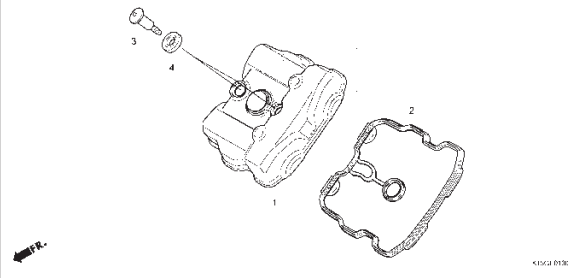


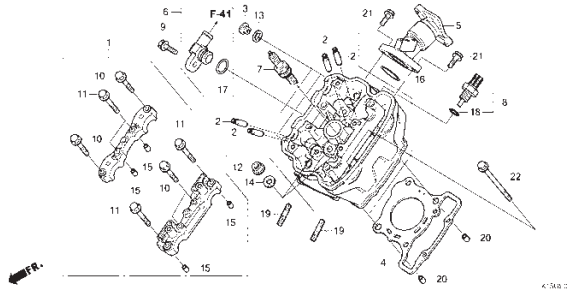
CB 150R

KELOMPOK MESIN

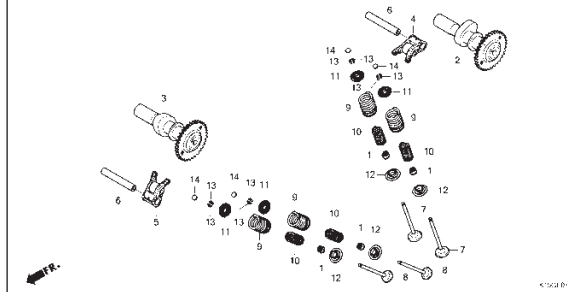
E-1 CYLINDER HEAD COVER



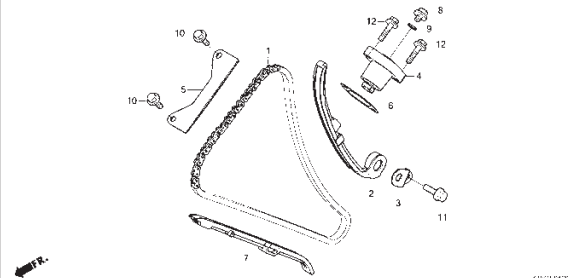
E-2 CYLINDER HEAD



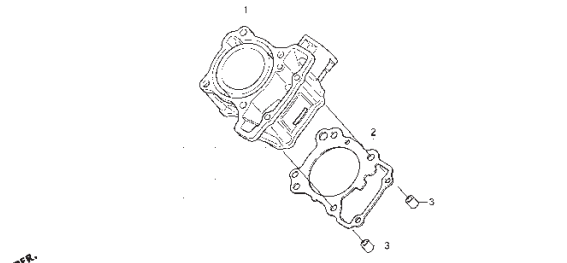
E-3 CAMSHAFT/VALVE



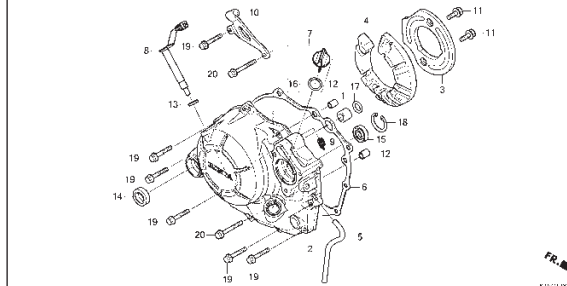
E-4 CAM CHAIN/TENSIONER



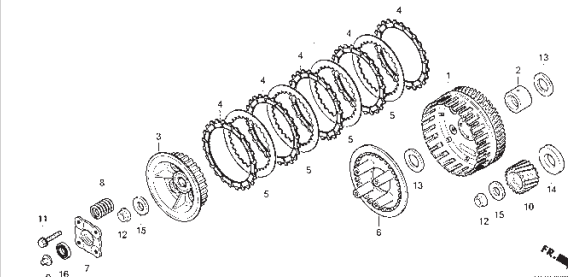
E-5 CYLINDER



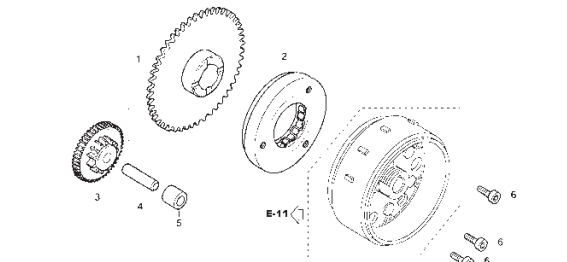
E-6 RIGHT CRANKCASE COVER



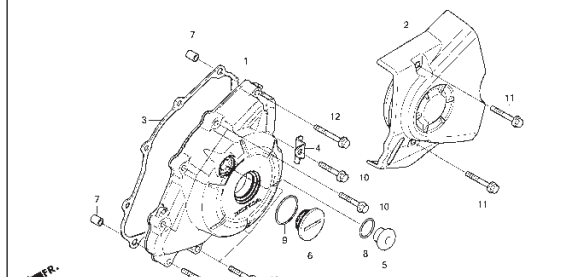
E-8 CLUTCH



E-9 STARTING CLUTCH



E-10 LEFT CRANKCASE COVER

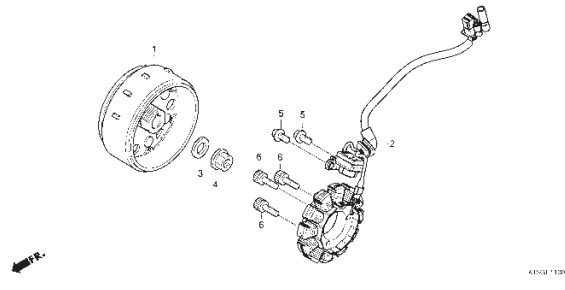


2

KELOMPOK MESIN

E-11

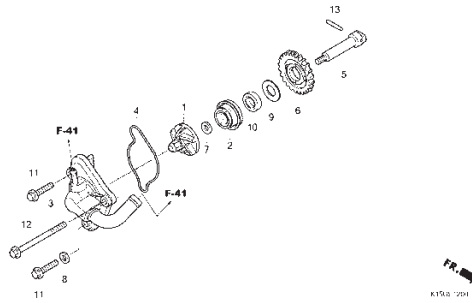
GENERATOR



K150-130

E-12

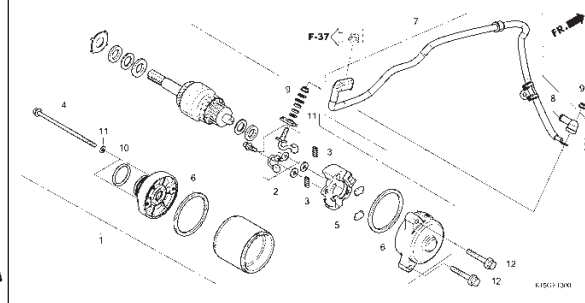
WATER PUMP



K150-131

E-13

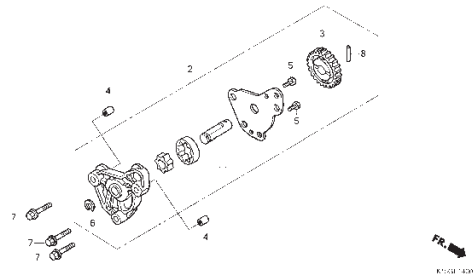
STARTER MOTOR



K150-130

E-14

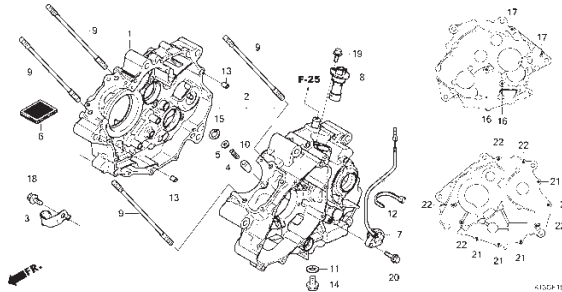
OIL PUMP



K150-130

E-15

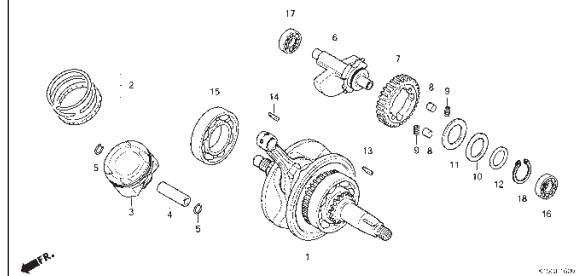
CRANKCASE



K150-130

E-16

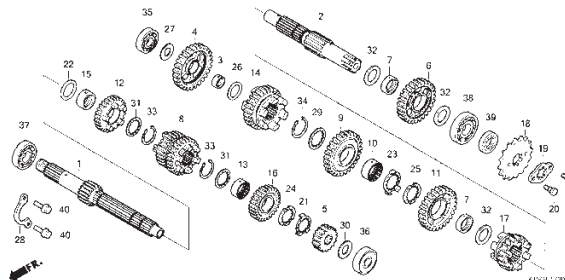
CRANKSHAFT/PISTON



K150-130

E-17

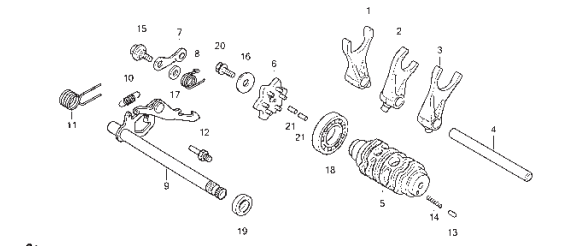
TRANSMISSION



K150-130

E-19

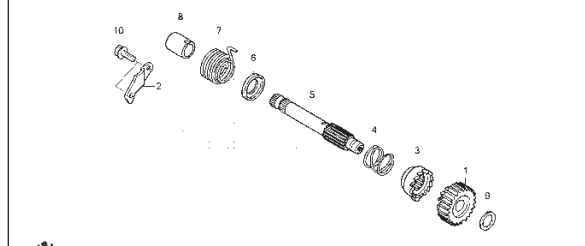
GEARSHIFT DRUM



K150-130

E-20

KICK STARTER SPINDLE

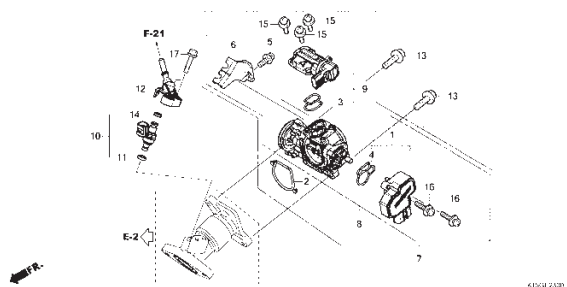


K150-130

2

KELOMPOK MESIN

E-23 THROTTLE BODY

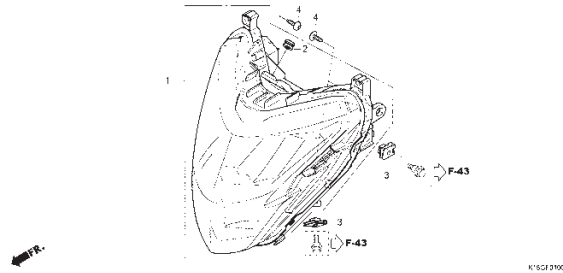


2

KELOMPOK RANGKA

F-1

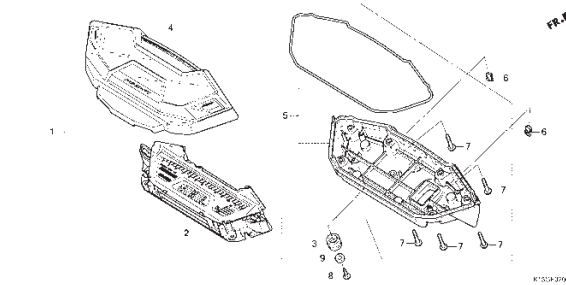
HEADLIGHT



K15GJ3196

F-2

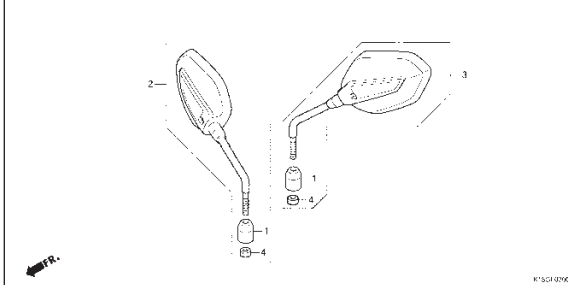
METER



K15GJ3196

F-3

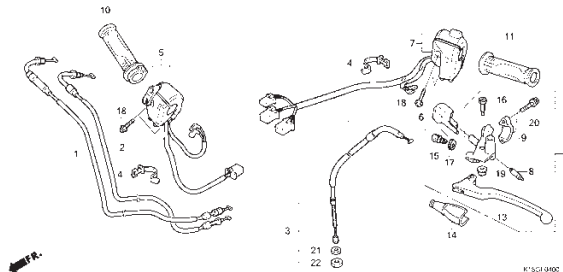
MIRROR



K15GJ3196

F-4

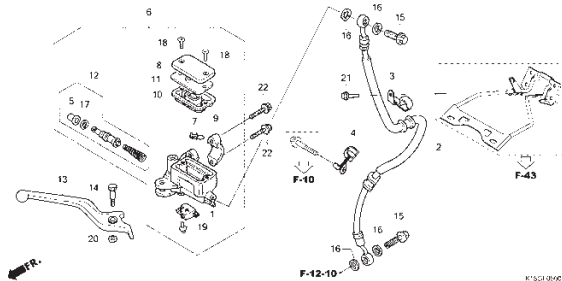
HANDLE LEVER/SWITCH/CABLE



K15GJ3196

F-5

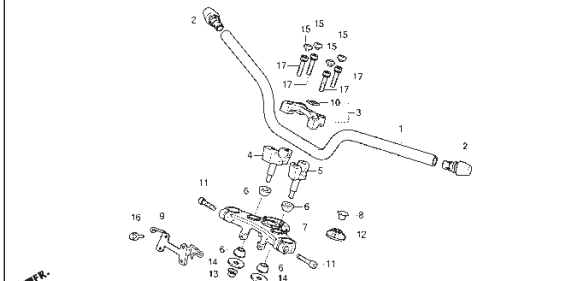
FRONT BRAKE MASTER CYLINDER



K15GJ3196

F-7

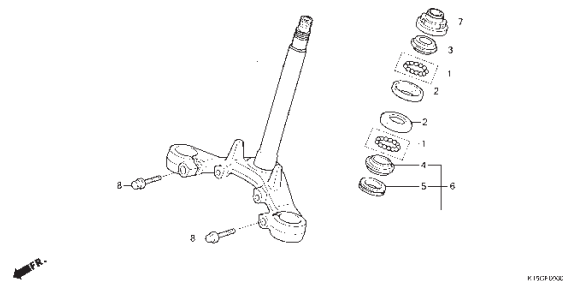
HANDLE PIPE/TOP BRIDGE



K15GJ3196

F-9

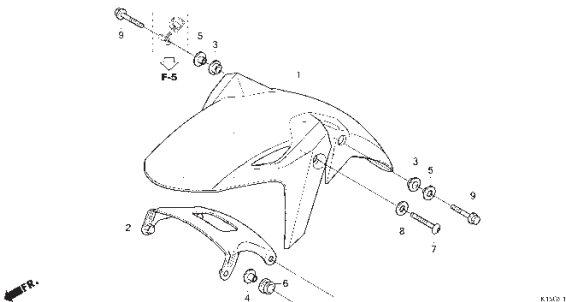
STEERING STEM



K15GJ3196

F-10

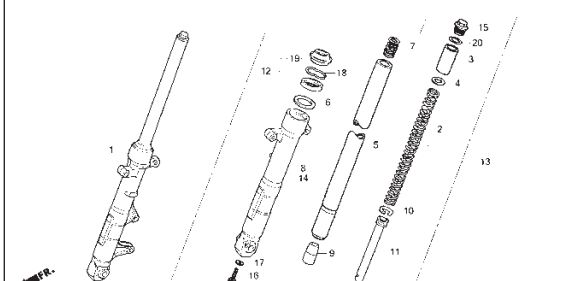
FRONT FENDER



K15GJ 1000

F-11

FRONT FORK

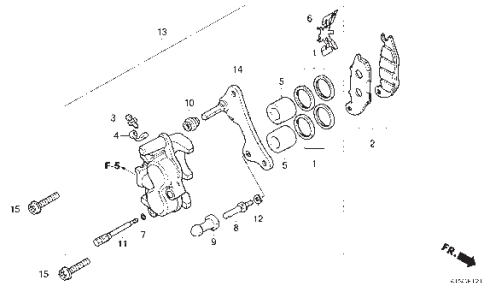


K15GJ 1000

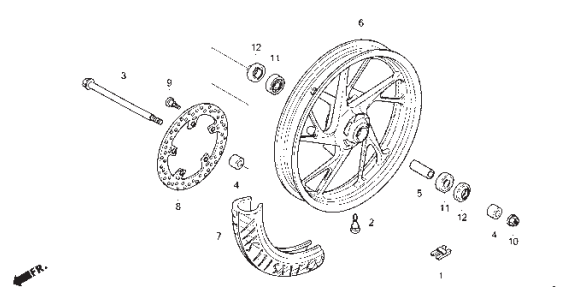
3

KELOMPOK RANGKA

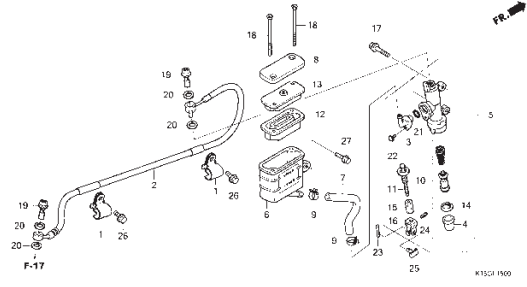
F-12-10 FRONT BRAKE CALIPER



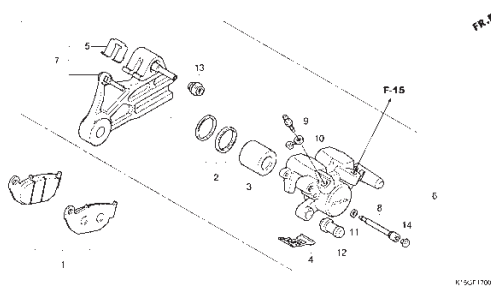
F-14-40 FRONT WHEEL



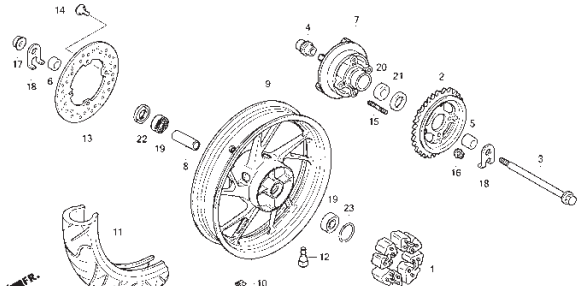
F-15 REAR BRAKE MASTER CYLINDER



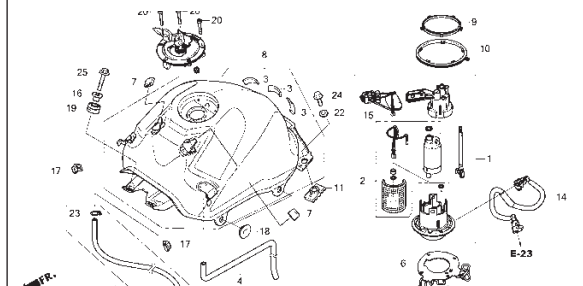
F-17 REAR BRAKE CALIPER



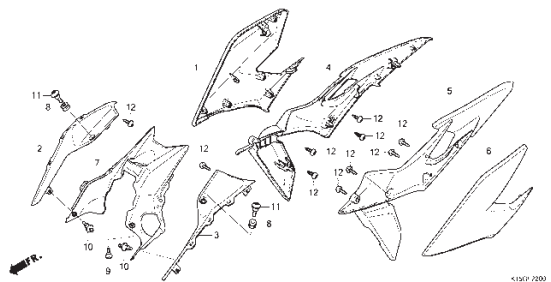
F-19-40 REAR WHEEL



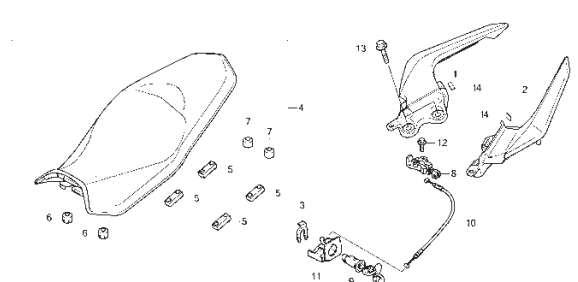
F-21 FUEL TANK



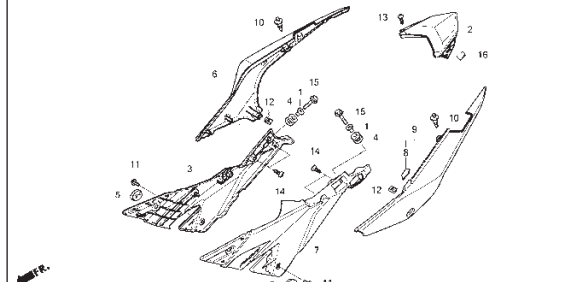
F-22 SHROUD



F-23 SEAT



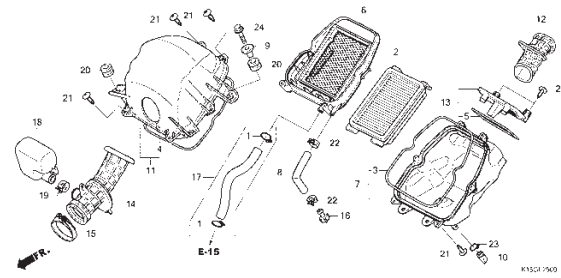
F-24 SIDE COWL



KELOMPOK RANGKA

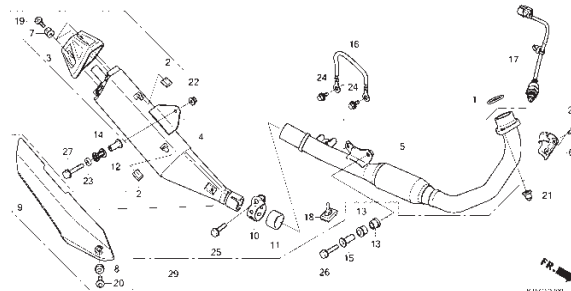
F-25

AIR CLEANER



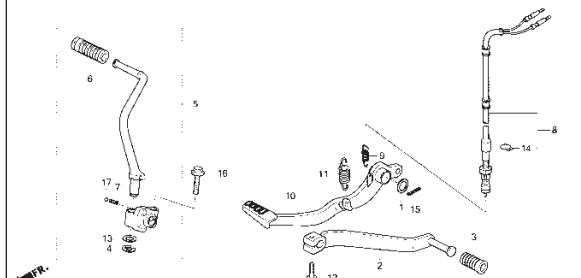
F-27

EXHAUST MUFFLER



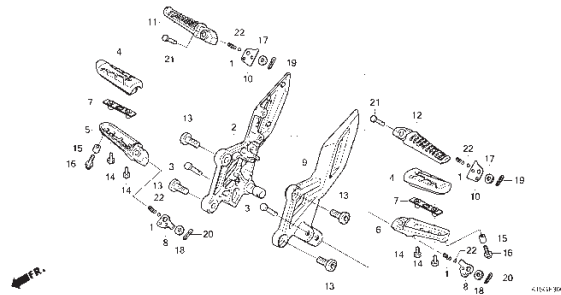
F-29

PEDAL



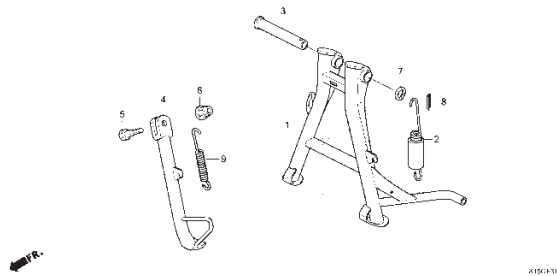
F-30

STEP



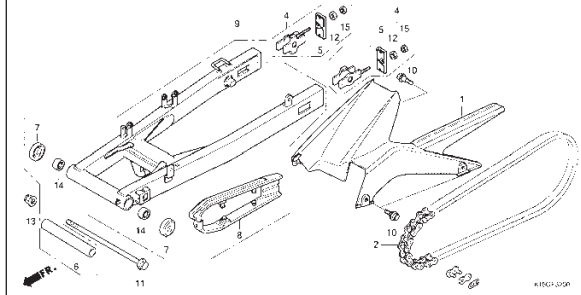
F-31

STAND



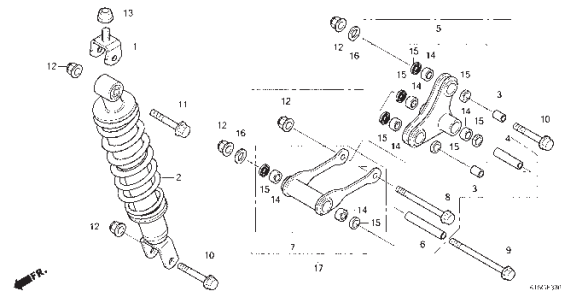
F-32

SWINGARM



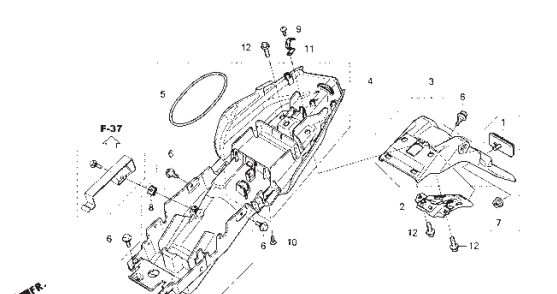
F-33

REAR CUSHION



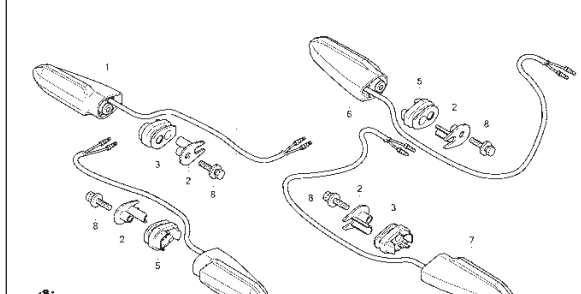
F-34

REAR FENDER

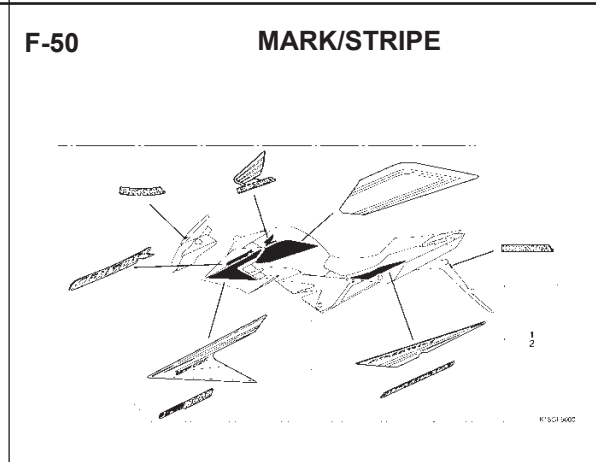
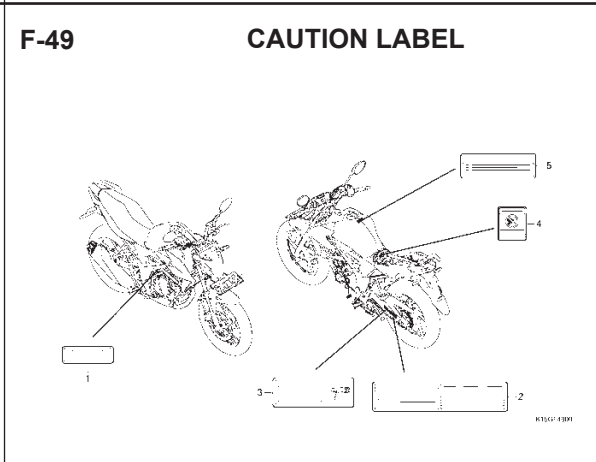
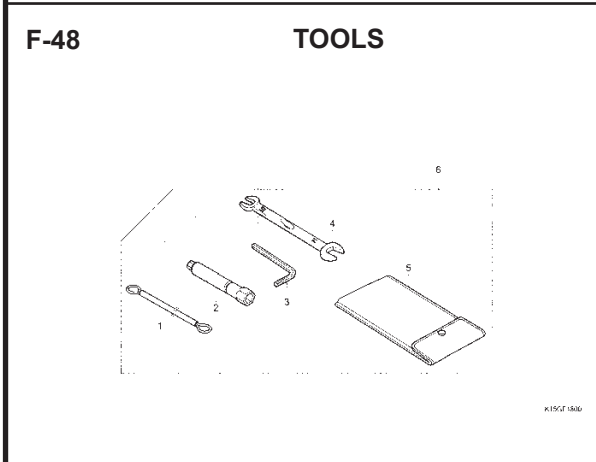
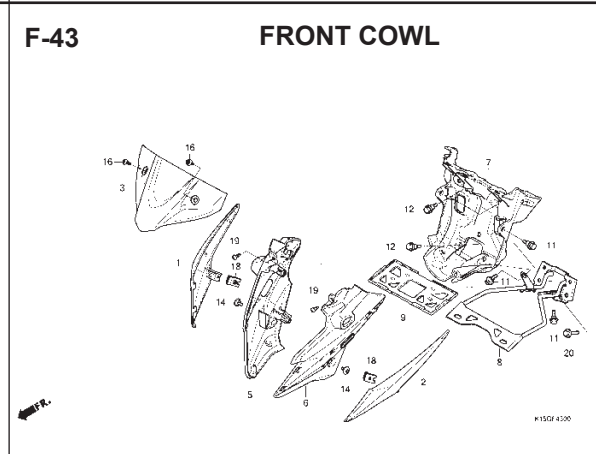
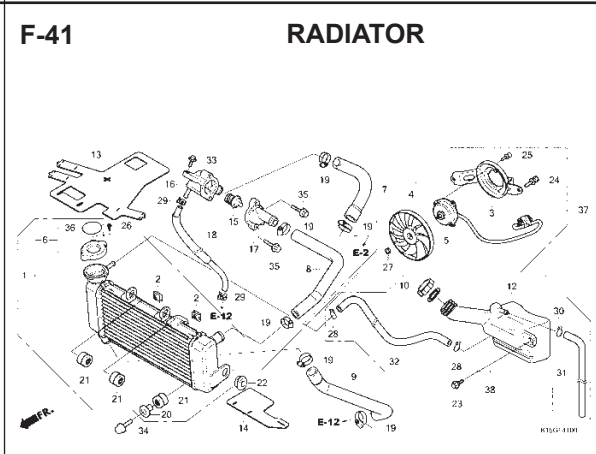
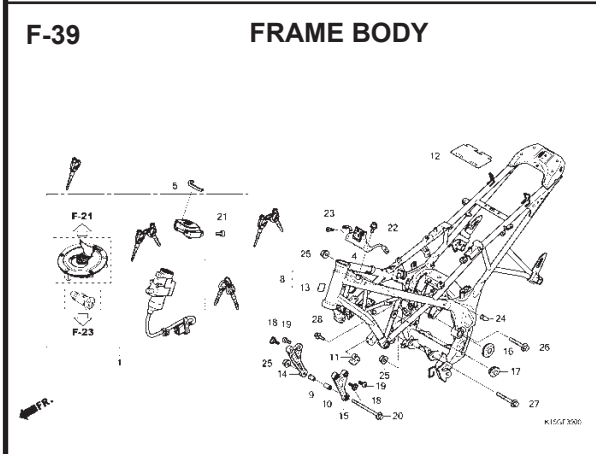
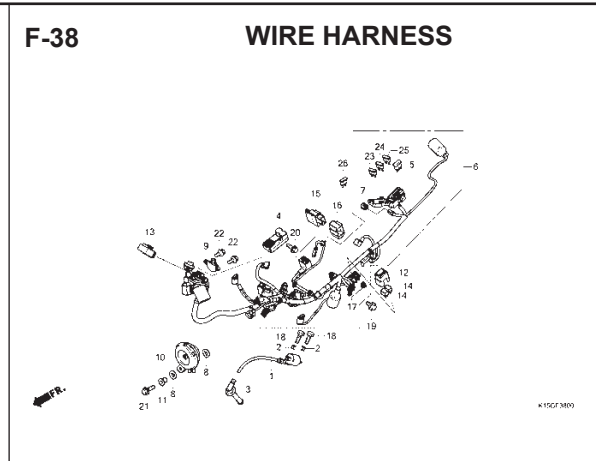
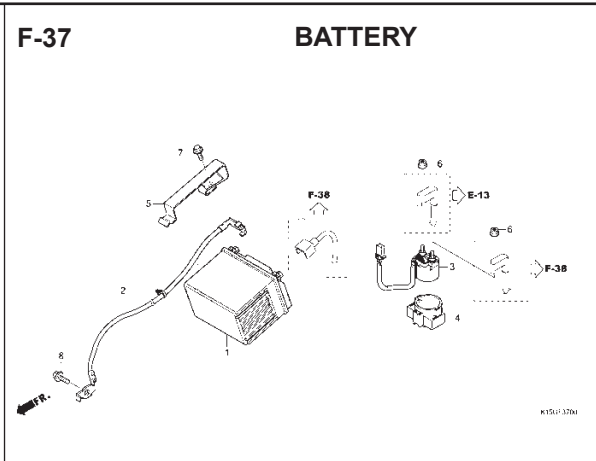
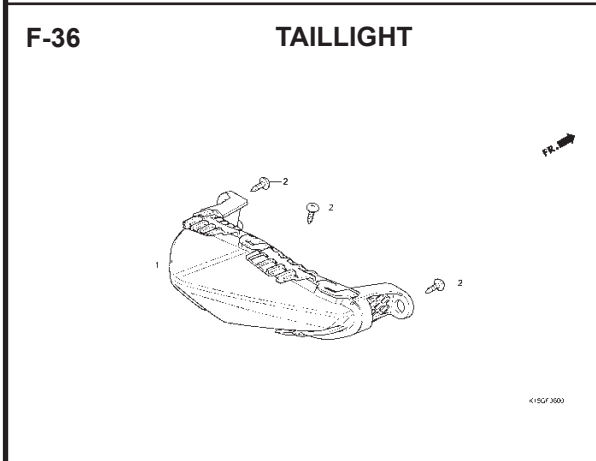


F-35

WINKER

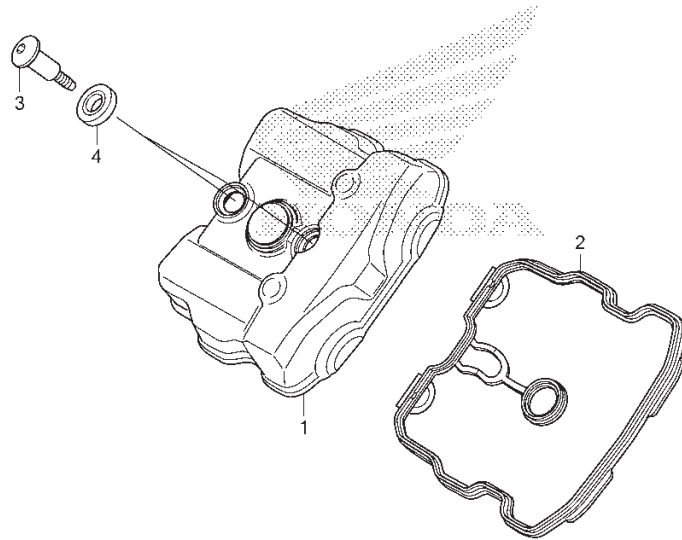


KELOMPOK RANGKA



E-1

CYLINDER HEAD COVER



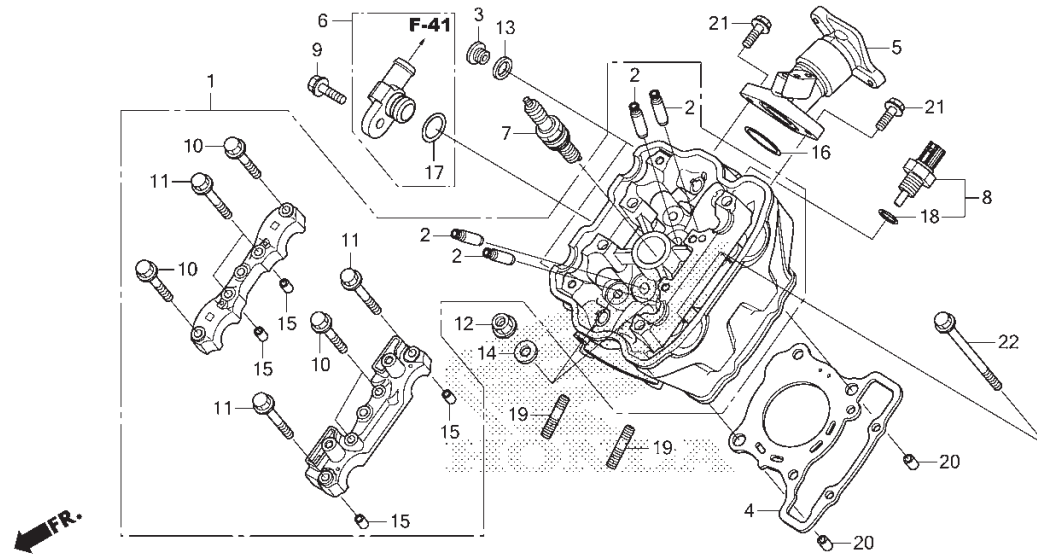
K15GE0100

No. Ref.	L.O.N.	(Nomor ref. relatif) Deskripsi	F.R.T.
1	1111C4	COVER, CYLINDER HEAD	1,0
2	1111D2	GASKET, CYLINDER HEAD COVER	1,0

No. Ref.	No. Part	Deskripsi	Jumlah CB150R (CB150R) 2015(G)	No. Seri	Kode Parts Catalog
1	12311-K56-N00	COVER, CYLINDER HEAD	1	-----	----- IN
2	12391-K56-N00	GASKET COMP., CYLINDER HEAD COVER	1	-----	-----
3	90017-KGH-900	BOLT, HEAD COVER	2	-----	-----
4	90543-MV9-671	RUBBER, MOUNTING	2	-----	-----

E-2

CYLINDER HEAD



K15GE0200

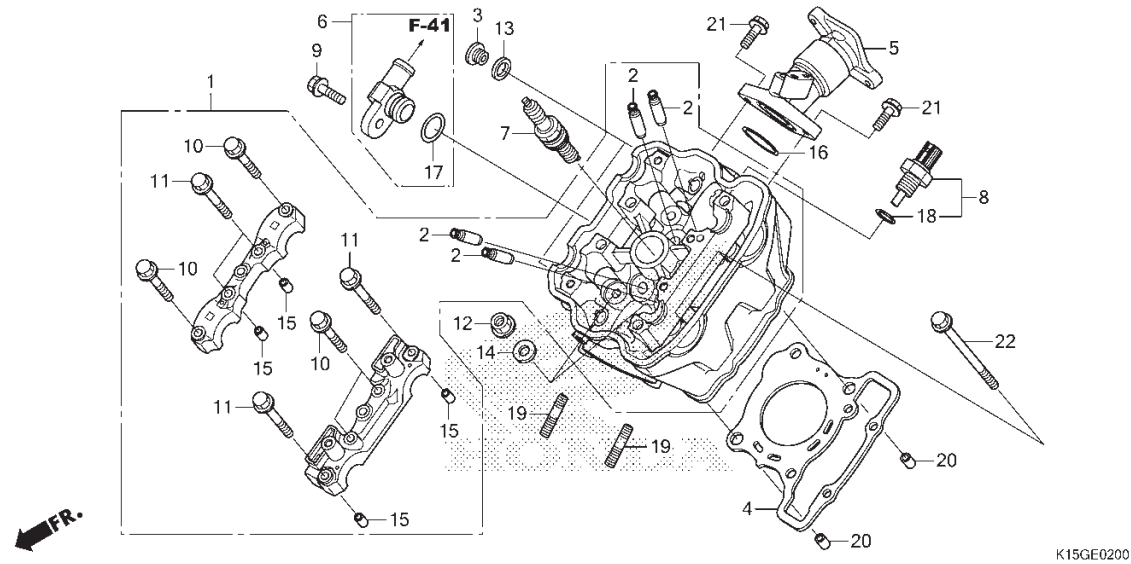
No. Ref.	L.O.N.	(Nomor ref. relatif) Deskripsi	F.R.T.
1	111106	HEAD, CYLINDER	3,6
2	1111L9	.TERMASUK: Peryetelan dan skir klep GUIDE, INTAKE VALVE(SATU)	3,2
	1111L9A	.TERMASUK: Reaming .TERMASUK: Peryetelan dan skir klep .Ganti semua intake valve guide tambahkan	0,3
	1111M0	GUIDE, EXHAUST VALVE(SATU)	3,2
	1111MOA	.TERMASUK: Reaming .TERMASUK: Peryetelan dan skir klep .Ganti semua exhaust valve guide tambahkan	0,3
	1111M9	GUIDE, VALVE :UNTUK 1 KENDARAAN . .TERMASUK: Reaming .TERMASUK: Peryetelan dan skir klep	4,1
4	111115	GASKET, CYLINDER HEAD	2,3
5	111107	(16) MANIFOLD, INTAKE	0,9
6	114150	(17) JOINT, WATER	0,4
7	614130	PLUG, SPARK	0,3
8	6171A9	(18) SENSOR, WATER TEMP	0,4

No. Ref.	No. Part	Deskripsi	Jumlah CB150R (CB150R) 2015(G)	No. Seri	Kode Parts Catalog
1	12010-K56-N00	HEAD ASSY., CYLINDER	1		
2	12205-KYJ-305	GUIDE, EX. VALVE(O.S.)	4		
3	12207-KYJ-900	BOLT, SEALING, 12MM	2		
4	12251-K56-N01	GASKET, CYLINDER HEAD (STD./0.25/0.50)	1		
	12251-K56-N02	GASKET, CYLINDER HEAD (STD./0.25/0.50)	1		
5	17111-K15-920	PIPE ASSY., IN.	1		
6	1906A-K15-900	JOINT ASSY., WATER	1		
7	31919-K25-601	PLUG, SPARK (MR9C-9N) (NG)	1		
	31919-K25-602	PLUG, SPARK (U27EPR-N9) (DS)	1		
8	37870-KZR-601	SENSOR ASSY., WATER TEMP	1		
9	90004-GHB-661	BOLT, FLANGE, 6X22	1		
10	90017-K56-N00	BOLT, FLANGE, 6X32	4		
11	90019-K56-N00	BOLT, FLANGE, 6X40	4		
12	90202-KGB-611	NUT, FLANGE, 8MM	4		
13	90418-KYJ-900	WASHER, 12.2X17X1.5	2		
14	90483-K15-900	WASHER, 8MM	4		
15	90702-KRM-840	DOWEL PIN, 8X14	4		
	94301-08141	4		
16	91301-K56-N00	O-RING, IN. PIPE	1		
17	91301-KV7-671	O-RING, 14.8X1.9	1		
18	91307-PLC-004	O-RING, 9.5X1.9	1		
19	92900-08025-0E	BOLT, STUD, 8X25	2		



E-2

CYLINDER HEAD



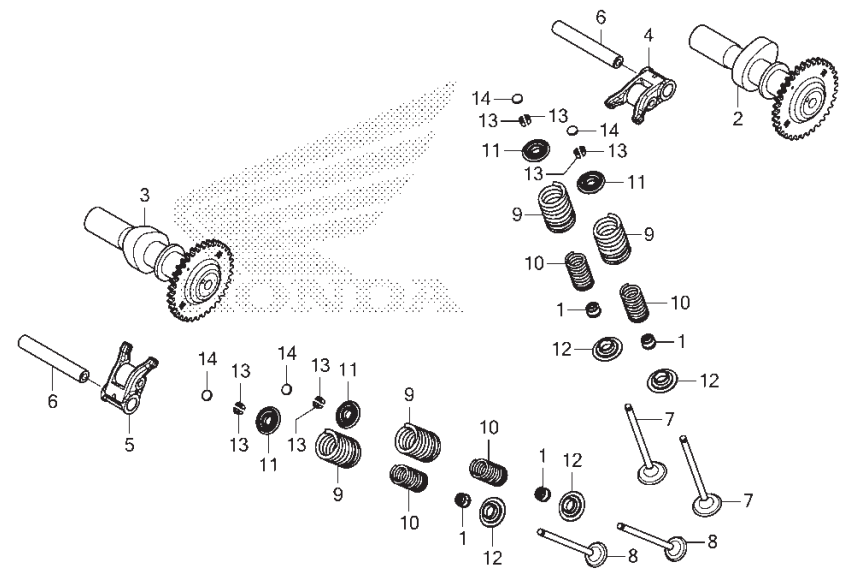
K15GE0200

No. Ref.	No. Part	Deskripsi	Jumlah CB150R (CB150R) 2015(G)	No. Seri	Kode Parts Catalog
20	94301-10120	DOWEL PIN, 10X12	2		
21	95701-06022-01	BOLT, FLANGE, 6X22	2		
22	95701-06115-00	BOLT, FLANGE, 6X115	2		

2

E-3

CAMSHAFT/VALVE



K15GE0300

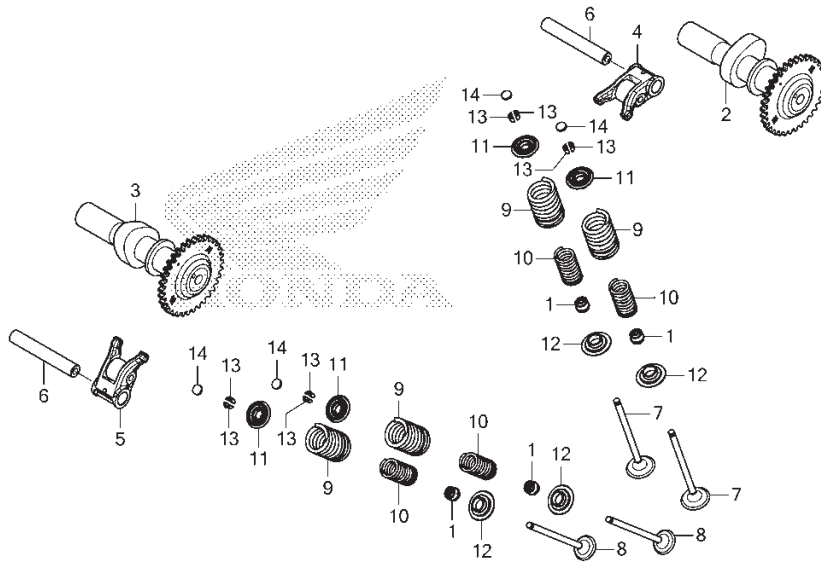
No. Ref.	L.O.N.	(Nomor ref. relatif) Deskripsi	F.R.T.
2	1111E5	CAMSHAFT :INTAKE	1,8
		.TERMASUK: Penyetelan renggang klep	
3	1111E6	CAMSHAFT :EXHAUST	1,8
		.TERMASUK: Penyetelan renggang klep	
	1111T4	CAMSHAFT :UNTUK 1 KENDARAAN	1,9
		.TERMASUK: Penyetelan renggang klep	
4	1111K8	ARM, INTAKE VALVE ROCKER(SATU) ..	1,7
		.TERMASUK: Penyetelan klep	
5	1111K9	ARM, EXHAUST VALVE ROCKER(SATU) .	1,7
		.TERMASUK: Penyetelan klep	
	1111L8	ARM, VALVE ROCKER :UNTUK 1 KENDARAAN	1,7
		.TERMASUK: Penyetelan klep	
7	1111N0	VALVE, INTAKE(SATU)	2,7
		.TERMASUK: Skir klep	
	1111NOA	.Ganti semua intake valve tambahkan	0,2
8	1111N1	VALVE, EXHAUST(SATU)	2,7
		.TERMASUK: Skir klep	
	1111N1A	.Ganti semua exhaust valve tambahkan	0,2
	1111P0	VALVE :UNTUK 1 KENDARAAN	3,3
		.TERMASUK: Skir klep (1,10,11,12,13)	
9			
+	1111P2	INTAKE VALVE SPRING DAN/ATAU	

No. Ref.	No. Part	Deskripsi	Jumlah CB150R (CB150R) 2015(G)	No. Seri	Kode Parts Catalog
1	12209-K56-N01	SEAL, VALVE STEM(NO)	4		
	12209-MLO-722	SEAL, VALVE STEM(AR)	4		
2	14110-K56-N00	CAMSHAFT COMP., IN.	1		
3	14210-K56-N00	CAMSHAFT COMP., EX.	1		
4	14430-K56-N00	ARM COMP., IN. VALVE ROCKER ...	1		
5	14440-K56-N00	ARM COMP., EX. VALVE ROCKER ...	1		
6	14451-K56-N00	SHAFT, ROCKER ARM	2		
7	14711-K56-N00	VALVE, IN.	2		
8	14721-K56-N00	VALVE, EX.	2		
9	14751-K56-N01	SPRING, VALVE OUTER	4		
10	14761-K56-N01	SPRING, VALVE INNER	4		
11	14771-MFL-000	RETAINER, VALVE SPRING	4		
12	14775-K56-N00	SEAT, VALVE SPRING	4		
13	14781-MLO-720	COTTER, VALVE	8		
14	14913-KT7-013	SHIM, TAPPET(1.500)	4		
	14914-KT7-013	SHIM, TAPPET(1.525)	4		
	14915-KT7-013	SHIM, TAPPET(1.550)	4		
	14916-KT7-013	SHIM, TAPPET(1.575)	4		
	14917-KT7-013	SHIM, TAPPET(1.600)	4		
	14918-KT7-013	SHIM, TAPPET(1.625)	4		
	14919-KT7-013	SHIM, TAPPET(1.650)	4		
	14920-KT7-013	SHIM, TAPPET(1.675)	4		
	14921-KT7-013	SHIM, TAPPET(1.700)	4		
	14922-KT7-013	SHIM, TAPPET(1.725)	4		
	14923-KT7-013	SHIM, TAPPET(1.750)	4		



E-3

CAMSHAFT/VALVE



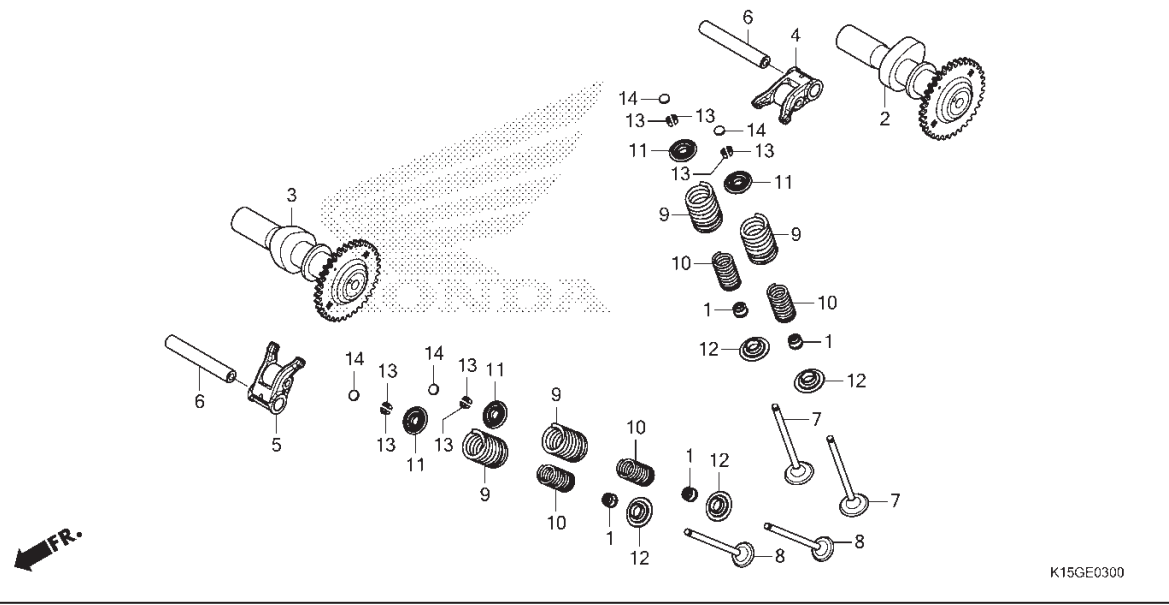
K15GE0300

No. Ref.	L.O.N.	(Nomor ref. relatif) Deskripsi	F.R.T.
+9		STEM SEAL(SATU)	2,5
1111P2A		.Ganti semua Intake spring tambahkan	0,1
1111P3		EXHAUST VALVE SPRING DAN/ATAU STEM SEAL(SATU)	2,5
1111P3A		.Ganti semua exhaust spring tambahkan	0,1
1111Q2		VALVE SPRING DAN/ATAU STEM SEAL :UNTUK 1 KENDARAAN	2,8

No. Ref.	No. Part	Deskripsi	Jumlah CB150R (CB150R) 2015(G)	No. Seri	Kode Parts Catalog
14)	14924-KT7-013	SHIM, TAPPET (1.775)	4		
	14925-KT7-013	SHIM, TAPPET (1.800)	4		
	14926-KT7-013	SHIM, TAPPET (1.825)	4		
	14927-KT7-013	SHIM, TAPPET (1.850)	4		
	14928-KT7-013	SHIM, TAPPET (1.875)	4		
	14929-KT7-013	SHIM, TAPPET (1.900)	4		
	14930-KT7-013	SHIM, TAPPET (1.925)	4		
	14931-KT7-013	SHIM, TAPPET (1.950)	4		
	14932-KT7-013	SHIM, TAPPET (1.975)	4		
	14933-KT7-013	SHIM, TAPPET (2.000)	4		
	14934-KT7-013	SHIM, TAPPET (2.025)	4		
	14935-KT7-013	SHIM, TAPPET (2.050)	4		
	14936-KT7-013	SHIM, TAPPET (2.075)	4		
	14937-KT7-013	SHIM, TAPPET (2.100)	4		
	14938-KT7-013	SHIM, TAPPET (2.125)	4		
	14939-KT7-013	SHIM, TAPPET (2.150)	4		
	14940-KT7-013	SHIM, TAPPET (2.175)	4		
	14941-KT7-013	SHIM, TAPPET (2.200)	4		
	14942-KT7-013	SHIM, TAPPET (2.225)	4		
	14943-KT7-013	SHIM, TAPPET (2.250)	4		
	14944-KT7-013	SHIM, TAPPET (2.275)	4		
	14945-KT7-013	SHIM, TAPPET (2.300)	4		
	14946-KT7-013	SHIM, TAPPET (2.325)	4		
	14947-KT7-013	SHIM, TAPPET (2.350)	4		
	14948-KT7-013	SHIM, TAPPET (2.375)	4		
	14949-KT7-013	SHIM, TAPPET (2.400)	4		
	14950-KT7-013	SHIM, TAPPET (2.425)	4		

E-3

CAMSHAFT/VALVE

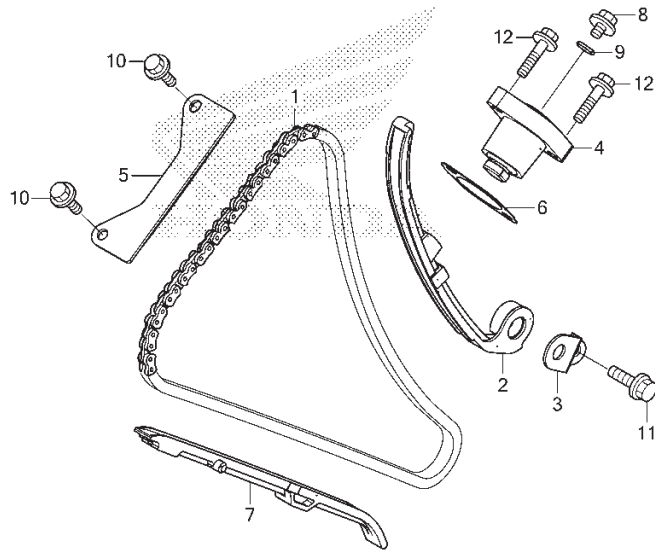


2

No. Ref.	No. Part	Deskripsi	Jumlah CB150R (CB150R) 2015(G)	No. Seri	Kode Parts Catalog
14)	14951-KT7-013	SHIM, TAPPET (2.450)	4		
	14952-KT7-013	SHIM, TAPPET (2.475)	4		
	14953-KT7-013	SHIM, TAPPET (2.500)	4		
	14954-KT7-013	SHIM, TAPPET (2.525)	4		
	14955-KT7-013	SHIM, TAPPET (2.550)	4		
	14956-KT7-013	SHIM, TAPPET (2.575)	4		
	14957-KT7-013	SHIM, TAPPET (2.600)	4		
	14958-KT7-013	SHIM, TAPPET (2.625)	4		
	14959-KT7-013	SHIM, TAPPET (2.650)	4		
	14960-KT7-013	SHIM, TAPPET (2.675)	4		
	14961-KT7-013	SHIM, TAPPET (2.700)	4		
	14962-KT7-013	SHIM, TAPPET (2.725)	4		
	14963-KT7-013	SHIM, TAPPET (2.750)	4		
	14964-KT7-013	SHIM, TAPPET (2.775)	4		
	14965-KT7-013	SHIM, TAPPET (2.800)	4		
	14966-KT7-013	SHIM, TAPPET (2.825)	4		
	14967-KT7-013	SHIM, TAPPET (2.850)	4		
	14968-KT7-013	SHIM, TAPPET (2.875)	4		
	14969-KT7-013	SHIM, TAPPET (2.900)	4		

E-4

CAM CHAIN/TENSIONER

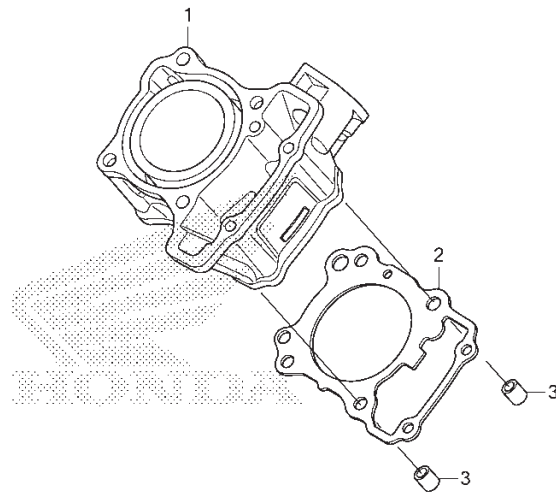


No. Ref.	L.O.N.	(Nomor ref. relatif) Deskripsi	F.R.T.
1	110140	CHAIN, CAM	2,1
2	111130	TENSIONER, CAM CHAIN	2,1
4		(6)	
	111133	LIFTER, TENSIONER	0,1
5	1111G9	GUIDE B, CAM CHAIN	1,0
7	111139	GUIDE, CAM CHAIN	2,3

No. Ref.	No. Part	Deskripsi	Jumlah CB150R (CB150R) 2015(G)	No. Seri	Kode Parts Catalog
1	14401-K56-N01	CHAIN, CAM(120L)	1		
2	14510-K56-N00	TENSIONER COMP., CAM CHAIN	1		
3	14515-K56-N00	PLATE, TENSIONER SETTING	1		
4	14520-KPP-T01	LIFTER ASSY., TENSIONER	1		
5	14546-K56-N00	GUIDE B, CAM CHAIN	1		
6	14560-KSP-910	GASKET, TENSIONER LIFTER	1		
7	14611-K56-N00	GUIDE A, CAM CHAIN	1		
8	90005-K56-N00	BOLT, FLANGE, 6X6	1		
9	91306-MG3-001	O-RING, 1.5X9.5	1		
10	95701-06014-0	BOLT, FLANGE, 6X14	2		
11	96001-06014-00	BOLT, FLANGE, 6X14	1		
12	96001-06022-00	BOLT, FLANGE, 6X22	2		

E-5

CYLINDER



K15GE0500

No. Ref.	L.O.N.	(Nomor ref. relatif) Deskripsi	F.R.T.
1	1111A5	CYLINDER	2,5
2	111102	GASKET, CYLINDER	2,4

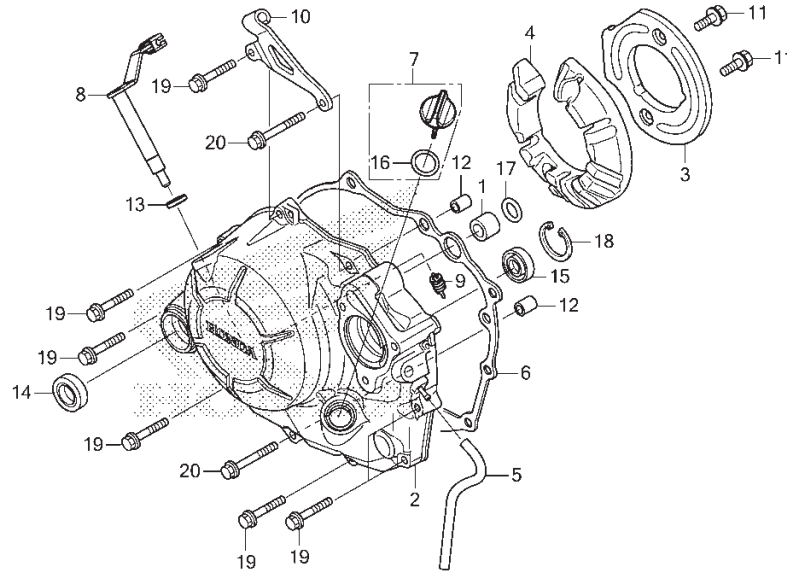
FR.

No. Ref.	No. Part	Deskripsi	Jumlah CB150R (CB150R) 2015(G)	No. Seri	Kode Parts Catalog
1	12100-K56-N00	CYLINDER COMP.	1		
2	12191-K56-N01	GASKET, CYLINDER	1		
3	94301-10120	DOWEL PIN, 10X12	2		

2

E-6

RIGHT CRANKCASE COVER

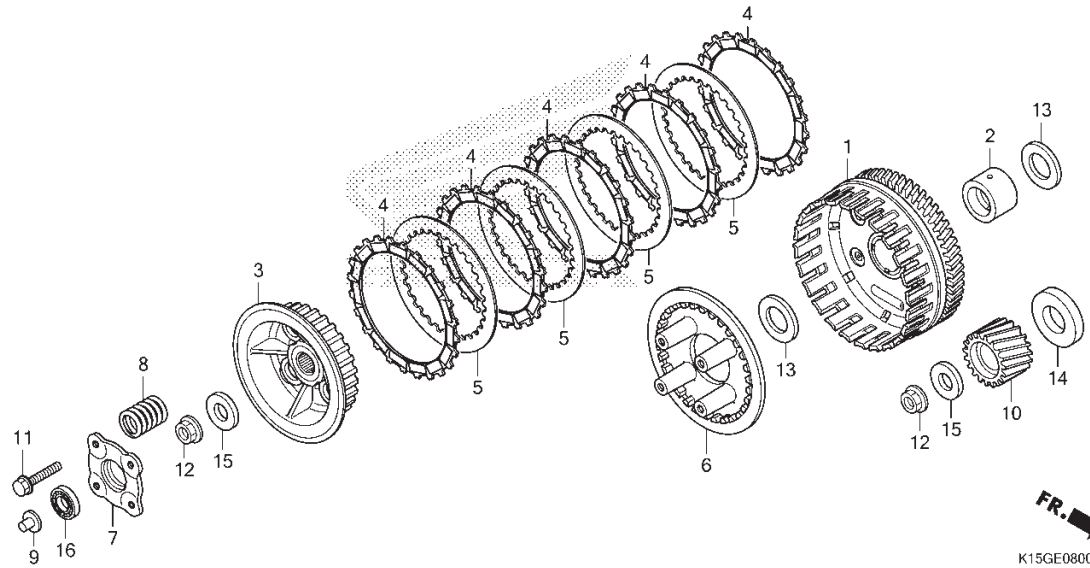


No. Ref.	L.O.N.	(Nomor ref. relatif) Deskripsi	F.R.T.
2	110159	COVER, CRANKCASE :RIGHT	1,4
6		(17)	
6	110158	GASKET, CRANKCASE COVER :RIGHT ..	0,8
8		(13)	
8	2121A7	LEVER, CLUTCH	0,8
14	112105	OIL SEAL, KICK STARTER SPINDLE ..	0,9
15	1101K3	OIL SEAL, CRANKCASE COVER :RIGHT	0,9

No. Ref.	No. Part	Deskripsi	Jumlah CB150R (CB150R) 2015(G)	No. Seri	Kode Parts Catalog
1	11102-K56-N00	COLLAR, WATER PASS, 13X8	1		
2	11330-K56-N00	COVER COMP., R. CRANKCASE	1	-----	----- IN
3	11333-KGH-901	PLATE, R. COVER	1		
4	11334-K56-N00	RUBBER, R. COVER	1		
5	11336-K15-920	TUBE, WATER DRAIN	1	-----	----- IN
6	11394-K56-N00	GASKET, R. CRANKCASE COVER	1		
7	1565A-K15-920	GAUGE ASSY., OIL LEVEL	1		
8	22810-K56-N00	LEVER COMP., CLUTCH	1		
9	22815-KM7-700	SPRING, CLUTCH LEVER	1		
10	22821-K56-N00	RECEIVER, CLUTCH CABLE	1		
11	90001-K56-N00	BOLT, FLANGE, 6X14	2		
12	90702-HC4-001	DOWEL PIN, 8X16	2		
13	91202-KSP-911	OIL SEAL, 12X18X4	1		
14	91204-MC7-003	OIL SEAL, 16X28X7	1		
15	91205-KF0-005	OIL SEAL, 12X20X5	1		
16	91307-035-001	O-RING, 18X3	1		
17	91322-K56-N00	O-RING, 12.8X1.8	1		
18	94520-22000	CIRCLIP, INTERNAL, 22MM	1		
19	96001-06030-00	BOLT, FLANGE, 6X30	7		
20	96001-06040-00	BOLT, FLANGE, 6X40	2		

E-8

CLUTCH



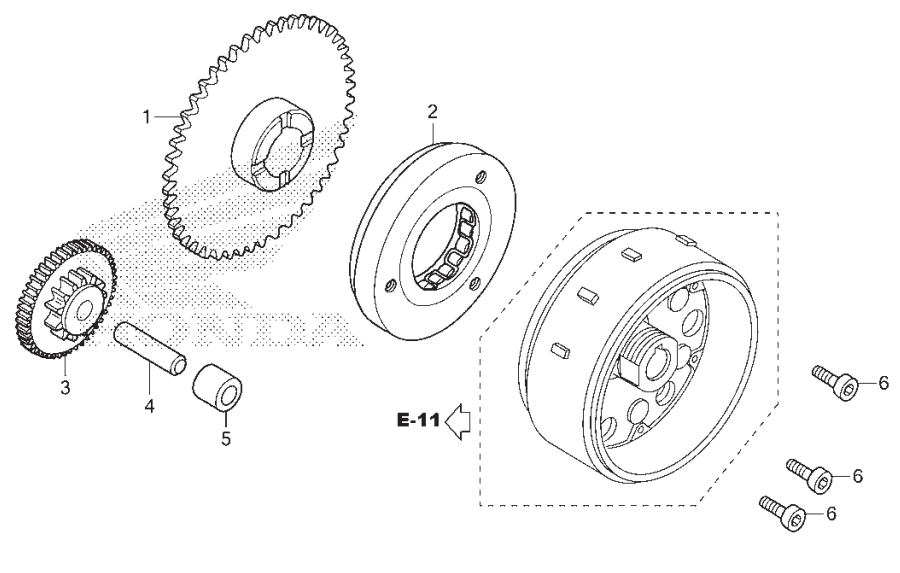
No. Ref.	L.O.N.	(Nomor ref. relatif) Deskripsi	F.R.T.
1	2121A0	OUTER, CLUTCH	1,1
3	212112	CENTER, CLUTCH	1,0
4		(5)	
4	2121A1	DISC, CLUTCH FRICTION	1,1
		.CATATAN: Waktu sama untuk dua unit atau lebih	
6	2121A3	PLATE, CLUTCH PRESSURE	1,1
7	2121A4	PLATE, CLUTCH LIFTER	0,9
8	212107	SPRING, CLUTCH	0,9
		.CATATAN: Waktu sama untuk dua unit atau lebih	
9	2121B6	ROD, CLUTCH LIFTER	0,8
10	211105	GEAR, PRIMARY DRIVE	1,5
16	2121B4	BEARING, CLUTCH LIFTER	0,8

No. Ref.	No. Part	Deskripsi	Jumlah CB150R (CB150R) 2015(G)	No. Seri	Kode Parts Catalog
1	22100-K56-N01	OUTER COMP., CLUTCH(75T)	1		
2	22105-K56-N00	GUIDE, CLUTCH OUTER	1		
3	22121-K56-N01	CENTER, CLUTCH	1		
4	22201-K56-N01	DISK, CLUTCH FRICTION	5		
5	22321-KWW-742	PLATE, CLUTCH	4		
6	22350-K56-N01	PLATE, CLUTCH PRESSURE	1		
7	22361-K56-N01	PLATE, CLUTCH LIFTER	1		
8	22401-K56-N01	SPRING, CLUTCH	4		
9	22849-K15-900	ROD, CLUTCH LIFTER	1		
10	23121-K56-N00	GEAR A, PRIMARY DRIVE(23T) (WHITE)	1		
	23122-K56-N00	GEAR B, PRIMARY DRIVE(23T) (BLUE)	1		
	23123-K56-N00	GEAR C, PRIMARY DRIVE(23T) (YELLOW)	1		
11	90008-KT7-001	BOLT, FLANGE, 6X25	4		
12	90202-KRM-840	NUT, SPECIAL FLANGE, 14MM	2		
13	90401-KY4-902	WASHER, PLAIN, 17MM	2		
14	90434-K56-N00	WASHER, 20MM	1		
15	90462-KWW-740	WASHER, 14.1MM	2		
16	91007-KE1-003	BEARING, RADIAL BALL, 6903	1		



E-9

STARTING CLUTCH



No. Ref.	L.O.N.	(Nomor ref. relatif) Deskripsi	F.R.T.
----------	--------	-----------------------------------	--------

1	612120	GEAR, STARTER DRIVEN	0,7
2	612131	OUTER, STARTING CLUTCH	0,8
3	612125	GEAR, STARTER REDUCTION	0,7

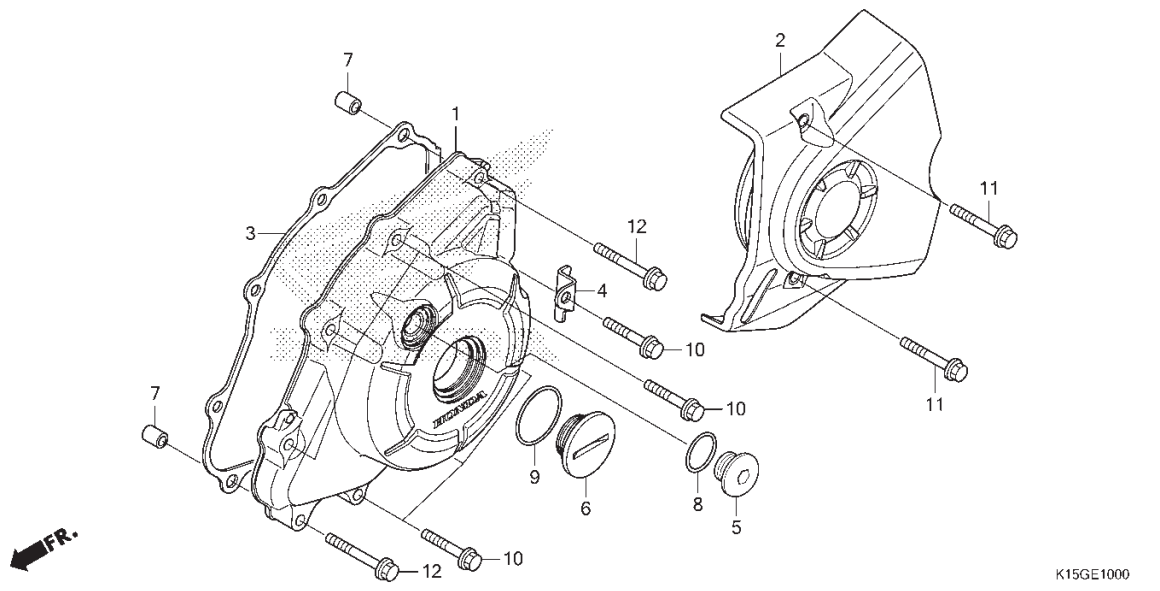
K15GE0900

No. Ref.	No. Part	Deskripsi	Jumlah CB150R(CB150R) 2015(G)	No. Seri	Kode Parts Catalog
----------	----------	-----------	-------------------------------------	----------	--------------------

1	28110-KGH-911	GEAR COMP., STARTER DRIVEN (53T)	1		
2	28125-HC3-017	OUTER COMP., STARTING CLUTCH ..	1		
3	28131-K15-901	GEAR, STARTER REDUCTION (13T/53T)	1		
4	28132-KGH-911	SHAFT, REDUCTION GEAR	1		
5	28133-KPP-901	COLLAR, STARTER REDUCTION	1		
6	90010-KM1-001	BOLT, SOCKET, 8X18	3		

E-10

LEFT CRANKCASE COVER



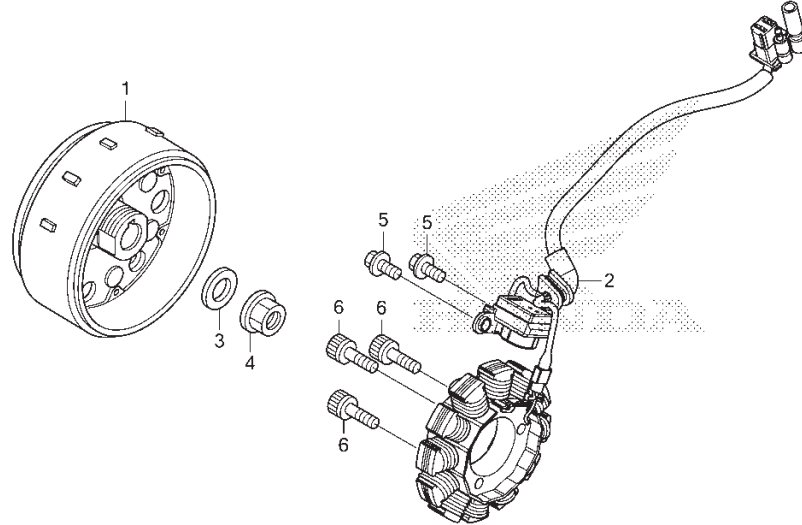
No. Ref.	L.O.N.	(Nomor ref. relatif) Deskripsi	F.R.T.
1	1101A6	COVER, CRANKCASE :LEFT	0,7
2	1101B0	COVER, CRANKCASE :LEFT REAR.....	0,1
3	1101A3	GASKET, CRANKCASE COVER :LEFT ...	0,6

No. Ref.	No. Part	Deskripsi	Jumlah CB150R (CB150R) 2015(G)	No. Seri	Kode Parts Catalog
1	11341-K56-N00	COVER, L. CRANKCASE	1	----- IN	
2	11360-K15-920	COVER COMP., L. RR.	1		
3	11395-K56-N00	GASKET, L. CRANKCASE COVER	1		
4	32123-K56-N00	GUARD, CHANGE SWITCH CORD	1		
5	90084-K03-N30	CAP, 14MM	1		
6	90087-KGH-900	CAP, 30MM	1		
7	90702-KFM-901	DOWEL PIN, 8X12	2		
8	91323-K56-N00	O-RING, 13.8X2.4	1		
9	91356-KWV-000	O-RING, 30MM	1		
10	96001-06030-00	BOLT, FLANGE, 6X30	7		
11	96001-06035-00	BOLT, FLANGE, 6X35	2		
12	96001-06040-00	BOLT, FLANGE, 6X40	2		



E-11

GENERATOR



No. Ref.	L.O.N.	(Nomor ref. relatif) Deskripsi	F.R.T.
1	613105	ROTOR ATAU FLYWHEEL	0,8
2	6131A3	STATOR	0,8

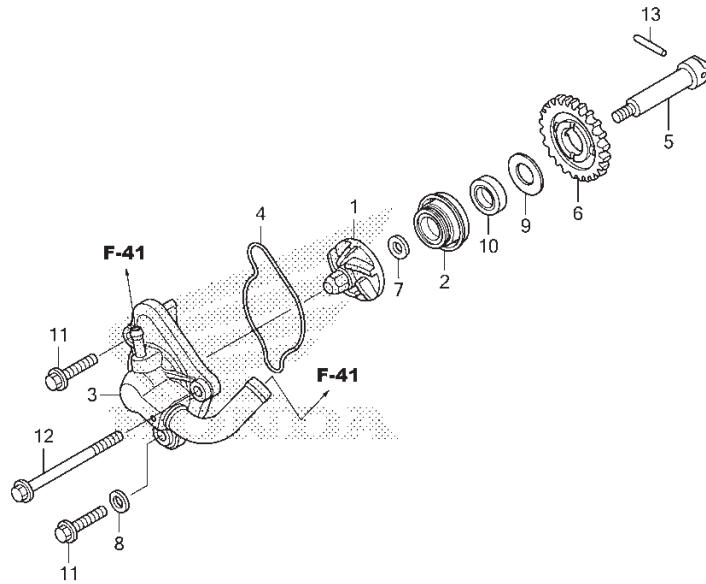
FR. ←

K15GE1100

No. Ref.	No. Part	Deskripsi	Jumlah CB150R (CB150R) 2015(G)	No. Seri	Kode Parts Catalog
1	31110-K15-921	FLYWHEEL COMP.	1		
2	31120-K15-921	STATOR COMP.	1		
3	90439-KWZ-900	WASHER, 12X24X2.3	1		
4	94050-12001	NUT, FLANGE, 12MM	1		
5	96001-06016-00	BOLT, FLANGE, 6X16	2		
6	96600-06025-00	BOLT, SOCKET, 6X25	3		

E-12

WATER PUMP



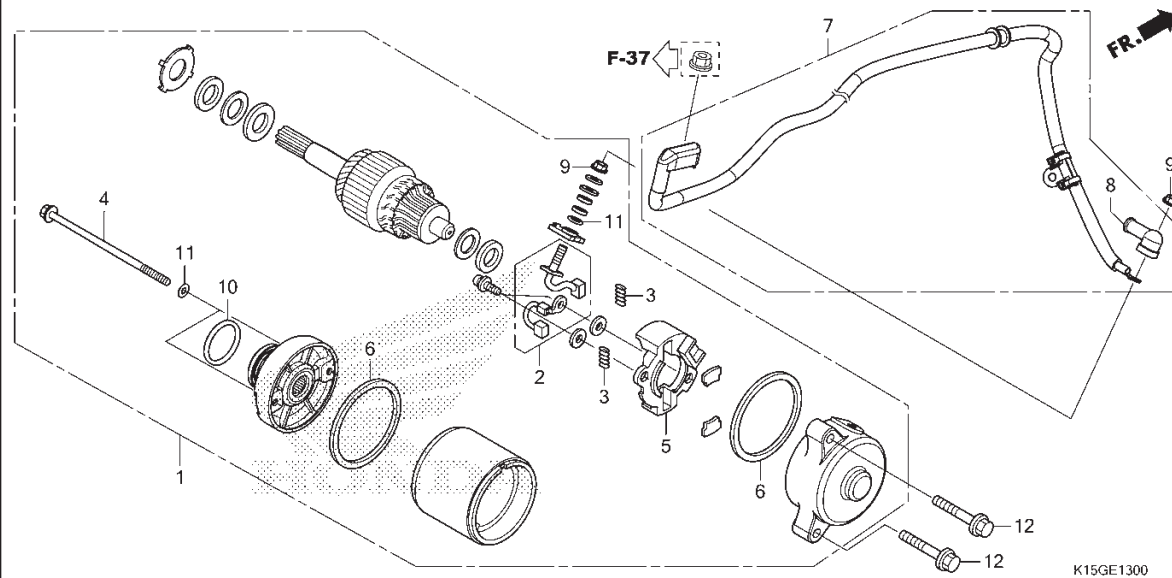
FR. →
K15GE1200

No. Ref.	L.O.N.	(Nomor ref. relatif) Deskripsi	F.R.T.
1	114105	IMPELLER, WATER PUMP	0,8
2	114110	(10) MECHANICAL SEAL, WATER PUMP	1,1
3	1141B0	(4) COVER, WATER PUMP	0,3
5	1141E7	SHAFT, WATER PUMP	0,9
6	114142	SPROCKET ATAU GEAR, WATER PUMP DRIVEN	0,9

No. Ref.	No. Part	Deskripsi	Jumlah CB150R (CB150R) 2015(G)	No. Seri	Kode Parts Catalog
1	19215-KGH-901	IMPELLER, WATER PUMP	1		
2	19217-P72-014	SEAL, MECHANICAL	1		
3	19220-K15-920	COVER COMP., WATER PUMP	1	-----	----- IN
4	19226-K56-N00	GASKET, WATER PUMP	1		
5	19241-K56-N00	SHAFT, WATER PUMP	1		
6	19242-K56-N00	GEAR, WATER PUMP DRIVEN(25T) ..	1		
7	90423-KW6-900	WASHER, 7X13X1.2	1		
8	90463-ML7-000	WASHER, SEALING, 6.5MM	1		
9	90608-072-001	WASHER, 12MM	1		
10	91205-KF0-005	OIL SEAL, 12X20X5	1		
11	96001-06022-00	BOLT, FLANGE, 6X22	2		
12	96001-06065-00	BOLT, FLANGE, 6X65	1		
13	96220-40238	ROLLER, 4X23.8	1		

E-13

STARTER MOTOR



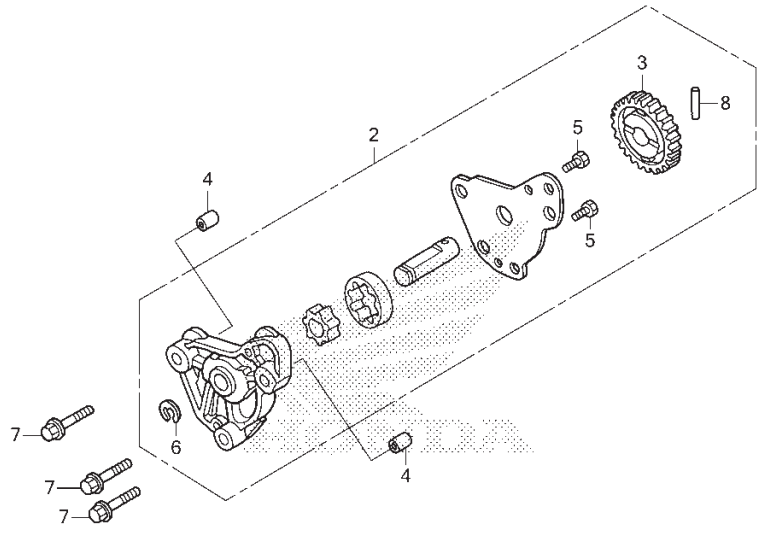
No. Ref.	L.O.N.	(Nomor ref. relatif) Deskripsi	F.R.T.
1		(10) MOTOR, STARTING	0,3
2	612105	TERMINAL, BRUSH (STARTER)	0,5
7	612115	CABLE, STARTER MOTOR	0,7

2

No. Ref.	No. Part	Deskripsi	Jumlah CB150R (CB150R) 2015(G)	No. Seri	Kode Parts Catalog
1	31200-K56-N01	MOTOR ASSY., STARTER	1		
2	31201-KPT-A01	TERMINAL SET, BRUSH	1		
3	31204-KG8-004	SPRING, CARBON BRUSH	2		
4	31205-KTC-921	BOLT, SETTING	2		
5	31206-KPP-T01	HOLDER, BRUSH	1		
6	31207-MBE-009	RING	2		
7	32410-K15-920	CABLE, STARTER MOTOR	1		
8	32411-253-001	COVER, STARTER MOTOR TERMINAL ..	1		
9	90071-MB0-001	NUT-WASHER, 6MM	2		
10	91309-425-004	O-RING, 24.4X3.1	1		
11	91320-MB0-000	O-RING, 4X2	3		
12	95701-06028-01	BOLT, FLANGE, 6X28	2		

E-14

OIL PUMP



FR. →
K15GE1400

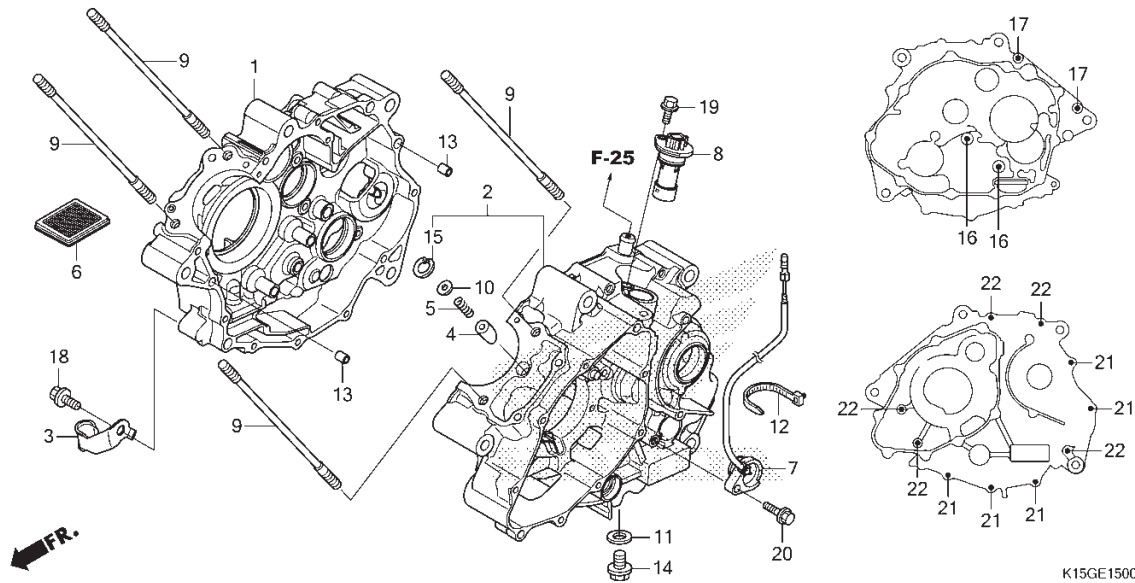
No. Ref.	L.O.N.	(Nomor ref. relatif) Deskripsi	F.R.T.
2	113105	PUMP ASSY., OIL	0,8
3	1131C4	GEAR, OIL PUMP DRIVEN	0,9

No. Ref.	No. Part	Deskripsi	Jumlah CB150R (CB150R) 2015(G)	No. Seri	Kode Parts Catalog
2	15100-KPP-T01	OIL PUMP ASSY.	1		
3	15133-KPP-T00	GEAR, OIL PUMP DRIVEN(25T)	1		
4	90702-KFM-901	DOWEL PIN, 8X12	2		
5	93301-05012-0J	BOLT, HEX., 5X12	2		
6	94540-06018	E-RING, 6MM	1		
7	95701-06035-00	BOLT, FLANGE, 6X35	3		
8	96220-40238	ROLLER, 4X23.8	1		



E-15

CRANKCASE



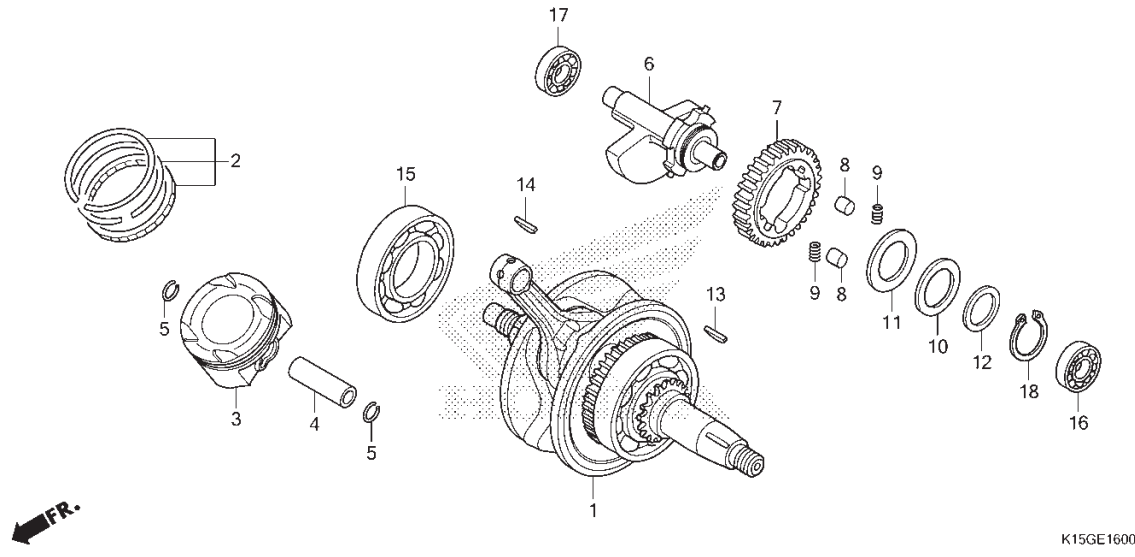
No. Ref.	L.O.N.	(Nomor ref. relatif) Deskripsi	F.R.T.
1	110120	CRANKCASE :RIGHTTERMASUK: Penurunan dan pemasangan mesin	6,6
2	110115	CRANKCASE :LEFTTERMASUK: Penurunan dan pemasangan mesin	6,0
	1101A2	CRANKCASE :KEDUA-DUANYATERMASUK: Penurunan dan pemasangan mesin	7,4
6	1131B5	SCREEN, OIL FILTER	0,8
7	615125	SWITCH, GEAR CHANGE	0,3
8	617198	SENSOR, SPEEDOMETER	0,2

2

No. Ref.	No. Part	Deskripsi	Jumlah CB150R (CB150R) 2015(G)	No. Seri	Kode Parts Catalog
1	11100-K56-305	CRANKCASE COMP., R.	1		
2	11200-K56-305	CRANKCASE SET, L.	1		
3	11335-K15-920	CLAMPER, TUBE	1	-----	----- IN
4	14521-KPP-900	PLUG, BEARING PUSH	1		
5	14531-KPP-900	SPRING, BEARING PUSH	1		
6	15421-KSP-910	SCREEN, OIL FILTER	1		
7	35759-K15-921	CONTACT ASSY., NEUTRAL SWITCH ..	1		
8	37700-K56-N01	SENSOR ASSY., SPEED	1		
9	90031-K56-N00	BOLT, CYLINDER STUD	4		
10	90403-KPP-900	WASHER, 3X11X1.0	1		
11	90407-259-000	PACKING, DRAIN COCK, 12.5X20 ..	1		
12	90673-SK7-A01	BAND, HARNESS(BLACK)	1		
13	90701-HC4-000	DOWEL PIN, 8X12	2		
14	92800-12000	BOLT, DRAIN PLUG, 12MM	1		
15	94520-12000	CIRCLIP, INTERNAL, 12MM	1		
16	95701-06035-00	BOLT, FLANGE, 6X35	2		
17	95701-06065-00	BOLT, FLANGE, 6X65	2		
18	96001-06014-00	BOLT, FLANGE, 6X14	1	-----	----- IN
19	96001-06016-00	BOLT, FLANGE, 6X16	1		
20	96001-06018-00	BOLT, FLANGE, 6X18	1		
21	96001-06040-00	BOLT, FLANGE, 6X40	5		
22	96001-06065-00	BOLT, FLANGE, 6X65	5		

E-16

CRANKSHAFT/PISTON



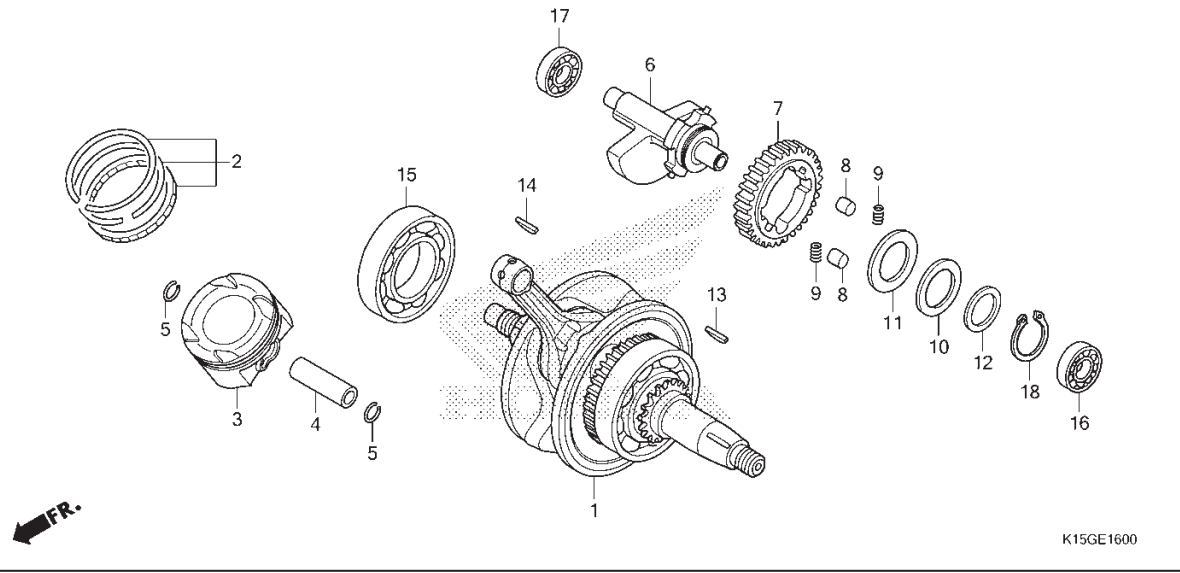
No. Ref.	L.O.N.	(Nomor ref. relatif) Deskripsi	F.R.T.
1	1101B5	CRANKSHAFTTERMASUK: Penurunan dan pemasangan mesin (2,4,5)	5,5
3	111103	PISTON RING DAN/ATAU PISTON(SATU)	2,6
6	110185	SHAFT, BALANCERTERMASUK: Penurunan dan pemasangan mesin (8,9)	5,5
7	1101L5	GEAR, BALANCER DRIVENTERMASUK: Penurunan dan pemasangan mesin	5,5
15	1101B7	BEARING, CRANKSHAFT :RIGHTTERMASUK: Penurunan dan pemasangan mesin	5,7
16	1101G3	BEARING, BALANCER SHAFT :LEFTTERMASUK: Penurunan dan pemasangan mesin	5,5
17	1101G4	BEARING, BALANCER SHAFT :RIGHT .. .TERMASUK: Penurunan dan pemasangan mesin	5,7
	1101G5	BEARING, BALANCER SHAFT :KEDUA-DUANYATERMASUK: Penurunan dan pemasangan mesin	5,9

No. Ref.	No. Part	Deskripsi	Jumlah CB150R (CB150R) 2015(G)	No. Seri	Kode Parts Catalog
1	13000-K56-N00	CRANKSHAFT COMP.	1		
2	13011-K56-N00	RING SET, PISTON(STD.)	1		
	13021-K56-N00	RING SET, PISTON(O.S. 0.25) ...	(1)		
	13031-K56-N00	RING SET, PISTON(O.S. 0.50) ...	(1)		
3	13101-K56-N00	PISTON(STD.)	1		
	13102-K56-N00	PISTON(O.S. 0.25)	(1)		
	13103-K56-N00	PISTON(O.S. 0.50)	(1)		
4	13111-K56-N00	PIN, PISTON	1		
5	13115-KZY-701	CLIP, PISTON PIN, 14MM	2		
6	13420-K56-N00	WEIGHT COMP., BALANCER	1		
7	13422-KPP-862	GEAR A, BALANCER DRIVEN(43T) (WHITE)	1		
	13423-KPP-860	GEAR B, BALANCER DRIVEN(43T) (BLUE)	1		
	13424-KPP-860	GEAR C, BALANCER DRIVEN(43T) (YELLOW)	1		
8	13425-KGH-900	RUBBER, BALANCER DUMPER(IK) ...	2		
	13425-KWC-900	RUBBER, BALANCER DUMPER(TT) ...	2		
9	13427-KPP-860	SPRING, BALANCER GEAR	2		
10	13538-KGH-901	SPRING, THRUST	1		
11	90401-KPP-900	WASHER, 28.2X45X1.0	1		
12	90402-KRM-840	WASHER, 28.1X36X1.8	1		
13	90741-KFB-001	KEY, WOODRUFF, 4MM	1		
14	90741-KGH-900	KEY, WOODRUFF, 4MM	1		
15	91001-KPP-901	BEARING, R. RADIAL BALL SPECIAL, 6207	1		



E-16

CRANKSHAFT/PISTON

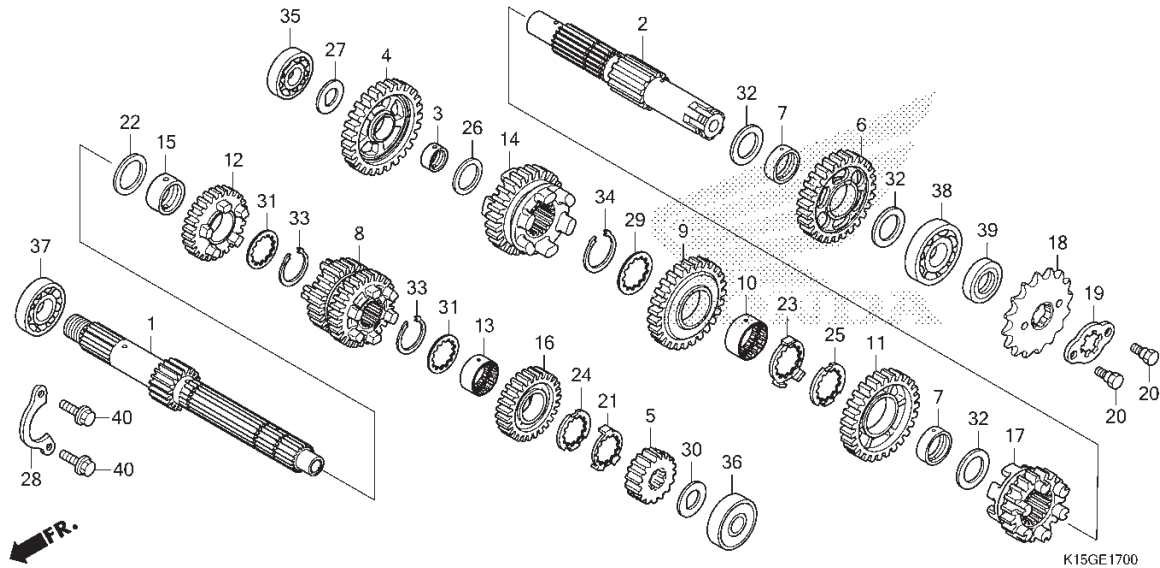


No. Ref.	No. Part	Deskripsi	Jumlah CB150R (CB150R) 2015(G)	No. Seri	Kode Parts Catalog
----------	----------	-----------	--------------------------------------	----------	--------------------

16	91003-KPP-931	BEARING, RADIAL BALL, 6201	1		
17	91008-K56-N01	BEARING, RADIAL BALL, 6301	1		
18	94510-28000	CIRCLIP, EXTERNAL, 28MM	1		

E-17

TRANSMISSION



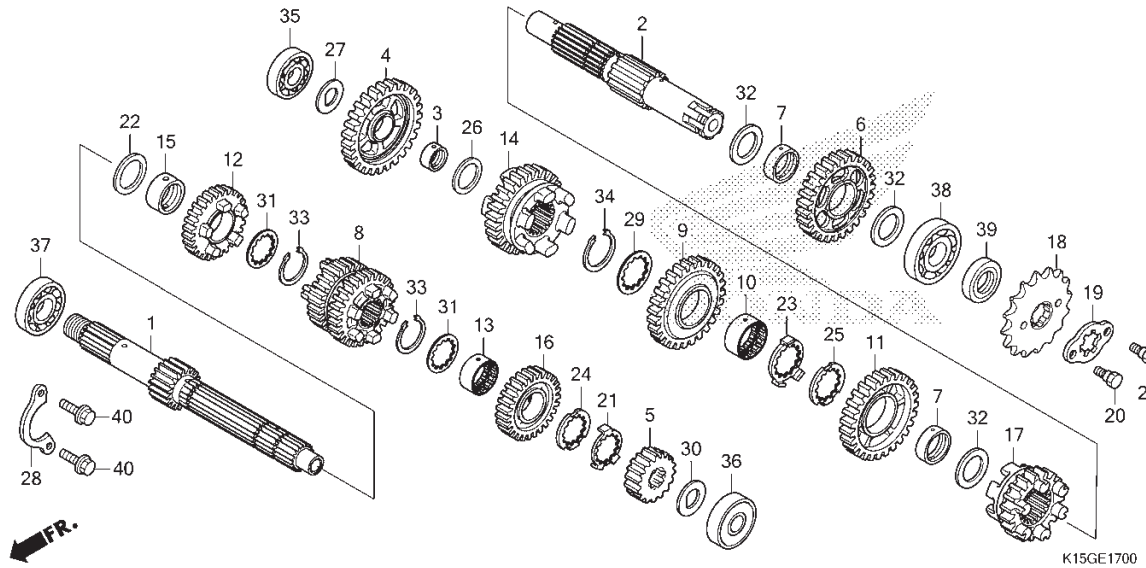
No. Ref.	L.O.N.	(Nomor ref. relatif) Deskripsi	F.R.T.
1	210141	(5,8,12,16) MAINSHAFT, TRANSMISSION.....	5,6
	210141A	.TERMASUK: Penurunan dan pemasangan mesin	
2	210142	.Ganti countershaft tambahkan... (4,6,9,11,14,17) COUNTERSHAFT, TRANSMISSION.....	0,1 5,6
	210142A	.TERMASUK: Penurunan dan pemasangan mesin	
	210142A	.Ganti mainshaft tambahkan.....	0,1
18	213135	SPROCKET, DRIVE.....	0,2
35	2101C8	BEARING, COUNTERSHAFT :RIGHT	5,7
		.TERMASUK: Penurunan dan pemasangan mesin.....	
36	2101C2	BEARING, MAINSHAFT :LEFT	5,5
		.TERMASUK: Penurunan dan pemasangan mesin.....	
37	2101C5	BEARING, MAINSHAFT :RIGHT	5,7
		.TERMASUK: Penurunan dan pemasangan mesin.....	
	2101C6	BEARING, MAINSHAFT :KEDUA-DUANYA	5,9
		.TERMASUK: Penurunan dan pemasangan mesin.....	
+38	2101C7	BEARING, COUNTERSHAFT :LEFT	5,5

No. Ref.	No. Part	Deskripsi	Jumlah CB150R (CB150R) 2015(G)	No. Seri	Kode Parts Catalog
1	23211-K56-N00	MAINSHAFT(12T)	1		
2	23221-K56-N00	COUNTERSHAFT	1		
3	23415-HB3-001	BUSH, 15MM	1		
4	23421-K56-N00	GEAR, COUNTERSHAFT FIRST(37T) .	1		
5	23431-K56-N00	GEAR, MAINSHAFT SECOND(17T) ...	1		
6	23441-K56-N00	GEAR, COUNTERSHAFT SECOND(33T)	1		
7	23442-K56-N00	BUSH, 20MM	2		
8	23451-K56-N00	GEAR, MAINSHAFT THIRD & FOURTH (20T/22T)	1		
9	23461-K56-N00	GEAR, COUNTERSHAFT THIRD(30T) .	1		
10	23465-K56-N00	BUSH, SPLINE, 20MM	1		
11	23481-K56-N00	GEAR, COUNTERSHAFT FOURTH(27T)	1		
12	23491-K56-N00	GEAR, MAINSHAFT FIFTH(24T)	1		
13	23492-KSP-910	COLLAR, SPLINE, 17X20X11	1		
14	23501-K56-N00	GEAR, COUNTERSHAFT FIFTH(25T) .	1		
15	23502-KTY-D30	BUSH, 20MM	1		
16	23511-K56-N00	GEAR, MAINSHAFT SIXTH(26T)	1		
17	23521-K56-N00	GEAR, COUNTERSHAFT SIXTH(24T) .	1		
18	23801-KBP-901	SPROCKET, DRIVE(15T)	1		
19	23811-KR3-600	PLATE A2, FIXING	1		
20	90084-041-000	BOLT, DRIVE SPROCKET FIXING ...	2		
21	90401-K56-N00	WASHER, LOCK, 17MM	1		
22	90401-KTY-D30	WASHER, THRUST, 17MM	1		



E-17

TRANSMISSION



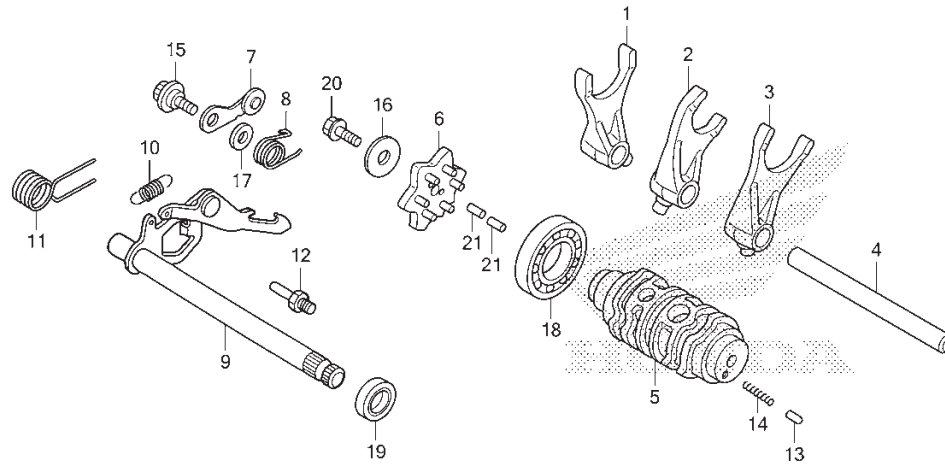
No. Ref.	L.O.N.	(Nomor ref. relatif) Deskripsi	F.R.T.
+38		.TERMASUK: Penurunan dan pemasangan mesin	
2101C9		BEARING, COUNTERSHAFT :KEDUA-DUANYA	5,9
2101D4		.TERMASUK: Penurunan dan pemasangan mesin BEARING, MAINSHAFT DAN COUNTERSHAFT :SEMUA	6,1
39	2101G7	OIL SEAL, COUNTERSHAFT :LEFTTERMASUK: Penurunan dan pemasangan mesin	5,5

No. Ref.	No. Part	Deskripsi	Jumlah CB150R (CB150R) 2015(G)	No. Seri	Kode Parts Catalog
23	90401-KVK-900	WASHER, LOCK, 20X19X1.0	1		
24	90402-K56-N00	WASHER, SPLINE, 17MM	1		
25	90402-KVK-900	WASHER, THRUST, 20X19X1.0	1		
26	90412-187-001	WASHER, THRUST, 15MM	1		
27	90412-K56-N00	WASHER, SPECIAL, 15MM	1		
28	90441-KW7-931	PLATE, BEARING HOLDER	1		
29	90451-K56-N00	WASHER, SPLINE, 20MM	1		
30	90452-KGH-901	WASHER, SPECIAL, 12MM	1		
31	90452-KRM-840	WASHER, SPLINE, 17X23X1.6	2		
32	90454-KPH-900	WASHER, 25X20.2X1	3		
33	90601-KRM-840	CIRCLIP, 17MM	2		
34	90605-KVS-900	SET RING, 20MM	1		
35	91004-K56-N01	BEARING, RADIAL BALL, 6202U ...	1		
36	91005-K56-N01	BEARING, RADIAL BALL, 6201U ...	1		
37	91006-K56-N01	BEARING, RADIAL BALL, 6203 (SK)	1		
	91006-K56-N02	BEARING, RADIAL BALL, 6203 (FK)	1		
38	91010-K56-N01	BEARING, RADIAL BALL, 6204	1		
39	91216-KGH-902	OIL SEAL, 20X34X7	1		
40	95701-06014-0	BOLT, FLANGE, 6X14	2		

2

E-19

GEARSHIFT DRUM



No. Ref.	L.O.N.	(Nomor ref. relatif) Deskripsi	F.R.T.
1	210112	(2,3) FORK, GEARSHIFT	5,5
		.TERMASUK: Penurunan dan pemasangan mesin .CATATAN: Waktu sama untuk dua unit atau lebih	
5	2101A9	DRUM, GEARSHIFT	5,5
		.TERMASUK: Penurunan dan pemasangan mesin	
6	2101D6	PLATE, GEARSHIFT DRUM STOPPER ...	0,8
7	210125	STOPPER ATAU SPRING, SHIFT DRUM (8)	0,8
9	210122	SPINDLE, GEARSHIFT	1,3
18	2101C3	BEARING, GEARSHIFT DRUM	5,7
		.TERMASUK: Penurunan dan pemasangan mesin	
19	1101F9	OIL SEAL, GEARSHIFT SPINDLE	1,3



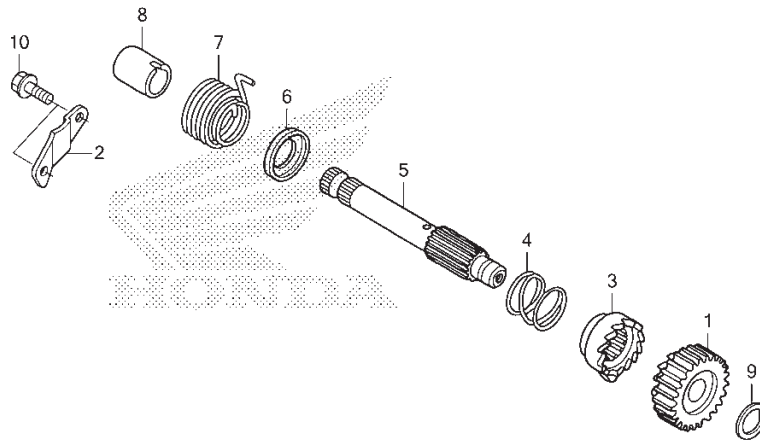
K15GE1900

No. Ref.	No. Part	Deskripsi	Jumlah CB150R (CB150R) 2015(G)	No. Seri	Kode Parts Catalog
1	24211-K56-N00	FORK, R. GEARSHIFT	1		
2	24212-KPP-901	FORK, CENTER GEARSHIFT	1		
3	24213-K56-N00	FORK, L. GEARSHIFT	1		
4	24241-KPP-901	SHAFT, GEARSHIFT FORK	1		
5	24301-K56-N00	DRUM, GEARSHIFT	1		
6	24410-K15-900	PLATE COMP., SHIFT DRUM			
		STOPPER	1		
7	24430-K56-N00	STOPPER COMP., GEARSHIFT DRUM .	1		
8	24436-KTY-D30	SPRING, GEARSHIFT DRUM STOPPER	1		
9	24610-KPP-900	SPINDLE COMP., GEARSHIFT	1		
10	24641-KBP-901	SPRING, GEARSHIFT ARM	1		
11	24651-KTY-D30	SPRING, GEARSHIFT RETURN	1		
12	24652-035-000	PIN, SHIFT RETURN SPRING	1		
13	35751-KPH-900	CAP, CHANGE SWITCH CONTACT	1		
14	35752-KPH-901	SPRING, CHANGE SWITCH CONTACT .	1		
15	90022-MG8-000	PIVOT, SHIFT DRUM STOPPER ARM .	1		
16	90402-KW7-901	WASHER, THRUST, 6MM	1		
17	90435-HB3-000	WASHER, 6.1MM	1		
18	91009-K31-901	BEARING, RADIAL BALL, 6905(NK)	1		
	91015-K56-N01	BEARING, RADIAL BALL, 6905(SK)	1		
19	91209-KWC-901	OIL SEAL, 12X22X7	1		
20	95701-06016-00	BOLT, FLANGE, 6X16	1		
21	96220-30086	ROLLER, 3X8.5	2		



E-20

KICK STARTER SPINDLE



←FR.

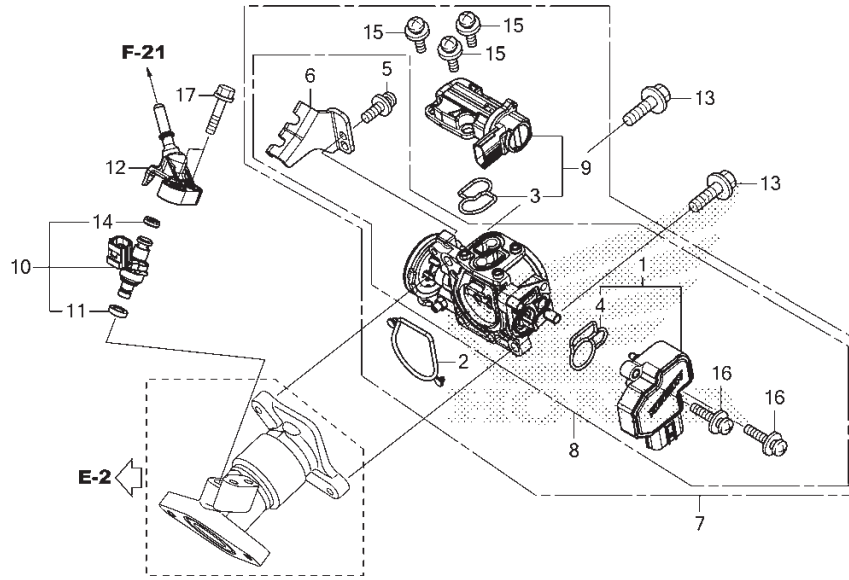
K15GE2000

No. Ref.	L.O.N.	(Nomor ref. relatif) Deskripsi	F.R.T.
1		(3,4)	
1121A0		PINION, KICK STARTER	0,8
1121A2		SPINDLE, KICK STARTER	0,8
112103		SPRING, KICK STARTER RETURN	0,8

No. Ref.	No. Part	Deskripsi	Jumlah CB150R (CB150R) 2015(G)	No. Seri	Kode Parts Catalog
1	28211-K56-N00	PINION, KICK STARTER(22T)	1		
2	28215-KGH-901	PLATE, KICK STOPPER	1		
3	28221-K56-N00	RATCHET, STARTER DRIVE	1		
4	28223-KM7-702	SPRING, RATCHET	1		
5	28251-K15-900	SPINDLE, KICK STARTER	1		
6	28254-437-001	SEAT, RATCHET SPRING	1		
7	28261-KGH-901	SPRING, KICK RETURN	1		
8	28282-KGH-901	COLLAR, KICK SPRING	1		
9	90451-KGH-901	WASHER, SPECIAL, 14MM	1		
10	95701-06016-00	BOLT, FLANGE, 6X16	2		

E-23

THROTTLE BODY



No. Ref.	L.O.N.	(Nomor ref. relatif) Deskripsi	F.R.T.
1		(4)	
7	617115	SENSOR, THROTTLE	0,7
		(2)	
8	311132	BODY ASSY., THROTTLE	0,8
9	311130	BODY, THROTTLE	0,8
		(3)	
10	3111N5	VALVE, IDLE AIR CONTROL	0,7
		(11,12,14)	
	311145	INJECTOR, FUEL	0,8

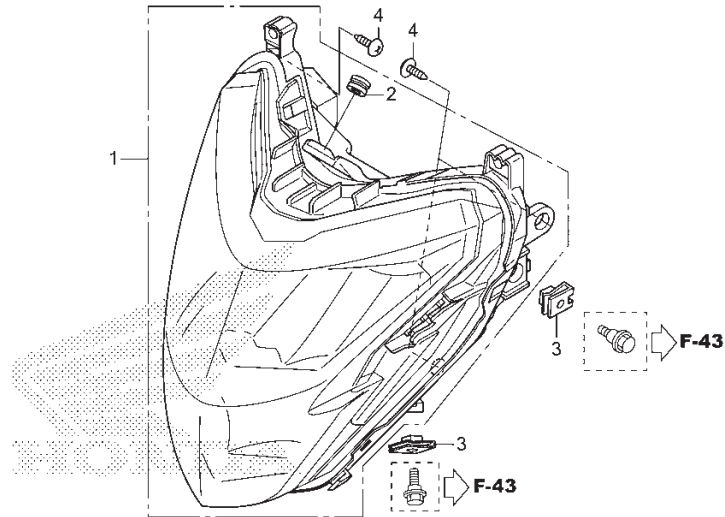
K15GE2300

No. Ref.	No. Part	Deskripsi	Jumlah CB150R (CB150R) 2015(G)	No. Seri	Kode Parts Catalog
1	16060-KVS-J01	SENSOR SET	1		
2	16075-K40-F01	O-RING, THROTTLE BODY	1		
3	16076-K35-V01	O-RING	1		
4	16077-K35-V01	O-RING	1		
5	16081-K56-N01	SCREW-WASHER, TORX(5X12)	1		
6	16169-K56-N01	STAY, WIRE	1		
7	16400-K56-N01	THROTTLE BODY ASSY.(GQ1LA A) ..	1		
8	16410-K56-N01	BODY SET	1		
9	16430-K56-N01	VALVE SET, IDLE AIR CONTROL ...	1		
10	16450-K15-921	INJECTOR ASSY., FUEL	1		
11	16472-KPC-D51	RING, SEAL	1		
12	17560-K56-N00	JOINT COMP., INJECTOR	1		
13	90004-GHB-650	BOLT, FLANGE, 6X20	2		
14	91301-GGL-J02	O-RING, 6.3X2.2	1		
15	93891-04010-18	SCREW-WASHER, 4X10	3		
16	93891-04016-18	SCREW-WASHER, 4X16	2		
17	95701-06022-01	BOLT, FLANGE, 6X22	2		



F-1

HEADLIGHT



K15GF0100

No. Ref.	L.O.N.	(Nomor ref. relatif) Deskripsi	F.R.T.
----------	--------	-----------------------------------	--------

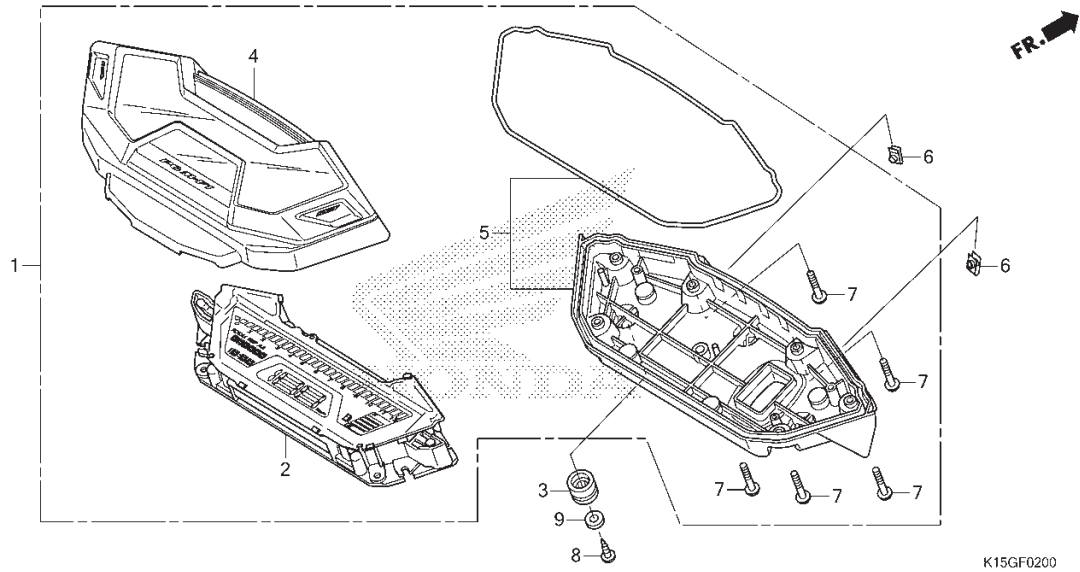
1	6161A7	HEADLIGHT UNIT.....	0,6
CATATAN: Tidak termasuk No.Ref. 2			

3

No. Ref.	No. Part	Deskripsi	Jumlah CB150R (CB150R) 2015(G)	No. Seri	Kode Parts Catalog
1	3310A-K15-920	HEADLIGHT ASSY. SET.....	1		
2	83545-KCJ-690	RUBBER, SIDE COVER.....	1		
3	90305-GK8-000	NUT, CLIP, 6MM.....	4		
4	93903-25220	SCREW, TAPPING, 5X12.....	4		

F-2

METER

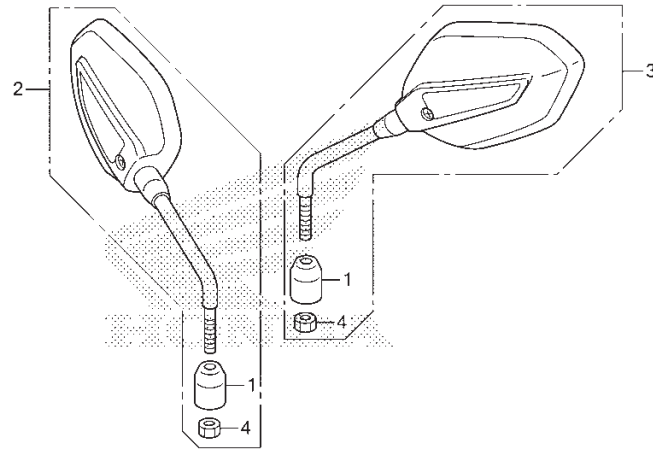


No. Ref.	L.O.N.	(Nomor ref. relatif) Deskripsi	F.R.T.
1	8121A1	METER ASSY., COMBINATION.....	0,4
2	8121A2	METER, COMBINATION.....	0,5
4	8121B4	CASE, METER :UPPER.....	0,4
5	8121B5	CASE, METER :LOWER.....	0,4

No. Ref.	No. Part	Deskripsi	Jumlah CB150R (CB150R) 2015(G)	No. Seri	Kode Parts Catalog
1	37100-K15-921	METER ASSY., COMBINATION(KPH)	1		
2	37130-K15-921	METER COMP., LCD.....	1		
3	37215-KZZ-900	RUBBER, METER SETTING.....	3		
4	37610-K15-921	CASE ASSY., UPPER.....	1		
5	37620-K15-921	CASE ASSY., UNDER.....	1		
6	90677-KAN-T00	NUT, CLIP, 5MM.....	2		
7	93903-22520	SCREW, TAPPING, 3X20.....	7		
8	93913-25381	SCREW, TAPPING, 5X14(PO).....	3		
9	94103-0570	WASHER, PLAIN, 5MM.....	3		

F-3

MIRROR



K15GF0300

No. Ref.	L.O.N.	(Nomor ref. relatif) Deskripsi	F.R.T.
----------	--------	-----------------------------------	--------

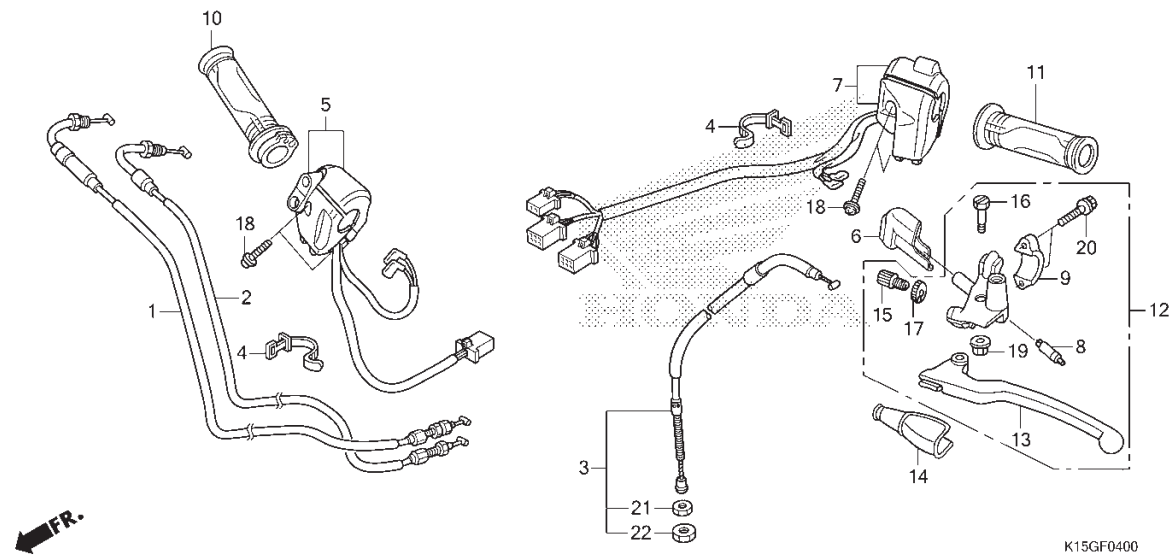
TIDAK ADA INFORMASI

No. Ref.	No. Part	Deskripsi	Jumlah CB150R (CB150R) 2015(G)	No. Seri	Kode Parts Catalog
1	88113-KCJ-660	CAP, LOCK NUT.....	2		
2	88110-KCJ-660	MIRROR ASSY., R.....	1		
3	88120-KCJ-660	MIRROR ASSY., L.....	1		
4	94002-10000-0S	NUT, HEX., 10MM.....	2		

3

F-4

HANDLE LEVER/SWITCH/CABLE



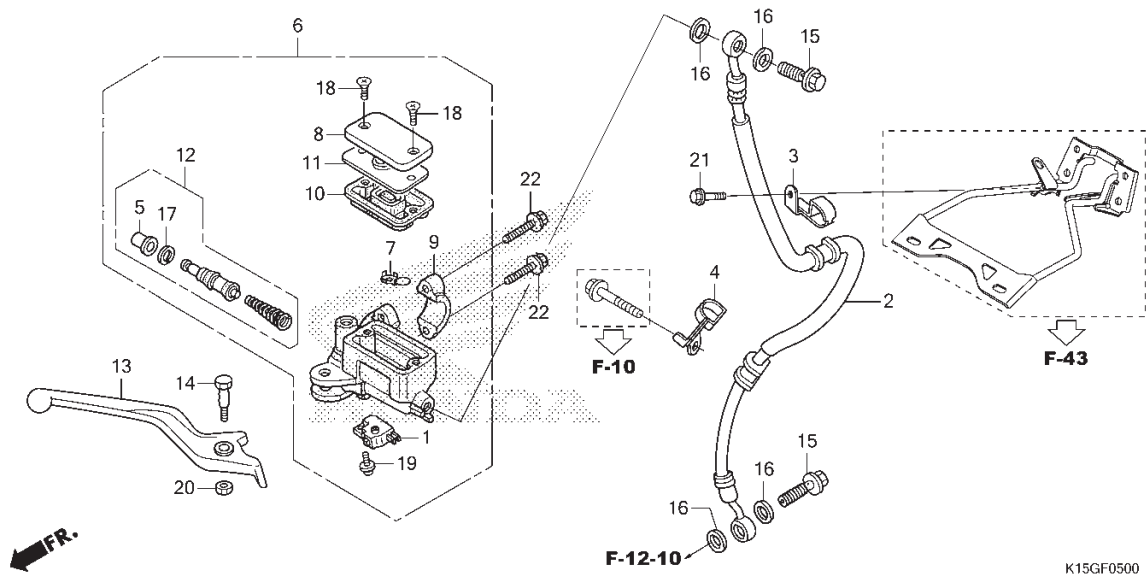
No. Ref.	L.O.N.	(Nomor ref. relatif) Deskripsi	F.R.T.
1		(2)	
1	8111A2	CABLE A, THROTTLE.....	0,5
3	811115	CABLE, CLUTCH.....	0,3
5	615116	SWITCH, STARTER.....	0,8
7	615118	SWITCH, WINKER.....	0,7
8	6151A9	SWITCH, CLUTCH.....	0,2
10	810150	GRIP, THROTTLE.....	0,2
11	8101C0	GRIP, HANDLE :LEFT.....	0,1
12	8101C8	LEVER ASSY., HANDLE :LEFT	0,2
CATATAN: Tidak termasuk No.Ref. 8,9, 13,15,16,17,19,20			
13	8101C6	LEVER, HANDLE :LEFT.....	0,1
	8101F5	LEVER, HANDLE :KEDUA-DUANYA....	0,2

No. Ref.	No. Part	Deskripsi	Jumlah CB150R (CB150R) 2015(G)	No. Seri	Kode Parts Catalog
1	17910-K15-921	CABLE COMP. A, THROTTLE.....	1		
2	17920-K15-921	CABLE COMP. B, THROTTLE.....	1		
3	22870-K15-920	CABLE COMP., CLUTCH.....	1		
4	32161-404-000	BAND B1, WIRE.....	2		
5	35130-K15-921	SWITCH ASSY., START.....	1		
6	35152-KRY-971	COVER, CLUTCH SWITCH.....	1		
7	35200-K15-921	SWITCH ASSY., WINKER.....	1		
8	35330-413-003	SWITCH COMP., FR. LEVER.....	1		
9	45517-166-007	HOLDER, MASTER CYLINDER.....	1		
10	53140-K15-900	GRIP COMP., THROTTLE.....	1		
11	53166-KYJ-901	GRIP, L. HANDLE.....	1		
12	53170-KYE-900	LEVER ASSY., HANDLE.....	1		
13	53170-KYE-900	LEVER COMP., L. HANDLE.....	1		
14	53180-425-010	BOOT, HANDLE LEVER.....	1		
15	53192-349-690	BOLT, CLUTCH WIRE ADJUSTING...	1		
16	90113-438-000	BOLT, L. STEERING HANDLE LEVER PIVOT	1		
17	90321-MR8-001	NUT, FIXING.....	1		
18	93892-05020-07	SCREW-WASHER, 5X20.....	4		
19	94050-0600	NUT, FLANGE, 6MM.....	1		
20	96001-06022-07	BOLT, FLANGE, 6X22.....	2		
21	94002-08000-0S	NUT, HEX., 8MM.....	1		
22	94030-08000	NUT, HEX., 8MM.....	1		



F-5

FRONT BRAKE MASTER CYLINDER



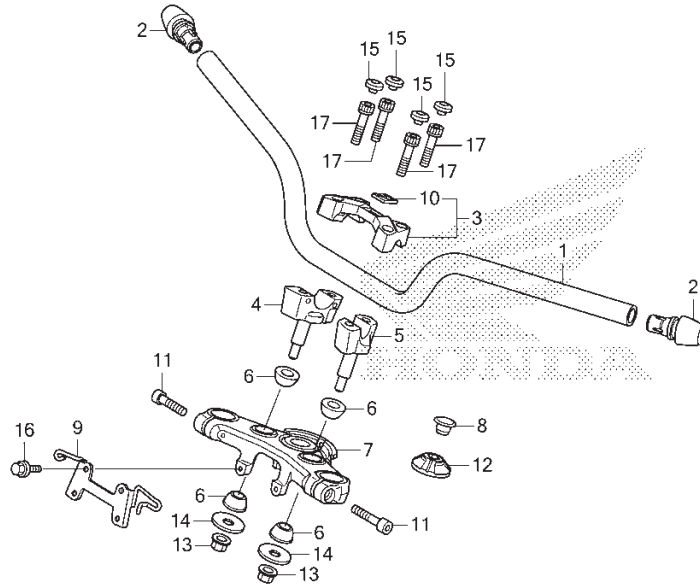
No. Ref.	L.O.N.	(Nomor ref. relatif) Deskripsi	F.R.T.
1	6151B2	SWITCH, FRONT STOP.....	0,2
2	7121A0	HOSE, FRONT BRAKE.....	0,7
6	712105	CYLINDER, FRONT BRAKE MASTER... .TERMASUK: Pembuangan angin palsu	0,5
10	712166	DIAPHRAGM, FRONT BRAKE MASTER CYLINDER.....	0,1
12	712169	PISTON SET, FRONT BRAKE MASTER . .TERMASUK: Pembuangan angin palsu	0,5
13	8101C7	LEVER, HANDLE :RIGHT.....	0,1
	8101F5	LEVER, HANDLE :KEDUA-DUANYA....	0,2

3

No. Ref.	No. Part	Deskripsi	Jumlah CB150R (CB150R) 2015(G)	No. Seri	Kode Parts Catalog
1	35340-MGS-D31	SWITCH ASSY., FR. STOP.....	1		
2	45126-K15-920	HOSE COMP., FR. BRAKE.....	1		
3	45155-K15-920	CLAMPER A, FR. BRAKE HOSE.....	1		
4	45156-K45-N00	CLAMPER B, FR. BRAKE HOSE.....	1		
5	45504-410-004	BOOT COMP.	1		
6	45510-K26-901	CYLINDER SUB ASSY., FR. BRAKE MASTER	1		
7	45512-MA6-007	PROTECTOR.....	1		
8	45513-HA2-007	CAP, MASTER CYLINDER.....	1		
9	45517-166-007	HOLDER, MASTER CYLINDER.....	1		
10	45520-GE2-007	DIAPHRAGM.....	1		
11	45521-K21-902	PLATE, DIAPHRAGM.....	1		
12	45530-471-831	CYLINDER SET, MASTER.....	1		
13	53175-KPN-E01	LEVER, R. STEERING HANDLE.....	1		
14	90114-KGH-900	BOLT, HANDLE LEVER PIVOT.....	1		
15	90145-GAZ-981	BOLT, OIL, 10X22.....	2		
16	90545-300-000	WASHER, OIL BOLT.....	4		
17	90651-MA5-672	CIRCLIP.....	1		
18	93600-04012-1G	SCREW, FLAT, 4X12.....	2		
19	93893-04012-17	SCREW-WASHER, 4X12.....	1		
20	94050-0600	NUT, FLANGE, 6MM.....	1		
21	96001-06012-07	BOLT, FLANGE, 6X12.....	1		
22	96001-06022-07	BOLT, FLANGE, 6X22.....	2		

F-7

HANDLE PIPE/TOP BRIDGE



No. Ref.	L.O.N.	(Nomor ref. relatif) Deskripsi	F.R.T.
1	810100	PIPE, STEERING HANDLE.....	0,5
4	8101B9	HOLDER, HANDLE :LOWER.....	0,2
	8101B9A	.Ganti 1 handle holder tambahkan.	0,1
7	510110	BRIDGE, FORK TOP.....	1,2

FR. ←

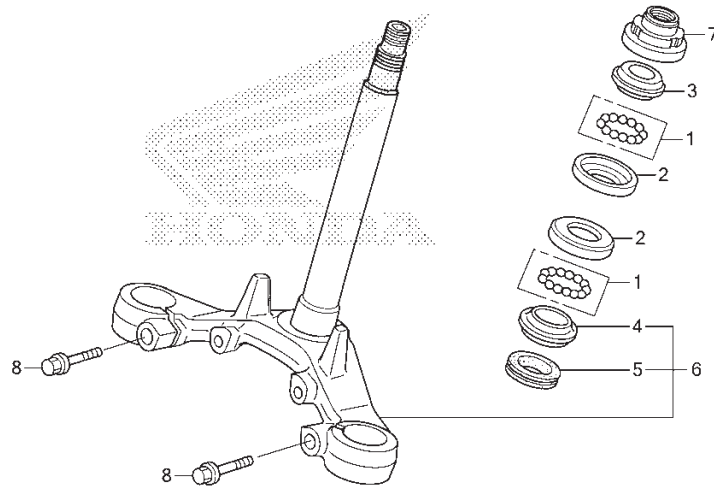
K15GF0700

No. Ref.	No. Part	Deskripsi	Jumlah CB150R (CB150R) 2015(G)	No. Seri	Kode Parts Catalog
1	53100-K15-920ZA	PIPE, STEERING HANDLE *NH303M*MAT AXIS GRAY METALLIC	1		
2	53105-KRC-900	END, STEERING HANDLE.....	2		
3	53130-K15-920ZA	HOLDER COMP., HANDLE UPPER *NH303M*MAT AXIS GRAY METALLIC	1		
4	53132-K15-920ZA	HOLDER, R. HANDLE UNDER *NH303M*MAT AXIS GRAY METALLIC	1		
5	53133-K15-920ZA	HOLDER, L. HANDLE UNDER *NH303M*MAT AXIS GRAY METALLIC	1		
6	53133-K18-900	RUBBER, HANDLE CUSHION.....	4		
7	53230-K15-920ZA	BRIDGE, FORK TOP *NH303M*MAT AXIS GRAY METALLIC	1		
8	53232-K15-920	CAP, STEERING NUT.....	1		
9	61314-K15-920	STAY COMP., HEADLIGHT COVER (RR)	1		
10	86150-KPG-901	EMBLEM, PRODUCT (MR).....	1		
	86150-KPG-902	EMBLEM, PRODUCT (UE).....	1		
	86150-KTJ-C61	EMBLEM, PRODUCT (SH).....	1		
11	90160-K15-920	BOLT, SOCKET, 8X32.....	2		
12	90304-K15-920	NUT, STEERING STEM.....	1		
13	90304-KPG-902	NUT, U, 8MM.....	2		
14	90535-K15-920	WASHER, HANDLE UNDER HOLDER...	2		
15	91456-K15-920	CAP, SOCKET BOLT, 8MM.....	4		
16	96001-06014-07	BOLT, FLANGE, 6X14.....	2		
17	96600-08032-08	BOLT, SOCKET, 8X32.....	4		

3

F-9

STEERING STEM



←FR.

K15GF0900

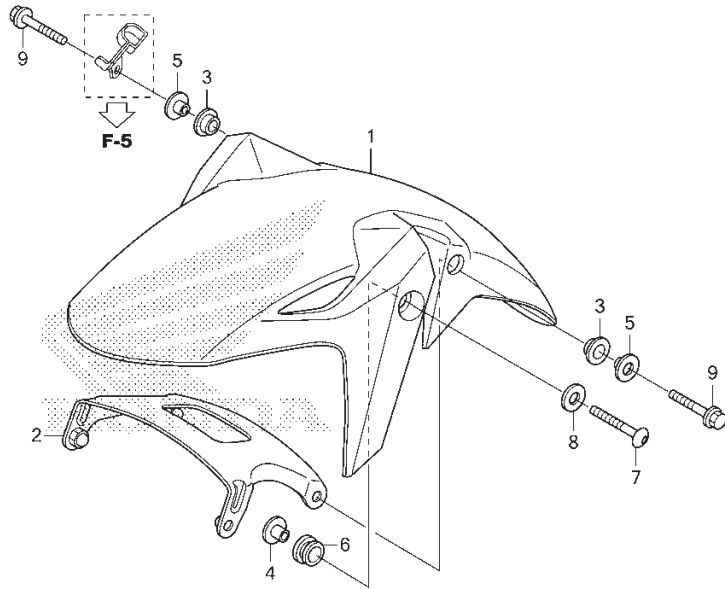
No. Ref.	L.O.N.	(Nomor ref. relatif) Deskripsi	F.R.T.
2		(1)	
	5101A0	RACE, STEERING BALL :UPPER.....	1,6
	5101A1	RACE, STEERING BALL :LOWER.....	1,8
	5101C9	RACE, STEERING BALL :KEDUA-DUANYA.....	1,8
3	5101A9	RACE, STEERING TOP CONE.....	1,6
4		(1,5)	
	5101B0	RACE, STEERING BOTTOM CONE.....	1,8
6	510100	STEM OR SHAFT ASSY., STEERING..	1,6
		CATATAN: Termasuk No.Ref. 1, 2	
7	5101B2	THREAD, STEERING HEAD TOP.....	1,4

3

No. Ref.	No. Part	Deskripsi	Jumlah CB150R (CB150R) 2015(G)	No. Seri	Kode Parts Catalog
1	06531-KW6-840	BALL ASSY., STEEL, #8X18.....	2		
2	50301-KTR-900	RACE, STEERING TOP BALL.....	2		
3	53211-268-010	RACE, STEERING TOP CONE.....	1		
4	53212-200-000	RACE, STEERING BOTTOM CONE....	1		
5	53214-200-000	DUST SEAL, STEERING HEAD.....	1		
6	5320A-K15-920	STEM COMP. ASSY., STEERING....	1		
7	53220-KSP-860	THREAD COMP., STEERING HEAD TOP	1		
8	95701-08035-07	BOLT, FLANGE, 8X35.....	2		

F-10

FRONT FENDER

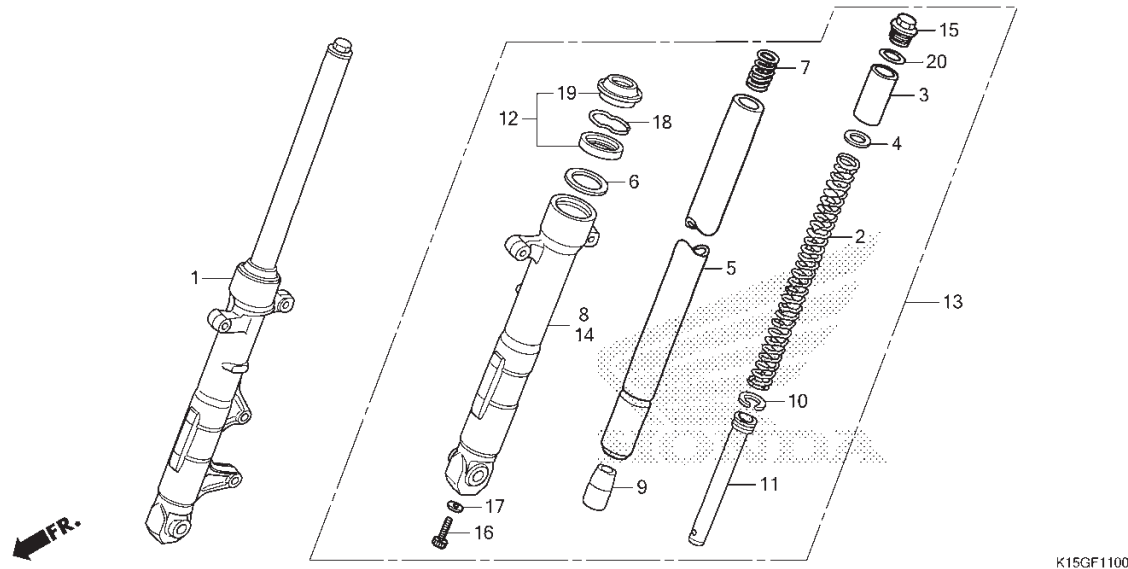


No. Ref.	L.O.N.	(Nomor ref. relatif) Deskripsi	F.R.T.
1	4131B7	FENDER, FRONT.....	0,1

No. Ref.	No. Part	Deskripsi	Jumlah CB150R (CB150R) 2015(G)	No. Seri	Kode Parts Catalog
1	61100-K15-920ZC	FENDER, FR.	1	-----	-----
	NH196ROSS WHITE	1	-----	-----
	61100-K15-920ZA	*R258*WINNING RED	1	-----	-----
	61100-K15-920ZD	*NH1*BLACK	1	-----	-----
2	61101-K15-920	STAY, FR. FENDER.....	1		
3	61103-KPF-911	RUBBER, FR. FENDER MOUNTING...	2		
4	61103-KRY-900	COLLAR A, FR. FENDER.....	2		
5	61105-K45-N00	COLLAR, FR. FENDER MOUNTING...	2		
6	61105-KRY-900	RUBBER, FR. FENDER MOUNTING...	2		
7	90107-K15-920	BOLT, SPECIAL, 6X40.....	2		
8	90485-286-000	WASHER, 6MM.....	2		
9	96001-06032-07	BOLT, FLANGE, 6X32.....	2		

F-11

FRONT FORK



K15GF1100

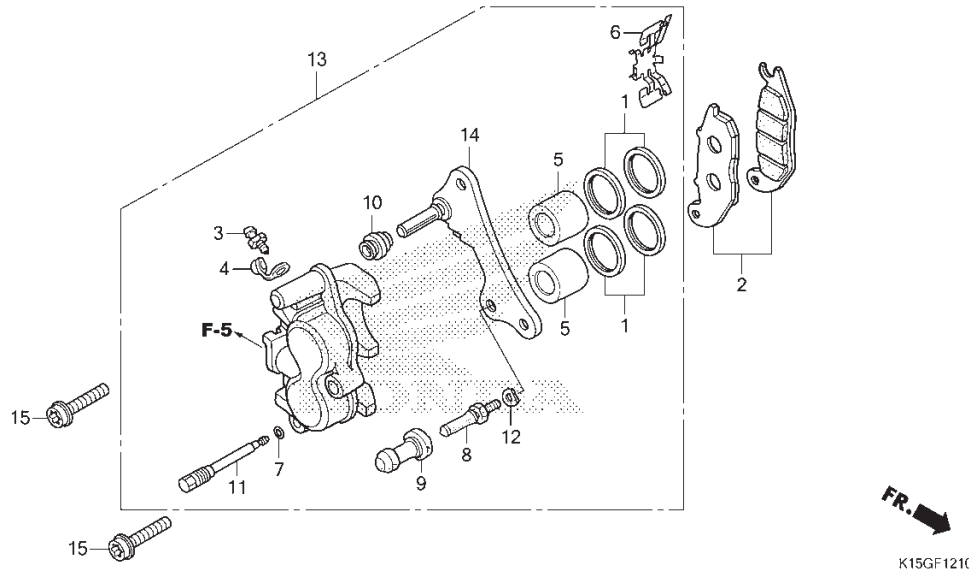
No. Ref.	L.O.N.	(Nomor ref. relatif) Deskripsi	F.R.T.
1	5111C3	FORK ASSY., FRONT :RIGHT.....	0,7
2	5111C5	SPRING, FRONT FORK :LEFT.....	0,9
	5111C6	SPRING, FRONT FORK :RIGHT.....	0,9
	5111C7	SPRING, FRONT FORK :KEDUA-DUANYA	1,2
		(7,9,10,11)	
5	5111G2	PIPE, FRONT FORK :LEFT.....	1,0
	5111G3	PIPE, FRONT FORK :RIGHT.....	1,0
	5111G4	PIPE, FRONT FORK :KEDUA-DUANYA	1,4
8	5111D2	CASE, BOTTOM :RIGHT.....	1,1
12	5111E7	SEAL SET, FRONT FORK :LEFT.....	1,0
	5111E8	SEAL SET, FRONT FORK :RIGHT....	1,0
	5111E9	SEAL SET, FRONT FORK :KEDUA-DUANYA.....	1,4
13	5111C2	FORK ASSY., FRONT :LEFT.....	0,7
	5111C4	FORK ASSY., FRONT :KEDUA-DUANYA	0,8
14	5111D1	CASE, BOTTOM :LEFT.....	1,1
	5111D3	CASE, BOTTOM :KEDUA-DUANYA.....	1,6

3

No. Ref.	No. Part	Deskripsi	Jumlah CB150R (CB150R) 2015(G)	No. Seri	Kode Parts Catalog
1	51400-K15-921	FORK ASSY., R. FR.	1		
2	51401-K15-901	SPRING, FR. FORK.....	2		
3	51402-K15-921	COLLAR, SPRING.....	2		
4	51403-447-731	PLATE, SPRING JOINT.....	2		
5	51410-K15-901	PIPE COMP., FR. FORK.....	2		
6	51412-KFN-851	RING, BACK UP.....	2		
7	51412-KSP-901	SPRING, REBOUND.....	2		
8	51420-K15-921	CASE COMP., R. BOTTOM.....	1		
9	51432-KFN-851	PIECE, OIL LOCK.....	2		
10	51437-KW6-901	RING, PISTON.....	2		
11	51440-K15-901	PIPE, SEAT.....	2		
12	51490-KRM-852	SEAL SET, FR. FORK.....	2		
13	51500-K15-921	FORK ASSY., L. FR.	1		
14	51520-K15-921	CASE COMP., L. BOTTOM.....	1		
15	90102-K18-901	BOLT A, FR. FORK.....	2		
16	90116-KAG-901	BOLT, SOCKET, 8MM.....	2		
17	90544-KFN-851	WASHER, SPECIAL, 8MM.....	2		
18	90601-KFN-851	RING, OIL SEAL STOPPER.....	2		
19	91254-GAA-003	DUST SEAL.....	2		
20	94608-50000	O-RING, 23X2.8.....	2		

F-12-10

FRONT BRAKE CALIPER

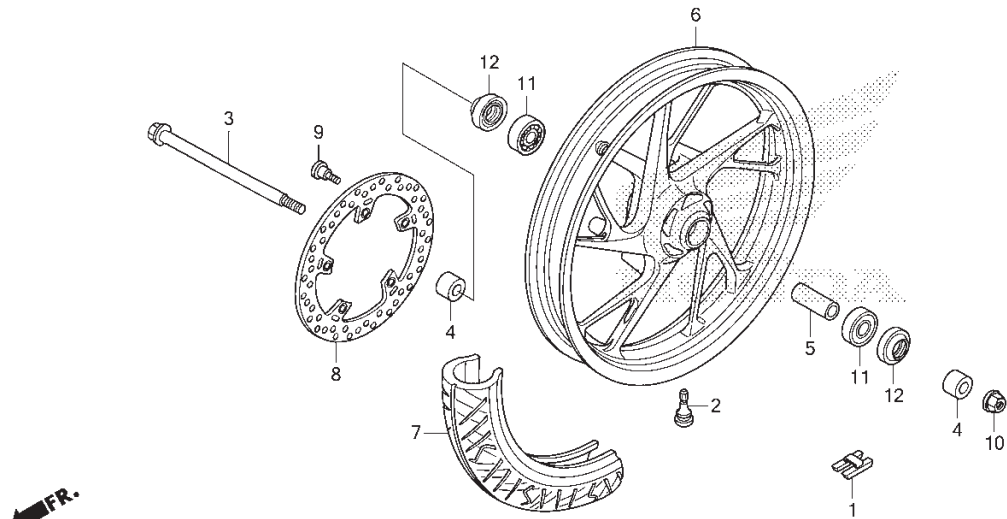


No. Ref.	L.O.N.	(Nomor ref. relatif) Deskripsi	F.R.T.
2	711115	SHOE(PAD) SET, BRAKE :FRONT....	0,1
5		(1)	
	7111D1	PISTON, FRONT BRAKE CALIPER....	0,5
		.TERMASUK: Pembuangan angin palsu	
		.CATATAN: Waktu sama untuk dua unit	
13	711130	CALIPER, FRONT BRAKE.....	0,4
		.TERMASUK: Pembuangan angin palsu	
14	7111G0	BRACKET, FRONT CALIPER.....	0,2

No. Ref.	No. Part	Deskripsi	Jumlah CB150R (CB150R) 2015(G)	No. Seri	Kode Parts Catalog
1	06451-GE2-406	SEAL SET, PISTON.....	2		
2	06455-KPP-N01	PAD SET, FR.	1		
3	43352-568-004	SCREW, BLEEDER.....	1		
4	43353-461-772	CAP, BLEEDER.....	1		
5	45107-GE2-007	PISTON.....	2		
6	45108-KPH-951	SPRING, PAD.....	1		
7	45111-MAJ-642	RING, STOPPER.....	1		
8	45131-GZ0-007	BOLT, PIN.....	1		
9	45132-166-017	BOOT, PIN BUSH.....	1		
10	45133-MA3-007	BOOT B.....	1		
11	45215-KPH-951	PIN, HANGER.....	1		
12	45216-166-007	WASHER, WAVE.....	1		
13	45250-KPY-932	CALIPER SUB ASSY., R. FR.	1		
14	45290-KPP-901	BRACKET SUB ASSY., R. FR.	1		
15	90131-KPH-881	BOLT, TORX, 8X25.....	2		

F-14-40

FRONT WHEEL



K15GF1440

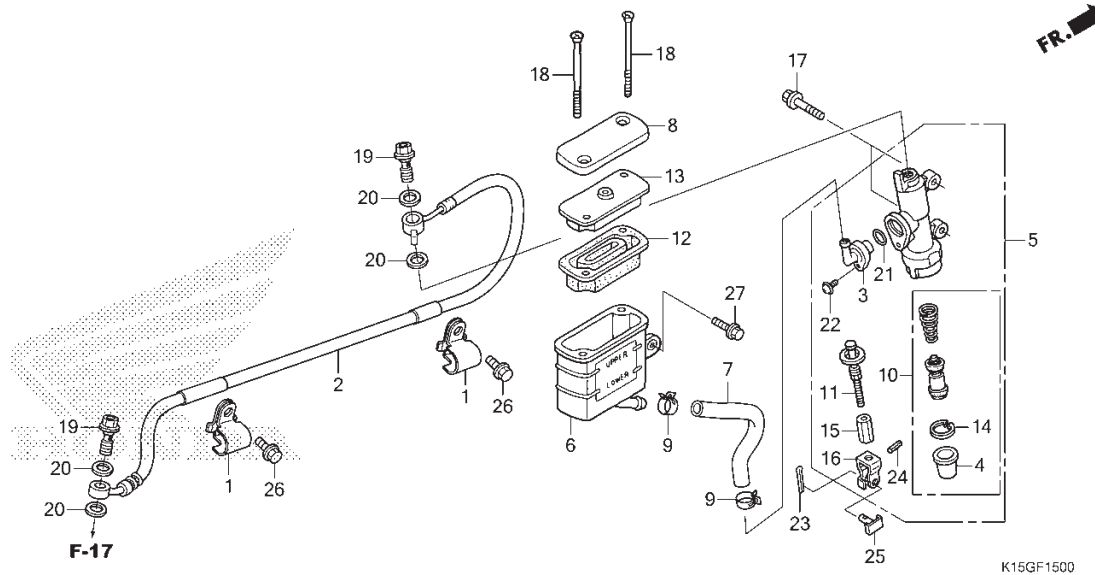
No. Ref.	L.O.N.	(Nomor ref. relatif) Deskripsi	F.R.T.
1	7101A6	WEIGHT, BALANCE :FRONT.....	0,6
3		(12)	
	710151	AXLE, FRONT WHEEL.....	0,3
6	7101D4	FRONT WHEEL.....	1,0
		.TERMASUK: Balans	
		.CATATAN: Termasuk No. Ref. 2,5,	
		11,12	
7	710139	FRONT TIRE(SATU).....	0,9
		.TERMASUK: Balans	
8	711120	DISC, FRONT BRAKE.....	0,4
11	710115	BEARING, FRONT WHEEL(SATU).....	0,5
	710115G	.Ganti 1 bearing tambahkan.....	0,1

3

No. Ref.	No. Part	Deskripsi	Jumlah CB150R (CB150R) 2015(G)	No. Seri	Kode Parts Catalog
1	42704-MER-D00	WEIGHT, BALANCE (10G)	N		
	42705-MER-D00	WEIGHT, BALANCE (20G)	N		
	42706-MER-D00	WEIGHT, BALANCE (30G)	N		
2	42753-KWF-901	VALVE, RIM.....	1		
3	44301-K45-N00	AXLE, FR. WHEEL.....	1		
4	44311-K45-N00	COLLAR, FR. WHEEL SIDE.....	2		
5	44620-K15-920	COLLAR, FR. AXLE DISTANCE.....	1		
6	44601-K15-920ZB	WHEEL, FR. *NH303M* MAT AXIS GRAY METALLIC	1	----- IN	
7	44711-KPP-T01	TIRE, FR.(100/80-17 M/C 52P)..	1		
8	45251-K45-N01	DISK, FR. BRAKE.....	1		
9	90105-KGH-901	BOLT, BRAKE DISK, 8X24.....	5		
10	90306-KGH-902	NUT, U, 12MM.....	1		
11	91053-K03-H02	BEARING, RADIAL BALL (6301U L) (FA)	2		
	91053-K03-N41	BEARING, RADIAL BALL (6301U L) (SK)	2		
12	91252-KGH-902	DUST SEAL, 23X37X7	2		

F-15

REAR BRAKE MASTER CYLINDER

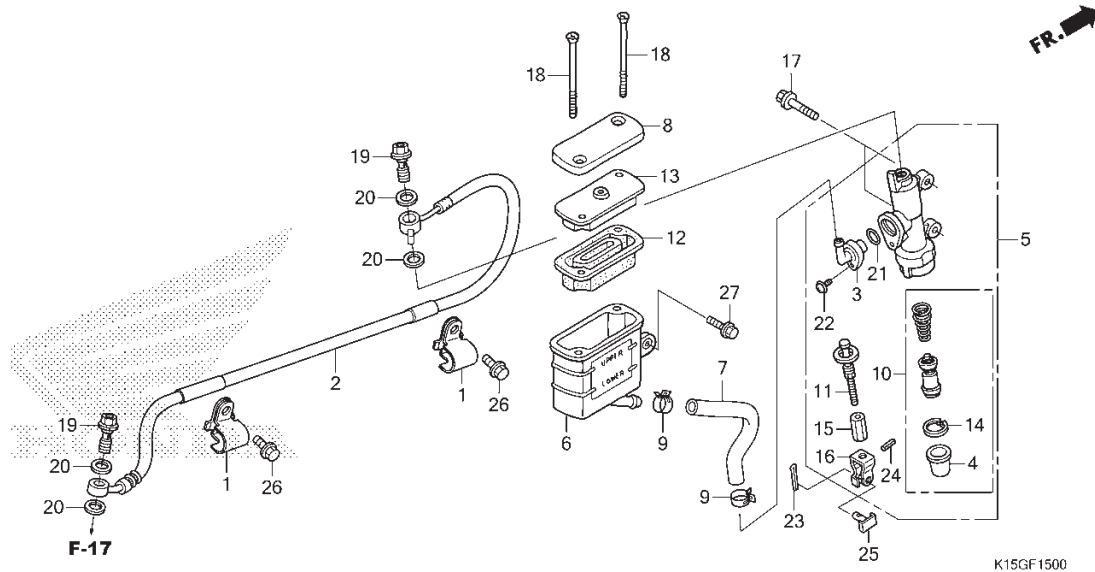


No. Ref.	L.O.N.	(Nomor ref. relatif) Deskripsi	F.R.T.
2	712130	HOSE, REAR BRAKE.....	0,4
5	712125	CYLINDER, REAR BRAKE MASTER....	0,6
6	7121F6	CUP, REAR MASTER CYLINDER OIL..	0,2
7	7121C2	HOSE, REAR MASTER CYLINDER OIL CUP.....	0,3
10	7121H0	PISTON SET, REAR BRAKE MASTER..	0,6
12	7121G7	DIAPHRAGM, REAR BRAKE MASTER... CYLINDER.....	0,2

No. Ref.	No. Part	Deskripsi	Jumlah CB150R (CB150R) 2015(G)	No. Seri	Kode Parts Catalog
1	43155-K15-900	CLAMPER, RR. BRAKE HOSE.....	2		
2	43310-K15-920	HOSE COMP., RR. BRAKE.....	1		
3	43503-MER-D01	CONNECTOR, MASTER CYLINDER....	1		
4	43504-MB2-007	BOOT COMP.	1		
5	43510-K15-921	CYLINDER SUB ASSY., RR. BRAKE MASTER	1		
6	43511-KW7-882	CUP COMP., OIL.....	1		
7	43512-K15-921	HOSE, RR. MASTER CYLINDER....	1		
8	43513-KBP-882	CAP, MASTER CYLINDER.....	1		
9	43514-KS6-702	CLAMP, MASTER CYLINDER OIL HOSE	2		
10	43520-MJ6-316	PISTON SET, MASTER CYLINDER...	1		
11	43530-KBA-921	ROD COMP., PUSH.....	1		
12	45520-GW0-912	DIAPHRAGM.....	1		
13	45521-GW0-913	PLATE, DIAPHRAGM.....	1		
14	46182-MEL-D21	CIRCLIP.....	1		
15	90315-KBA-921	NUT, SPECIAL, 8MM.....	1		
16	46504-KV6-703	JOINT, BRAKE ROD.....	1		
17	90105-HP1-000	BOLT, FLANGE, 6X22.....	2		
18	90140-KZZ-901	SCREW, FLAT, 4X45.....	2		
19	90145-GAZ-981	BOLT, OIL, 10X22.....	2		
20	90545-300-000	WASHER, OIL BOLT.....	4		
21	91212-422-007	O-RING, 14.8X2.4.....	1		
22	93893-04012-17	SCREW-WASHER, 4X12.....	1		
23	94201-20150	PIN, SPLIT, 2.0X15.....	1		
24	94305-20103	PIN, SPRING, 2X10.....	1		
25	95015-54002	PIN D, JOINT.....	1		

F-15

REAR BRAKE MASTER CYLINDER

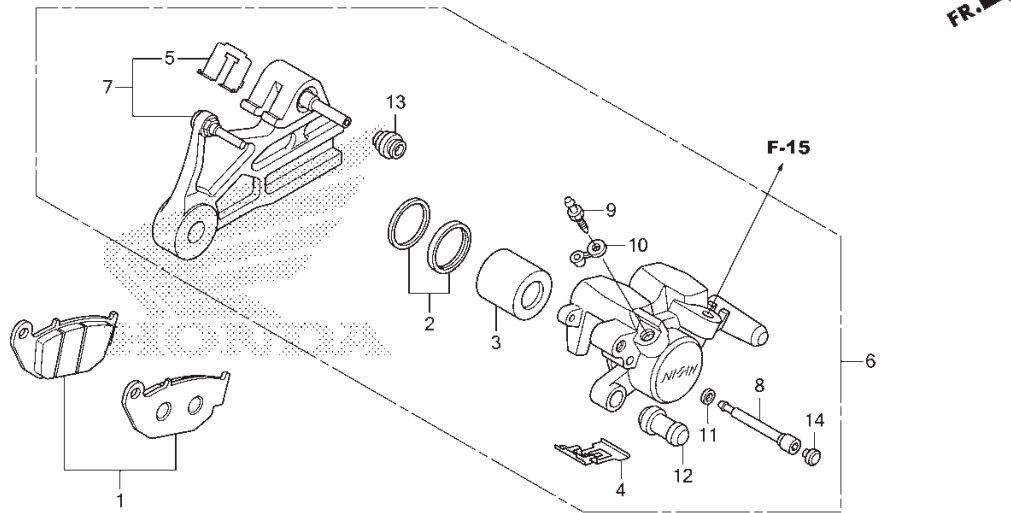


3

No. Ref.	No. Part	Deskripsi	Jumlah CB150R (CB150R) 2015(G)	No. Seri	Kode Parts Catalog
26	96001-06010-07	BOLT, FLANGE, 6X10.....	2		
27	96001-06014-00	BOLT, FLANGE, 6X14.....	1		

F-17

REAR BRAKE CALIPER

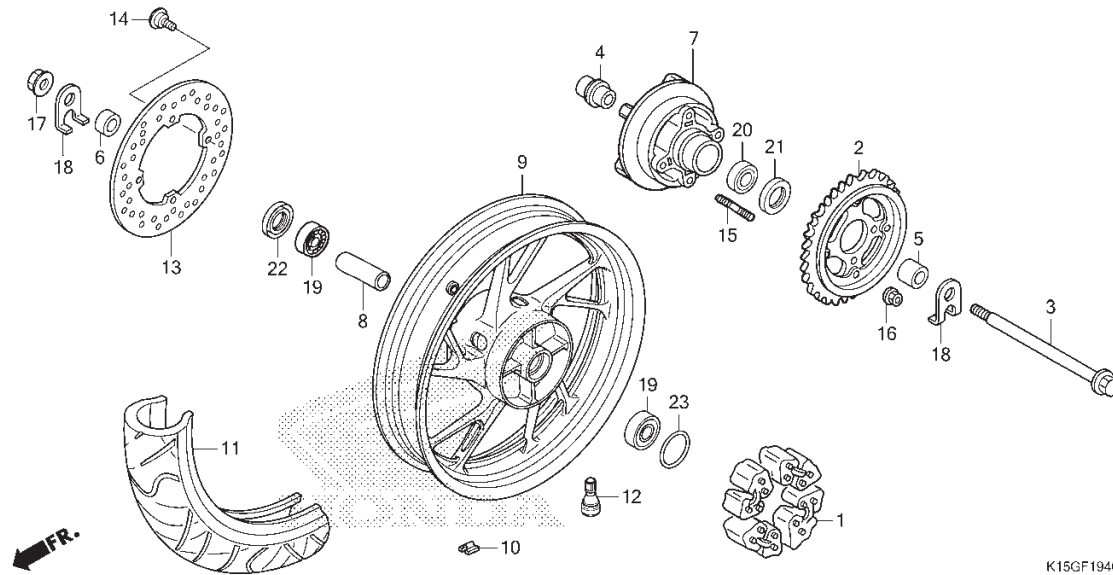


No. Ref.	L.O.N.	(Nomor ref. relatif) Deskripsi	F.R.T.
1	711140	SHOE(PAD) SET, BRAKE :REAR.....	0,1
3	7111D5	PISTON, REAR BRAKE CALIPER.....	0,7
6	711155	CALIPER, REAR BRAKE.....	0,6
7	7111C1	BRACKET, REAR CALIPER.....	0,4

No. Ref.	No. Part	Deskripsi	Jumlah CB150R (CB150R) 2015(G)	No. Seri	Kode Parts Catalog
1	06435-KRE-G31	PAD SET, RR.	1		
2	06451-MA7-406	SEAL SET, PISTON.....	1		
3	43107-MA7-007	PISTON.....	1		
4	43108-KSP-B51	SPRING, PAD.....	1		
5	43112-KSP-B01	RETAINER.....	1		
6	43150-KSP-B02	CALIPER SUB ASSY., RR.	1		
7	43190-KSP-B01	BRACKET SUB ASSY., RR.	1		
8	43215-KGH-902	PIN, HANGER.....	1		
9	43352-568-004	SCREW, BLEEDER.....	1		
10	43353-461-772	CAP, BLEEDER.....	1		
11	45111-MAJ-G42	RING, STOPPER.....	1		
12	45132-166-017	BOOT, PIN BUSH.....	1		
13	45133-MA3-007	BOOT B.....	1		
14	45203-MCC-007	PLUG, PIN.....	1		

F-19-40

REAR WHEEL



No. Ref.	L.O.N.	(Nomor ref. relatif) Deskripsi	F.R.T.
1		(23)	
1	710157	DAMPER, REAR WHEEL.....	0,3
2	7101A0	SPROCKET, FINAL DRIVEN.....	0,4
3		(21,22)	
1	710160	AXLE, REAR WHEEL.....	0,3
7	7101A5	FLANGE ASSY., FINAL DRIVEN.....	0,4
		.CATATAN: Termasuk No. Ref. 4,15 20,21	
9	710118	REAR WHEEL.....	1,0
		.TERMASUK: Balans .CATATAN: Termasuk No. Ref. 8,12, 19,22,23	
10	7101E1	WEIGHT, BALANCE :REAR.....	0,6
11	710142	REAR TIRE(SATU).....	1,0
		.TERMASUK: Balans	
13	711145	DISC, REAR BRAKE.....	0,4
19	710133	BEARING, REAR WHEEL(SATU).....	0,5
	710133G	.Ganti 1 bearing tambahkan.....	0,1
20	7101D1	BEARING, FINAL DRIVEN FLANGE... 0,5	

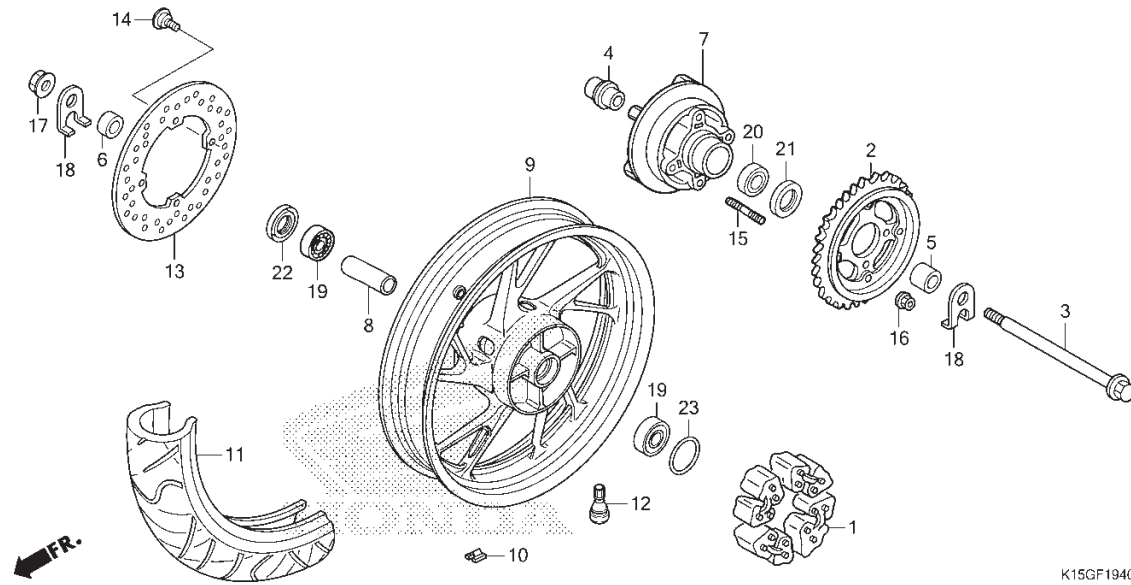
K15GF1940

3

No. Ref.	No. Part	Deskripsi	Jumlah CB150R(CB150R) 2015(G)	No. Seri	Kode Parts Catalog
1	41241-KSP-900	DAMPER, WHEEL.....	1		
2	41200-K45-N00	SPROCKET COMP., FINAL DRIVEN (46T)	1		
3	42301-K45-N00	AXLE, RR. WHEEL.....	1		
4	42303-KPP-T01	SLEEVE, RR. WHEEL.....	1		
5	42311-K45-N00	COLLAR, L. RR. WHEEL SIDE.....	1		
6	42313-K45-N00	COLLAR, R. RR. WHEEL SIDE.....	1		
7	42611-KSP-B00ZB	FLANGE, DRIVEN *NH303M* MAT AXIS GRAY METALLIC	1	-----	IN
8	42620-KPP-T01	COLLAR, RR. AXLE DISTANCE.....	1		
9	42601-K15-920ZB	WHEEL, RR. *NH303M* MAT AXIS GRAY METALLIC	1	-----	IN
10	42704-MER-D00	WEIGHT, BALANCE(10G).....	N		
	42705-MER-D00	WEIGHT, BALANCE(20G).....	N		
	42706-MER-D00	WEIGHT, BALANCE(30G).....	N		
11	42711-KPP-T01	TIRE, RR. (130/70-17 M/C 62P)	1		
12	42753-KWF-901	VALVE, RIM.....	1		
13	43251-KCJ-672	DISK, RR. BRAKE.....	1		
14	90105-KGH-901	BOLT, BRAKE DISK, 8X24.....	4		
15	90128-K45-N00	BOLT, STUD, 10X22.....	4		
16	90304-KGH-901	NUT, U, 10MM.....	4		
17	90305-KCJ-951	NUT, U, 14MM.....	1		
18	90559-K45-N00	WASHER, RR. AXLE.....	2		
19	91051-K45-N05	BEARING, RADIAL BALL, 6302U..	2		
20	91052-K45-N03	BEARING, RADIAL BALL, 6004UU..	1		
21	91257-230-004	OIL SEAL, 28X42X7 (AR).....	1		

F-19-40

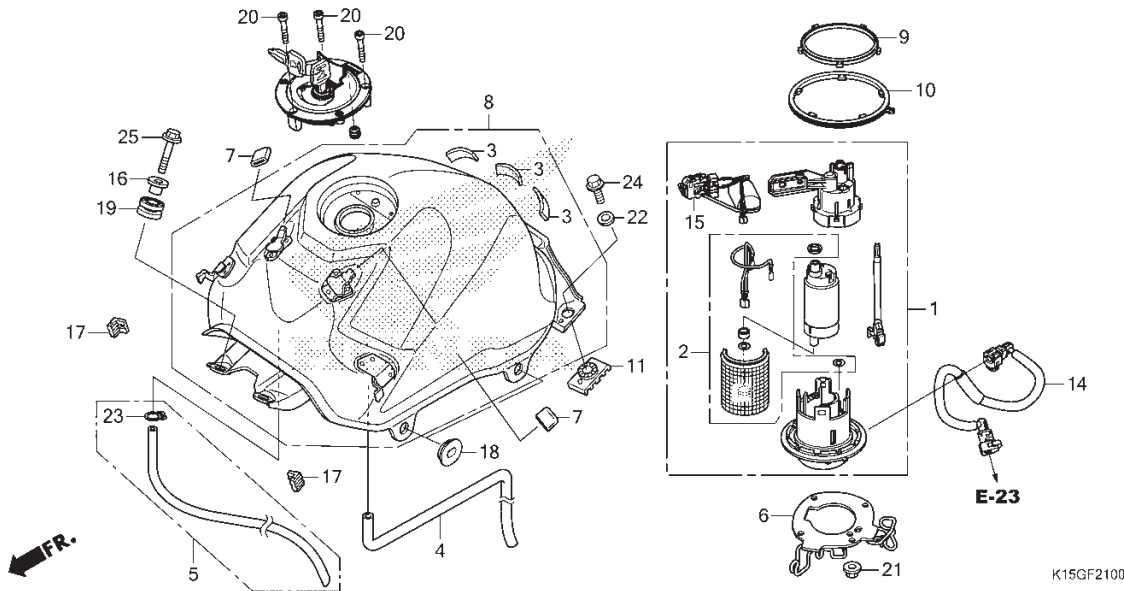
REAR WHEEL



No. Ref.	No. Part	Deskripsi	Jumlah CB150R (CB150R) 2015(G)	No. Seri	Kode Parts Catalog
21)	91257-230-005	OIL SEAL, 28X42X7 (NO)	1		
22	91257-230-004	OIL SEAL, 28X42X7 (AR)	1		
	91257-230-005	OIL SEAL, 28X42X7 (NO)	1		
23	91352-KSP-900	O-RING, 51X2	1		

F-21

FUEL TANK



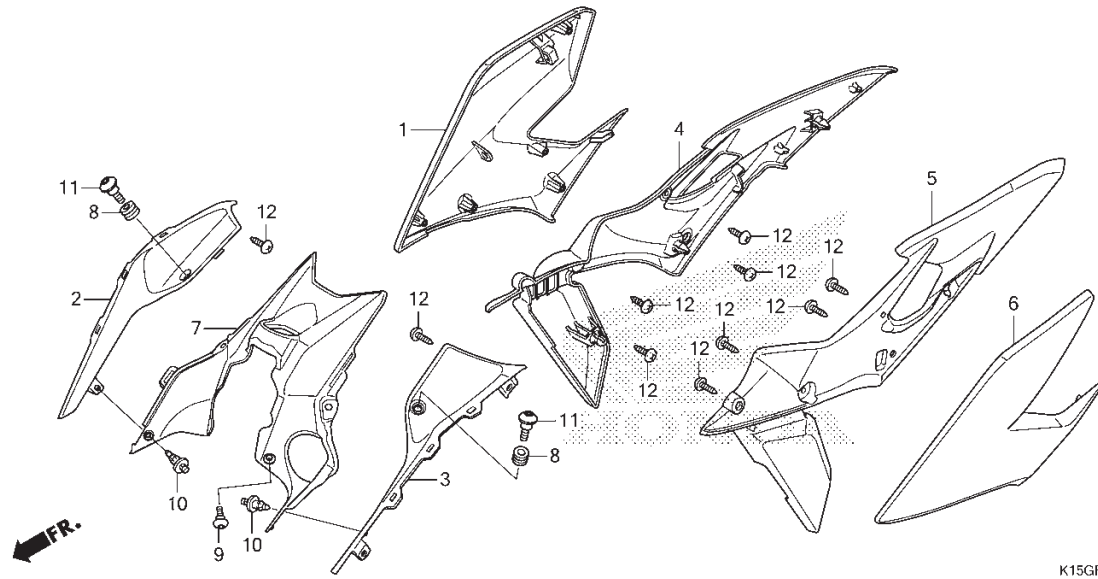
No. Ref.	L.O.N.	(Nomor ref. relatif) Deskripsi	F.R.T.
1		(9,10)	
2	310120	PUMP ASSY., FUEL.....	0,8
8	310100	TANK, FUEL.....	0,8
14	310162	HOSE, FUEL FEED.....	0,8
15	617105	FUEL TANK SENDING UNIT.....	0,9

3

No. Ref.	No. Part	Deskripsi	Jumlah CB150R (CB150R) 2015(G)	No. Seri	Kode Parts Catalog
1	16700-K45-N01	PUMP ASSY., FUEL.....	1		
2	16707-K45-N01	FILTER SET.....	1		
3	17525-K15-900	RUBBER, FUEL TANK.....	3		
4	17525-K15-920	TUBE, FUEL DRAIN.....	1		
5	1752A-K15-920	TUBE ASSY., FUEL TANK BREATHER	1		
6	17527-K15-920	PLATE, SETTING.....	1		
7	17529-K15-920	RUBBER, TANK COVER.....	2		
8	17510-K15-920RSW	TANK COMP., FUEL(WL)			
	NH196ROSS WHITE	1	-----	----- IN
	17510-K15-920WRD	*R258*WINNING RED	1	-----	----- IN
	17510-K15-920FMB	*NH1*BLACK	1	-----	----- IN
9	17572-GHB-601	GASKET, FUEL PUMP.....	1		
10	17573-GHB-601	SEAL, DUST.....	1		
11	17613-KPP-T01	CUSHION, FUEL TANK.....	2		
14	17650-K15-921	HOSE COMP., FUEL FEED.....	1		
15	37800-K45-N01	FUEL UNIT.....	1		
16	61104-422-000	COLLAR, SETTING.....	2		
17	83502-KCC-900	GROMMET, SIDE COVER.....	2		
18	83551-300-000	GROMMET, AIR CLEANER CASE.....	4		
19	84703-425-001	RUBBER, TAILLIGHT MOUNTING....	2		
20	90110-MGP-D60	BOLT, SOCKET, 4X24(SUS).....	3		
21	94050-0600	NUT, FLANGE, 6MM.....	4		
22	94103-06700	WASHER, PLAIN, 6MM.....	2		
23	95002-02080	CLIP, TUBE(B8).....	1		
24	95701-06012-08	BOLT, FLANGE, 6X12.....	2		
25	95701-06022-07	BOLT, FLANGE, 6X22.....	2		

F-22

SHROUD

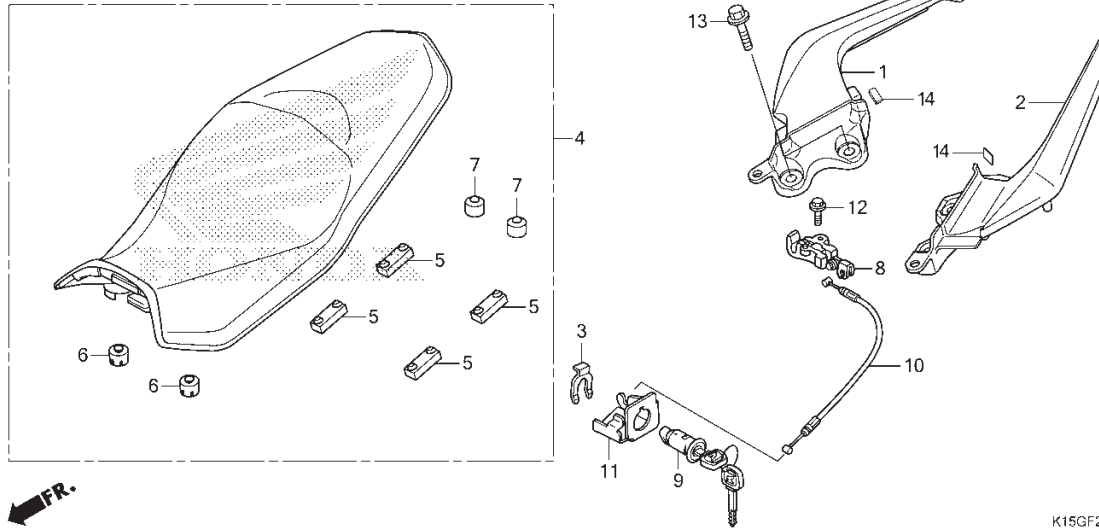


No. Ref.	L.O.N.	(Nomor ref. relatif) Deskripsi	F.R.T.
1	1151A0	SHROUD, RADIATOR :RIGHT.....	0,2
2	4111CB	SHROUD :RIGHT UPPER.....	0,2
3	4111CA	SHROUD :LEFT UPPER.....	0,2
	4111CC	SHROUD :BOTH UPPER.....	0,4
4	4111CE	SHROUD :RIGHT INNER.....	0,2
5	4111CD	SHROUD :LEFT INNER.....	0,2
	4110CF	SHROUD :BOTH INNER.....	0,4
6	115126	SHROUD, RADIATOR :LEFT.....	0,2
7	1151A5	SHROUD, RADIATOR :KEDUA-DUANYA	0,4
	4131Q5	COVER, FUEL TANK CENTER.....	0,2

No. Ref.	No. Part	Deskripsi	Jumlah CB150R (CB150R) 2015(G)	No. Seri	Kode Parts Catalog
1	50260-K15-920RSW	SHROUD, R. (WL)			
	NH196ROSS WHITE	1	-----	----- IN
	50260-K15-920WRD	*R258*WINNING RED	1	-----	----- IN
	50260-K15-920FMB	*NH1*BLACK	1	-----	----- IN
2	50270-K15-920ZC	PANEL, R. SHROUD			
	NH196ROSS WHITE	1	-----	----- IN
	50270-K15-920ZA	*R258*WINNING RED	1	-----	----- IN
	50270-K15-920ZD	*NH1*BLACK	1	-----	----- IN
3	50275-K15-920ZC	PANEL, L. SHROUD			
	NH196ROSS WHITE	1	-----	----- IN
	50275-K15-920ZA	*R258*WINNING RED	1	-----	----- IN
	50275-K15-920ZD	*NH1*BLACK	1	-----	----- IN
4	50280-K15-920	SHROUD, R. INNER.....	1		
5	50285-K15-920	SHROUD, L. INNER.....	1		
6	50265-K15-920RSW	SHROUD, L. (WL)			
	NH196ROSS WHITE	1	-----	----- IN
	50265-K15-920WRD	*R258*WINNING RED	1	-----	----- IN
	50265-K15-920FMB	*NH1*BLACK	1	-----	----- IN
7	64450-K15-920	COVER, FUEL TANK.....	1		
8	64535-MCJ-001	RUBBER, LOWER COWL.....	2		
9	90106-MM4-000	SCREW, PAN, 6X14.....	2		
10	90116-SP0-004	CLIP, BUMPER SEAL.....	2		
11	90132-K15-920	SCREW, PAN, 6X18.5.....	2		
12	93903-24380	SCREW, TAPPING, 4X12.....	10		

F-23

SEAT



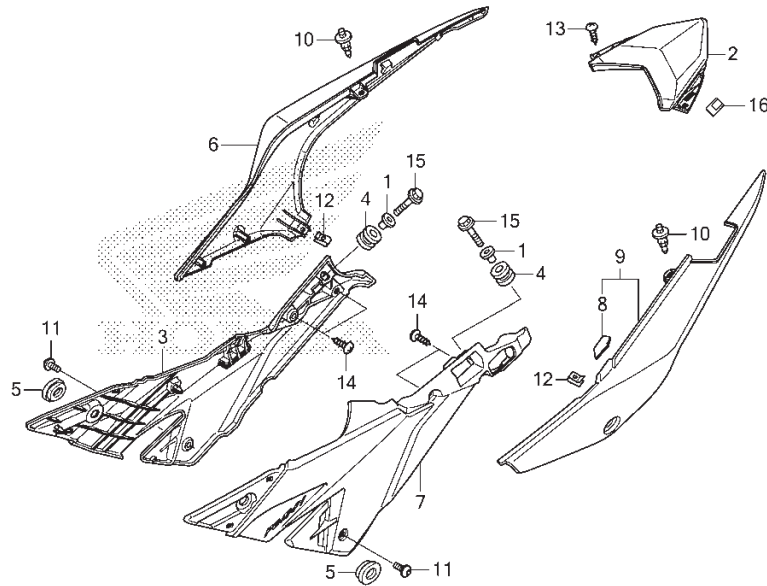
No. Ref.	L.O.N.	(Nomor ref. relatif) Deskripsi	F.R.T.
1	4131F4	RAIL, GRAB :RIGHT.....	0,1
2	4131F3	RAIL, GRAB :LEFT.....	0,1
	4131F5	RAIL, GRAB :KEDUA-DUANYA.....	0,2
4	413150	SEAT.....	0,1
8	4131N5	HOOK, SEAT CATCH.....	0,5
9	4131F2	KEY, SEAT LOCK.....	0,3
10	811175	CABLE, SEAT LOCK.....	0,6

3

No. Ref.	No. Part	Deskripsi	Jumlah CB150R (CB150R) 2015(G)	No. Seri	Kode Parts Catalog
1	50315-K15-920ZA	GRIP, R. RR. *NH303M* MAT AXIS GRAY METALLIC	1		
2	50325-K15-920ZA	GRIP, L. RR. *NH303M* MAT AXIS GRAY METALLIC	1		
3	75581-GN8-920	SPRING, LOCK KEY SETTING.....	1		
4	77200-K15-920ZA	SEAT COMP., DOUBLE.....	1		
5	77205-K45-N00	RUBBER, SEAT SETTING.....	4		
6	77206-KPP-T01	RUBBER, SEAT CUSHION.....	2		
7	77206-KPP-T01	RUBBER, SEAT CUSHION.....	2		
8	77220-KY6-010	HOOK, SEAT CATCH.....	1		
9	77239-KVB-900	KEY, SEAT LOCK.....	1		
10	77240-K15-920	CABLE, SEAT LOCK.....	1		
11	77582-K15-920	STAY, SEAT LOCK CABLE.....	1		
12	95701-06012-08	BOLT, FLANGE, 6X12.....	1		
13	95701-08022-00	BOLT, FLANGE, 8X22.....	4		
14	50316-K15-920	FILM, PROTECTOR.....	2		

F-24

SIDE COWL



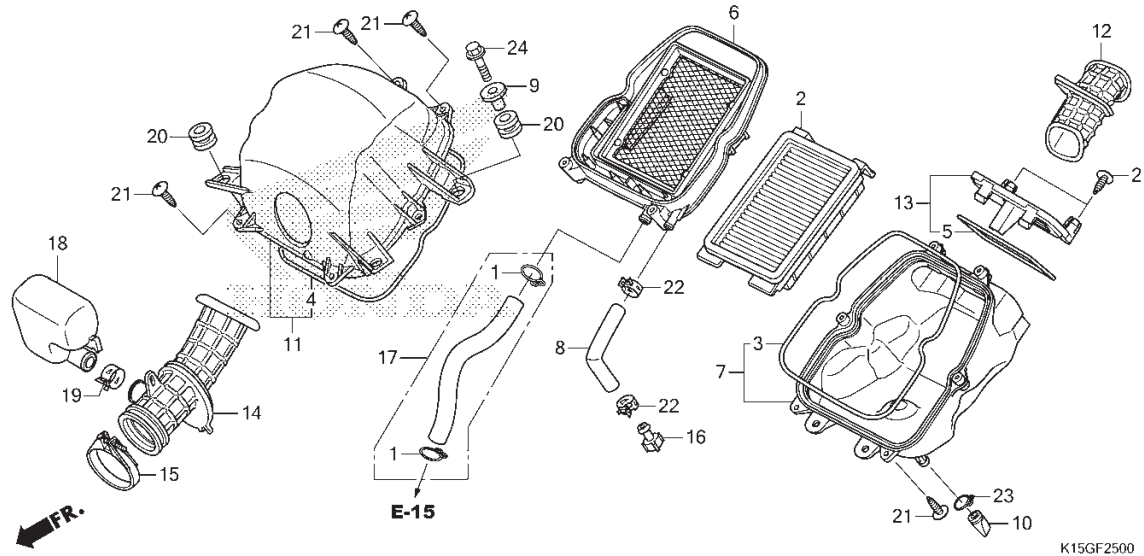
K15GF2400

No. Ref.	L.O.N.	(Nomor ref. relatif) Deskripsi	F.R.T.
2	4111K7	COWL, REAR CENTER.....	0,4
3	4111H9	COVER, SIDE :RIGHT.....	0,2
6	4111X7	COWL, REAR :RIGHT.....	0,2
7	4111H8	COVER, SIDE :LEFT.....	0,3
	4111J0	COVER, SIDE :KEDUA-DUANYA.....	0,5
9	4111X6	COWL, REAR :LEFT.....	0,3
	4111X8	COWL, REAR :KEDUA-DUANYA.....	0,5

No. Ref.	No. Part	Deskripsi	Jumlah CB150R (CB150R) 2015(G)	No. Seri	Kode Parts Catalog
1	17232-KYJ-901	COLLAR, AIR CLEANER MOUNTING..	2		
2	83450-K15-920ZC	COWL, RR. CENTER			
	NH196ROSS WHITE	1	-----	----- IN
	83450-K15-920ZA	*R258*WINNING RED	1	-----	----- IN
	83450-K15-920ZD	*NH1*BLACK	1	-----	----- IN
3	83540-K15-920	COWL, R. SIDE.....	1		
4	83545-KCJ-690	RUBBER, SIDE COVER.....	2		
5	83551-GE2-000	GROMMET, AIR CLEANER CASE.....	2		
6	83610-K15-920RSW	COWL, R. RR. (WL)			
	NH196ROSS WHITE	1	-----	----- IN
	83610-K15-920WRD	*R258*WINNING RED	1	-----	----- IN
	83610-K15-920FMB	*NH1*BLACK	1	-----	----- IN
7	83640-K15-920	COWL, L. SIDE.....	1		
8	83701-K15-920	FILM, RR. COWL PROTECTOR.....	1		
9	83710-K15-920RSW	COWL, L. RR. (WL)			
	NH196ROSS WHITE	1	-----	----- IN
	83710-K15-920WRD	*R258*WINNING RED	1	-----	----- IN
	83710-K15-920FMB	*NH1*BLACK	1	-----	----- IN
10	90116-SPO-004	CLIP, BUMPER SEAL.....	2		
11	90132-KPP-T01	SCREW, PAN, 6X10.....	2		
12	90302-KWW-A00	NUT, SPRING, 4MM.....	2		
13	93903-24320	SCREW, TAPPING, 4X12.....	2		
14	93903-25281	SCREW, TAPPING, 5X12.....	4		
15	96001-06020-00	BOLT, FLANGE, 6X20.....	2		
16	83451-K15-920	RUBBER, RR. CENTER COWL.....	1		

F-25

AIR CLEANER



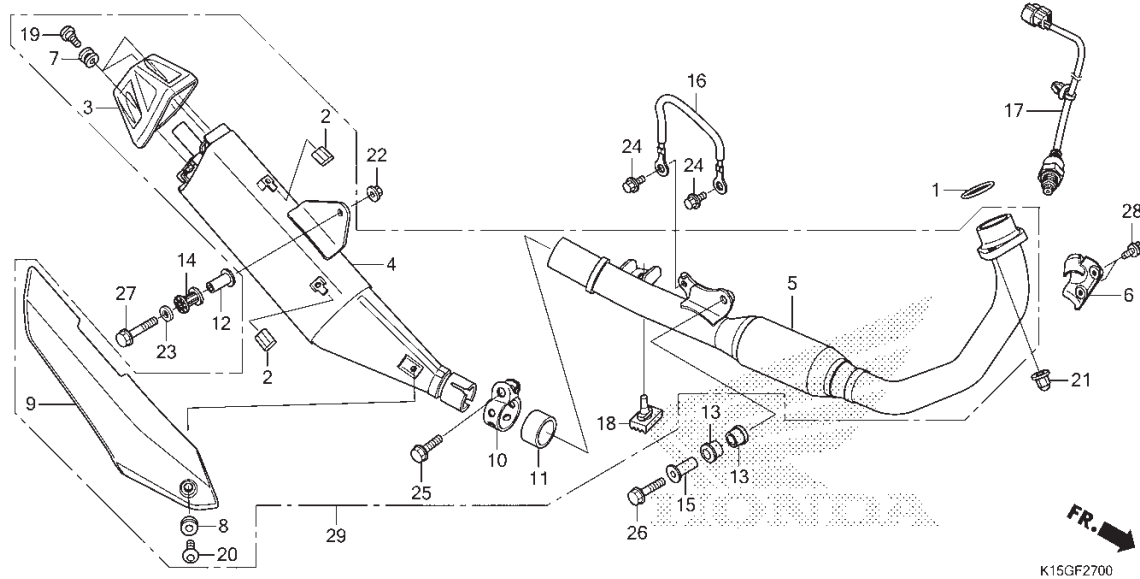
No. Ref.	L.O.N.	(Nomor ref. relatif) Deskripsi	F.R.T.
2		(5)	
312105		ELEMENT, AIR CLEANER.....	0,1
6		(3,4)	
3121A8		BASE, AIR CLEANER ELEMENT.....	0,8
7		3121A5 CASE, AIR CLEANER.....	0,9
11		312102 COVER, AIR CLEANER CASE.....	0,9
12		(13)	
312125		DUCT, AIR CLEANER.....	0,2
14		3121B6 TUBE, AIR CLEANER CONNECTING...	0,9
18		3121C1 RESONATOR.....	0,6

3

No. Ref.	No. Part	Deskripsi	Jumlah CB150R (CB150R) 2015(G)	No. Seri	Kode Parts Catalog
1	15772-MN1-670	CLIP B, BREATHER TUBE.....	2		
2	17211-K15-900	ELEMENT COMP., AIR CLEANER....	1		
3	17213-K15-900	SEAL, AIR CLEANER CASE.....	1		
4	17213-K15-900	SEAL, AIR CLEANER CASE.....	1		
5	17214-K45-N00	SEAL, LID.....	1		
6	17220-K15-900	HOLDER COMP., ELEMENT.....	1		
7	17225-K15-920	CASE SUB ASSY., AIR CLEANER...	1		
8	17227-K15-920	TUBE, DRAIN.....	1		
9	17232-KYJ-901	COLLAR, AIR CLEANER MOUNTING..	2		
10	17234-KCW-871	TUBE, AIR CLEANER DRAIN.....	1		
11	17235-K45-N00	COVER SUB ASSY., AIR CLEANER..	1		
12	17240-K45-N00	DUCT, INLET.....	1		
13	17245-K45-N00	LID SUB ASSY., AIR CLEANER....	1		
14	17253-K15-920	TUBE, AIR CLEANER CONNECTING..	1		
15	17256-K56-N00	BAND, AIR CLEANER CONNECTING TUBE(42)	1		
16	17370-419-701	PLUG, BREATHER TUBE.....	1		
17	17371-K15-920	TUBE ASSY., BREATHER.....	1		
18	17410-K15-920	RESONATOR.....	1		
19	19509-KPH-900	CLAMP, TUBE(D19).....	1		
20	83545-KCJ-690	RUBBER, SIDE COVER.....	4		
21	93903-25480	SCREW, TAPPING, 5X20.....	10		
22	95002-41200-08	CLAMP, TUBE(D12).....	2		
23	95002-80000	CLIP, TUBE(C12).....	1		
24	95701-06020-07	BOLT, FLANGE, 6X20.....	2		

F-27

EXHAUST MUFFLER

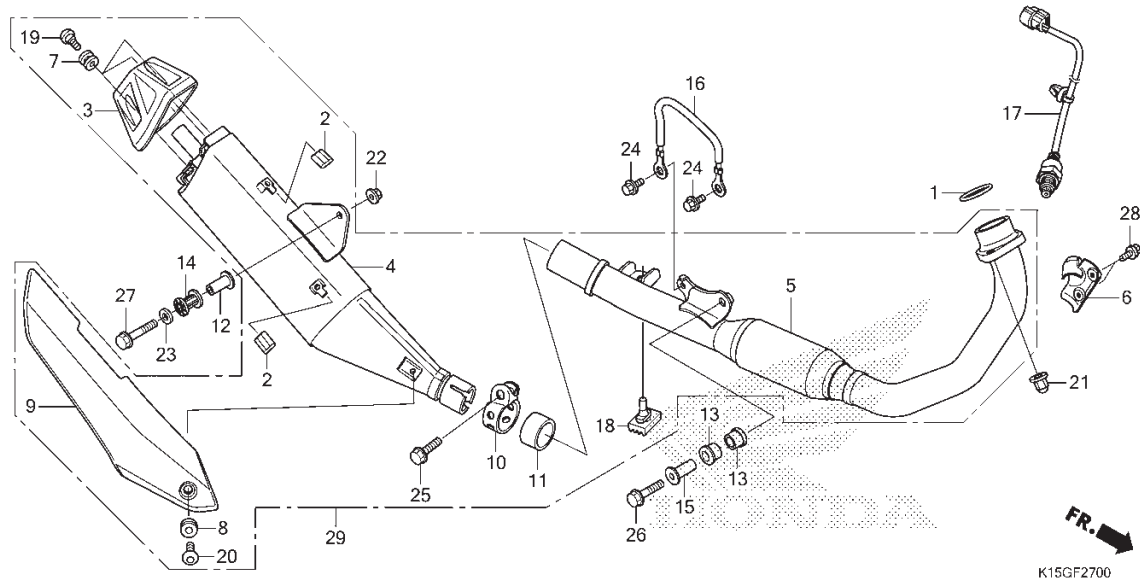


No. Ref.	L.O.N.	(Nomor ref. relatif) Deskripsi	F.R.T.
1	3131B4	GASKET, EXHAUST PIPE.....	0,2
3	3131F2	CAP, MUFFLER END.....	0,1
4	313120	MUFFLER.....	0,1
5	313110	PIPE, EXHAUST.....	0,3
9	411167	COVER, EXHAUST MUFFLER.....	0,1
11	3131C4	GASKET, MUFFLER.....	0,1
16	6111E9	CORD, EARTH.....	0,2
17	617121	SENSOR, OXYGEN.....	0,4

No. Ref.	No. Part	Deskripsi	Jumlah CB150R (CB150R) 2015(g)	No. Seri	Kode Parts Catalog
1	18291-MN5-651	GASKET, EX. PIPE.....	1		
2	18293-MCA-A20	RUBBER, PROTECTOR PACKING.....	2		
3	18306-K15-920	CAP, TAIL.....	1		
4	18310-K15-920	MUFFLER COMP.	1		
5	18320-K15-920	PIPE COMP., EX.....	1		
6	18322-K15-920	COVER, O2 SENSOR.....	1		
7	18345-K15-920	RUBBER, MOUNT.....	3		
8	18345-MBT-610	RUBBER, PROTECTOR MOUNTING....	1		
9	18355-K15-920	COVER, MUFFLER.....	1		
10	18373-MLO-000	BAND, R. EX. PIPE.....	1		
11	18391-MN5-650	PACKING, MUFFLER.....	1		
12	18420-MGZ-J00	COLLAR, MUFFLER MOUNTING.....	1		
13	18421-KPM-940	RUBBER, MUFFLER MOUNTING.....	2		
14	18421-MGZ-J00	RUBBER, MUFFLER MOUNTING.....	1		
15	18422-KAF-700	COLLAR, MUFFLER MOUNTING.....	1		
16	32200-K15-920	SUB CORD, OXYGEN SENSOR EARTH	1		
17	36532-K15-921	SENSOR, OXYGEN.....	1		
18	50524-K15-901	RUBBER, STAND STOPPER.....	1		
19	90113-K15-920	SCREW, PAN, 6X14.....	3		
20	90113-KYJ-710	SCREW, PAN, 6X12.....	1		
21	90304-KPH-701	NUT, HEX. CAP, 8MM.....	2		
22	94050-08000	NUT, FLANGE, 8MM.....	1		
23	94103-08000	WASHER, PLAIN, 8MM.....	1		
24	95701-06010-02	BOLT, FLANGE, 6X10.....	2		
25	95701-08035-02	BOLT, FLANGE, 8X35.....	1		

F-27

EXHAUST MUFFLER

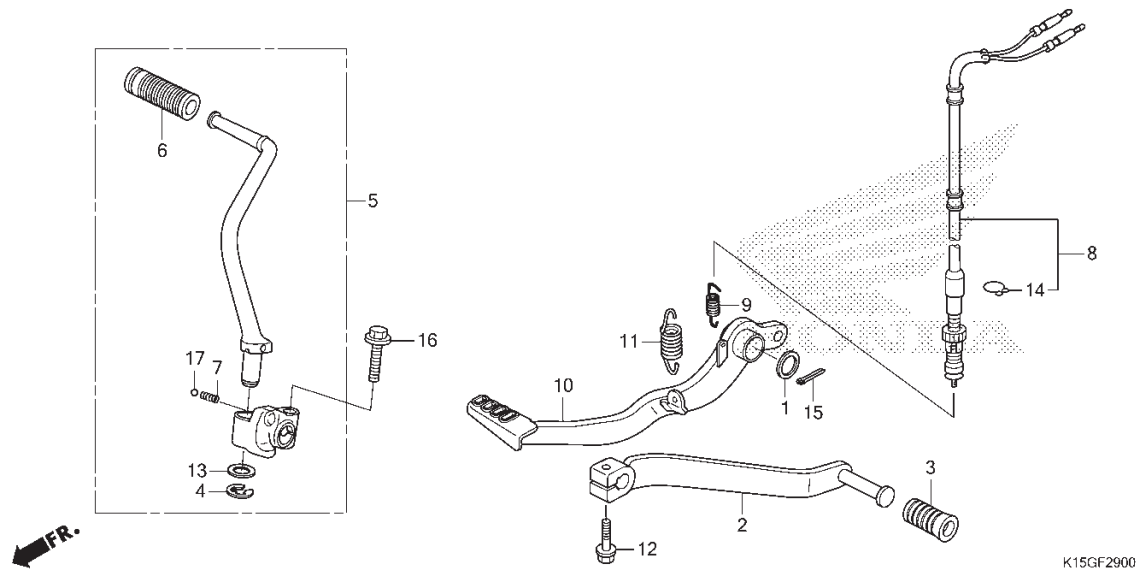


3

No. Ref.	No. Part	Deskripsi	Jumlah CB150R (CB150R) 2015(G)	No. Seri	Kode Parts Catalog
26	95701-08045-00	BOLT, FLANGE, 8X45.....	1		
27	95701-08050-00	BOLT, FLANGE, 8X50.....	1		
28	96001-06010-02	BOLT, FLANGE, 6X10.....	2		
29	1831B-K15-921	MUFFLER COMP., EX.....	1		

F-29

PEDAL

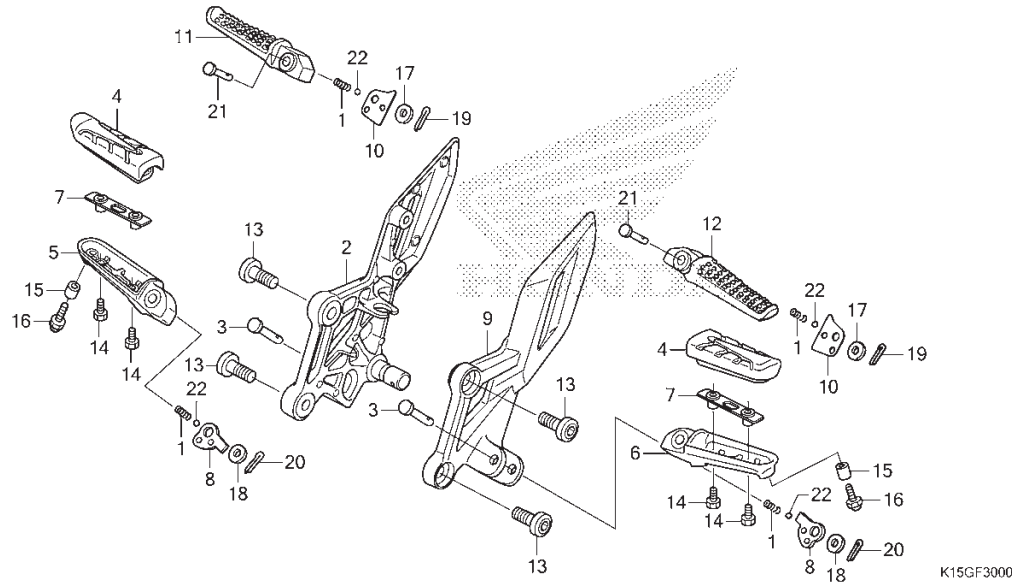


No. Ref.	L.O.N.	(Nomor ref. relatif) Deskripsi	F.R.T.
2	4101A1	PEDAL, GEAR CHANGE.....	0,1
5	112107	ARM, KICK STARTER.....	0,1
8	6151B5	SWITCH, REAR STOP :PEDAL SIDE..	0,4
10	810160	PEDAL, REAR BRAKE.....	0,2

No. Ref.	No. Part	Deskripsi	Jumlah CB150R (CB150R) 2015(G)	No. Seri	Kode Parts Catalog
1	16502-880-000	WASHER, SWITCH BOSS.....	1		
2	24701-K15-920	PEDAL, GEAR CHANGE.....	1		
3	24781-KR3-770	RUBBER, GEAR CHANGE PEDAL.....	1		
4	28293-333-000	CLIP, KICK STARTER ARM.....	1		
5	28300-K15-920	ARM ASSY., KICK STARTER.....	1		
6	28311-K15-900	RUBBER, KICK STARTER.....	1		
7	28333-KK0-000	SPRING, KICK STARTER.....	1		
8	35350-K15-902	SWITCH ASSY., RR. STOP.....	1		
9	35357-HP0-A01	SPRING, STOP SWITCH.....	1		
10	46500-K15-920	PEDAL COMP., BRAKE.....	1		
11	46514-KZ4-J00	SPRING, BRAKE PEDAL.....	1		
12	90102-MN1-670	BOLT, FLANGE, 6X20.....	1		
13	90505-KRM-860	WASHER, 15.5X22.....	1		
14	90601-KAF-003	CLIP, SWITCH COVER.....	1		
15	94201-25220	PIN, SPLIT, 2.5X22.....	1		
16	95701-08035-07	BOLT, FLANGE, 8X35.....	1		
17	96211-08000	BALL, STEEL, #8(1/4).....	1		

F-30

STEP



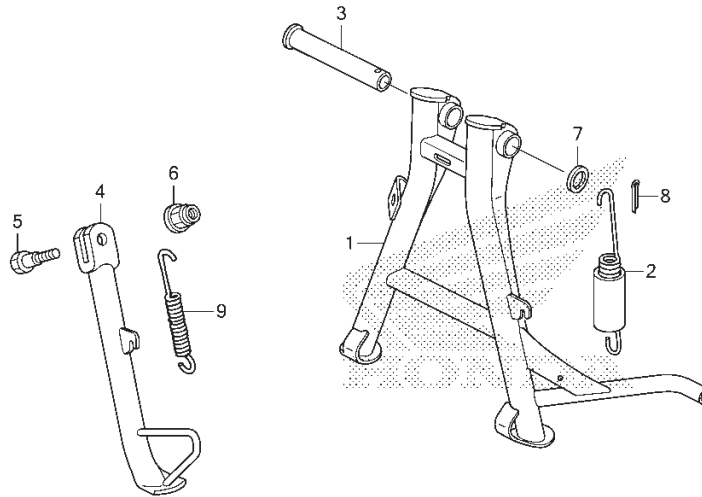
No. Ref.	L.O.N.	(Nomor ref. relatif) Deskripsi	F.R.T.
2	4101N2	HOLDER, STEP :RIGHT.....	0,3
4	4101D3	RUBBER, STEP :LEFT.....	0,1
	4101D4	RUBBER, STEP :RIGHT.....	0,1
	4101L8	RUBBER, STEP :KEDUA-DUANYA....	0,1
5	4101C6	BAR, MAIN STEP :RIGHT.....	0,1
6	4101C5	BAR, MAIN STEP :LEFT.....	0,1
	4101J1	BAR, MAIN STEP :KEDUA-DUANYA...	0,2
9	4101N1	HOLDER, STEP :LEFT.....	0,2
	4101N6	HOLDER, STEP :KEDUA-DUANYA....	0,5
11	4101C8	BAR, PILLION STEP :RIGHT.....	0,1
12	4101C7	BAR, PILLION STEP :LEFT.....	0,1
	4101P4	BAR, PILLION STEP :KEDUA-DUANYA	0,2

3

No. Ref.	No. Part	Deskripsi	Jumlah CB150R (CB150R) 2015(G)	No. Seri	Kode Parts Catalog
1	28333-300-000	SPRING, KICK STARTER STOPPER..	4		
2	50600-K15-920	HOLDER, R. MAIN STEP.....	1		
3	50603-033-010	PIN, STEP BAR JOINT.....	2		
4	50610-K15-900	RUBBER, MAIN STEP.....	2		
5	50611-K15-900	BAR, R. MAIN STEP.....	1		
6	50612-K15-900	BAR, L. MAIN STEP.....	1		
7	50613-K15-900	PLATE, STEP SETTING.....	2		
8	50614-K15-900	PLATE, MAIN STEP CLICK.....	2		
9	50700-K15-920	HOLDER, L. MAIN STEP.....	1		
10	50711-K15-900	PLATE, PILLION STEP CLICK.....	2		
11	50720-KT7-761	BAR, R. PILLION STEP.....	1		
12	50730-KT7-761	BAR, L. PILLION STEP.....	1		
13	90104-K15-920	BOLT, SOCKET, 8X20.....	4		
14	90108-K15-900	BOLT, SPECIAL, 5X14.....	4		
15	90311-K15-900	COLLAR, 6MM.....	2		
16	92501-06016-0A	BOLT, CAP, 6X16.....	2		
17	94101-06000	WASHER, PLAIN, 6MM.....	2		
18	94102-08000	WASHER, PLAIN, 8MM.....	2		
19	94201-16150	PIN, SPLIT, 1.6X15.....	2		
20	94201-20150	PIN, SPLIT, 2.0X15.....	2		
21	95015-81000	PIN A, PILLION STEP.....	2		
22	96211-08000	BALL, STEEL, #8(1/4).....	4		

F-31

STAND



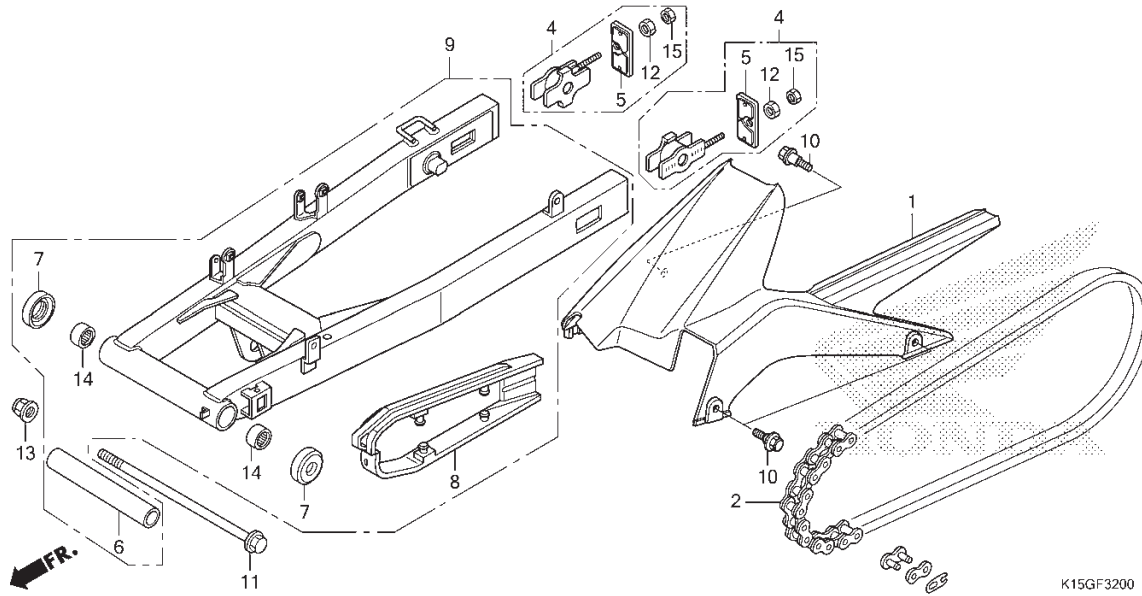
K15GF3100

No. Ref.	L.O.N.	(Nomor ref. relatif) Deskripsi	F.R.T.
1	410175	STAND, MAIN.....	0,6
2	410176	SPRING, MAIN STAND.....	0,2
4	410180	BAR, SIDE STAND.....	0,2
9	410182	SPRING, SIDE STAND.....	0,1

No. Ref.	No. Part	Deskripsi	Jumlah CB150R (CB150R) 2015(G)	No. Seri	Kode Parts Catalog
1	50500-K15-920	STAND COMP., MAIN.....	1		
2	50505-K15-900	SPRING ASSY., MAIN STAND.....	1		
3	50526-K15-900	SHAFT, MAIN STAND PIVOT.....	1		
4	50530-K15-920	BAR COMP., SIDE STAND.....	1		
5	90107-GN1-010	SCREW, SIDE STAND PIVOT.....	1		
6	90304-KGH-901	NUT, U, 10MM.....	1		
7	90521-028-000	WASHER, 17X22.....	1		
8	94201-30300	PIN, SPLIT, 3.0X30.....	1		
9	95014-72102	SPRING A, SIDE STAND.....	1		

F-32

SWINGARM



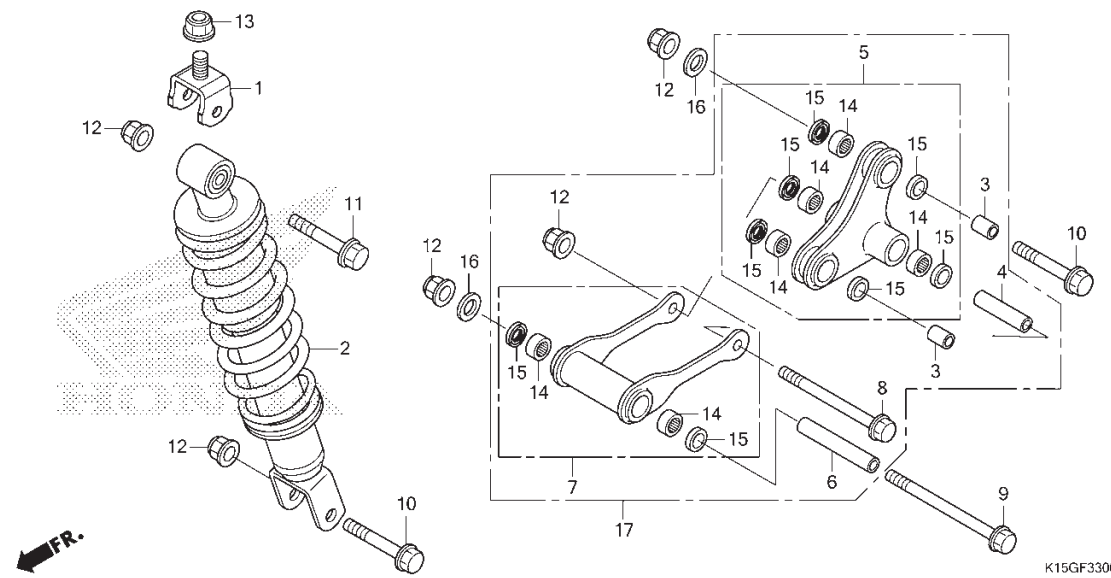
No. Ref.	L.O.N.	(Nomor ref. relatif) Deskripsi	F.R.T.
1	410195	CASE, DRIVE CHAIN.....	0,1
2	213165	CHAIN, DRIVE.....	0,4
8	4101E5	SLIDER, CHAIN.....	0,2
9	5121B0	SWINGARM ASSEMBLY.....	1,6
.CATATAN: Tidak termasuk No. Ref. 6, 7,8			
14	5121C8	BEARING, SWINGARM PIVOT :LEFT..	1,7
	5121C9	BEARING, SWINGARM PIVOT :RIGHT	1,7
	5121D0	BEARING, SWINGARM PIVOT :KEDUA-DUANYA.....	1,8

3

No. Ref.	No. Part	Deskripsi	Jumlah CB150R(CB150R) 2015(G)	No. Seri	Kode Parts Catalog
1	40510-K15-920	CASE, DRIVE CHAIN.....	1		
2	40530-K45-N01	CHAIN, DRIVE(428H-126RB).....	1		
4	4054A-K45-N00	ADJUSTER COMP., CHAIN ASSY. ..	2		
5	40546-K45-N00ZA	CAP, SWINGARM END *NH303M* MAT AXIS GRAY METALLIC	2		
6	52141-K15-900	COLLAR, CENTER PIVOT DISTANCE	1		
7	52144-GC4-003	DUST SEAL, 31X40.5X7.1.....	2		
8	52170-K45-N00	SLIDER, CHAIN.....	1		
9	5210B-K45-920ZA	SWINGARM SUB ASSY., RR. *NH303M* MAT AXIS GRAY METALLIC	1		
10	90111-187-000	BOLT, FLANGE, 6MM.....	3		
11	90121-KSP-900	BOLT, SWINGARM PIVOT.....	1		
12	90302-KBP-900	NUT, SPECIAL, 6MM.....	2		
13	90305-KCJ-951	NUT, U, 14MM.....	1		
14	91071-KSP-901	BEARING, NEEDLE, 20X26X20.....	2		
15	94001-06000-0S	NUT, HEX., 6MM.....	2		

F-33

REAR CUSHION

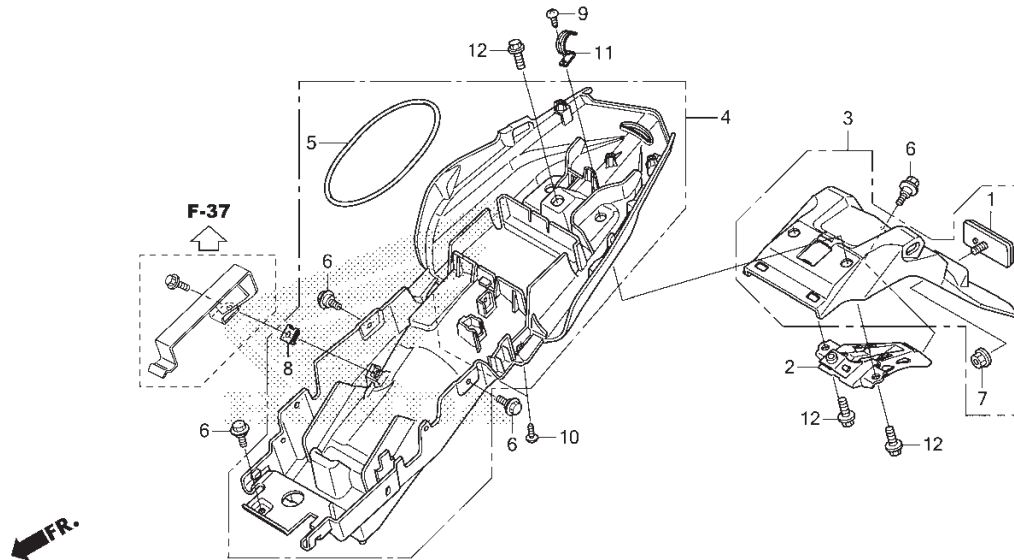


No. Ref.	L.O.N.	(Nomor ref. relatif) Deskripsi	F.R.T.
2		(1)	
512115		CUSHION ASSY., REAR.....	1,2
512140		ARM, CUSHION.....	0,4
512145		ROD, CUSHION CONNECTING.....	0,4
5121D4		BEARING, CUSHION CONNECTING.....	0,6
		ROD.....	0,6
5121H3		BEARING, CUSHION CONNECTING.....	
		ROD :UNTUK 1 KENDARAAN.....	0,7
512146		BEARING, CUSHION ARM.....	0,6
512146A		.Ganti 1 bearing tambahkan.....	0,1
5121D3		BEARING, CUSHION ARM.....	
		:UNTUK 1 KENDARAAN.....	0,9

No. Ref.	No. Part	Deskripsi	Jumlah CB150R (CB150R) 2015(G)	No. Seri	Kode Parts Catalog
1	50175-KYJ-901	HOLDER COMP., RR. CUSHION UPPER	1		
2	52400-K15-921	CUSHION ASSY., RR.	1		
3	52463-KYJ-901	COLLAR B, CUSHION ARM.....	2		
4	52464-KYJ-904	COLLAR C, CUSHION ARM.....	1		
5	52465-K15-900	ARM SUB ASSY., CUSHION.....	1		
6	52472-K15-900	COLLAR, CUSHION CONNECTING ROD	1		
7	52475-K15-900	ROD SUB ASSY., CUSHION CONNECTING	1		
8	90101-KYJ-901	BOLT, FLANGE, 10X106.....	1		
9	90106-K15-900	BOLT, FLANGE, 10X130.....	1		
10	90152-KYJ-901	BOLT, FLANGE, 10X55.....	2		
11	90153-KYJ-901	BOLT, FLANGE, 10X53.....	1		
12	90304-KGH-901	NUT, U, 10MM.....	5		
13	90306-KGH-902	NUT, U, 12MM.....	1		
14	91071-MY1-006	BEARING, NEEDLE, 17X24X17.....	6		
15	91262-KV3-832	DUST SEAL, 17X24X5.....	8		
16	94101-10000	WASHER, PLAIN, 10MM.....	2		
17	5246A-K15-900	ARM SET, CUSHION.....	1		

F-34

REAR FENDER



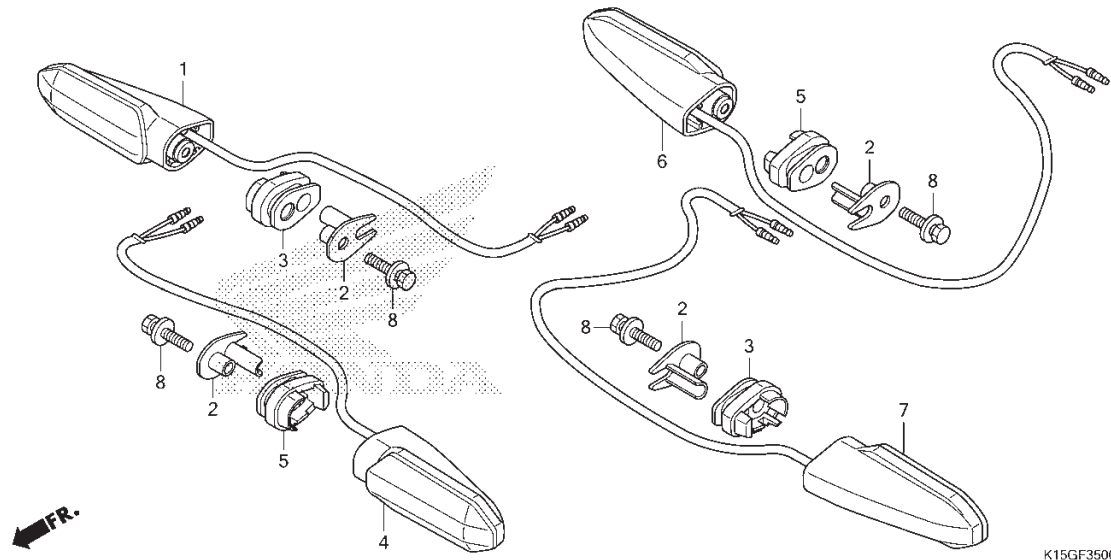
No. Ref.	L.O.N.	(Nomor ref. relatif) Deskripsi	F.R.T.
3		(2)	
413102		FENDER, REAR.....	0,2
		.CATATAN: Tidak termasuk No. Ref. 1,7	
4	413110	FENDER B, REAR.....	1,1
		.CATATAN: Tidak termasuk No. Ref. 5,6,8	

3

No. Ref.	No. Part	Deskripsi	Jumlah CB150R (CB150R) 2015(G)	No. Seri	Kode Parts Catalog
1	33741-KG2-911	REFLECTOR, RR. REFLEX.....	1		
2	50186-K15-920	BRACKET, RR. FENDER.....	1		
3	8010A-K15-920	FENDER, RR. (WL).....	1		
4	8010C-K15-920	FENDER B ASSY., RR.	1		
5	89012-KZL-930	BAND, TOOL.....	1		
6	90111-187-000	BOLT, FLANGE, 6MM.....	4		
7	90301-KGH-901	NUT, U, 6MM.....	1		
8	90320-MM5-000	NUT, SPRING, 6MM.....	1		
9	93903-24320	SCREW, TAPPING, 4X12.....	1		
10	93903-24380	SCREW, TAPPING, 4X12.....	2		
11	94591-45000	CLIP, WIRE, 4X50.....	1		
12	95701-08016-07	BOLT, FLANGE, 8X16.....	3		

F-35

WINKER



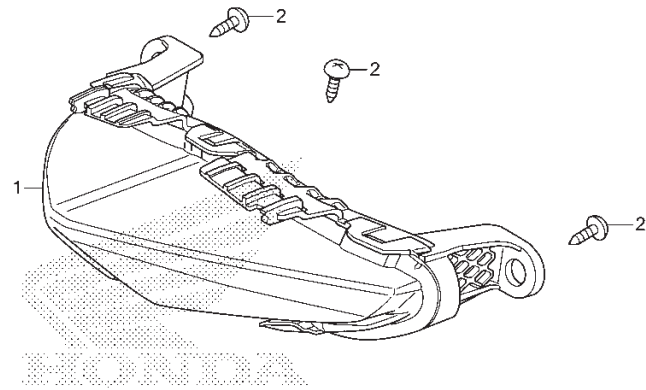
No. Ref.	L.O.N.	(Nomor ref. relatif) Deskripsi	F.R.T.
1	6161C4	WINKER :RIGHT FRONT.....	0,5
4	6161C3	WINKER :LEFT FRONT.....	0,5
	6161C5	WINKER :BOTH FRONT.....	0,6
6	6161C7	WINKER :RIGHT REAR.....	0,3
7	6161C6	WINKER :LEFT REAR.....	0,3
	6161C8	WINKER :BOTH REAR.....	0,4

No. Ref.	No. Part	Deskripsi	Jumlah CB150R (CB150R) 2015(G)	No. Seri	Kode Parts Catalog
1	33400-K15-921	WINKER ASSY., R. FR.	1		
2	33411-K15-920	COLLAR, WINKER.....	4		
3	33412-K15-920	RUBBER, R. WINKER MOUNTING (R. FR./L. RR.)	2		
4	33450-K15-921	WINKER ASSY., L. FR.	1		
5	33452-K15-920	RUBBER, L. WINKER MOUNTING (L. FR./R. RR.)	2		
6	33600-K15-921	WINKER ASSY., R. RR.	1		
7	33650-K15-921	WINKER ASSY., L. RR.	1		
8	93411-05025-00	BOLT-WASHER, 5X25.....	4		

F-36

TAILLIGHT

FR. →



K15GF3600

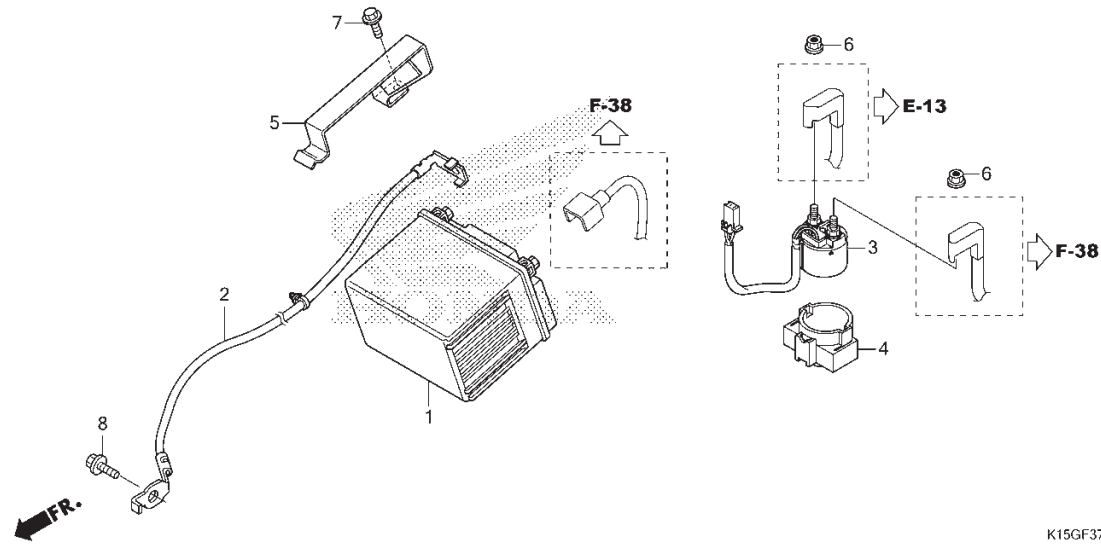
No. Ref.	L.O.N.	(Nomor ref. relatif) Deskripsi	F.R.T.
1	6161D5	TAILLIGHT UNIT.....	0,6

3

No. Ref.	No. Part	Deskripsi	Jumlah CB150R (CB150R) 2015(G)	No. Seri	Kode Parts Catalog
1	33701-K15-921	LIGHT ASSY., TAIL & STOP.....	1		
2	93903-25220	SCREW, TAPPING, 5X12.....	3		

F-37

BATTERY



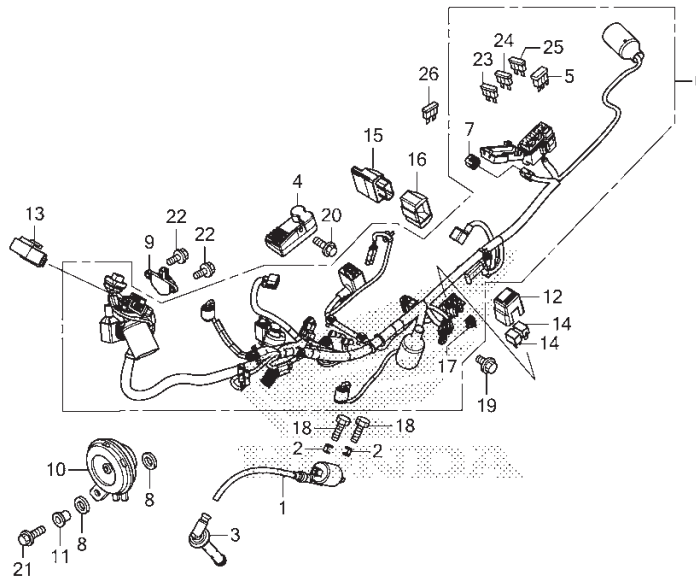
K15GF3700

No. Ref.	L.O.N.	(Nomor ref. relatif) Deskripsi	F.R.T.
1	610100	BATTERY.....	0,2
2	610110	CABLE, NEGATIVE BATTERY.....	0,3
3	615113	SWITCH, STARTER MAGNETIC.....	0,2

No. Ref.	No. Part	Deskripsi	Jumlah CB150R (CB150R) 2015(G)	No. Seri	Kode Parts Catalog
1	31500-KZR-601	BATTERY(YTZ6V) (YU).....	1		
	31500-KZR-602	BATTERY(GTZ6V) (YU).....	1		
2	32412-K15-920	CABLE, EARTH.....	1		
3	35850-K18-901	SWITCH ASSY., STARTER MAGNETIC	1		
4	35856-K15-901	RUBBER, SHOCK(MAGNETIC).....	1		
5	80102-K45-N00	BAND COMP., BATTERY.....	1		
6	94050-0600	NUT, FLANGE, 6MM.....	2		
7	95701-06012-08	BOLT, FLANGE, 6X12.....	1		
8	95701-06014-0	BOLT, FLANGE, 6X14.....	1		

F-38

WIRE HARNESS



K15GF3800

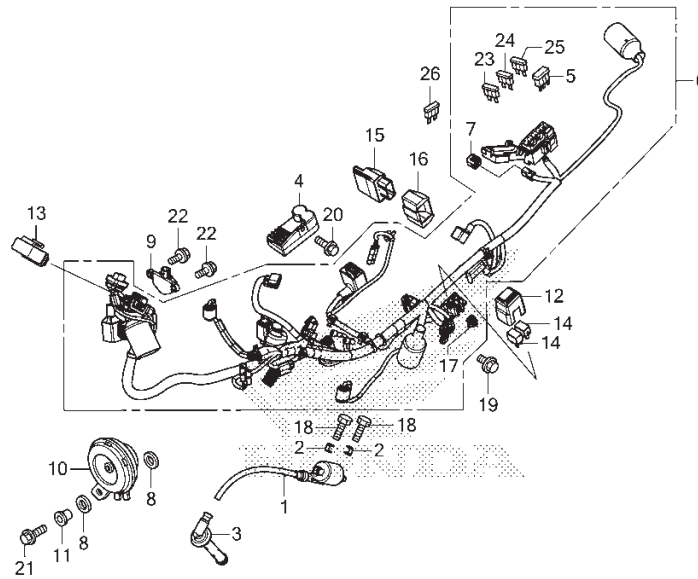
No. Ref.	L.O.N.	(Nomor ref. relatif) Deskripsi	F.R.T.
1	614105	COIL, IGNITION.....	0,9
3	6141E3	CAP, NOISE SUPPRESSOR.....	0,3
4	6131B2	RECTIFIER, REGULATE.....	1,0
6	611100	HARNESS, WIRE.....	1,7
9	617125	SENSOR, BANK ANGLE.....	0,8
10	616169	HORN.....	0,2
13	6111C3	RELAY, WINKER.....	0,4
14	6111D9	RELAY, FAN CONTROL.....	0,9
	611155	RELAY, MAIN.....	0,9
15	618135	ENGINE CONTROL MODULE(ECM).....	1,0

3

No. Ref.	No. Part	Deskripsi	Jumlah CB150R (CB150R) 2015(G)	No. Seri	Kode Parts Catalog
1	30510-K15-921	COIL COMP., IGNITION.....	1		
2	30520-GFM-901	SPACER, IGNITION COIL.....	2		
3	30700-KY2-702	CAP ASSY., NOISE SUPPRESSOR...	1		
4	31600-K15-921	RECTIFIER COMP., REGULATE.....	1		
5	31730-MAS-601	DIODE ASSY., THREE WAY.....	1		
6	32100-K15-920	HARNESS, WIRE.....	1		
7	32606-GEV-762	CAP, DUMMY (4P) (RED).....	1		
8	33714-KL3-620	RUBBER, TAILLIGHT BRACKET.....	2		
9	35160-KVS-751	SENSOR ASSY., BANK ANGLE(M6)..	1		
10	38110-K15-920	HORN COMP. (HIGH).....	1		
11	38117-KPH-880	COLLAR, HORN SETTING.....	1		
12	38200-K56-N00	SUSPENSION, RELAY CASE(2P)....	1		
13	38301-K15-921	RELAY COMP., WINKER(LED).....	1		
14	38501-KVZ-631	RELAY ASSY., POWER (MICRO ISO 4P)(MB)	2		
	38501-KWN-901	RELAY COMP., POWER (MICRO ISO 4P)(OR)	2		
15	38770-K15-921	PGM-FI UNIT.....	1		
16	38771-K25-900	SUSPENSION, ENGINE CONTROL UNIT	1		
17	91536-STK-003	CLIP, RELAY HOLDER(NATURAL)...	1		
18	92101-06020-4J	BOLT, HEX., 6X20.....	2		
19	95701-06010-00	BOLT, FLANGE, 6X10.....	1		
20	95701-06016-00	BOLT, FLANGE, 6X16.....	1		
21	95701-06018-07	BOLT, FLANGE, 6X18.....	1		
22	96001-06014-00	BOLT, FLANGE, 6X14.....	2		
23	98200-40500	FUSE, MINI (5A).....	3		

F-38

WIRE HARNESS

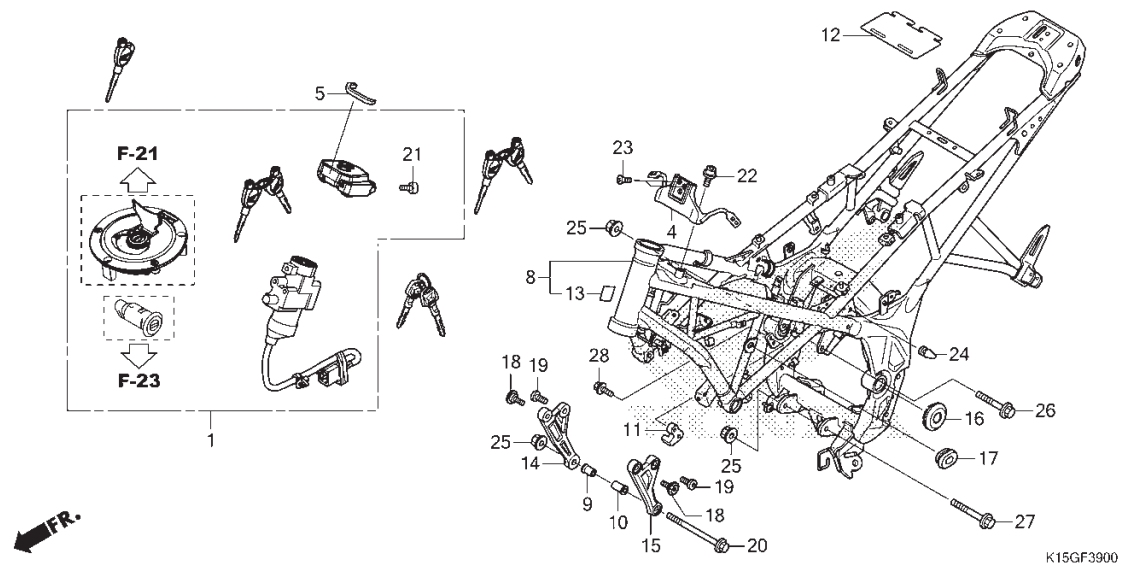


K15GF3800

No. Ref.	No. Part	Deskripsi	Jumlah CB150R (CB150R) 2015(G)	No. Seri	Kode Parts Catalog
24	98200-41001	FUSE, MINI (10A).....	3		
25	98200-42000	FUSE, MINI (20A).....	2		
26	98200-40500	FUSE, MINI (5A).....	1		

F-39

FRAME BODY

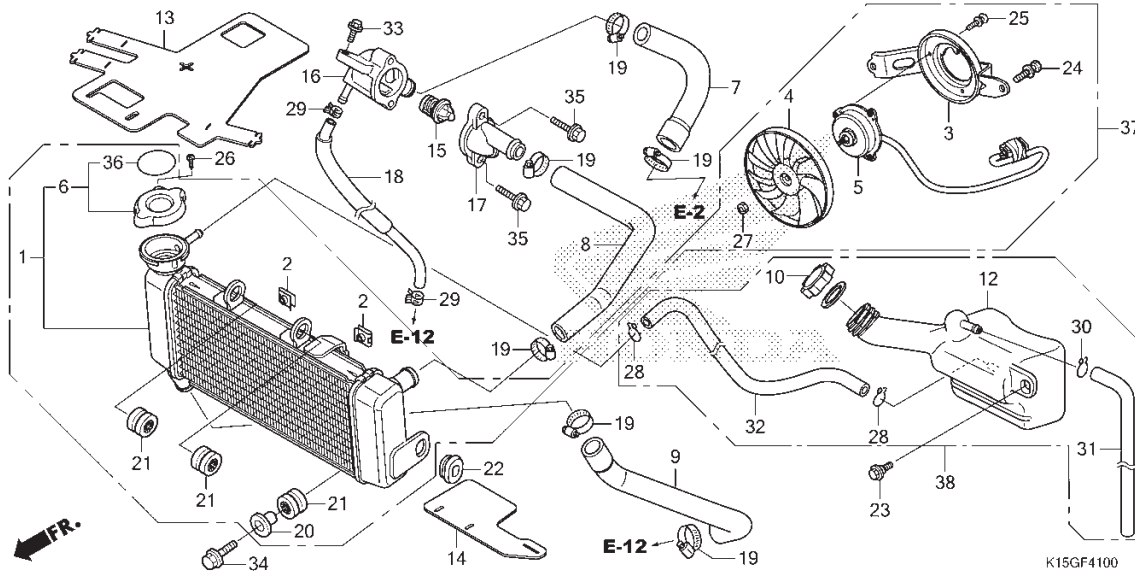


No. Ref.	L.O.N.	(Nomor ref. relatif) Deskripsi	F.R.T.
1	6151A1	KEY SET.....	0,8
8	410100	BODY, FRAME..... .TERMASUK: Penurunan dan pemasangan mesin	6,3

No. Ref.	No. Part	Deskripsi	Jumlah CB150R (CB150R) 2015(G)	No. Seri	Kode Parts Catalog
1	35010-K15-920	KEY SET.....	1		
4	35105-K15-920	STAY COMP., COMBINATION SWITCH	1		
5	35106-K15-920	RUBBER SPONGE, KEY SHUTTER....	1		
8	50010-K15-920ZA	BODY SET, FRAME *NH1*BLACK	1	----- IN	
9	50122-K15-920	COLLAR, R. ENGINE MOUNTING....	1		
10	50123-K15-920	COLLAR, L. ENGINE MOUNTING....	1		
11	50220-K15-920	STOPPER, KICK STARTER.....	1		
12	50234-K15-900	RUBBER, CROSS PLATE GUARD.....	1		
13	50251-K15-920	FILM, PROTECTOR.....	1		
14	50351-K15-920	BRACKET, R. ENGINE HANGER.....	1		
15	50352-K15-920	BRACKET, L. ENGINE HANGER.....	1		
16	52161-KYJ-900	CAP, RR. FORK PIVOT.....	2		
17	83551-300-000	GROMMET, AIR CLEANER CASE.....	2		
18	90103-K15-920	BOLT, SPECIAL, 8X22.....	2		
19	90104-K15-920	BOLT, SOCKET, 8X20.....	2		
20	90111-K15-920	BOLT, FLANGE, 10X239.....	1		
21	90111-MR5-000	BOLT, SOCKET, 5X9.....	1		
22	90131-K15-920	BOLT, TORX, 8X16.....	2		
23	90164-KZL-A00	SCREW, U-LOCK FLAT, 6X12.....	2		
24	90899-422-610	PLUG, CONE TYPE.....	2		
25	94050-10001	NUT, FLANGE, 10MM.....	3		
26	95701-10120-00	BOLT, FLANGE, 10X120.....	1		
27	95701-10130-00	BOLT, FLANGE, 10X130.....	1		
28	96001-06016-07	BOLT, FLANGE, 6X16.....	2		

F-41

RADIATOR



No. Ref.	L.O.N.	(Nomor ref. relatif) Deskripsi	F.R.T.
1	1151C3	RADIATOR.....	0,5
3	115125	SHROUD, RADIATOR.....	0,5
4	1151A6	FAN, COOLING.....	0,5
5	1151A7	MOTOR, FAN.....	0,6
6	1151B8	CAP, RADIATOR.....	0,1
7	1141C8	HOSE, THERMOBODY.....	0,4
8	115103	HOSE, RADIATOR :UPPER.....	1,0
9	115104	HOSE, RADIATOR :LOWER.....	0,4
12	115110	TANK, RADIATOR RESERVE.....	2,7
.TERMASUK: Penurunan dan pemasangan mesin			
15	114116	THERMOSTAT.....	1,2
16	114117	CASE, THERMOSTAT.....	1,1
17	1141B3	COVER, THERMOSTAT.....	1,1
18	1141P7	TUBE, THERMOSTAT CASE.....	0,4

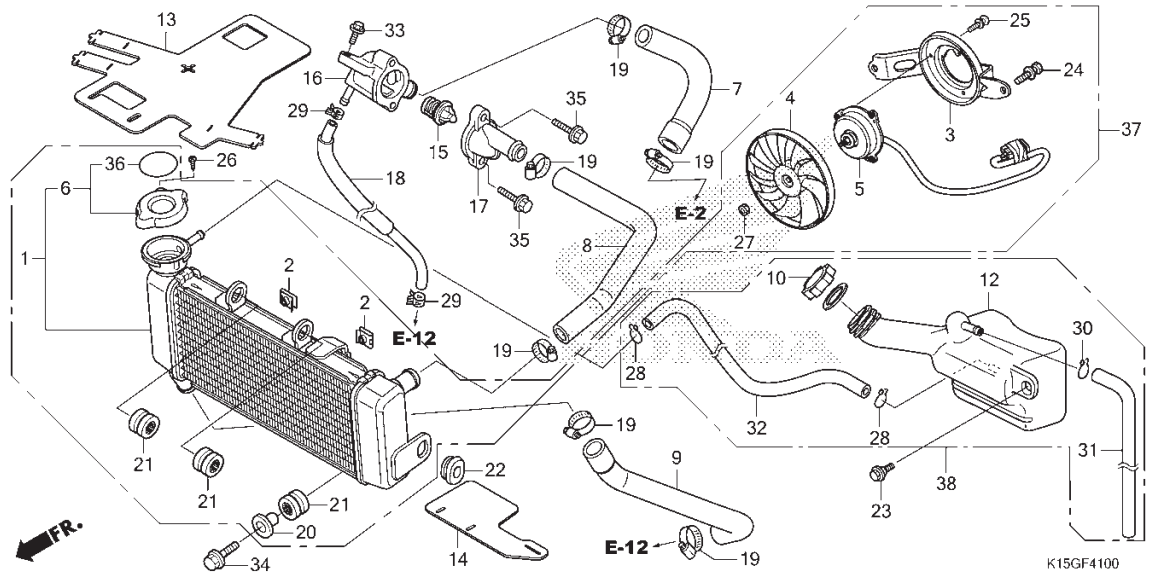
No. Ref.	No. Part	Deskripsi	Jumlah CB150R (CB150R) 2015(G)	No. Seri	Kode Parts Catalog
----------	----------	-----------	--------------------------------------	----------	--------------------

1	19010-K15-921	RADIATOR COMP.	1		
2	19014-KEA-003	NUT, SETTING(6MM).....	2		
3	19015-K15-921	SHROUD COMP.	1		
4	19020-KPP-T02	FAN COMP., COOLING.....	1		
5	19030-K15-921	MOTOR COMP., FAN.....	1		
6	19037-K15-921	CAP COMP., RADIATOR.....	1		
7	19061-K15-920	HOSE, THERMOSTAT.....	1		
8	19062-K15-920	HOSE, RADIATOR UPPER.....	1		
9	19063-K15-920	HOSE, RADIATOR LOWER.....	1		
10	19105-K15-900	CAP ASSY., RESERVE TANK.....	1		
12	19110-K15-900	TANK, RADIATOR RESERVE.....	1		
13	19125-K15-920	RUBBER, HEAT GUARD.....	1		
14	19127-K15-920	RUBBER, RADIATOR LOWER.....	1		
15	19300-K15-921	THERMOSTAT.....	1		
16	19311-K15-920	CASE COMP., THERMOSTAT.....	1		
17	19315-KGH-901	COVER, THERMOSTAT.....	1		
18	19320-K15-920	TUBE A, THERMOSTAT CASE.....	1		
19	19505-K45-N00	CLAMP, WATER HOSE.....	6		
20	61102-KTY-D30	COLLAR, RADIATOR MOUNTING.....	1		
21	61304-415-000	RUBBER, HEADLIGHT CASE MOUNTING	3		
22	64266-MG9-770	GROMMET, SPEAKER PANEL.....	2		
23	90116-KVB-900	BOLT, FLANGE, 6MM.....	1		
24	90120-GHB-601	BOLT-WASHER, 6X12.....	2		
25	93891-04006-07	SCREW-WASHER, 4X6.....	3		
26	93901-22021	SCREW, TAPPING, 3X6.....	1		



F-41

RADIATOR

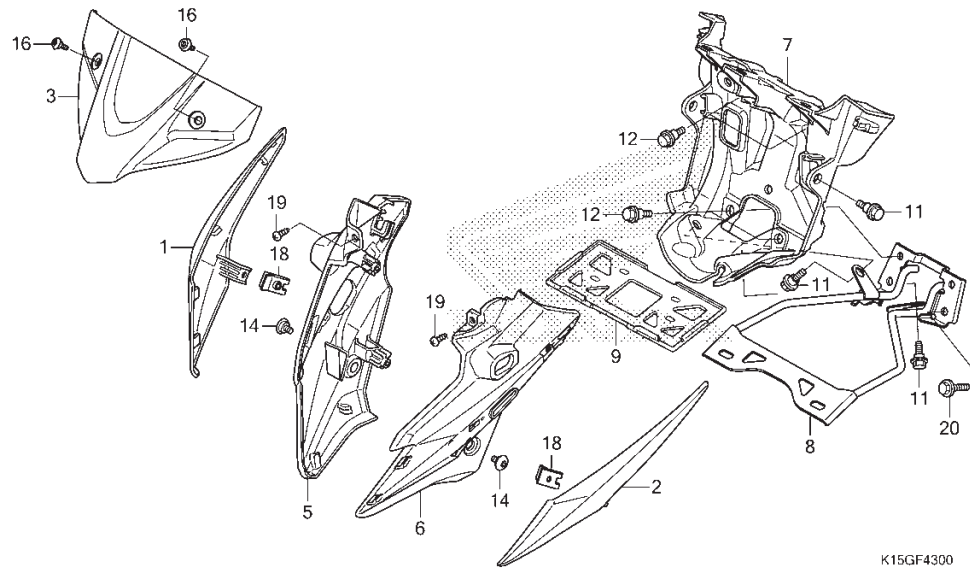


3

No. Ref.	No. Part	Deskripsi	Jumlah CB150R (CB150R) 2015(G)	No. Seri	Kode Parts Catalog
27	94001-03000-0S	NUT, HEX., 3MM.....	1		
28	95002-02100	CLIP, TUBE(B10).....	2		
29	95002-41050-09	CLAMP, TUBE(D10.5).....	2		
30	95002-50000	CLIP, TUBE(C9).....	1		
31	95005-50480-30	TUBE, 5X480.....	1		
32	95005-55650-20	TUBE, 5.3X650 (95005-55001-20M)	1		
33	95701-06016-00	BOLT, FLANGE, 6X16.....	1		
34	95701-06022-01	BOLT, FLANGE, 6X22.....	1		
35	96001-06025-00	BOLT, FLANGE, 6X25.....	2		
36	19046-K15-921	LABEL, RADIATOR CAP.....	1		
37	1900B-K15-920	RADIATOR SET ASSY.	1		
38	1911A-K15-920	TANK RAD, RESERVE.....	1		

F-43

FRONT COWL



No. Ref.	L.O.N.	(Nomor ref. relatif) Deskripsi	F.R.T.
1	4111D1	COWL, SIDE :RIGHT.....	0,1
2	4111D0	COWL, SIDE :LEFT.....	0,1
	4111D2	COWL, SIDE :KEDUA-DUANYA.....	0,1
3		(4,10)	
	8121E3	COVER, METER.....	0,1
5	4111L5	COWL, FRONT :RIGHT.....	0,4
6	4111L4	COWL, FRONT :LEFT.....	0,4
	4111L6	COWL, FRONT :KEDUA-DUANYA.....	0,4
7	413135	COVER, HEADLIGHT.....	0,4

FR.

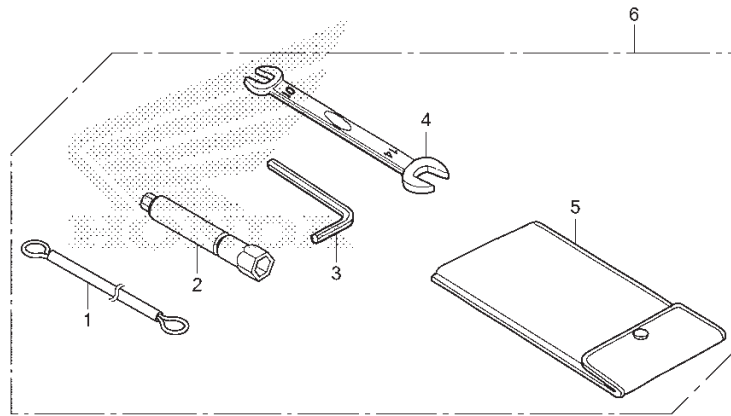
K15GF4300

No. Ref.	No. Part	Deskripsi	Jumlah CB150R (CB150R) 2015(G)	No. Seri	Kode Parts Catalog
1	61302-K15-920ZC	COWL, R. FR. SIDE			
	NH196ROSS WHITE	1	-----	IN
	61302-K15-920ZA	*R258*WINNING RED	1	-----	IN
	61302-K15-920ZD	*NH1*BLACK	1	-----	IN
2	61303-K15-920ZC	COWL, L. FR. SIDE			
	NH196ROSS WHITE	1	-----	IN
	61303-K15-920ZA	*R258*WINNING RED	1	-----	IN
	61303-K15-920ZD	*NH1*BLACK	1	-----	IN
3	61304-K15-920	COVER, METER.....	1	-----	IN
5	61305-K15-920	COWL, R. FR.	1		
6	61306-K15-920	COWL, L. FR.	1		
7	6131B-K15-920	COVER ASSY., HEADLIGHT RR. ...	1		
8	61313-K15-920	STAY, FR. NUMBER PLATE.....	1		
9	61316-KCJ-661	GUARD, NUMBER PLATE.....	1		
11	90101-K15-900	BOLT, SPECIAL, 6MM.....	4		
12	90111-162-000	BOLT, FLANGE, 6MM.....	4		
14	90114-KPH-700	SCREW, SPECIAL, 5X11.....	2		
16	90134-KPP-T01	SCREW, PAN, 5X14.....	2		
18	90677-KAN-T00	NUT, CLIP, 5MM.....	2		
19	93903-25220	SCREW, TAPPING, 5X12.....	2		
20	95701-06022-07	BOLT, FLANGE, 6X22.....	2		

3

F-48

TOOLS



K15GF4800

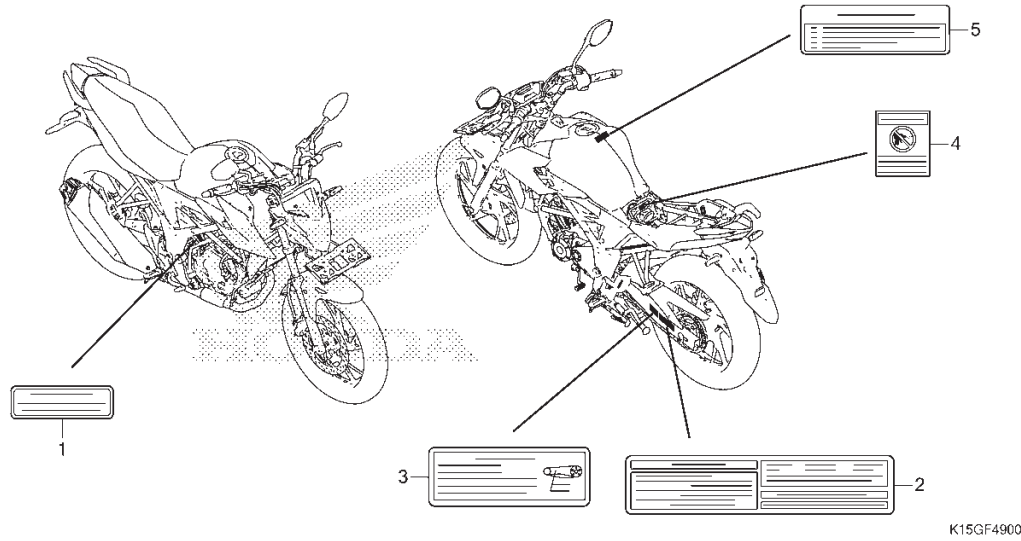
No. Ref.	L.O.N.	(Nomor ref. relatif) Deskripsi	F.R.T.
----------	--------	--------------------------------	--------

TIDAK ADA INFORMASI

No. Ref.	No. Part	Deskripsi	Jumlah CB150R (CB150R) 2015(G)	No. Seri	Kode Parts Catalog
1	77236-KAZ-780	WIRE, HELMET SET.....	1		
2	89216-KPP-900	WRENCH, SPARK PLUG.....	1		
3	89221-429-000	WRENCH, HEX., 5MM.....	1		
4	99001-10140	SPANNER, 10X14.....	1		
5	99008-01600	BAG, TOOL, 160MM.....	1		
6	89010-K15-920	TOOL SET.....	1		

F-49

CAUTION LABEL



No. Ref.	L.O.N.	(Nomor ref. relatif) Deskripsi	F.R.T.
----------	--------	--------------------------------	--------

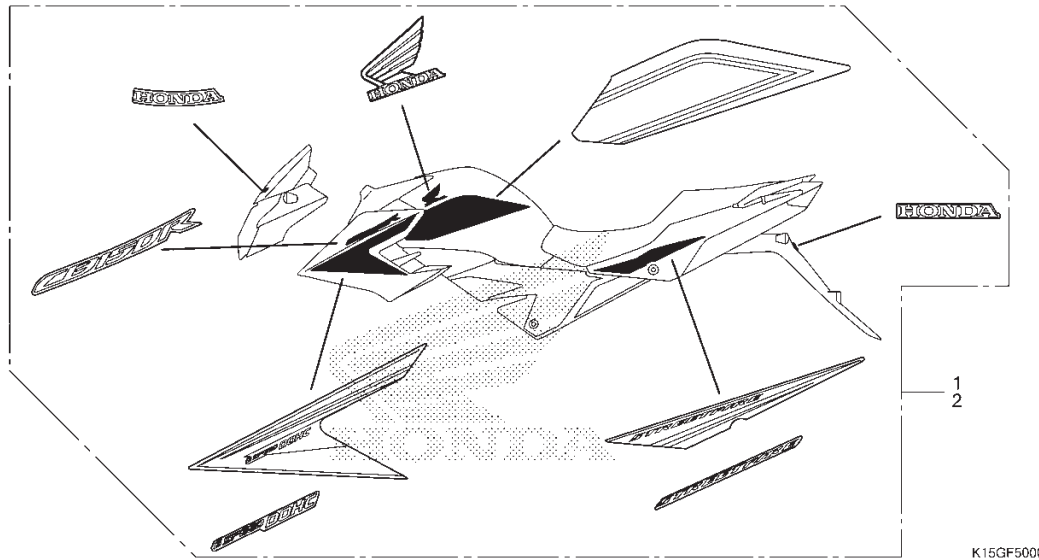
TIDAK ADA INFORMASI

K15GF4900

No. Ref.	No. Part	Deskripsi	Jumlah CB150R (CB150R) 2015(G)	No. Seri	Kode Parts Catalog
1	87503-KVB-930	LABEL, COOLANT INFORMATION	1		
2	87505-K45-N00	LABEL, TIRE.....	1		
3	87507-K15-900	LABEL, DRIVE CHAIN.....	1		
4	87509-KWW-A40	LABEL, AIR CLEANER ELEMENT NOTICE	1		
5	87560-KVB-930	LABEL, DRIVE CAUTION.....	1		

F-50

MARK/STRIPE



No. Ref. L.O.N. (Nomor ref. relatif) Deskripsi F.R.T.

TIDAK ADA INFORMASI

3

No. Ref.	No. Part	Deskripsi	Jumlah CB150R (CB150R) 2015(G)	No. Seri	Kode Parts Catalog
1	871X0-K15-920ZAR	STRIPE SET, R.			
		NH1BLACK	1	-----	----- IN
	871X0-K15-920ZBR	*R258*WINNING RED	1	-----	----- IN
	871X0-K15-920ZCR	*NH196*ROSS WHITE	1	-----	----- IN
2	871X0-K15-920ZAL	STRIPE SET, L.			
		NH1BLACK	1	-----	----- IN
	871X0-K15-920ZBL	*R258*WINNING RED	1	-----	----- IN
	871X0-K15-920ZCL	*NH196*ROSS WHITE	1	-----	----- IN

INDEKS NOMOR PART

Nomor Part	No. Blok	Ref	Nomor Part	No. Blok	Ref	Nomor Part	No. Blok	Ref	Nomor Part	No. Blok	Ref
(00000)			14451-K56-N00	E-3	6	14952-KT7-013	E-3	14	17410-K15-920	F-25	18
			14510-K56-N00	E-4	2	14953-KT7-013	E-3	14	17510-K15-920	F-21	8
06435-KRE-G31	F-17	1	14515-K56-N00	E-4	3	14954-KT7-013	E-3	14		F-21	8
06451-GE2-406	F-12-10	1	14520-KPP-T01	E-4	4	14955-KT7-013	E-3	14		F-21	8
06451-MA7-406	F-17	2	14521-KPP-900	E-15	4	14956-KT7-013	E-3	14	17525-K15-900	F-21	3
06455-KPP-N01	F-12-10	2	14531-KPP-900	E-15	5	14957-KT7-013	E-3	14	17525-K15-920	F-21	4
06531-KW6-840	F-9	1	14546-K56-N00	E-4	5	14958-KT7-013	E-3	14	17527-K15-920	F-21	6
			14560-KSP-910	E-4	6	14959-KT7-013	E-3	14	17529-K15-920	F-21	7
(10000)			14611-K56-N00	E-4	7	14960-KT7-013	E-3	14	1752A-K15-920	F-21	5
			14711-K56-N00	E-3	7	14961-KT7-013	E-3	14	17560-K56-N00	E-23	12
11100-K56-305	E-15	1	14721-K56-N00	E-3	8	14962-KT7-013	E-3	14	17572-GHB-601	F-21	9
11102-K56-N00	E-6	1	14751-K56-N01	E-3	9	14963-KT7-013	E-3	14	17573-GHB-601	F-21	10
11200-K56-305	E-15	2	14761-K56-N01	E-3	10	14964-KT7-013	E-3	14	17613-KPP-T01	F-21	11
11330-K56-N00	E-6	2	14771-MFL-000	E-3	11	14965-KT7-013	E-3	14	17650-K15-921	F-21	14
11333-KGH-901	E-6	3	14775-K56-N00	E-3	12	14966-KT7-013	E-3	14	17910-K15-921	F-4	1
11334-K56-N00	E-6	4	14781-MLO-720	E-3	13	14967-KT7-013	E-3	14	17920-K15-921	F-4	2
11335-K15-920	E-15	3	14913-KT7-013	E-3	14	14968-KT7-013	E-3	14	18291-MN5-651	F-27	1
11336-K15-920	E-6	5	14914-KT7-013	E-3	14	14969-KT7-013	E-3	14	18293-MCA-A20	F-27	2
11341-K56-N00	E-10	1	14915-KT7-013	E-3	14	15100-KPP-T01	E-14	2	18306-K15-920	F-27	3
11360-K15-920	E-10	2	14916-KT7-013	E-3	14	15133-KPP-T00	E-14	3	18310-K15-920	F-27	4
11394-K56-N00	E-6	6	14917-KT7-013	E-3	14	15421-KSP-910	E-15	6	1831B-K15-921	F-27	29
11395-K56-N00	E-10	3	14918-KT7-013	E-3	14	1565A-K15-920	E-6	7	18320-K15-920	F-27	5
12010-K56-N00	E-2	1	14919-KT7-013	E-3	14	15772-MN1-670	F-25	1	18322-K15-920	F-27	6
12100-K56-N00	E-5	1	14920-KT7-013	E-3	14	16060-KVS-J01	E-23	1	18345-K15-920	F-27	7
12191-K56-N01	E-5	2	14921-KT7-013	E-3	14	16075-K40-F01	E-23	2	18345-MBT-610	F-27	8
12205-KYJ-305	E-2	2	14922-KT7-013	E-3	14	16076-K35-V01	E-23	3	18355-K15-920	F-27	9
12207-KYJ-900	E-2	3	14923-KT7-013	E-3	14	16077-K35-V01	E-23	4	18373-MLO-000	F-27	10
12209-K56-N01	E-3	1	14924-KT7-013	E-3	14	16081-K56-N01	E-23	5	18391-MN5-650	F-27	11
12209-MLO-722	E-3	1	14925-KT7-013	E-3	14	16169-K56-N01	E-23	6	18420-MGZ-J00	F-27	12
12251-K56-N01	E-2	4	14926-KT7-013	E-3	14	16400-K56-N01	E-23	7	18421-KPM-940	F-27	13
12251-K56-N02	E-2	4	14927-KT7-013	E-3	14	16410-K56-N01	E-23	8	18421-MGZ-J00	F-27	14
12311-K56-N00	E-1	1	14928-KT7-013	E-3	14	16430-K56-N01	E-23	9	18422-KAF-700	F-27	15
12391-K56-N00	E-1	2	14929-KT7-013	E-3	14	16450-K15-921	E-23	10	1900B-K15-920	F-41	37
13000-K56-N00	E-16	1	14930-KT7-013	E-3	14	16472-KPC-D51	E-23	11	19010-K15-921	F-41	1
13011-K56-N00	E-16	2	14931-KT7-013	E-3	14	16502-880-000	F-29	1	19014-KEA-003	F-41	2
13021-K56-N00	E-16	2	14932-KT7-013	E-3	14	16700-K45-N01	F-21	1	19015-K15-921	F-41	3
13031-K56-N00	E-16	2	14933-KT7-013	E-3	14	16707-K45-N01	F-21	2	19020-KPP-T02	F-41	4
13101-K56-N00	E-16	3	14934-KT7-013	E-3	14	17111-K15-920	E-2	5	19030-K15-921	F-41	5
13102-K56-N00	E-16	3	14935-KT7-013	E-3	14	17211-K15-900	F-25	2	19037-K15-921	F-41	6
13103-K56-N00	E-16	3	14936-KT7-013	E-3	14	17213-K15-900	F-25	3	19046-K15-921	F-41	36
13111-K56-N00	E-16	4	14937-KT7-013	E-3	14		F-25	4	19061-K15-920	F-41	7
13115-KZY-701	E-16	5	14938-KT7-013	E-3	14	17214-K45-N00	F-25	5	19062-K15-920	F-41	8
13420-K56-N00	E-16	6	14939-KT7-013	E-3	14	17220-K15-900	F-25	6	19063-K15-920	F-41	9
13422-KPP-862	E-16	7	14940-KT7-013	E-3	14	17225-K15-920	F-25	7	1906A-K15-900	E-2	6
13423-KPP-860	E-16	7	14941-KT7-013	E-3	14	17227-K15-920	F-25	8	19105-K15-900	F-41	10
13424-KPP-860	E-16	7	14942-KT7-013	E-3	14	17232-KYJ-901	F-24	1	19110-K15-900	F-41	12
13425-KGH-900	E-16	8	14943-KT7-013	E-3	14	17232-KYJ-901	F-25	9	1911A-K15-920	F-41	38
13425-KWC-900	E-16		14944-KT7-013	E-3	14	17234-KCW-871	F-25	10	19125-K15-920	F-41	13
13427-KPP-860	E-16	9	14945-KT7-013	E-3	14	17235-K45-N00	F-25	11	19127-K15-920	F-41	14
13538-KGH-901	E-16	10	14946-KT7-013	E-3	14	17240-K45-N00	F-25	12	19215-KGH-901	E-12	1
14110-K56-N00	E-3	2	14947-KT7-013	E-3	14	17245-K45-N00	F-25	13	19217-P72-014	E-12	2
14210-K56-N00	E-3	3	14948-KT7-013	E-3	14	17253-K15-920	F-25	14	19220-K15-920	E-12	3
14401-K56-N01	E-4	1	14949-KT7-013	E-3	14	17256-K56-N00	F-25	15	19226-K56-N00	E-12	4
14430-K56-N00	E-3	4	14950-KT7-013	E-3	14	17370-419-701	F-25	16	19241-K56-N00	E-12	5
14440-K56-N00	E-3	5	14951-KT7-013	E-3	14	17371-K15-920	F-25	17	19242-K56-N00	E-12	6



INDEKS NOMOR PART

Nomor Part	No. Blok	Ref	Nomor Part	No. Blok	Ref	Nomor Part	No. Blok	Ref	Nomor Part	No. Blok	Ref
19300-K15-921	F-41	15	24652-035-000	E-19	12	33600-K15-921	F-35	6	42704-MER-D00	F-19-40	10
19311-K15-920	F-41	16	24701-K15-900	F-29	2	33650-K15-921	F-35	7	42705-MER-D00	F-14-40	1
19315-KGH-901	F-41	17	24781-KR3-770	F-29	3	33701-K15-921	F-36	1		F-19-40	10
19320-K15-920	F-41	18	28110-KGH-911	E-9	1	33714-KL3-620	F-38	8	42706-MER-D00	F-14-40	1
19505-K45-N00	F-41	19	28125-HC3-017	E-9	2	33741-KG2-911	F-34	1		F-19-40	10
19509-KPH-900	F-25	19	28131-K15-901	E-9	3	35010-K15-920	F-39	1	42711-KPP-T01	F-19-40	11
			28132-KGH-911	E-9	4	35105-K15-920	F-39	4	42753-KWF-901	F-14-40	2
	(20000)		28133-KPP-901	E-9	5	35106-K15-920	F-39	5		F-19-40	12
			28211-K56-N00	E-20	1	35130-K15-921	F-4	5	43107-MA7-007	F-17	3
22100-K56-N01	E-8	1	28215-KGH-901	E-20	2	35152-KRY-971	F-4	6	43108-KSP-B51	F-17	4
22105-K56-N00	E-8	2	28221-K56-N00	E-20	3	35160-KVS-751	F-38	9	43112-KSP-B01	F-17	5
22121-K56-N01	E-8	3	28223-KM7-702	E-20	4	35200-K15-921	F-4	7	43150-KSP-B02	F-17	6
22201-K56-N01	E-8	4	28251-K15-900	E-20	5	35330-413-003	F-4	8	43155-K15-900	F-15	1
22321-KWW-742	E-8	5	28254-437-001	E-20	6	35340-MGS-D31	F-5	1	43190-KSP-B01	F-17	7
22350-K56-N01	E-8	6	28261-KGH-901	E-20	7	35350-K15-902	F-29	8	43215-KGH-902	F-17	8
22361-K56-N01	E-8	7	28282-KGH-901	E-20	8	35357-HP0-A01	F-29	9	43251-KCJ-672	F-19-40	13
22401-K56-N01	E-8	8	28293-333-000	F-29	4	35751-KPH-900	E-19	13	43310-K15-920	F-15	2
22810-K56-N00	E-6	8	28300-K15-920	F-29	5	35752-KPH-901	E-19	14	43352-568-004	F-12-10	3
22815-KM7-700	E-6	9	28311-K15-900	F-29	6	35759-K15-921	E-15	7		F-17	9
22821-K56-N00	E-6	10	28333-300-000	F-30	1	35850-K18-901	F-37	3	43353-461-772	F-12-10	4
22849-K15-900	E-8	9	28333-KK0-000	F-29	7	35856-K15-901	F-37	4		F-17	10
22870-K15-920	F-4	3				36532-K15-921	F-27	17	43503-MER-D01	F-15	3
23121-K56-N00	E-8	10		(30000)		37100-K15-921	F-2	1	43504-MB2-007	F-15	4
23122-K56-N00	E-8	10				37130-K15-921	F-2	2	43510-K15-921	F-15	5
23123-K56-N00	E-8	10	30510-K15-921	F-38	1	37215-KZZ-900	F-2	3	43511-KW7-882	F-15	6
23211-K56-N00	E-17	1	30520-GFM-901	F-38	2	37610-K15-921	F-2	4	43512-K15-921	F-15	7
23221-K56-N00	E-17	2	30700-KY2-702	F-38	3	37620-K15-921	F-2	5	43513-KBP-882	F-15	8
23415-HB3-001	E-17	3	31110-K15-921	E-11	1	37700-K56-N01	E-15	8	43514-KS6-702	F-15	9
23421-K56-N00	E-17	4	31120-K15-921	E-11	2	37800-K45-N01	F-21	15	43520-MJ6-316	F-15	10
23431-K56-N00	E-17	5	31200-K56-N01	E-13	1	37870-KZR-601	E-2	8	43530-KBA-921	F-15	11
23441-K56-N00	E-17	6	31201-KPT-A01	E-13	2	38110-K15-920	F-38	10	44301-K45-N00	F-14-40	3
23442-K56-N00	E-17	7	31204-KG8-004	E-13	3	38117-KPH-880	F-38	11	44311-K45-N00	F-14-40	4
23451-K56-N00	E-17	8	31205-KTC-921	E-13	4	38200-K56-N00	F-38	12	44601-K15-920ZB	F-14-40	6
23461-K56-N00	E-17	9	31206-KPP-T01	E-13	5	38301-K15-921	F-38	13	44620-K15-920	F-14-40	5
23465-K56-N00	E-17	10	31207-MBE-009	E-13	6	38501-KVZ-631	F-38	14	44711-KPP-T01	F-14-40	7
23481-K56-N00	E-17	11	31500-KZR-601	F-37	1	38501-KWN-901	F-38	14	45107-GE2-007	F-12-10	5
23491-K56-N00	E-17	12	31500-KZR-602	F-37	1	38770-K15-921	F-38	15	45108-KPH-951	F-12-10	6
23492-KSP-910	E-17	13	31600-K15-921	F-38	4	38771-K25-900	F-38	16	45111-MAJ-G42	F-12-10	7
23501-K56-N00	E-17	14	31730-MAS-601	F-38	5					F-17	11
23502-KTY-D30	E-17	15	31919-K25-601	E-2	7		(40000)		45126-K15-920	F-5	2
23511-K56-N00	E-17	16	31919-K25-602	E-2	7	40510-K15-920	F-32	1	45131-GZ0-007	F-12-10	8
23521-K56-N00	E-17	17	32100-K15-920	F-38	6	40530-K45-N01	F-32	2	45132-166-017	F-12-10	9
23801-KBP-901	E-17	18	32123-K56-N00	E-10	4	40546-K45-N00ZA	F-32	5	45133-MA3-007	F-12-10	10
23811-KR3-600	E-17	19	32161-404-000	F-4	4	4054A-K45-N00	F-32	4		F-17	13
24211-K56-N00	E-19	1	32200-K15-920	F-27	16	41200-K45-N00	F-19-40	2	45155-K15-920	F-5	3
24212-KPP-901	E-19	2	32410-K15-920	E-13	7	41241-KSP-900	F-19-40	1	45156-K45-N00	F-5	4
24213-K56-N00	E-19	3	32411-253-001	E-13	8	42301-K45-N00	F-19-40	3	45203-MCC-007	F-17	14
24241-KPP-901	E-19	4	32412-K15-920	F-37	2	42303-KPP-T01	F-19-40	4	45215-KPH-951	F-12-10	11
24301-K56-N00	E-19	5	32606-GEV-762	F-38	7	42311-K45-N00	F-19-40	5	45216-166-007	F-12-10	12
24410-K15-900	E-19	6	3310A-K15-920	F-1	1	42313-K45-N00	F-19-40	6	45250-KPY-932	F-12-10	13
24430-K56-N00	E-19	7	33400-K15-921	F-35	1	42601-K15-920ZB	F-19-40	9	45251-K45-N01	F-14-40	8
24436-KTY-D30	E-19	8	33411-K15-920	F-35	2	42611-KSP-B00ZB	F-19-40	7	45290-KPP-901	F-12-10	14
24610-KPP-900	E-19	9	33412-K15-920	F-35	3	42620-KPP-T01	F-19-40	8	45504-410-004	F-5	5
24641-KBP-901	E-19	10	33450-K15-921	F-35	4	42704-MER-D00	F-14-40	1	45510-K26-901	F-5	6
24651-KTY-D30	E-19	11	33452-K15-920	F-35	5						

INDEKS NOMOR PART

Nomor Part	No. Blok	Ref	Nomor Part	No. Blok	Ref	Nomor Part	No. Blok	Ref	Nomor Part	No. Blok	Ref
45512-MA6-007	F-5	7	50700-K15-920	F-30	9	61100-K15-920ZD	F-10	1	83610-K15-920FMB	F-24	6
45513-HA2-007	F-5	8	50711-K15-900	F-30	10	61101-K15-920	F-10	2	83610-K15-920RSW	F-24	6
45517-166-007	F-4	9	50720-KT7-761	F-30	11	61102-KTY-D30	F-41	20	83610-K15-920WRD	F-24	6
	F-5	9	50730-KT7-761	F-30	12	61103-KPF-911	F-10	3	83640-K15-920	F-24	7
45520-GE2-007	F-5	10	51400-K15-921	F-11	1	61103-KRY-900	F-10	4	83701-K15-920	F-24	8
45520-GW0-912	F-15	12	51401-K15-901	F-11	2	61104-422-000	F-21	16	83710-K15-920FMB	F-24	9
45521-GW0-913	F-15	13	51402-K15-921	F-11	3	61105-K45-N00	F-10	5	83710-K15-920RSW	F-24	9
45521-K21-902	F-5	11	51403-447-731	F-11	4	61105-KRY-900	F-10	6	83710-K15-920WRD	F-24	9
45530-471-831	F-5	12	51410-K15-901	F-11	5	61302-K15-920ZA	F-43	1	84703-425-001	F-21	19
46182-MEL-D21	F-15	14	51412-KFN-851	F-11	6	61302-K15-920ZC	F-43	1	86150-KPG-901	F-7	10
46500-K15-920	F-29	10	51412-KSP-901	F-11	7	61302-K15-920ZD	F-43	1	86150-KPG-902	F-7	10
46504-KV6-703	F-15	16	51420-K15-921	F-11	8	61303-K15-920ZA	F-43	2	86150-KTJ-C61	F-7	10
46514-KZ4-J00	F-29	11	51432-KFN-851	F-11	9	61303-K15-920ZC	F-43	2	871X0-K15-920ZAL	F-50	2
			51437-KW6-901	F-11	10	61303-K15-920ZD	F-43	2	871X0-K15-920ZAR	F-50	1
	(50000)		51440-K15-901	F-11	11	61304-415-000	F-41	21	871X0-K15-920ZBL	F-50	2
			51490-KRM-852	F-11	12	61304-K15-920	F-43	3	871X0-K15-920ZBR	F-50	1
50010-K15-920ZA	F-39	8	51500-K15-921	F-11	13	61305-K15-920	F-43	5	871X0-K15-920ZCL	F-50	2
50122-K15-920	F-39	9	51520-K15-921	F-11	14	61306-K15-920	F-43	6	871X0-K15-920ZCR	F-50	1
50123-K15-920	F-39	10	5210B-K45-920ZA	F-32	9	61313-K15-920	F-43	8	87503-KVB-930	F-49	1
50175-KYJ-901	F-33	1	52141-K15-900	F-32	6	61314-K15-920	F-7	9	87505-K45-N00	F-49	2
50186-K15-920	F-34	2	52144-GC4-003	F-32	7	61316-KCJ-661	F-43	9	87507-K15-900	F-49	3
50220-K15-920	F-39	11	52161-KYJ-900	F-39	16	6131B-K15-920	F-43	7	87509-KWW-A40	F-49	4
50234-K15-900	F-39	12	52170-K45-N00	F-32	8	64266-MG9-770	F-41	22	87560-KVB-930	F-49	5
50251-K15-920	F-39	13	52400-K15-921	F-33	2	64450-K15-920	F-22	7	88110-KCJ-660	F-3	2
50260-K15-920FMB	F-22	1	52463-KYJ-901	F-33	3	64535-MCJ-001	F-22	8	88113-KCJ-660	F-3	1
50260-K15-920RSW	F-22	1	52464-KYJ-904	F-33	4				88120-KCJ-660	F-3	3
50260-K15-920WRD	F-22	1	52465-K15-900	F-33	5				89010-K15-920	F-48	6
50265-K15-920FMB	F-22	6	5246A-K15-900	F-33	17	(70000)			89012-KZL-930	F-34	5
50265-K15-920RSW	F-22	6	52472-K15-900	F-33	6	75581-GN8-920	F-23	3	89216-KPP-900	F-48	2
50265-K15-920WRD	F-22	6	52475-K15-900	F-33	7	77200-K15-920ZA	F-23	4	89221-429-000	F-48	3
50270-K15-920ZA	F-22	2	53100-K15-920ZA	F-7	1	77205-K45-N00	F-23	5		(90000)	
50270-K15-920ZC	F-22	2	53105-KRC-900	F-7	2	77206-KPP-T01	F-23	6			
50270-K15-920ZD	F-22	2	53130-K15-920ZA	F-7	3		F-23	7			
50275-K15-920ZA	F-22	3	53132-K15-920ZA	F-7	4	77220-KY6-010	F-23	8	90001-K56-N00	E-6	11
50275-K15-920ZC	F-22	3	53133-K15-920ZA	F-7	5	77236-KAZ-780	F-48	1	90004-GHB-650	E-23	13
50275-K15-920ZD	F-22	3	53133-K18-900	F-7	6	77239-KVB-900	F-23	9	90004-GHB-661	E-2	9
50280-K15-920	F-22	4	53140-K15-900	F-4	10	77240-K15-920	F-23	10	90005-K56-N00	E-4	8
50285-K15-920	F-22	5	53166-KYJ-901	F-4	11	77582-K15-920	F-23	11	90008-KT7-001	E-8	11
50301-KTR-900	F-9	2	53170-KYE-900	F-4	12				90010-KM1-001	E-9	6
50315-K15-920ZA	F-23	1		F-4	13	(80000)			90017-K56-N00	E-2	10
50325-K15-920ZA	F-23	2	53175-KPN-E01	F-5	13				90017-KGH-900	E-1	3
50351-K15-920	F-39	14	53180-425-010	F-4	14	80102-K45-N00	F-37	5	90019-K56-N00	E-2	11
50352-K15-920	F-39	15	53192-349-690	F-4	15	8010A-K15-920	F-34	3	90022-MG8-000	E-19	15
50500-K15-920	F-31	1	5320A-K15-920	F-9	6	8010C-K15-920	F-34	4	90031-K56-N00	E-15	9
50505-K15-900	F-31	2	53211-268-010	F-9	3	83450-K15-920ZA	F-24	2	90071-MB0-001	E-13	9
50524-K15-901	F-27	18	53212-200-000	F-9	4	83450-K15-920ZC	F-24	2	90084-041-000	E-17	20
50526-K15-900	F-31	3	53214-200-000	F-9	5	83450-K15-920ZD	F-24	2	90084-K03-N30	E-10	5
50530-K15-920	F-31	4	53220-KSP-860	F-9	7	83502-KCC-900	F-21	17	90087-KGH-900	E-10	6
50600-K15-920	F-30	2	53230-K15-920ZA	F-7	7	83540-K15-920	F-24	3	90101-K15-900	F-43	11
50603-033-010	F-30	3	53232-K15-920	F-7	8	83545-KCJ-690	F-1	2	90101-KYJ-901	F-33	8
50610-K15-900	F-30	4					F-24	4	90102-K18-901	F-11	15
50611-K15-900	F-30	5	(60000)				F-25	20	90102-MN1-670	F-29	12
50612-K15-900	F-30	6				83551-300-000	F-21	18	90103-K15-920	F-39	18
50613-K15-900	F-30	7	61100-K15-920ZA	F-10	1		F-39	17	90104-K15-920	F-30	13
50614-K15-900	F-30	8	61100-K15-920ZC	F-10	1	83551-GE2-000	F-24	5		F-39	19



INDEKS NOMOR PART

Nomor Part	No. Blok	Ref	Nomor Part	No. Blok	Ref	Nomor Part	No. Blok	Ref	Nomor Part	No. Blok	Ref
90105-HP1-000	F-15	17	90315-KBA-921	F-15	15	90899-422-610	F-39	24	93891-04016-18	E-23	16
90105-KGH-901	F-14-40	9	90320-MM5-000	F-34	8	91001-KPP-901	E-16	15	93892-05020-07	F-4	18
	F-19-40	14	90321-MR8-001	F-4	17	91003-KPP-931	E-16	16	93893-04012-17	F-5	19
90106-K15-900	F-33	9	90401-K56-N00	E-17	21	91004-K56-N01	E-17	35		F-15	22
90106-MM4-000	F-22	9	90401-KPP-900	E-16	11	91005-K56-N01	E-17	36	93901-22021	F-41	26
90107-GN1-010	F-31	5	90401-KTY-D30	E-17	22	91006-K56-N01	E-17	37	93903-22520	F-2	7
90107-K15-920	F-10	7	90401-KVK-900	E-17	23	91006-K56-N02	E-17	37	93903-24320	F-24	13
90108-K15-900	F-30	14	90401-KY4-902	E-8	13	91007-KE1-003	E-8	16		F-34	9
90110-MGP-D60	F-21	20	90402-K56-N00	E-17	24	91008-K56-N01	E-16	17	93903-24380	F-22	12
90111-162-000	F-43	12	90402-KRM-840	E-16	12	91009-K31-901	E-19	18		F-34	10
90111-187-000	F-32	10	90402-KVK-900	E-17	25	91010-K56-N01	E-17	38	93903-25220	F-1	4
	F-34	6	90402-KW7-901	E-19	16	91015-K56-N01	E-19	18		F-36	2
90111-K15-920	F-39	20	90403-KPP-900	E-15	10	91051-K45-N05	F-19-40	19		F-43	19
90111-MR5-000	F-39	21	90407-259-000	E-15	11	91052-K45-N03	F-19-40	20	93903-25281	F-24	14
90113-438-000	F-4	16	90412-187-001	E-17	26	91053-K03-H02	F-14-40	11	93903-25480	F-25	21
90113-K15-920	F-27	19	90412-K56-N00	E-17	27	91053-K03-N41	F-14-40	11	93913-25381	F-2	8
90113-KYJ-710	F-27	20	90418-KYJ-900	E-2	13	91071-KSP-901	F-32	14	94001-03000-0S	F-41	27
90114-KGH-900	F-5	14	90423-KW6-900	E-12	7	91071-MY1-006	F-33	14	94001-06000-0S	F-32	15
90114-KPH-700	F-43	14	90434-K56-N00	E-8	14	91202-KSP-911	E-6	13	94002-08000-0S	F-4	21
90116-KAG-901	F-11	16	90435-HB3-000	E-19	17	91204-MC7-003	E-6	14	94002-10000-0S	F-3	4
90116-KVB-900	F-41	23	90439-KWZ-900	E-11	3	91205-KF0-005	E-6	15	94030-08000	F-4	22
90116-SPO-004	F-22	10	90441-KW7-931	E-17	28		E-12	10	94050-06000	F-4	19
	F-24	10	90451-K56-N00	E-17	29	91209-KWC-901	E-19	19		F-5	20
90120-GHB-601	F-41	24	90451-KGH-901	E-20	9	91212-422-007	F-15	21		F-21	21
90121-KSP-900	F-32	11	90452-KGH-901	E-17	30	91216-KGH-902	E-17	39		F-37	6
90128-K45-N00	F-19-40	15	90452-KRM-840	E-17	31	91252-KGH-902	F-14-40	12	94050-08000	F-27	22
90131-K15-920	F-39	22	90454-KPH-900	E-17	32	91254-GAA-003	F-11	19	94050-10001	F-39	25
90131-KPH-881	F-12-10	15	90462-KWV-740	E-8	15	91257-230-004	F-19-40	21	94050-12001	E-11	4
90132-K15-920	F-22	11	90463-ML7-000	E-12	8		F-19-40	22	94101-06000	F-30	17
90132-KPP-T01	F-24	11	90483-K15-900	E-2	14	91257-230-005	F-19-40	21	94101-10000	F-33	16
90134-KPP-T01	F-43	16	90485-286-000	F-10	8		F-19-40	22	94102-08000	F-30	18
90140-KZZ-901	F-15	18	90505-KRM-860	F-29	13	91262-KV3-832	F-33	15	94103-0570	F-2	9
90145-GAZ-981	F-5	15	90521-028-000	F-31	7	91301-GGL-J02	E-23	14	94103-06700	F-21	22
	F-15	19	90535-K15-920	F-7	14	91301-K56-N00	E-2	16	94103-08000	F-27	23
90152-KYJ-901	F-33	10	90543-MV9-671	E-1	4	91301-KV7-671	E-2	17	94201-16150	F-30	19
90153-KYJ-901	F-33	11	90544-KFN-851	F-11	17	91306-MG3-001	E-4	9	94201-20150	F-15	23
90160-K15-920	F-7	11	90545-300-000	F-5	16	91307-035-001	E-6	16		F-30	20
90164-KZL-A00	F-39	23		F-15	20	91307-PLC-004	E-2	18	94201-25220	F-29	15
90202-KGB-611	E-2	12	90559-K45-N00	F-19-40	18	91309-425-004	E-13	10	94201-30300	F-31	8
90202-KRM-840	E-8	12	90601-KAF-003	F-29	14	91320-MB0-000	E-13	11	94301-08141	E-2	15
90301-KGH-901	F-34	7	90601-KFN-851	F-11	18	91322-K56-N00	E-6	17	94301-10120	E-2	20
90302-KBP-900	F-32	12	90601-KRM-840	E-17	33	91323-K56-N00	E-10	8		E-5	3
90302-KWW-A00	F-24	12	90605-KVS-900	E-17	34	91352-KSP-900	F-19-40	23	94305-20103	F-15	24
90304-K15-920	F-7	12	90608-072-001	E-12	9	91356-KWV-000	E-10	9	94510-28000	E-16	18
90304-KGH-901	F-19-40	16	90651-MA5-672	F-5	17	91456-K15-920	F-7	15	94520-12000	E-15	15
	F-31	6	90673-SK7-A01	E-15	12	91536-STK-003	F-38	17	94520-22000	E-6	18
	F-33	12	90677-KAN-T00	F-2	6	92101-06020-4J	F-38	18	94540-06018	E-14	6
90304-KPG-902	F-7	13		F-43	18	92501-06016-0A	F-30	16	94591-45000	F-34	11
90304-KPH-701	F-27	21	90701-HC4-000	E-15	13	92800-12000	E-15	14	94608-50000	F-11	20
90305-GK8-000	F-1	3	90702-HC4-001	E-6	12	92900-08025-0E	E-2	19	95002-02080	F-21	23
90305-KCJ-951	F-19-40	17	90702-KFM-901	E-10	7	93301-05012-0J	E-14	5	95002-02100	F-41	28
	F-32	13		E-14	4	93411-05025-00	F-35	8	95002-41050-09	F-41	29
90306-KGH-902	F-14-40	10	90702-KRM-840	E-2	15	93600-04012-1G	F-5	18	95002-41200-08	F-25	22
	F-33	13	90741-KFB-001	E-16	13	93891-04006-07	F-41	25	95002-50000	F-41	30
90311-K15-900	F-30	15	90741-KGH-900	E-16	14	93891-04010-18	E-23	15	95002-80000	F-25	23

INDEKS NOMOR PART

Nomor Part	No. Blok	Ref	Nomor Part	No. Blok	Ref	Nomor Part	No. Blok	Ref	Nomor Part	No. Blok	Ref
95005-50480-30	F-41	31	96001-06025-00	F-41	35						
95005-55650-20	F-41	32	96001-06030-00	E-6	19						
95014-72102	F-31	9		E-10	10						
95015-54002	F-15	25	96001-06032-07	F-10	9						
95015-81000	F-30	21	96001-06035-00	E-10	11						
95701-06010-00	F-38	19	96001-06040-00	E-6	20						
95701-06010-02	F-27	24		E-10	12						
95701-06012-08	F-21	24		E-15	21						
	F-23	12	96001-06065-00	E-12	12						
	F-37	7		E-15	22						
95701-06014-0	E-4	10	96211-08000	F-29	17						
	E-17	40		F-30	22						
	F-37	8	96220-30086	E-19	21						
95701-06016-00	E-19	20	96220-40238	E-12	13						
	E-20	10		E-14	8						
	F-38	20	96600-06025-00	E-11	6						
	F-41	33	96600-08032-08	F-7	17						
95701-06018-07	F-38	21	98200-40500	F-38	23						
95701-06020-07	F-25	24		F-38	26						
95701-06022-01	E-2	21	98200-41001	F-38	24						
	E-23	17	98200-42000	F-38	25						
	F-41	34	99001-10140	F-48	4						
95701-06022-07	F-21	25	99008-01600	F-48	5						
	F-43	20									
95701-06028-01	E-13	12									
95701-06035-00	E-14	7									
	E-15	16									
95701-06065-00	E-15	17									
95701-06115-00	E-2	22									
95701-08016-07	F-34	12									
95701-08022-00	F-23	13									
95701-08035-02	F-27	25									
95701-08035-07	F-9	8									
	F-29	16									
95701-08045-00	F-27	26									
95701-08050-00	F-27	27									
95701-10120-00	F-39	26									
95701-10130-00	F-39	27									
96001-06010-02	F-27	28									
96001-06010-07	F-15	26									
96001-06012-07	F-5	21									
96001-06014-00	E-4	11									
	E-15	18									
	F-15	27									
	F-38	22									
96001-06014-07	F-7	16									
96001-06016-00	E-11	5									
	E-15	19									
96001-06016-07	F-39	28									
96001-06018-00	E-15	20									
96001-06020-00	F-24	15									
96001-06022-00	E-4	12									
	E-12	11									
96001-06022-07	F-4	20									
	F-5	22									

INDEKS NAMA PART

Nama Part	No. Blok	Ref	Nama Part	No. Blok	Ref	Nama Part	No. Blok	Ref
(A)			BOLT, CLUTCH WIRE ADJUSTING	F-4	15	BOLT, FLANGE, 6X22	F-15	17
ADJUSTER COMP., CHAIN ASSY.	F-32	4	BOLT, CYLINDER STUD	E-15	9		F-21	25
ARM ASSY., KICK STARTER	F-29	5	BOLT, DRAIN PLUG, 12MM	E-15	14		F-41	34
ARM COMP., EX. VALVE ROCKER	E-3	5	BOLT, DRIVE SPROCKET FIXING	E-17	20		F-43	20
	E-3	4	BOLT, FLANGE, 10X106	F-33	8	BOLT, FLANGE, 6X25	E-8	11
ARM SET, CUSHION	F-33	17	BOLT, FLANGE, 10X120	F-39	26		F-41	35
ARM SUB ASSY., CUSHION	F-33	5	BOLT, FLANGE, 10X130	F-33	9	BOLT, FLANGE, 6X28	E-13	12
AXLE, FR. WHEEL	F-14-40	3		F-39	27	BOLT, FLANGE, 6X30	E-6	19
AXLE, RR. WHEEL	F-19-40	3	BOLT, FLANGE, 10X239	F-39	20		E-10	10
			BOLT, FLANGE, 10X53	F-33	11	BOLT, FLANGE, 6X32	E-2	10
			BOLT, FLANGE, 10X55	F-33	10		F-10	9
			BOLT, FLANGE, 6MM	F-32	10	BOLT, FLANGE, 6X35	E-10	11
				F-34	6		E-14	7
				F-41	23		E-15	16
				F-43	12	BOLT, FLANGE, 6X40	E-6	20
			BOLT, FLANGE, 6X10	F-15	26		E-10	12
				F-27	24		E-15	21
				F-27	28		E-2	11
				F-38	19	BOLT, FLANGE, 6X6	E-4	8
BAG, TOOL, 160MM	F-48	5		E-2	22	BOLT, FLANGE, 6X65	E-12	12
BALL ASSY., STEEL, #8X18	F-9	1	BOLT, FLANGE, 6X115	F-5	21		E-15	17
BALL, STEEL, #8(1/4)	F-29	17	BOLT, FLANGE, 6X12	F-21	24		E-15	22
	F-30	22		F-23	12	BOLT, FLANGE, 8X16	F-34	12
BAND B1, WIRE	F-4	4		F-37	7	BOLT, FLANGE, 8X22	F-23	13
BAND COMP., BATTERY	F-37	5		F-37	7	BOLT, FLANGE, 8X35	F-9	8
BAND, AIR CLEANER CONNECTING TUBE	F-25	15	BOLT, FLANGE, 6X14	E-4	10		F-27	25
BAND, HARNESS(BLACK)	E-15	12		E-4	11		F-29	16
BAND, R. EX. PIPE	F-27	10		E-6	11	BOLT, FLANGE, 8X45	F-27	26
BAND, TOOL	F-34	5		E-15	18	BOLT, FLANGE, 8X50	F-27	27
BAR COMP., SIDE STAND	F-31	4		F-7	16	BOLT, HANDLE LEVER PIVOT	F-5	14
BAR, L. MAIN STEP	F-30	6		F-15	27	BOLT, HEAD COVER	E-1	3
BAR, L. PILLION STEP	F-30	12		F-37	8	BOLT, HEX., 5X12	E-14	5
BAR, R. MAIN STEP	F-30	5		F-38	22	BOLT, HEX., 6X20	F-38	18
BAR, R. PILLION STEP	F-30	11	BOLT, FLANGE, 6X16	E-11	5	BOLT, L. STEERING HANDLE LEVER PIVOT	F-4	16
BATTERY(GTZ6V)(YU)	F-37	1		E-15	19	BOLT, OIL, 10X22	F-5	15
BATTERY(YTZ6V)(YU)	F-37	1		E-19	20		F-15	19
BEARING, NEEDLE, 17X24X17	F-33	14		E-20	10	BOLT, PIN	F-12-10	8
BEARING, NEEDLE, 20X26X20	F-32	14		F-38	20	BOLT, SEALING, 12MM	E-2	3
BEARING, R. RADIAL BALL SPECIAL	E-16	15		F-39	28	BOLT, SETTING	E-13	4
BEARING, RADIAL BALL(6301U L)	F-14-40	11		F-41	33	BOLT, SOCKET, 4X24(SUS)	F-21	20
	F-14-40	11		E-15	20	BOLT, SOCKET, 5X9	F-39	21
BEARING, RADIAL BALL, 6004UU	F-19-40	20	BOLT, FLANGE, 6X18	F-38	21	BOLT, SOCKET, 6X25	E-11	6
BEARING, RADIAL BALL, 6201	E-16	16		E-23	13	BOLT, SOCKET, 8MM	F-11	16
BEARING, RADIAL BALL, 6201U	E-17	36	BOLT, FLANGE, 6X20	F-24	15	BOLT, SOCKET, 8X18	E-9	6
BEARING, RADIAL BALL, 6202U	E-17	35		F-25	24	BOLT, SOCKET, 8X20	F-30	13
BEARING, RADIAL BALL, 6203	E-17	37		F-29	12		F-39	19
	E-17	37		E-2	9	BOLT, SOCKET, 8X32	F-7	11
BEARING, RADIAL BALL, 6204	E-17	38		E-2	21		F-7	17
BEARING, RADIAL BALL, 6301	E-16	17		E-4	12	BOLT, SPECIAL, 5X14	F-30	14
BEARING, RADIAL BALL, 6302U	F-19-40	19	BOLT, FLANGE, 6X22	E-12	11	BOLT, SPECIAL, 6MM	F-43	11
BEARING, RADIAL BALL, 6903	E-8	16		E-23	17	BOLT, SPECIAL, 6X40	F-10	7
BEARING, RADIAL BALL, 6905	E-19	18		F-4	20	BOLT, SPECIAL, 8X22	F-39	18
	E-19	18		F-29	12		F-19-40	15
BODY SET	E-23	8		E-2	21			
BODY SET, FRAME	F-39	8		E-4	12	BOLT, SPECIAL, 8X20	F-7	17
BOLT A, FR. FORK	F-11	15		E-4	12	BOLT, SPECIAL, 5X14	F-30	14
BOLT, BRAKE DISK, 8X24	F-14-40	9		E-12	11	BOLT, SPECIAL, 6MM	F-43	11
	F-19-40	14		E-23	17	BOLT, SPECIAL, 6X40	F-10	7
	F-30	16		F-4	20	BOLT, SPECIAL, 8X22	F-39	18
BOLT, CAP, 6X16	F-30	16		F-5	22	BOLT, STUD, 10X22	F-19-40	15

INDEKS NAMA PART

Nama Part	No. Blok	Ref	Nama Part	No. Blok	Ref	Nama Part	No. Blok	Ref
BOLT, STUD, 8X25	E-2	19	CASE ASSY., UNDER	F-2	5	COLLAR, MUFFLER MOUNTING	F-27	12
BOLT, SWINGARM PIVOT	F-32	11	CASE ASSY., UPPER	F-2	4	COLLAR, R. ENGINE MOUNTING	F-39	9
BOLT, TORX, 8X16	F-39	22	CASE COMP., L. BOTTOM	F-11	14	COLLAR, R. RR. WHEEL SIDE	F-19-40	6
BOLT, TORX, 8X25	F-12-10	15	CASE COMP., R. BOTTOM	F-11	8	COLLAR, RADIATOR MOUNTING	F-41	20
BOLT-WASHER, 5X25	F-35	8	CASE COMP., THERMOSTAT	F-41	16	COLLAR, RR. AXLE DISTANCE	F-19-40	8
BOLT-WASHER, 6X12	F-41	24	CASE SUB ASSY., AIR CLEANER	F-25	7	COLLAR, SETTING	F-21	16
BOOT B	F-12-10	10	CASE, DRIVE CHAIN	F-32	1	COLLAR, SPLINE, 17X20X11	E-17	13
	F-17	13	CENTER, CLUTCH	E-8	3	COLLAR, SPRING	F-11	3
BOOT COMP.	F-5	5	CHAIN, CAM(120L)	E-4	1	COLLAR, STARTER REDUCTION	E-9	5
	F-15	4	CHAIN, DRIVE(428H-126RB)	F-32	2	COLLAR, WATER PASS, 13X8	E-6	1
BOOT, HANDLE LEVER	F-4	14	CIRCLIP	F-5	17	COLLAR, WINKER	F-35	2
BOOT, PIN BUSH	F-12-10	9		F-15	14	CONNECTOR, MASTER CYLINDER	F-15	3
	F-17	12	CIRCLIP, 17MM	E-17	33	CONTACT ASSY., NEUTRAL SWITCH	E-15	7
BRACKET SUB ASSY., R. FR.	F-12-10	14	CIRCLIP, EXTERNAL, 28MM	E-16	18	COTTER, VALVE	E-3	13
BRACKET SUB ASSY., RR.	F-17	7	CIRCLIP, INTERNAL, 12MM	E-15	15	COUNTERSHAFT	E-17	2
BRACKET, L. ENGINE HANGER	F-39	15	CIRCLIP, INTERNAL, 22MM	E-6	18	COVER ASSY., HEADLIGHT RR.	F-43	7
BRACKET, R. ENGINE HANGER	F-39	14	CLAMP, MASTER CYLINDER OIL HOSE	F-15	9	COVER COMP., L. RR.	E-10	2
BRACKET, RR. FENDER	F-34	2	CLAMP, TUBE(D10.5)	F-41	29	COVER COMP., R. CRANKCASE	E-6	2
BRIDGE, FORK TOP	F-7	7	CLAMP, TUBE(D12)	F-25	22	COVER COMP., WATER PUMP	E-12	3
BUSH, 15MM	E-17	3	CLAMP, TUBE(D19)	F-25	19	COVER SUB ASSY., AIR CLEANER	F-25	11
BUSH, 20MM	E-17	7	CLAMP, WATER HOSE	F-41	19	COVER, CLUTCH SWITCH	F-4	6
	E-17	15	CLAMPER A, FR. BRAKE HOSE	F-5	3	COVER, CYLINDER HEAD	E-1	1
BUSH, SPLINE, 20MM	E-17	10	CLAMPER B, FR. BRAKE HOSE	F-5	4	COVER, FUEL TANK	F-22	7
			CLAMPER, RR. BRAKE HOSE	F-15	1	COVER, L. CRANKCASE	E-10	1
(C)			CLAMPER, TUBE	E-15	3	COVER, METER	F-43	3
CABLE COMP. A, THROTTLE	F-4	1	CLIP B, BREATHER TUBE	F-25	1	COVER, MUFLER	F-27	9
CABLE COMP. B, THROTTLE	F-4	2	CLIP, BUMPER SEAL	F-22	10	COVER, O2 SENSOR	F-27	6
CABLE COMP., CLUTCH	F-4	3		F-24	10	COVER, STARTER MOTOR TERMINAL	E-13	8
CABLE, EARTH	F-37	2	CLIP, KICK STARTER ARM	F-29	4	COVER, THERMOSTAT	F-41	17
CABLE, SEAT LOCK	F-23	10	CLIP, PISTON PIN, 14MM	E-16	5	COWL, L. FR.	F-43	6
CABLE, STARTER MOTOR	E-13	7	CLIP, RELAY HOLDER(NATURAL)	F-38	17	COWL, L. FR. SIDE	F-43	2
CALIPER SUB ASSY., R. FR.	F-12-10	13	CLIP, SWITCH COVER	F-29	14	COWL, L. RR.(WL)	F-24	9
CALIPER SUB ASSY., RR.	F-17	6	CLIP, TUBE(B10)	F-41	28	COWL, L. SIDE	F-24	7
CAMSHAFT COMP., EX.	E-3	3	CLIP, TUBE(B8)	F-21	23	COWL, R. FR.	F-43	5
CAMSHAFT COMP., IN.	E-3	2	CLIP, TUBE(C12)	F-25	23	COWL, R. FR. SIDE	F-43	1
CAP ASSY., NOISE SUPPRESSOR	F-38	3	CLIP, TUBE(C9)	F-41	30	COWL, R. RR.(WL)	F-24	6
CAP ASSY., RESERVE TANK	F-41	10	CLIP, WIRE, 4X50	F-34	11	COWL, R. SIDE	F-24	3
CAP COMP., RADIATOR	F-41	6	COIL COMP., IGNITION	F-38	1	COWL, RR. CENTER	F-24	2
CAP, 14MM	E-10	5	COLLAR A, FR. FENDER	F-10	4	CRANKCASE COMP., R.	E-15	1
CAP, 30MM	E-10	6	COLLAR B, CUSHION ARM	F-33	3	CRANKCASE SET, L.	E-15	2
CAP, BLEEDER	F-12-10	4	COLLAR C, CUSHION ARM	F-33	4	CRANKSHAFT COMP.	E-16	1
	F-17	10	COLLAR, 6MM	F-30	15	CUP COMP., OIL	F-15	6
CAP, CHANGE SWITCH CONTACT	E-19	13	COLLAR, AIR CLEANER MOUNTING	F-24	1	CUSHION ASSY., RR.	F-33	2
CAP, DUMMY(4P)(RED)	F-38	7		F-25	9	CUSHION, FUEL TANK	F-21	11
CAP, LOCK NUT	F-3	1	COLLAR, CENTER PIVOT DISTANCE	F-32	6	CYLINDER COMP.	E-5	1
CAP, MASTER CYLINDER	F-5	8	COLLAR, CUSHION CONNECTING ROD	F-33	6	CYLINDER SET, MASTER	F-5	12
	F-15	8	COLLAR, FR. AXLE DISTANCE	F-14-40	5	CYLINDER SUB ASSY., FR. BRAKE MASTER	F-5	6
CAP, RR. FORK PIVOT	F-39	16	COLLAR, FR. FENDER MOUNTING	F-10	5	CYLINDER SUB ASSY., RR. BRAKE MASTER	F-15	5
CAP, SOCKET BOLT, 8MM	F-7	15	COLLAR, FR. WHEEL SIDE	F-14-40	4			
CAP, STEERING NUT	F-7	8	COLLAR, HORN SETTING	F-38	11	(D)		
CAP, SWINGARM END	F-32	5	COLLAR, KICK SPRING	E-20	8	DAMPER, WHEEL	F-19-40	1
CAP, TAIL	F-27	3	COLLAR, L. ENGINE MOUNTING	F-39	10			
			COLLAR, L. RR. WHEEL SIDE	F-19-40	5			

INDEKS NAMA PART

Nama Part	No. Blok	Ref	Nama Part	No. Blok	Ref	Nama Part	No. Blok	Ref
DIAPHRAGM	F-5	10	GASKET, CYLINDER	E-5	2	HOLDER COMP., RR. CUSHION UPPER	F-33	1
	F-15	12	GASKET, CYLINDER HEAD(STD./0.25/0.50)	E-2	4	HOLDER, BRUSH	E-13	5
DIODE ASSY., THREE WAY	F-38	5		E-2	4	HOLDER, L. HANDLE UNDER	F-7	5
DISK, CLUTCH FRICTION	E-8	4	GASKET, EX. PIPE	F-27	1	HOLDER, L. MAIN STEP	F-30	9
DISK, FR. BRAKE	F-14-40	8	GASKET, FUEL PUMP	F-21	9	HOLDER, MASTER CYLINDER	F-4	9
DISK, RR. BRAKE	F-19-40	13	GASKET, L. CRANKCASE COVER	E-10	3		F-5	9
DOWEL PIN, 10X12	E-2	20	GASKET, R. CRANKCASE COVER	E-6	6	HOLDER, R. HANDLE UNDER	F-7	4
	E-5	3	GASKET, TENSIONER LIFTER	E-4	6	HOLDER, R. MAIN STEP	F-30	2
DOWEL PIN, 8X12	E-10	7	GASKET, WATER PUMP	E-12	4	HOOK, SEAT CATCH	F-23	8
	E-14	4	GAUGE ASSY., OIL LEVEL	E-6	7	HORN COMP.(HIGH)	F-38	10
	E-15	13	GEAR A, BALANCER DRIVEN(43T)(WHITE)	E-16	7	HOSE COMP., FR. BRAKE	F-5	2
DOWEL PIN, 8X14	E-2	15	GEAR A, PRIMARY DRIVE(23T)(WHITE)	E-8	10	HOSE COMP., FUEL FEED	F-21	14
DOWEL PIN, 8X16	E-6	12	GEAR B, BALANCER DRIVEN(43T)(BLUE)	E-16	7	HOSE COMP., RR. BRAKE	F-15	2
DRUM, GEARSHIFT	E-19	5	GEAR B, PRIMARY DRIVE(23T)(BLUE)	E-8	10	HOSE, RADIATOR LOWER	F-41	9
DUCT, INLET	F-25	12	GEAR C, BALANCER DRIVEN(43T)(YELLOW)	E-16	7	HOSE, RADIATOR UPPER	F-41	8
DUST SEAL	F-11	19	GEAR C, PRIMARY DRIVE(23T)(YELLOW)	E-8	10	HOSE, RR. MASTER CYLINDER	F-15	7
DUST SEAL, 17X24X5	F-33	15	GEAR COMP., STARTER DRIVEN (53T)	E-9	1	HOSE, THERMOSTAT	F-41	7
DUST SEAL, 23X37X7(NOK)	F-14-40	12	GEAR, COUNTERSHAFT FIFTH(25T)	E-17	14			
DUST SEAL, 31X40.5X7.1	F-32	7	GEAR, COUNTERSHAFT FIRST(37T)	E-17	4			
DUST SEAL, STEERING HEAD	F-9	5	GEAR, COUNTERSHAFT FOURTH(27T)	E-17	11			
			GEAR, COUNTERSHAFT SECOND(33T)	E-17	6	IMPELLER, WATER PUMP	E-12	1
(E)			GEAR, COUNTERSHAFT SIXTH(24T)	E-17	17	INJECTOR ASSY., FUEL	E-23	10
ELEMENT COMP., AIR CLEANER	F-25	2	GEAR, COUNTERSHAFT THIRD(30T)	E-17	9			
EMBLEM, PRODUCT(MR)	F-7	10	GEAR, MAINSHAFT FIFTH(24T)	E-17	12			
END, STEERING HANDLE	F-7	2	GEAR, MAINSHAFT SECOND(17T)	E-17	5			
E-RING, 6MM	E-14	6	GEAR, MAINSHAFT SIXTH(26T)	E-17	16			
			GEAR, MAINSHAFT THIRD & FOURTH(20T/22T)	E-17	8	JOINT ASSY., WATER	E-2	6
(F)			GEAR, OIL PUMP DRIVEN(25T)	E-14	3	JOINT COMP., INJECTOR	E-23	12
FAN COMP., COOLING	F-41	4	GEAR, STARTER REDUCTION(13T/53T)	E-9	3	JOINT, BRAKE ROD	F-15	16
FENDER B ASSY., RR.	F-34	4	GEAR, WATER PUMP DRIVEN(25T)	E-12	6			
FENDER, FR.	F-10	1	GRIP COMP., THROTTLE	F-4	10			
FENDER, RR.(WL)	F-34	3	GRIP, L. HANDLE	F-4	11	KEY SET	F-39	1
FILM, PROTECTOR	F-39	13	GRIP, L. RR.	F-23	2	KEY, SEAT LOCK	F-23	9
FILM, RR. COWL PROTECTOR	F-24	8	GRIP, R. RR.	F-23	1	KEY, WOODRUFF, 4MM	E-16	13
FILTER SET	F-21	2	GROMMET, AIR CLEANER CASE	F-21	18		E-16	14
FLANGE, DRIVEN	F-19-40	7		F-24	5			
FLYWHEEL COMP.	E-11	1		F-39	17			
FORK ASSY., L. FR.	F-11	13	GROMMET, SIDE COVER	F-21	17			
FORK ASSY., R. FR.	F-11	1	GROMMET, SPEAKER PANEL	F-41	22			
FORK, CENTER GEARSHIFT	E-19	2	GUARD, CHANGE SWITCH CORD	E-10	4	LABEL, AIR CLEANER ELEMENT NOTICE	F-49	4
FORK, L. GEARSHIFT	E-19	3	GUARD, NUMBER PLATE	F-43	9	LABEL, COOLANT INFORMATION	F-49	1
FORK, R. GEARSHIFT	E-19	1	GUIDE A, CAM CHAIN	E-4	7	LABEL, DRIVE CAUTION	F-49	5
FUEL UNIT	F-21	15	GUIDE B, CAM CHAIN	E-4	5	LABEL, DRIVE CHAIN	F-49	3
FUSE, MINI(10A)	F-38	24	GUIDE, CLUTCH OUTER	E-8	2	LABEL, RADIATOR CAP	F-41	36
FUSE, MINI(20A)	F-38	25	GUIDE, EX. VALVE(O.S.)	E-2	2	LABEL, TIRE	F-49	2
FUSE, MINI(5A)	F-38	23				LEVER ASSY., HANDLE	F-4	12
	F-38	26				LEVER COMP., CLUTCH	E-6	8
(G)			(H)			LEVER COMP., L. HANDLE	F-4	13
GASKET COMP., CYLINDER HEAD COVER	E-1	2	HARNESS, WIRE	F-38	6	LEVER, R. STEERING HANDLE	F-5	13
			HEAD ASSY., CYLINDER	E-2	1	LID SUB ASSY., AIR CLEANER	F-25	13
			HEADLIGHT ASSY. SET	F-1	1	LIFTER ASSY., TENSIONER	E-4	4
			HOLDER COMP., ELEMENT	F-25	6	LIGHT ASSY., TAIL & STOP	F-36	1
			HOLDER COMP., HANDLE UPPER	F-7	3			

INDEKS NAMA PART

Nama Part	No. Blok	Ref	Nama Part	No. Blok	Ref	Nama Part	No. Blok	Ref
(M)			OIL SEAL, 12X18X4	E-6	13	PIPE ASSY., IN.	E-2	5
MAINSHAFT(12T)	E-17	1	OIL SEAL, 12X20X5	E-6	15	PIPE COMP., EX.	F-27	5
METER ASSY., COMBINATION(KPH)	F-2	1		E-12	10	PIPE COMP., FR. FORK	F-11	5
METER COMP., LCD	F-2	2	OIL SEAL, 12X22X7	E-19	19	PIPE, SEAT	F-11	11
MIRROR ASSY., L.	F-3	3	OIL SEAL, 16X28X7	E-6	14	PIPE, STEERING HANDLE	F-7	1
MIRROR ASSY., R.	F-3	2	OIL SEAL, 20X34X7	E-17	39	PISTON	F-12-10	5
MOTOR ASSY., STARTER	E-13	1	OIL SEAL, 28X42X7	F-19-40	21		F-17	3
MOTOR COMP., FAN	F-41	5		F-19-40	22	PISTON SET, MASTER CYLINDER	F-15	10
MUFFLER COMP.	F-27	4	O-RING	E-23	3	PISTON(O.S. 0.25)	E-16	3
MUFFLER COMP., EX	F-27	29	O-RING, 1.5X9.5	E-4	9	PISTON(O.S. 0.50)	E-16	3
			O-RING, 12.8X1.8	E-6	17	PISTON(STD.)	E-16	3
(N)			O-RING, 13.8X2.4	E-10	8	PIVOT, SHIFT DRUM STOPPER ARM	E-19	15
NUT, CLIP, 5MM	F-2	6	O-RING, 14.8X1.9	E-2	17	PLATE A2, FIXING	E-17	19
	F-43	18	O-RING, 14.8X2.4	F-15	21	PLATE COMP., SHIFT DRUM STOPPER	E-19	6
NUT, CLIP, 6MM	F-1	3	O-RING, 18X3	E-6	16	PLATE, BEARING HOLDER	E-17	28
NUT, FIXING	F-4	17	O-RING, 23X2.8	F-11	20	PLATE, CLUTCH	E-8	5
NUT, FLANGE, 10MM	F-39	25	O-RING, 24.4X3.1	E-13	10	PLATE, CLUTCH LIFTER	E-8	7
NUT, FLANGE, 12MM	E-11	4	O-RING, 30MM	E-10	9	PLATE, CLUTCH PRESSURE	E-8	6
NUT, FLANGE, 6MM	F-4	19	O-RING, 4X2	E-13	11	PLATE, DIAPHRAGM	F-5	11
	F-5	20	O-RING, 51X2	F-19-40	23	PLATE, DIAPHRAGM	F-15	13
	F-21	21	O-RING, 6.3X2.2	E-23	14	PLATE, KICK STOPPER	E-20	2
	F-37	6	O-RING, 9.5X1.9	E-2	18	PLATE, MAIN STEP CLICK	F-30	8
NUT, FLANGE, 8MM	E-2	12	O-RING, IN. PIPE	E-2	16	PLATE, PILLION STEP CLICK	F-30	10
	F-27	22	O-RING, THROTTLE BODY	E-23	2	PLATE, R. COVER	E-6	3
NUT, HEX. CAP, 8MM	F-27	21	OUTER COMP., CLUTCH(75T)	E-8	1	PLATE, SETTING	F-21	6
NUT, HEX., 10MM	F-3	4	OUTER COMP., STARTING CLUTCH	E-9	2	PLATE, SPRING JOINT	F-11	4
NUT, HEX., 3MM	F-41	27				PLATE, STEP SETTING	F-30	7
NUT, HEX., 6MM	F-32	15	(P)			PLATE, TENSIONER SETTING	E-4	3
NUT, HEX., 8MM	F-4	21	PACKING, DRAIN COCK, 12.5X20	E-15	11	PLUG, BEARING PUSH	E-15	4
	F-4	22	PACKING, MUFFLER	F-27	11	PLUG, BREATHER TUBE	F-25	16
NUT, SETTING(6MM)	F-41	2	PAD SET, FR.	F-12-10	2	PLUG, CONE TYPE	F-39	24
NUT, SPECIAL FLANGE, 14MM	E-8	12	PAD SET, RR.	F-17	1	PLUG, PIN	F-17	14
NUT, SPECIAL, 6MM	F-32	12	PANEL, L. SHROUD	F-22	3	PLUG, SPARK(MR9C-9N)(NG)	E-2	7
NUT, SPECIAL, 8MM	F-15	15	PANEL, R. SHROUD	F-22	2	PLUG, SPARK(U27EPR-N9)(DS)	E-2	7
NUT, SPRING, 4MM	F-24	12	PEDAL COMP., BRAKE	F-29	10	PROTECTOR	F-5	7
NUT, SPRING, 6MM	F-34	8	PEDAL, GEAR CHANGE	F-29	2	PUMP ASSY., FUEL	F-21	1
NUT, STEERING STEM	F-7	12	PGM-FI UNIT	F-38	15			
NUT, U, 10MM	F-19-40	16	PIECE, OIL LOCK	F-11	9	(R)		
	F-31	6	PIN A, PILLION STEP	F-30	21	RACE, STEERING BOTTOM CONE	F-9	4
	F-33	12	PIN D, JOINT	F-15	25	RACE, STEERING TOP BALL	F-9	2
NUT, U, 12MM	F-14-40	10	PIN, HANGER	F-12-10	11	RACE, STEERING TOP CONE	F-9	3
	F-33	13		F-17	8	RADIATOR COMP.	F-41	1
NUT, U, 14MM	F-19-40	17	PIN, PISTON	E-16	4	RADIATOR SET ASSY.	F-41	37
	F-32	13	PIN, SHIFT RETURN SPRING	E-19	12	RATCHET, STARTER DRIVE	E-20	3
NUT, U, 6MM	F-34	7	PIN, SPLIT, 1.6X15	F-30	19	RECEIVER, CLUTCH CABLE	E-6	10
NUT, U, 8MM	F-7	13	PIN, SPLIT, 2.0X15	F-15	23	RECTIFIER COMP., REGULATE	F-38	4
NUT-WASHER, 6MM	E-13	9		F-30	20	REFLECTOR, RR. REFLEX	F-34	1
			PIN, SPLIT, 2.5X22	F-29	15	RELAY ASSY., POWER (MICRO ISO 4P)	F-38	14
(O)			PIN, SPLIT, 3.0X30	F-31	8	RELAY COMP., POWER (MICRO ISO 4P)	F-38	14
OIL PUMP ASSY.	E-14	2	PIN, SPRING, 2X10	F-15	24	RELAY COMP., WINKER(LED)	F-38	13
			PIN, STEP BAR JOINT	F-30	3	RESONATOR	F-25	18
			PINION, KICK STARTER(22T)	E-20	1	RETAINER	F-17	5

INDEKS NAMA PART

Nama Part	No. Blok	Ref	Nama Part	No. Blok	Ref	Nama Part	No. Blok	Ref
RETAINER, VALVE SPRING	E-3	11				SET RING, 20MM	E-17	34
RING	E-13	6	(S)			SHAFT, GEARSHIFT FORK	E-19	4
RING SET, PISTON(O.S. 0.25)	E-16	2	SCREEN, OIL FILTER	E-15	6	SHAFT, MAIN STAND PIVOT	F-31	3
RING SET, PISTON(O.S. 0.50)	E-16	2	SCREW, BLEEDER	F-12-10	3	SHAFT, REDUCTION GEAR	E-9	4
RING SET, PISTON(STD.)	E-16	2		F-17	9	SHAFT, ROCKER ARM	E-3	6
RING, BACK UP	F-11	6	SCREW, FLAT, 4X12	F-5	18	SHAFT, WATER PUMP	E-12	5
RING, OIL SEAL STOPPER	F-11	18	SCREW, FLAT, 4X45	F-15	18	SHIM, TAPPET(1.500)	E-3	14
RING, PISTON	F-11	10	SCREW, PAN, 5X14	F-43	16	SHIM, TAPPET(1.525)	E-3	14
RING, SEAL	E-23	11	SCREW, PAN, 6X10	F-24	11	SHIM, TAPPET(1.550)	E-3	14
RING, STOPPER	F-12-10	7	SCREW, PAN, 6X12	F-27	20	SHIM, TAPPET(1.575)	E-3	14
	F-17	11	SCREW, PAN, 6X14	F-22	9	SHIM, TAPPET(1.600)	E-3	14
ROD COMP., PUSH	F-15	11		F-27	19	SHIM, TAPPET(1.625)	E-3	14
ROD SUB ASSY., CUSHION CONNECTING	F-33	7	SCREW, PAN, 6X18.5	F-22	11	SHIM, TAPPET(1.650)	E-3	14
ROD, CLUTCH LIFTER	E-8	9	SCREW, SIDE STAND PIVOT	F-31	5	SHIM, TAPPET(1.675)	E-3	14
ROLLER, 3X8.5	E-19	21	SCREW, SPECIAL, 5X11	F-43	14	SHIM, TAPPET(1.700)	E-3	14
ROLLER, 4X23.8	E-12	13	SCREW, TAPPING, 3X20	F-2	7	SHIM, TAPPET(1.725)	E-3	14
ROLLER, 4X23.8	E-14	8	SCREW, TAPPING, 3X6	F-41	26	SHIM, TAPPET(1.750)	E-3	14
RUBBER SPONGE, KEY SHUTTER	F-39	5	SCREW, TAPPING, 4X12	F-22	12	SHIM, TAPPET(1.775)	E-3	14
RUBBER, BALANCER DUMPER(IK)	E-16	8		F-24	13	SHIM, TAPPET(1.800)	E-3	14
RUBBER, CROSS PLATE GUARD	F-39	12		F-34	9	SHIM, TAPPET(1.825)	E-3	14
RUBBER, FR. FENDER MOUNTING	F-10	3	SCREW, TAPPING, 5X12	F-34	10	SHIM, TAPPET(1.850)	E-3	14
RUBBER, FR. FENDER MOUNTING	F-10	3		F-1	4	SHIM, TAPPET(1.875)	E-3	14
RUBBER, FUEL TANK	F-21	6		F-24	14	SHIM, TAPPET(1.900)	E-3	14
RUBBER, GEAR CHANGE PEDAL	F-29	3		F-36	2	SHIM, TAPPET(1.925)	E-3	14
RUBBER, HANDLE CUSHION	F-7	6		F-43	19	SHIM, TAPPET(1.950)	E-3	14
RUBBER, HEADLIGHT CASE MOUNTING	F-41	21	SCREW, TAPPING, 5X14(PO)	F-2	8	SHIM, TAPPET(1.975)	E-3	14
RUBBER, HEAT GUARD	F-41	13	SCREW, TAPPING, 5X20	F-25	21	SHIM, TAPPET(2.000)	E-3	14
RUBBER, KICK STARTER	F-29	6	SCREW, U-LOCK FLAT, 6X12	F-39	23	SHIM, TAPPET(2.025)	E-3	14
RUBBER, L. WINKER MOUNTING	F-35	5	SCREW-WASHER, 4X10	E-23	15	SHIM, TAPPET(2.050)	E-3	14
RUBBER, LOWER COWL	F-22	8	SCREW-WASHER, 4X12	F-5	19	SHIM, TAPPET(2.075)	E-3	14
RUBBER, MAIN STEP	F-30	4		F-15	22	SHIM, TAPPET(2.100)	E-3	14
RUBBER, METER SETTING	F-2	3	SCREW-WASHER, 4X16	E-23	16	SHIM, TAPPET(2.125)	E-3	14
RUBBER, MOUNT	F-27	7	SCREW-WASHER, 4X6	F-41	25	SHIM, TAPPET(2.150)	E-3	14
RUBBER, MOUNTING	E-1	4	SCREW-WASHER, 5X20	F-4	18	SHIM, TAPPET(2.175)	E-3	14
RUBBER, MUFFLER MOUNTING	F-27	13	SCREW-WASHER, TORX(5X12)	E-23	5	SHIM, TAPPET(2.200)	E-3	14
	F-27	14	SEAL SET, FR. FORK	F-11	12	SHIM, TAPPET(2.225)	E-3	14
RUBBER, PROTECTOR MOUNTING	F-27	8	SEAL SET, PISTON	F-12-10	1	SHIM, TAPPET(2.250)	E-3	14
RUBBER, PROTECTOR PACKING	F-27	2		F-17	2	SHIM, TAPPET(2.275)	E-3	14
RUBBER, R. COVER	E-6	4	SEAL, AIR CLEANER CASE	F-25	3	SHIM, TAPPET(2.300)	E-3	14
RUBBER, R. WINKER MOUNTING	F-35	3		F-25	4	SHIM, TAPPET(2.325)	E-3	14
RUBBER, RADIATOR LOWER	F-41	14	SEAL, DUST	F-21	10	SHIM, TAPPET(2.350)	E-3	14
RUBBER, SEAT CUSHION	F-23	6	SEAL, LID	F-25	5	SHIM, TAPPET(2.375)	E-3	14
	F-23	7	SEAL, MECHANICAL	E-12	2	SHIM, TAPPET(2.400)	E-3	14
RUBBER, SEAT SETTING	F-23	5	SEAL, VALVE STEM	E-3	1	SHIM, TAPPET(2.425)	E-3	14
RUBBER, SHOCK(MAGNETIC)	F-37	4		E-3	1	SHIM, TAPPET(2.450)	E-3	14
RUBBER, SIDE COVER	F-1	2	SEAT COMP., DOUBLE	F-23	4	SHIM, TAPPET(2.475)	E-3	14
	F-24	4	SEAT, RATCHET SPRING	E-20	6	SHIM, TAPPET(2.500)	E-3	14
	F-25	20	SEAT, VALVE SPRING	E-3	12	SHIM, TAPPET(2.525)	E-3	14
RUBBER, STAND STOPPER	F-27	18	SENSOR ASSY., BANK ANGLE(M6)	F-38	9	SHIM, TAPPET(2.550)	E-3	14
RUBBER, TAILLIGHT BRACKET	F-38	8	SENSOR ASSY., SPEED	E-15	8	SHIM, TAPPET(2.575)	E-3	14
RUBBER, TAILLIGHT MOUNTING	F-21	19	SENSOR ASSY., WATER TEMP	E-2	8	SHIM, TAPPET(2.600)	E-3	14
RUBBER, TANK COVER	F-21	7	SENSOR SET	E-23	1	SHIM, TAPPET(2.625)	E-3	14
			SENSOR, OXYGEN	F-27	17	SHIM, TAPPET(2.650)	E-3	14

INDEKS NAMA PART

Nama Part	No. Blok	Ref	Nama Part	No. Blok	Ref	Nama Part	No. Blok	Ref
SHIM, TAPPET(2.675)	E-3	14	STATOR COMP.	E-11	2	(V)		
SHIM, TAPPET(2.700)	E-3	14	STAY COMP., COMBINATION SWITCH	F-39	4	VALVE SET, IDLE AIR CONTROL	E-23	9
SHIM, TAPPET(2.725)	E-3	14	STAY COMP., HEADLIGHT COVER (RR)	F-7	9	VALVE, EX.	E-3	8
SHIM, TAPPET(2.750)	E-3	14	STAY, FR. FENDER	F-10	2	VALVE, IN.	E-3	7
SHIM, TAPPET(2.775)	E-3	14	STAY, FR. NUMBER PLATE	F-43	8	VALVE, RIM	F-14-40	2
SHIM, TAPPET(2.800)	E-3	14	STAY, SEAT LOCK CABLE	F-23	11		F-19-40	12
SHIM, TAPPET(2.825)	E-3	14	STAY, WIRE	E-23	6	(W)		
SHIM, TAPPET(2.850)	E-3	14	STEM COMP. ASSY., STEERING	F-9	6	WASHER, 12.2X17X1.5	E-2	13
SHIM, TAPPET(2.875)	E-3	14	STOPPER COMP., GEARSHIFT DRUM	E-19	7	WASHER, 12MM	E-12	9
SHIM, TAPPET(2.900)	E-3	14	STOPPER, KICK STARTER	F-39	11	WASHER, 12X24X2.3	E-11	3
SHROUD COMP.	F-41	3	STRIPE SET, L.	F-50	2	WASHER, 14.1MM	E-8	15
SHROUD, L. INNER	F-22	5		F-50	2	WASHER, 15.5X22	F-29	13
SHROUD, L.(WL)	F-22	6	STRIPE SET, R.	F-50	2	WASHER, 17X22	F-31	7
	F-22	6		F-50	1	WASHER, 20MM	E-8	14
SHROUD, R. INNER	F-22	4		F-50	1	WASHER, 25X20.2X1	E-17	32
SHROUD, R.(WL)	F-22	1	SUB CORD, OXYGEN SENSOR EARTH	F-27	16	WASHER, 28.1X36X1.8	E-16	12
	F-22	1	SUSPENSION, ENGINE CONTROL UNIT	F-38	16	WASHER, 28.2X45X1.0	E-16	11
	F-22	1	SUSPENSION, RELAY CASE(2P)	F-38	12	WASHER, 3X11X1.0	E-15	10
SLEEVE, RR. WHEEL	F-19-40	4	SWINGARM SUB ASSY., RR.	F-32	9	WASHER, 6.1MM	E-19	17
SLIDER, CHAIN	F-32	8	SWITCH ASSY., FR. STOP	F-5	1	WASHER, 6MM	F-10	8
SPACER, IGNITION COIL	F-38	2	SWITCH ASSY., RR. STOP	F-29	8	WASHER, 7X13X1.2	E-12	7
SPANNER, 10X14	F-48	4	SWITCH ASSY., START	F-4	5	WASHER, 8MM	E-2	14
SPINDLE COMP., GEARSHIFT	E-19	9	SWITCH ASSY., STARTER MAGNETIC	F-37	3	WASHER, HANDLE UNDER HOLDER	F-7	14
SPINDLE, KICK STARTER	E-20	5	SWITCH ASSY., WINKER	F-4	7	WASHER, LOCK, 17MM	E-17	21
SPRING A, SIDE STAND	F-31	9	SWITCH ASSY., WINKER	F-4	7	WASHER, LOCK, 20X19X1.0	E-17	23
SPRING ASSY., MAIN STAND	F-31	2	SWITCH COMP., FR. LEVER	F-4	8	WASHER, OIL BOLT	F-5	16
SPRING, BALANCER GEAR	E-16	9					F-15	20
SPRING, BEARING PUSH	E-15	5	(T)			WASHER, PLAIN, 10MM	F-33	16
SPRING, BRAKE PEDAL	F-29	11	TANK COMP., FUEL(WL)	F-21	8	WASHER, PLAIN, 17MM	E-8	13
SPRING, CARBON BRUSH	E-13	3		F-21	8	WASHER, PLAIN, 5MM	F-2	9
SPRING, CHANGE SWITCH CONTACT	E-19	14	TANK RAD, RESERVE	F-41	38	WASHER, PLAIN, 6MM	F-21	22
SPRING, CLUTCH	E-8	8	TANK, RADIATOR RESERVE	F-41	12	WASHER, PLAIN, 8MM	F-30	17
SPRING, CLUTCH LEVER	E-6	9	TENSIONER COMP., CAM CHAIN	E-4	2		F-27	23
SPRING, FR. FORK	F-11	2	TERMINAL SET, BRUSH	E-13	2		F-30	18
SPRING, GEARSHIFT ARM	E-19	10	THERMOSTAT	F-41	15	WASHER, RR. AXLE	F-19-40	18
SPRING, GEARSHIFT DRUM STOPPER	E-19	8	THREAD COMP., STEERING HEAD TOP	F-9	7	WASHER, SEALING, 6.5MM	E-12	8
SPRING, GEARSHIFT RETURN	E-19	11	THROTTLE BODY ASSY.(GQ1LA A)	E-23	7	WASHER, SPECIAL, 12MM	E-17	30
SPRING, KICK RETURN	E-20	7	TIRE, FR.(100/80-17 M/C 52P)	F-14-40	7	WASHER, SPECIAL, 14MM	E-20	9
SPRING, KICK STARTER	F-29	7	TIRE, RR.(130/70-17 M/C 62P)	F-19-40	11	WASHER, SPECIAL, 15MM	E-17	27
SPRING, KICK STARTER STOPPER	F-30	1	TOOL SET	F-48	6	WASHER, SPECIAL, 8MM	F-11	17
SPRING, LOCK KEY SETTING	F-23	3	TUBE A, THERMOSTAT CASE	F-41	18	WASHER, SPLINE, 17MM	E-17	24
SPRING, PAD	F-12-10	6	TUBE ASSY., BREATHER	F-25	17	WASHER, SPLINE, 17X23X1.6	E-17	31
	F-17	4	TUBE ASSY., FUEL TANK BREATHER	F-21	5	WASHER, SPLINE, 20MM	E-17	29
SPRING, RATCHET	E-20	4	TUBE, 5.3X650(95005-55001-20M)	F-41	32	WASHER, SWITCH BOSS	F-29	1
SPRING, REBOUND	F-11	7	TUBE, 5X480	F-41	31	WASHER, THRUST, 15MM	E-17	26
SPRING, STOP SWITCH	F-29	9	TUBE, AIR CLEANER CONNECTING	F-25	14	WASHER, THRUST, 17MM	E-17	22
SPRING, THRUST	E-16	10	TUBE, AIR CLEANER DRAIN	F-25	10	WASHER, THRUST, 20X19X1.0	E-17	25
SPRING, VALVE INNER	E-3	10	TUBE, DRAIN	F-25	8	WASHER, THRUST, 6MM	E-19	16
SPRING, VALVE OUTER	E-3	9	TUBE, FUEL DRAIN	F-21	4	WASHER, WAVE	F-12-10	12
SPROCKET COMP., FINAL DRIVEN (46T)	F-19-40	2	TUBE, WATER DRAIN	E-6	5	WEIGHT COMP., BALANCER	E-16	6
SPROCKET, DRIVE(15T)	E-17	18						
STAND COMP., MAIN	F-31	1						

INDEKS NAMA PART

Nama Part	No. Blok	Ref	Nama Part	No. Blok	Ref	Nama Part	No. Blok	Ref
WEIGHT, BALANCE(10G)	F-14-40	1						
	F-19-40	10						
WEIGHT, BALANCE(20G)	F-14-40	1						
	F-19-40	10						
WEIGHT, BALANCE(30G)	F-14-40	1						
	F-19-40	10						
WHEEL, FR.	F-14-40	6						
WHEEL, RR.	F-19-40	9						
WINKER ASSY., L. FR.	F-35	4						
	F-35	7						
WINKER ASSY., R. FR.	F-35	1						
	F-35	6						
WIRE, HELMET SET	F-48	1						
WRENCH, HEX., 5MM	F-48	3						
WRENCH, SPARK PLUG	F-48	2						

PT Astra Honda Motor
TECHNICAL SERVICE DIVISION

Dipublikasikan oleh :
Honda Motor Co., Ltd.
Dicetak di Indonesia

ID.XXX.6200.2015.07.15