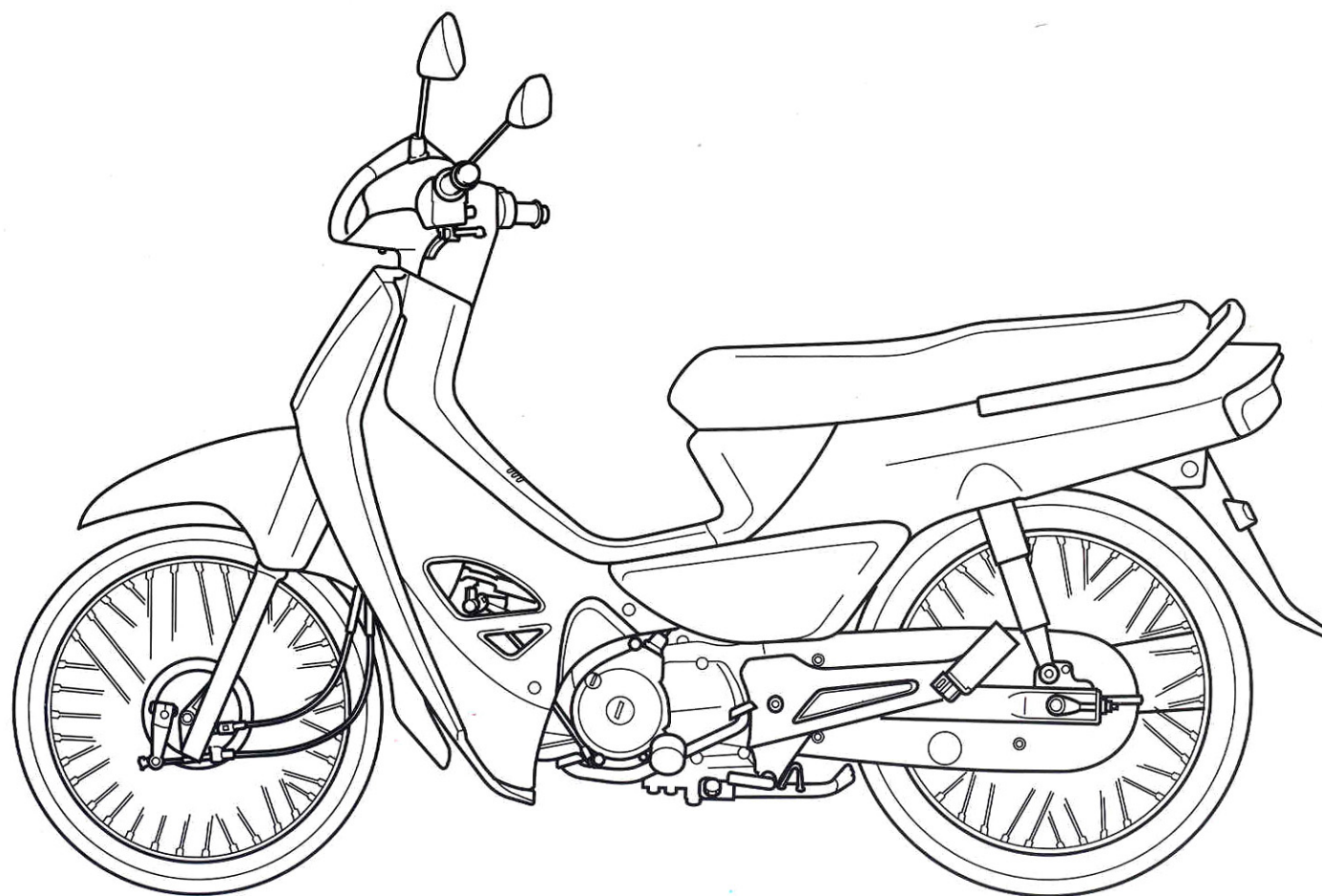




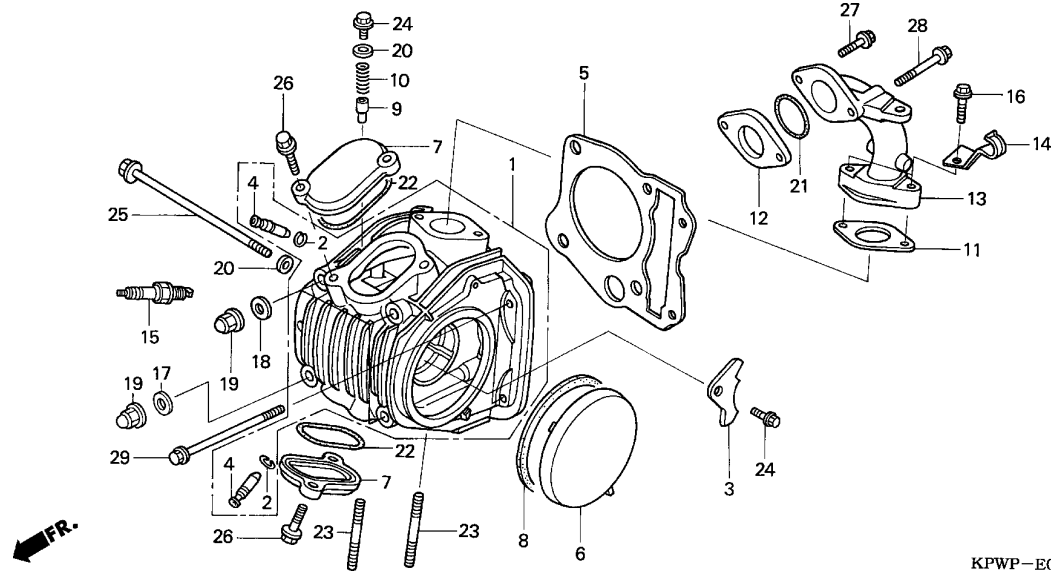
KIRANA



PARTS CATALOG
EDISI **1**

E-1

CYLINDER HEAD



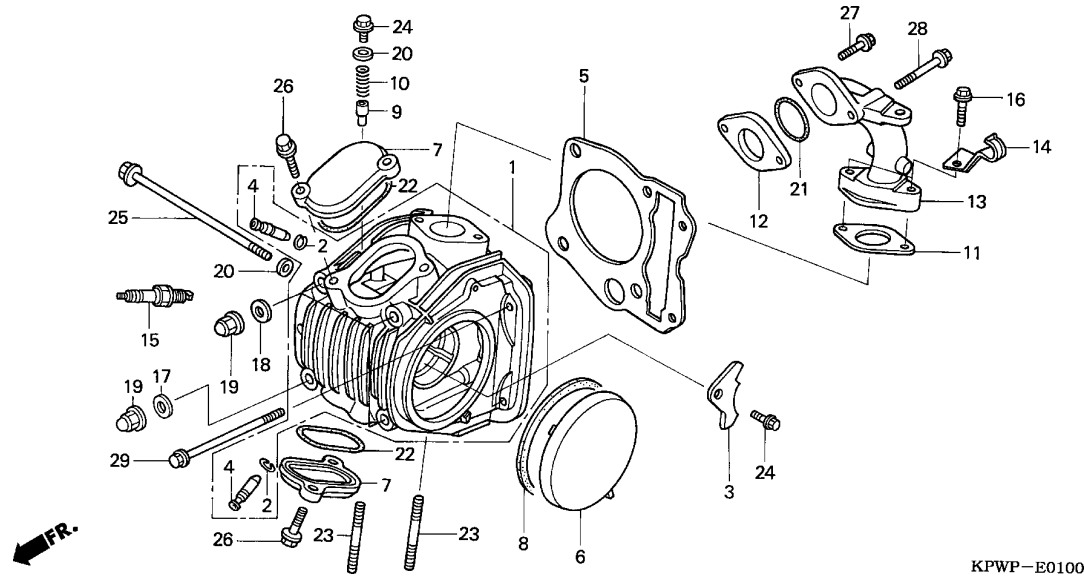
KPWP-E0100

Service item	F.R.T.
COVER, TAPPET ADJUSTING HOLE	0,1
(WAKTU SAMA UNTUK DUA UNIT)	
.PLUG, SPARK	
COVER, L. CYLINDER HEAD SIDE	0,2
BOLT, STUD, 8X28	0,3
(TAMBAHKAN 0,1 UNTUK MASING2)	
INSULATOR, CARBURETOR	0,4
PIPE, IN.	0,5
GASKET, CYLINDER HEAD	1,1
HEAD COMP., CYLINDER	1,8

No	Part Number	Description	Qty	Notes
1	12200-KPH-881	HEAD COMP., CYLINDER	1	
2	12211-KFM-900	CLIP, VALVE GUIDE	2	
3	12211-KPH-900	PLATE, STOPPER	1	
4	12237-KPH-900	GUIDE, VALVE (O.S)	2	
5	12251-KPH-901	GASKET, CYLINDER HEAD	1	
6	12341-KPH-900	COVER, L. CYLINDER HEAD SIDE	1	
7	12361-KPH-900	COVER, TAPPET ADJUSTING HOLE	2	
8	12395-KPH-900	GASKET, L. CYLINDER HEAD SIDE COVER	1	
9	14125-KPH-900	PLUNGER, CAM SETTING	1	
10	14126-KPH-900	SPRING, PLUNGER	1	
11	16201-KCW-851	GASKET, CARBURETOR INSULATOR	1	
12	16211-KPH-900	INSULATOR, CARBURETOR	1	
13	17110-KPW-860	PIPE, IN.	1	
14	17640-KPW-900	CLAMPER, FUEL TUBE	1	
15	9806786881	PLUG, SPARK (CPR6EA-9)(NGK)	1	
	9806786871	PLUG, SPARK (U20EPR9)(DENSO)	1	
16	90004-GHB-670	BOLT, FLANGE, 6X25(NSHF)	2	
17	90441-ME9-000	WASHER, SEALING, 8MM	1	
18	90441-286-000	WASHER, SEALING, 8MM	3	
19	90443-107-000	NUT, CAP, 8MM	4	
20	90461-357-000	WASHER, SEALING, 6.5X12	2	

E-1

CYLINDER HEAD



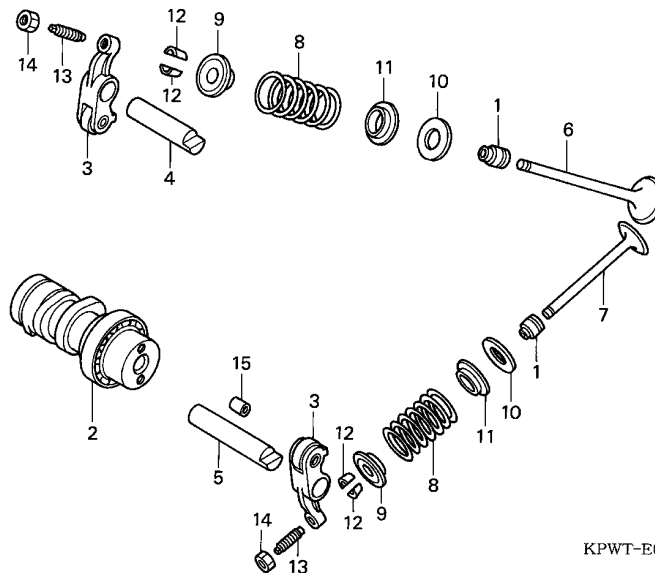
Service item

F.R.T.

No	Part Number	Description	Q'ty	Notes
21	91304-GB1-900	O-RING, 25X2.4	1	
22	91372-KPH-900	O-RING, TAPPET ADJUSTING HOLE CAP	2	
23	92900-08028-0E	BOLT, STUD, 2.8X28	2	
24	95701-06012-00	BOLT, FLANGE, 6X12	2	
25	95701-06110-00	BOLT, FLANGE, 6X110	1	
26	96001-06020-00	BOLT, FLANGE, 6X20	4	
27	96001-06022-00	BOLT, FLANGE, 6X22	1	
28	96001-06045-00	BOLT, FLANGE, 6X45	1	
29	96001-06095-00	BOLT, FLANGE, 6X95	2	

E-2

CAMSHAFT/VALVE



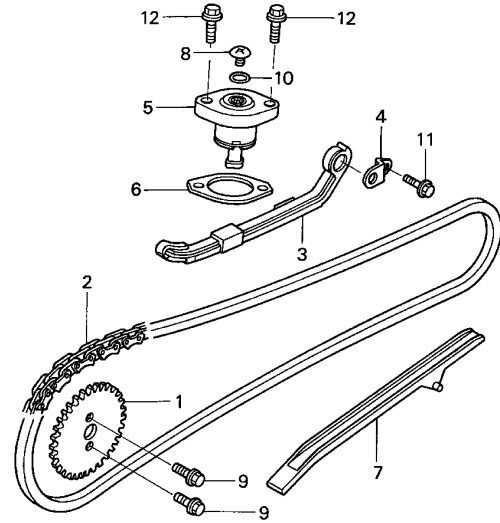
KPWT-E0200

Service item	F.R.T.
ARM COMP., VALVE ROCKER (SAMA WAKTU UNTUK DUA UNIT)	1,3
.CAMSHAFT COMP.	
.SHAFT, EX. ROCKER ARM (SAMA WAKTU UNTUK DUA UNIT)	
.SHAFT, IN. ROCKER ARM	
SPRING, VALVE	1,4
(TAMBAHKAN 0,1 UNTUK MASING2) (TERMASUK PART YANG BERHUBUNGAN)	
VALVE	1,6
(TAMBAHKAN 0,2 UNTUK MASING2) (TERMASUK SKIR KLEP) (TIDAK TERMASUK PENGGANTIAN VALVE GUIDE)	

No	Part Number	Description	Q'ty	Notes
1	12209-GB4-681	SEAL, VALVE STEM (NOK)	2	
2	14100-KPH-900	AMSHAFT COMP.	1	
3	14430-KPH-900	ARM COMP, VALVE ROCKER	2	
4	14451-KPH-900	SHAFT, IN. ROCKER ARM	1	
5	14452-KPH-900	SHAFT, EX. ROCKER ARM	1	
6	14711-KPH-900	VALVE, IN.	1	
7	14721-KPH-880	VALVE, EX.	1	
8	14751-KPH-900	SPRING, VALVE	2	
9	14771-GB4-680	RETAINER, VALVE SPRING	2	
10	14775-KFM-900	SEAT, VALVE SPRING OUTER	2	
11	14776-KPH-900	SEAT, VALVE SPRING	2	
12	14781-MA6-000	COTTER, VALVE	4	
13	90012-333-000	SCREW, TAPPET ADJUSTING	2	
14	90206-001-000	NUT, TAPPET ADJUSTING	2	
15	90702-KFM-900	DOWEL PIN, 8X12	1	

E-3

CAM CHAIN/TENSIONER



KPWN-E0300

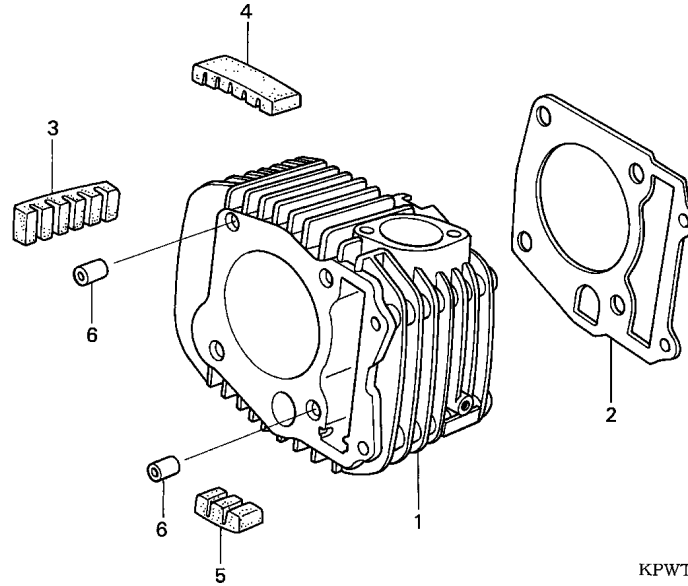
Service item	F.R.T.
LIFTER ASSY., TENSIONER	0,3
SPROCKET, CAM	0,6
CHAIN, CAM	1,1
.GUIDE COMP., CAM CHAIN	
.TENSIONER ASSY., CAM CHAIN	

No	Part Number	Description	Q'ty	Notes
1	14321-KPH-900	SPROCKET, CAM (34T)	1	
2	14401-KPH-900	CHAIN, CAM	1	
3	14510-KPH-880	TENSIONER ASSY., CAM CHAIN	1	
4	14515-KGH-900	PLATE, TENSIONER SETTING	1	
5	14520-KPH-901	LIFTER ASSY., TENSIONER	1	
6	14560-KGH-900	GASKET, TENSIONER LIFTER	1	
7	14610-KPH-900	GUIDE COMP., CAM CHAIN	1	
8	90005-KY7-000	SCREW, PAN, 6X6	1	
9	90083-GB6-911	BOLT, KNOCK, 5MM	2	
10	91306-MG3-000	O-RING, 1.5X9.5	1	
11	95701-06014-00	BOLT, FLANGE, 6X14	1	
12	96001-06022-00	BOLT, FLANGE, 6X22	2	

2

E-4

CYLINDER

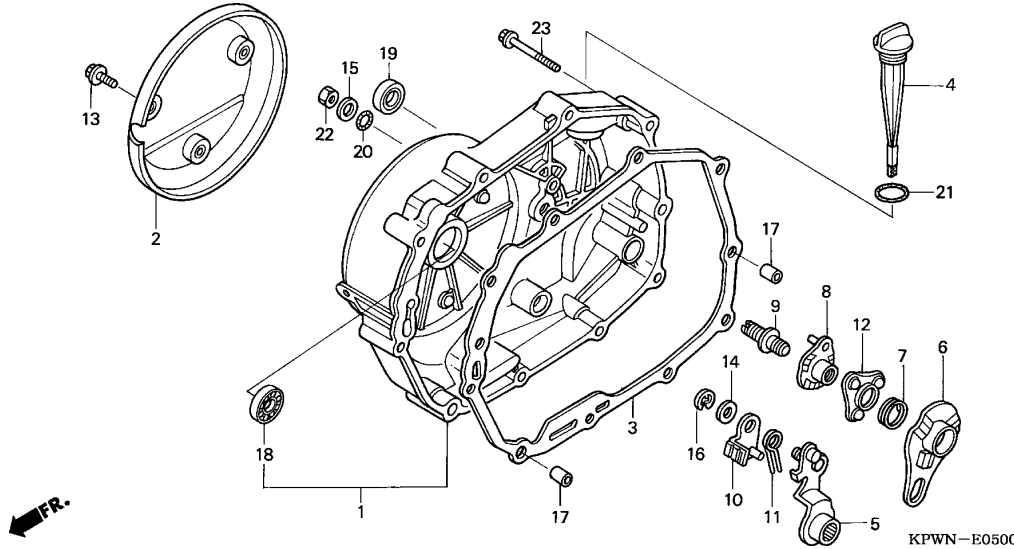


Service item	F.R.T.
GASKET, CYLINDER	1,3
CYLINDER COMP.	1,4

No	Part Number	Description	Q'ty	Notes
1	12100-KPH-900	CYLINDER COMP.	1	
2	12191-KPH-900	GASKET, CYLINDER	1	
3	12195-KPH-900	RUBBER A, INSERT	1	
4	12196-KPH-900	RUBBER B, INSERT	1	
5	12197-KPH-900	RUBBER C, INSERT	1	
6	94301-10120	DOWEL PIN, 10X12	2	

E-5

RIGHT CRANKCASE COVER



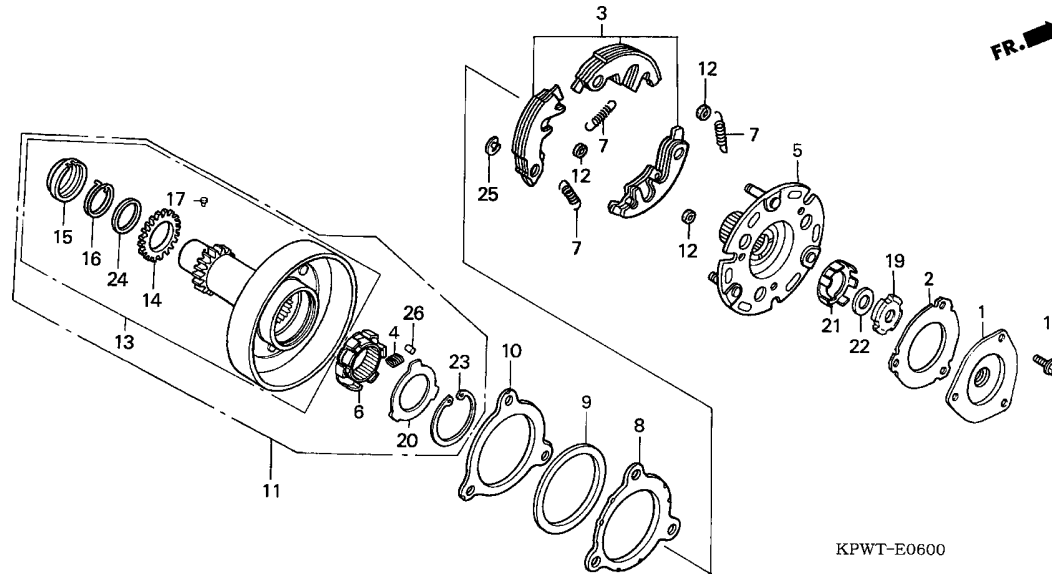
Service item	F.R.T.
PROTECTOR COMP., R. COVER	0,1
GASKET, R. CRANKCASE COVER	0,6
.OIL SEAL, 16X28X7	
.PLATE COMP., CLUTCH CAM	
LEVER COMP., CLUTCH	0,7
(TERMASUK PART YANG BERHUBUNGAN)	
.PLATE COMP., CLUTCH LIFTER	
(TERMASUK PART YANG BERHUBUNGAN)	
COVER COMP., R. CRANKCASE	0,8

No	Part Number	Description	Q'ty	Notes
1	11330-KPH-880	COVER COMP., R. CRANKCASE	1	
2	11370-KPH-880	PROTECTOR COMP., R. COVER	1	
3	11394-KPH-900	GASKET, R. CRANKCASE COVER	1	
4	15651-KPH-880	GAUGE, OIL LEVEL	1	
5	22810-KPH-900	LEVER COMP., CLUTCH	1	
6	22820-KPH-900	PLATE COMP., CLUTCH CAM	1	
7	22825-046-000	SPRING, CAM PLATE SIDE	1	
8	22830-KPH-900	PLATE COMP., CLUTCH LIFTER	1	
9	22846-KPH-900	BOLT, CLUTCH ADJUSTING	1	
10	22850-KPH-900	PLATE COMP., BRAKE	1	
11	22853-KPH-900	SPRING, BRAKE	1	
12	22860-HB3-000	RETAINER COMP., BALL	1	
13	90004-GHB-610	BOLT, FLANGE, 6X12(NSHF)	3	
14	90443-844-000	WASHER, THRUST, 8MM	1	
15	90485-040-000	WASHER, 8MM	1	
16	90605-166-720	CIRCLIP, 7MM	1	
17	90702-KFM-900	DOWEL PIN, 8X12	2	
18	91007-KPH-901	BEARING, RADIAL BALL SPECIAL, 6001U	1	
19	91204-MC7-003	OIL SEAL, 16X28X7	1	
20	91303-001-000	O-RING, 8MM	1	
21	91307-035-000	O-RING, 18X3	1	
22	94030-08000	NUT, HEX., 8MM	1	
23	96001-06040-00	BOLT, FLANGE, 6X40	10	

2

E-6

ONE WAY CLUTCH



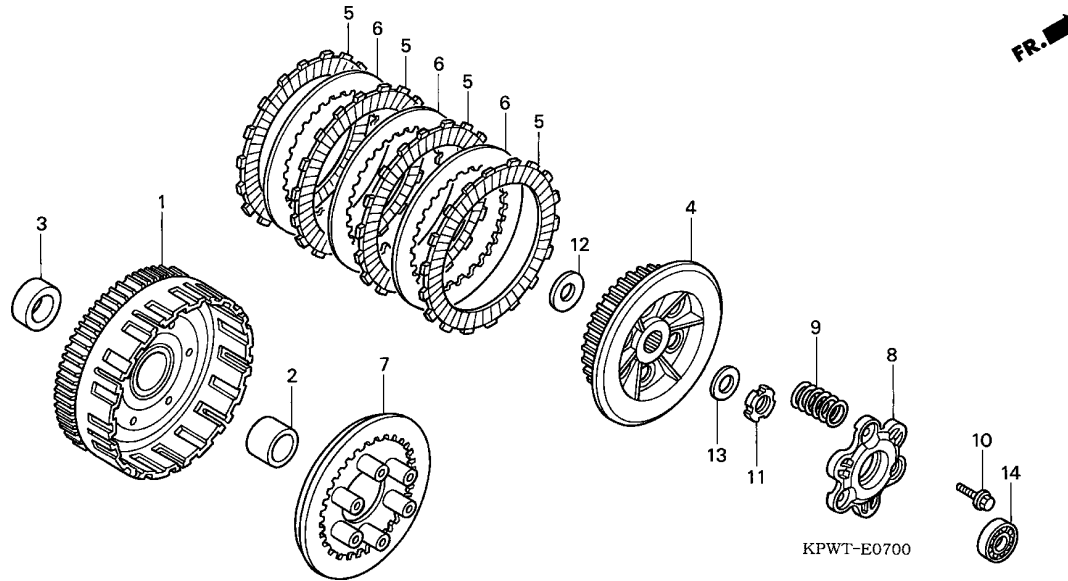
KPWT-E0600

Service item	F.R.T.
COVER, OIL FILTER	0,7
INNER COMP., ONE-WAY CLUTCH	1,0
(TERMASUK PART YANG BERHUBUNGAN)	
.OUTER ASSY., PRIMARY CLUTCH	
.PLATE COMP., PRIMARY DRIVE	
.WEIGHT SET, PRIMARY CLUTCH	
GEAR COMP., PRIMARY DRIVE	1,1

No	Part Number	Description	Q'ty	Notes
1	15431-KPH-900	COVER, OIL FILTER	1	
2	15439-KPH-900	GASKET, OIL FILTER	1	
3	22530-KPH-900	WEIGHT SET, PRIMARY CLUTCH	1	
4	22606-GN5-910	SPRING, ONE WAY RETAINER	6	
5	22610-KPH-900	PLATE COMP., PRIMARY DRIVE	1	
6	22630-GB2-000	INNER COMP., ONE-WAY CLUTCH	1	
7	22641-KPH-900	SPRING, PRIMARY CLUTCH	3	
8	22642-KPH-900	WASHER, CLUTCH SIDE	1	
9	22643-KPH-900	SPRING, SIDE FRICTION	1	
10	22644-KPH-900	PLATE, CLUTCH SIDE	1	
11	22660-KPH-880	OUTER ASSY., PRIMARY CLUTCH	1	
12	22804-GB2-000	RUBBER, CLUTCH DAMPER	3	
13	23120-KPH-900	GEAR COMP., PRIMARY DRIVE	1	
14	23122-KPH-900	SUB GEAR (20T)	1	
15	23123-PH-900	RETAINER, SPRING	1	
16	23124-KPH-900	SPRING, SUB GEAR	1	
17	23125-GN5-910	PIN, STOPPER	1	
18	90083-KFL-850	BOLT, SPECIAL FLANGE, 5X8	3	
19	90231-087-010	NUT, LOCK, 14MM	1	
20	90401-GB2-000	WASHER, 30X45X0.8	1	
21	90431-GN5-910	WASHER, LOCK	1	
22	90432-086-000	WASHER B, LOCK	1	
23	90455-GB2-000	CIRCLIP, INTERNAL, 45MM	1	
24	90603-KPH-900	SET RING, 25MM	1	
25	90605-166-720	CIRCLIP, 7MM	3	
26	91101-GB2-000	ROLLER, 5X8	6	

E-7

CLUTCH



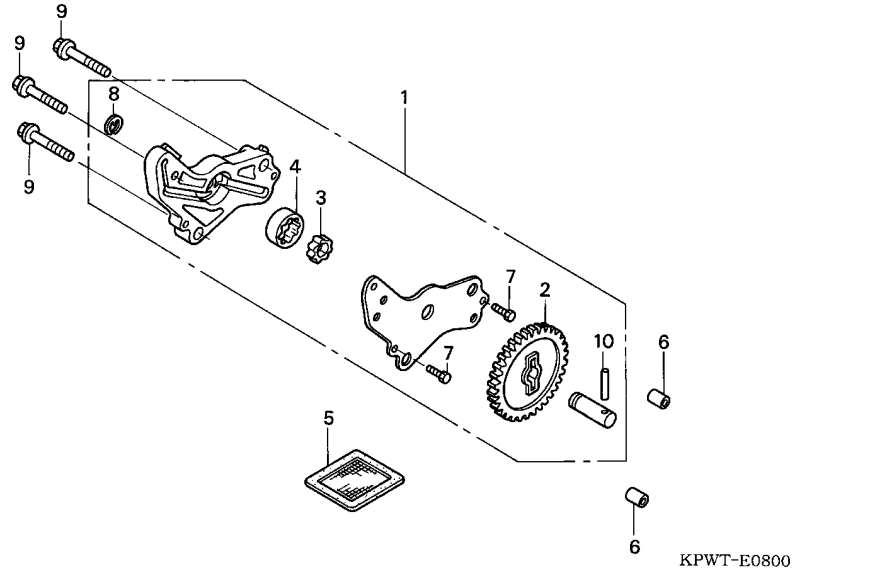
Service item	F.R.T.
BEARING, RADIAL BALL, 6804	0,7
OUTER COMP., CLUTCH	1,0
.PLATE, CLUTCH LIFTER	
.SPRING, CLUTCH	
(WAKTU SAMA UNTUK DUA UNIT ATAU LEBIH)	
CENTER, CLUTCH	1,2
.DISK, CLUTCH FRICTION	
(TERMASUK PART YANG BERHUBUNGAN)	
(WAKTU SAMA UNTUK DUA UNIT ATAU LEBIH)	
.PLATE, CLUTCH PRESSURE	

No	Part Number	Description	Q'ty	Notes
1	22100-KPH-900	OUTER COMP., CLUTCH	1	
2	22115-KPH-900	GUIDE, CLUTCH OUTER	1	
3	22116-KPH-900	COLLAR, CLUTCH OUTER	1	
4	22121-KPH-900	CENTER, CLUTCH	1	
5	22201-KPH-900	DISK, CLUTCH FRICTION	4	
6	22321-KE8-000	PLATE, CLUTCH	3	
7	22350-KPH-900	PLATE, CLUTCH PRESSURE	1	
8	22361-KPH-900	PLATE, CLUTCH LIFTER	1	
9	22401-KPH-900	SPRING, CLUTCH	6	
10	90050-KPH-900	BOLT, SPECIAL FLANGE, 6X20	3	
11	90231-KM7-700	NUT, LOCK, 14MM	1	
12	90403-KPH-900	WASHER, THRUST, 17MM	1	
13	90501-GBL-730	WASHER, 14MM	1	
14	91002-MG8-003	BEARING, RADIAL BALL, 6804 (KOYO)	1	

2

E-8

OIL PUMP

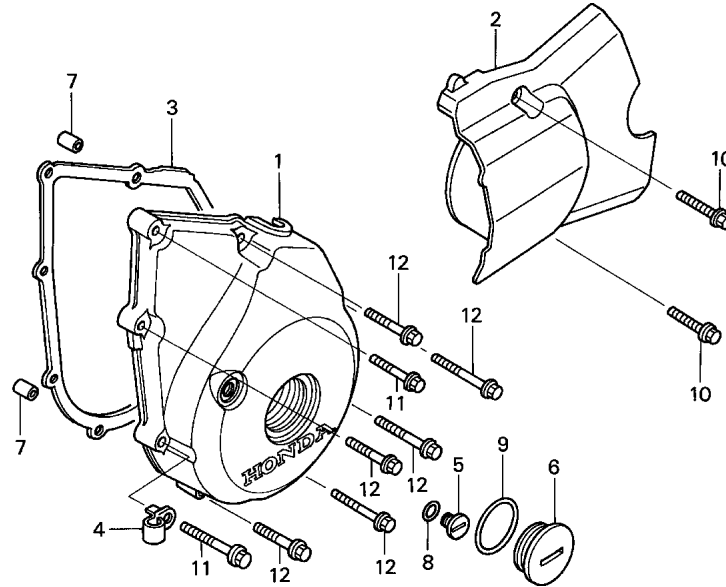


Service item	F.R.T.
SCREEN, OIL FILTER	0,6
PUMP ASSY., OIL	1,2
(TERMASUK PART YANG BERHUBUNGAN)	

No	Part Number	Description	Q'ty	Notes
1	15100-KPH-900	PUMP ASSY., OIL	1	
2	15133-KPH-900	GEAR, OIL PUMP DRIVEN (30T)	1	
3	15331-GF6-000	ROTOR, OIL PUMP INNER	1	
4	15332-GF6-000	ROTOR, OIL PUMP OUTER	1	
5	15421-035-010	SCREEN, OIL FILTER	1	
6	90702-KFM-900	DOWEL PIN, 8X12	2	
7	93301-05012-OJ	BOLT, HEX., 5X12	2	
8	94540-06018	E-RING, 6MM	1	
9	95701-06035-00	BOLT, FLANGE, 6X35	3	
10	96220-40238	ROLLER, 4X23.8	1	

E-9

LEFT CRANKCASE COVER



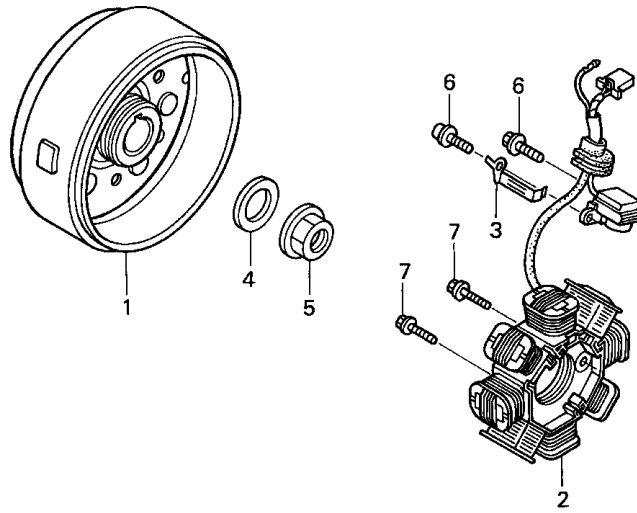
Service item	F.R.T.
COVER COMP., L. RR.	0,1
GASKET, L. CRANKCASE COVER	0,3
COVER, L. CRANKCASE	0,4

No	Part Number	Description	Q'ty	Notes
1	11341-KPH-880	COVER, L. CRANKCASE	1	
2	11360-KPW-901	COVER COMP., L. RR.	1	
3	11395-KPH-900	GASKET, L. CRANKCASE COVER	1	
4	16236-GBG-900	CLAMP, OVER FLOW PIPE	1	
5	90084-428-000	CAP, A.C. GENERATOR	1	
6	90087-KGH-900	CAP, 30MM	1	
7	90702-KFM-900	DOWEL PIN, 8X12	2	
8	91303-377-000	O-RING, 13.8X2.5	1	
9	91356-KGH-901	O-RING, 30MM	1	
10	96001-06022-00	BOLT, FLANGE, 6X22	2	
11	96001-06028-00	BOLT, FLANGE, 6X28	2	
12	96001-06035-00	BOLT, FLANGE, 6X35	6	

2

E-10

GENERATOR



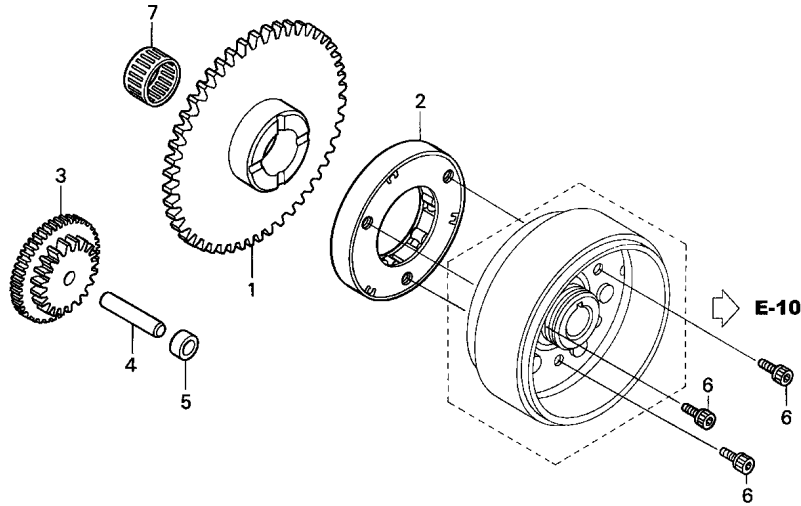
KPWN-E1000

Service item	F.R.T.
FLYWHEEL COMP.	0,5
.STATOR COMP.	

No	Part Number	Description	Q'ty	Notes
1	31110-KPW-871	FLYWHEEL COMP.	1	
2	31120-KPW-901	STATOR COMP.	1	
3	32961-KPH-900	CLAMPER, A.C. GENERATOR CORD	1	
4	90439-SB2-010	WASHER, SPECIAL, 24X12X2.3	1	
5	94050-12000	NUT, FLANGE, 12MM	1	
6	96001-06014-00	BOLT, FLANGE, 6X14	2	
7	96001-06022-00	BOLT, FLANGE, 6X22	2	

E-11

STARTING CLUTCH



FR.

KPWT-E1100

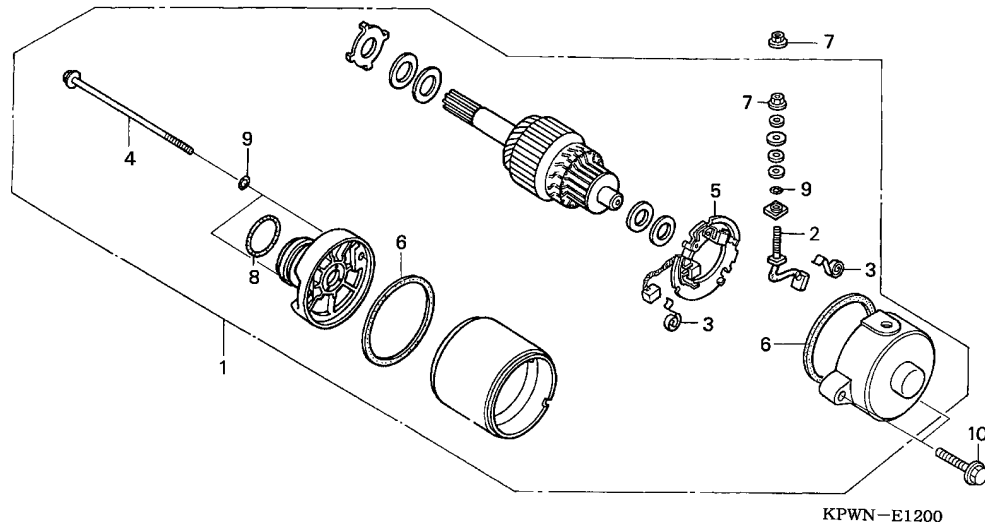
Service item	F.R.T.
GEAR, STARTER REDUCTION	0,3
GEAR COMP., STARTER DRIVEN	0,4
CLUTCH ASSY., ONE WAY	0,5

No	Part Number	Description	Q'ty	Notes
1	28110-KPH-900	GEAR COMP., STARTER DRIVEN (57T)	1	
2	28120-KPH-901	CLUTCH ASSY., ONE WAY	1	
3	28131-KPH-880	GEAR, STARTER REDUCTION (17T/55T)	1	
4	28132-KPH-900	SHAFT, REDUCTION GEAR	1	
5	28133-KPH-900	COLLAR, STARTER REDUCTION	1	
6	90010-KM1-000	BOLT, SOCKET, 8X18	3	
7	91071-KPH-901	BEARING, NEEDLE, 21X25X17	1	

2

E-12

STARTING MOTOR

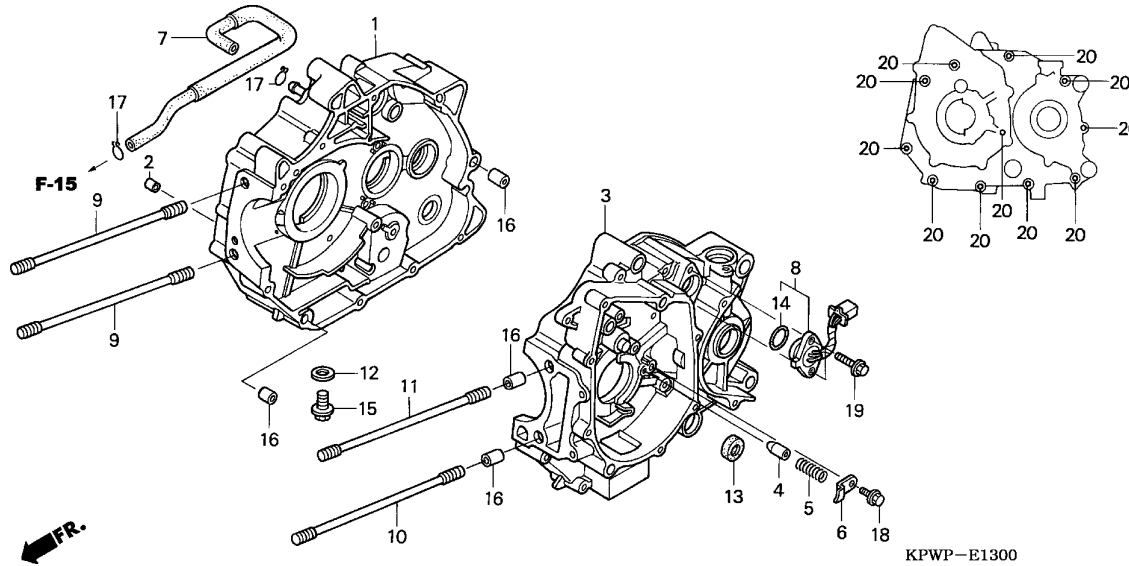


Service item	F.R.T.
MOTOR ASSY., STARTING	0,3
BRUSH SET, TERMINAL	0,5
.HOLDER, BRUSH	

No	Part Number	Description	Q'ty	Notes
1	31200-KPH-881	MOTOR ASSY., STARTER	1	
2	31201-MBE-008	BRUSH SET, TERMINAL	1	
3	31204-KS5-901	SPRING, BRUSH	2	
4	31205-MBE-008	BOLT, SETTING	2	
5	31206-MBE-008	HOLDER, BRUSH	1	
6	31207-MBE-008	RING	2	
7	90071-MB0-000	NUT-WASHER, 6MM	2	
8	91309-425-003	O-RING, 24.4X3.1(ARAI)	1	
9	91320-MBO-008	O-RING	3	
10	95701-06025-00	BOLT, FLANGE, 6X25	2	

E-13

CRANKCASE



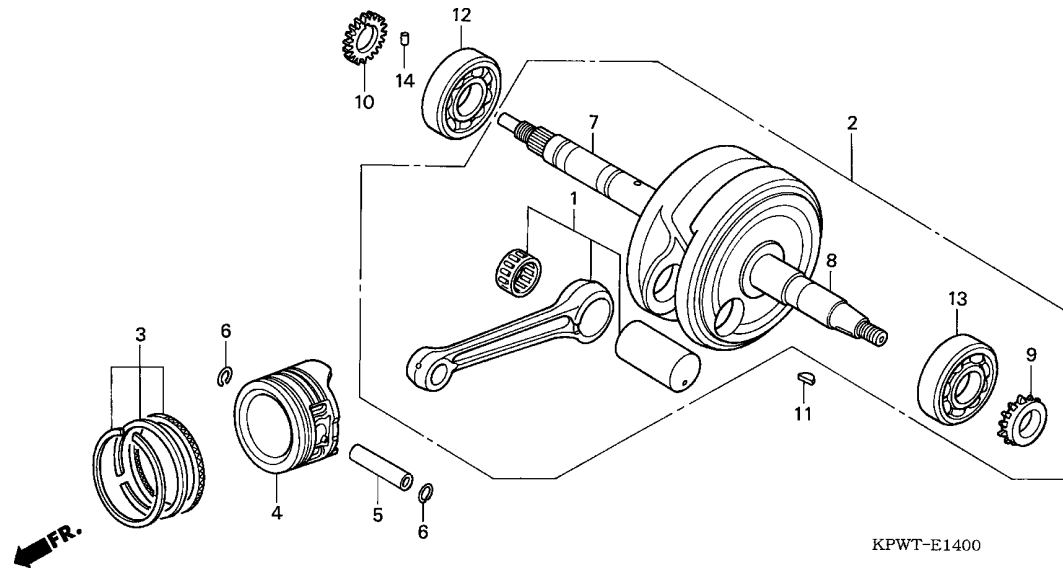
Service item	F.R.T.
SWITCH SET, CHANGE	0,3
CRANKCASE COMP., R.	* 4,3
CRANKCASE COMP., L.	* 4,9

No	Part Number	Description	Q'ty	Notes
1	11100-KPH-880	CRANKCASE COMP., R.	1	
2	11133-KPH-900	JET, OIL, 0.8MM	1	
3	11200-KPW-901	CRANKCASE COMP., L.	1	
4	11215-KPH-900	PLUG, BEARING PUSH	1	
5	11216-KPH-900	SPRING, BEARING PUSH	1	
6	11217-KPH-900	PLATE, BEARING	1	
7	15761-KPH-900	TUBE, BREATHER	1	
8	35750-KPH-900	SWITCH SET, CHANGE	1	
9	90031-KPH-900	BOLT, CYLINDER STUD	2	
10	90032-KPH-900	BOLT, CYLINDER STUD	1	
11	90033-KPH-900	BOLT, CYLINDER STUD	1	
12	90407-259-000	PACKING, DRAIN COCK, 12.5X20	1	
13	91208-KPH-901	OIL SEAL, 11.6X24X10	1	
14	91305-KPH-900	O-RING, 21X2.3	1	
15	92800-12000	BOLT, DRAIN PLUG, 12MM	1	
16	94301-10120	DOWEL PIN, 10X12	4	
17	95002-70000	CLIP, TUBE (C11)	2	
18	95701-06014-00	BOLT, FLANGE, 6X14	1	
19	95701-06016-00	BOLT, FLANGE, 6X16	2	
20	96001-06060-00	BOLT, FLANGE, 6X60	11	

2

E-14

CRANKSHAFT/PISTON

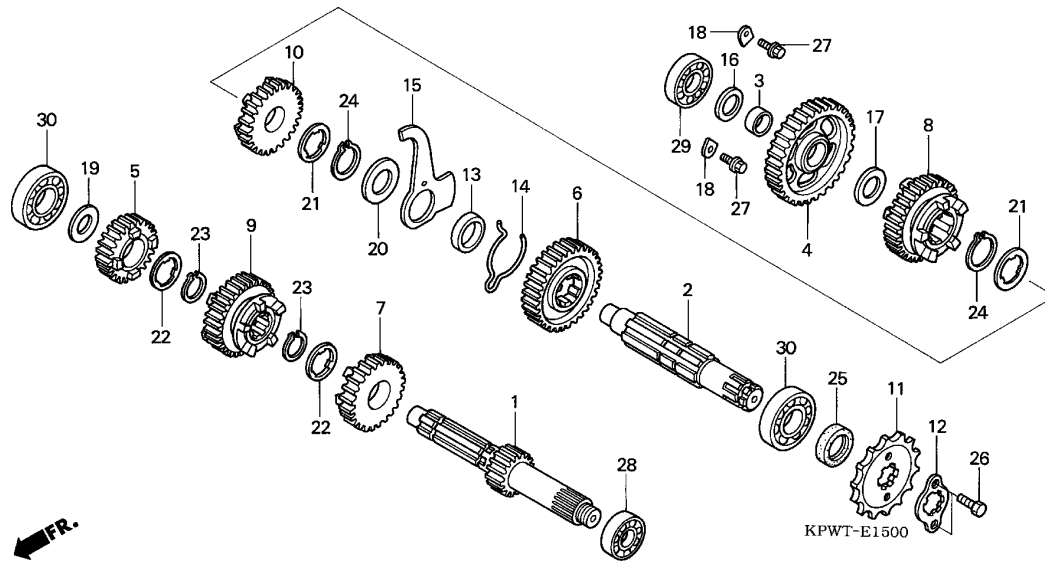


Service item	F.R.T.
ROD KIT, CONNECTING	—
(ACTUAL TIME)	
PIN, PISTON	1,4
PISTON	1,5
.RING SET, PISTON	
CRANKSHAFT COMP.	*4,4
BEARING, RADIAL BALL, 63/22	*4,6

No	Part Number	Description	Qty	Notes
1	13201-KFL-850	ROD KIT, CONNECTING	1	
2	13000-KPH-880	CRANKSHAFT COMP.	1	
3	13011-KPH-880	RING SET, PISTON (STD.)	1	
	13021-KPH-880	RING SET, PISTON (0.25)	(1)	
	13031-KPH-880	RING SET, PISTON (0.50)	(1)	
	13041-KPH-880	RING SET, PISTON (0.75)	(1)	
	13051-KPH-880	RING SET, PISTON (1.00)	(1)	
4	13101-KPH-881	PISTON	1	
	13102-KPH-881	PISTON (0.25)	(1)	
	13103-KPH-881	PISTON (0.50)	(1)	
	13104-KPH-881	PISTON (0.75)	(1)	
	13105-KPH-881	PISTON (1.00)	(1)	
5	13111-087-000	PIN, PISTON	1	
6	13115-GN5-910	CLIP, PISTON PIN, 13MM	2	
7	13310-KPH-900	CRANKSHAFT COMP., R.	1	
8	13321-KPH-900	CRANKSHAFT, L.	1	
9	14311-KPH-900	SPROCKET, TIMING (17T)	1	
10	15341-KPH-900	GEAR, OIL PUMP DRIVE (19T)	1	
11	90741-003-010	KEY, WOODRUFF, 4MM	1	
12	91001-KPH-880	BEARING, RADIAL BALL, 63/22	1	
13	91002-KPH-880	BEARING, RADIAL BALL, 63/22	1	
14	94303-03050	DOWEL PIN, 3X5	1	

E-15

TRANSMISSION



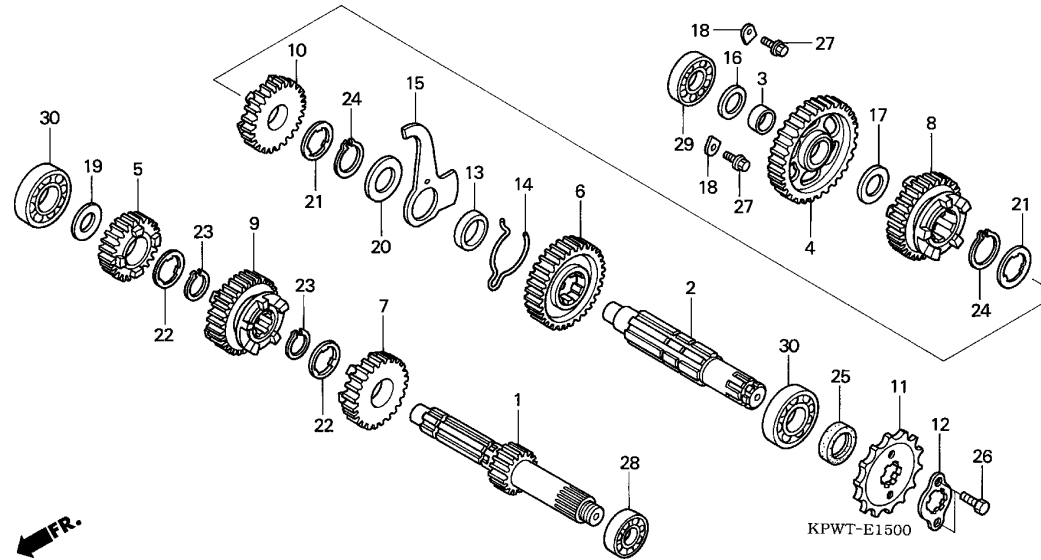
Service item	F.R.T.
SPROCKET, DRIVE	0,2
COUNTERSHAFT	*4,1
(TERMASUK PART YANG BERHUNUNGAN)	
.MAINSHAFT	
(TERMASUK PART YANG BERHUBUNGAN)	
(WHEN SERVICING COMP., UNIT, F.R.T. IS 4.3)	

No	Part Number	Description	Q'ty	Notes
1	23211-KPH-881	MAINSHAFT (14T)	1	
2	23221-KPH-881	COUNTERSHAFT	1	
3	23415-KPH-900	BUSH, 15MM	1	
4	23421-KPH-900	GEAR, COUNTERSHAFT FIRST (35T)	1	
5	23431-KPH-900	GEAR, MAINSHAFT SECOND (20T)	1	
6	23441-KPH-900	GEAR, COUNTERSHAFT SECOND (31T)	1	
7	23451-KPH-900	GEAR, MAINSHAFT THIRD (20T)	1	
8	23461-KPH-900	GEAR, COUNTERSHAFT THIRD (23T)	1	
9	23471-KPH-900	GEAR, MAINSHAFT FOURTH (26T)	1	
10	23481-KPH-900	GEAR, COUNTERSHAFT FOURTH (24T)	1	
11	23801-KPH-900	SPROCKET, DRIVE (14T)	1	
12	23802-GN5-910	PLATE, FIXING	1	
13	23911-KPH-900	COLLAR, LOCK PLATE	1	
14	24305-KPH-900	SPRING, CHANGE FRICTION	1	
15	24306-KPH-900	PLATE, DRUM LOCK	1	
16	90412-KPH-900	WASHER, SPECIAL, 12X23	1	
17	90412-187-000	WASHER, THRUST, 15MM	1	
18	90441-KA4-700	PLATE, BEARING HOLDER	2	
19	90452-KGH-900	WASHER, SPECIAL, 12MM	1	
20	90452-413-000	WASHER, THRUST, 20MM	1	

2

E-15

STARTING CLUTCH



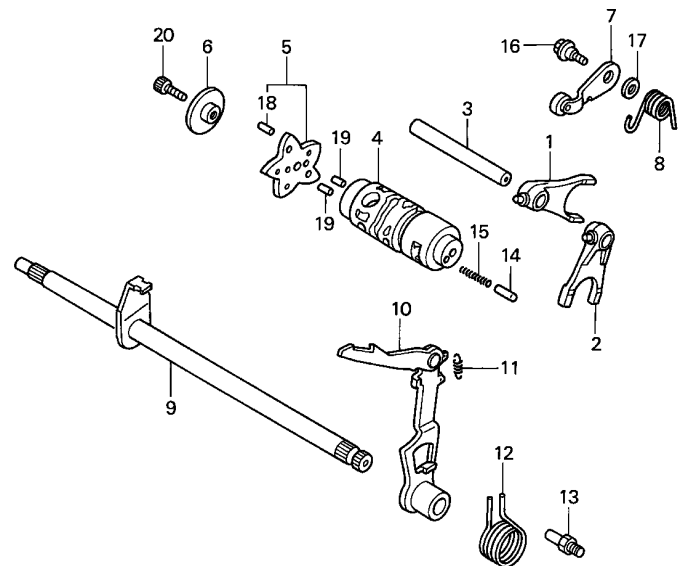
Service item

F.R.T.

No	Part Number	Description	Q'ty	Notes
21	90461-GB4-770	WASHER, SPLINE, 20X1.2	2	
22	90461-115-000	WASHER, SPLINE, 17MM	2	
23	90601-001-000	CIRCLIP, EXTERNAL, 17MM	2	
24	90605-200-000	SET RING, 20MM	2	
25	91204-KPH-901	OIL SEAL, 17X30X5	1	
26	92101-06010-0A	BOLT, HEX., 6X10	2	
27	95701-06014-00	BOLT, FLANGE, 6X14	2	
28	96100-60010-00	BEARING, RADIAL BALL, 6001	1	
29	96100-62010-00	BEARING, RADIAL BALL, 6201	1	
30	96100-62030-00	BEARING, RADIAL BALL, 6203	2	

E-16

GEARSHIFT DRUM



KPWT-E1600

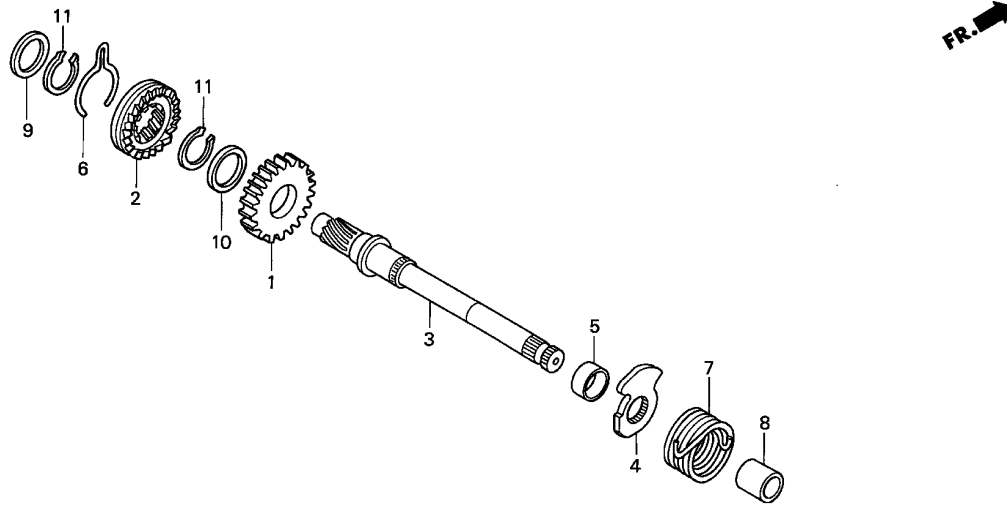
Service item

F.R.T.

No	Part Number	Description	Qty	Notes
1	24211-KPH-900	FORK, R. GEARSHIFT	1	
2	24212-KPH-900	FORK, L. GEARSHIFT	1	
3	24241-KPH-900	SHAFT, GEARSHIFT FORK	1	
4	24301-KPH-900	DRUM, GEARSHIFT	1	
5	24410-KPH-900	PLATE COMP., GEARSHIFT DRUM STOPPER	1	
6	24421-KPH-900	HOLDER, DRUM STOPPER	1	
7	24430-KPH-900	STOPPER COMP., GEARSHIFT DRUM	1	
8	24435-KPH-900	SPRING, SHIFT DRUM STOPPER	1	
9	24610-KPH-900	SPINDLE COMP., GEARSHIFT	1	
10	24630-KPH-900	ARM COMP., GEARSHIFT	1	
11	24641-KPH-900	SPRING, GEARSHIFT ARM	1	
12	24651-KPH-900	SPRING, GEARSHIFT RETURN	1	
13	24652-KPH-900	PIN, SHIFT RETURN SPRING	1	
14	35751-KPH-900	CAP, CHANGE SWITCH CONTACT	1	
15	35752-KPH-900	SPRING, CHANGE SWITCH CONTACT	1	
16	90022-MG8-000	PIVOT, SHIFT DRUM STOPPER ARM	1	
17	90435-HB3-000	WASHER, 6.1MM	1	
18	91111-KW7-900	ROLLER, 4X10.8	5	
19	96220-30085	ROLLER, 3X8.5	2	
20	96700-06016-00	BOLT, SOCKET, 6X16	1	

E-17

KICK STARTER SPINDLE



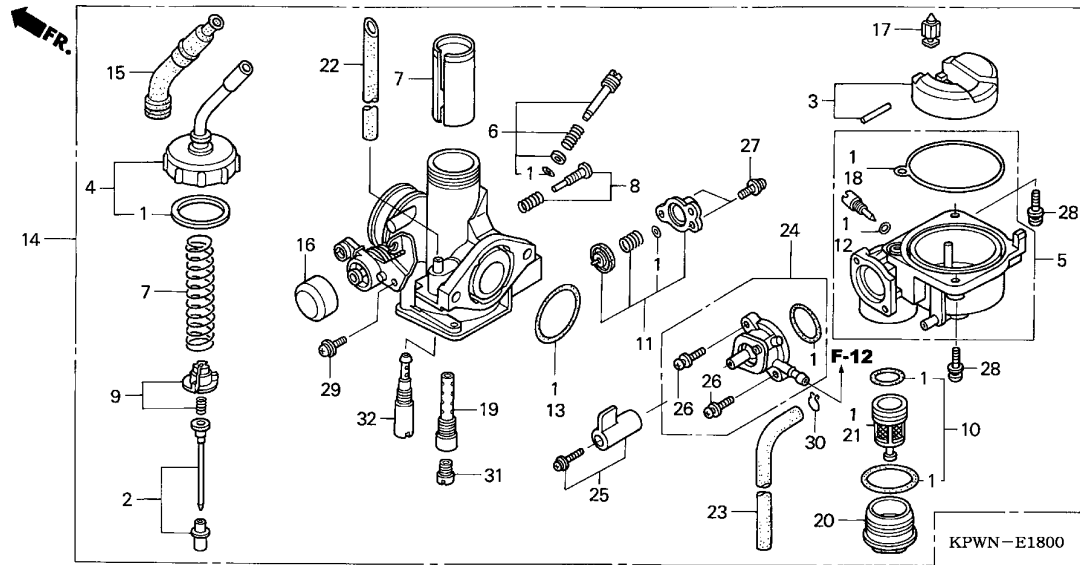
KPWT-E1700

Service item	F.R.T.
SPRING, KICK RETURN	1,1
PINION, KICK STARTER	*4,0
.SPINDLE, KICK STARTER	

No	Part Number	Description	Q'ty	Notes
1	28211-KPH-900	PINION, KICK STARTER (27T)	1	
2	28221-KPH-900	RATCHET, STARTER DRIVE	1	
3	28251-KPH-900	SPINDLE, KICK STARTER	1	
4	28262-KPH-900	RETAINER, KICK SPRING	1	
5	28265-KPH-900	COLLAR, KICK RETAINER	1	
6	28271-KPH-900	SPRING, STARTER PINION FRICTION	1	
7	28281-KPH-900	SPRING, KICK RETURN	1	
8	28282-KPH-900	COLLAR, KICK SPRING	1	
9	90452-KPH-900	WASHER, THRUST, 15.5MM	1	
10	90454-KPH-900	WASHER, 25X20.2X1	1	
11	90605-200-000	SET RING, 20MM	2	

E-18

CARBURETOR



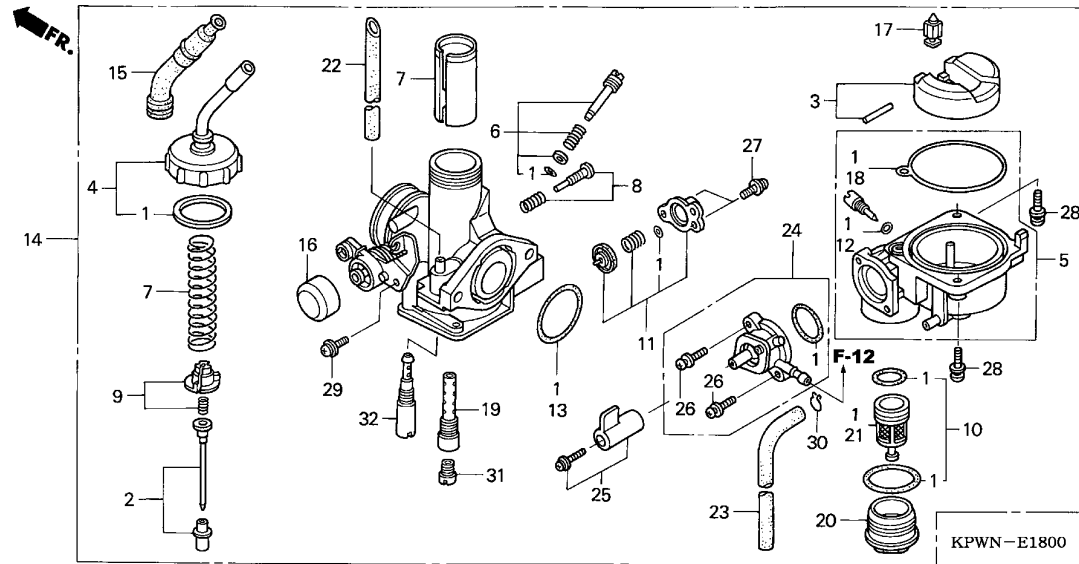
Service item	F.R.T.
SCREEN, FUEL STRAINER	0,1
BODY SET, COCK	0,2
.TOP SET	
VALVE SET, THROTTLE	0,3
CHAMBER SET, FLOAT	0,5
CARBURETOR ASSY.	0,6
.FLOAT SET	
.JET, MAIN,	
.VALVE COMP., FLOAT	
NEEDLE SET, JET	0,7

No	Part Number	Description	Q'ty	Notes
1	16010-KPW-901	GASKET SET	1	
2	16012-KPH-901	NEEDLE SET, JET	1	
3	16013-KPG-901	FLOAT SET	1	
4	16014-KPH-901	TOP SET	1	
5	16015-KPW-902	CHAMBER SET, FLOAT	1	
6	16016-KEV-831	SCREW SET	1	
7	16022-KPW-902	VALVE SET, THROTTLE	1	
8	16028-KPH-901	SCREW SET	1	
9	16037-KPH-901	PLATE SET, VALVE	1	
10	16040-GB0-911	GASKET SET B	1	
11	16048-KPH-901	VALVE SET, AIR CUT	1	
12	16075-GHB-640	O-RING, 1.3X4.3	1	
13	16075-KPH-901	O-RING	1	
14	16100-KPW-862	CARBURETOR ASSY. (APBF2A A)	1	
15	16118-GB4-003	CAP, CABLE SEALING	1	
16	16148-141-881	CAP, CHOKE DUST	1	
17	16155-883-005	VALVE COMP., FLOAT	1	
18	16163-GBG-960	GASKET, FLOAT CHAMBER	1	
19	16165-KPH-901	HOLDER, NEEDLE JET	1	
20	16175-GB0-911	CUP, FUEL STRAINER	1	

2

E-18

CARBURETOR



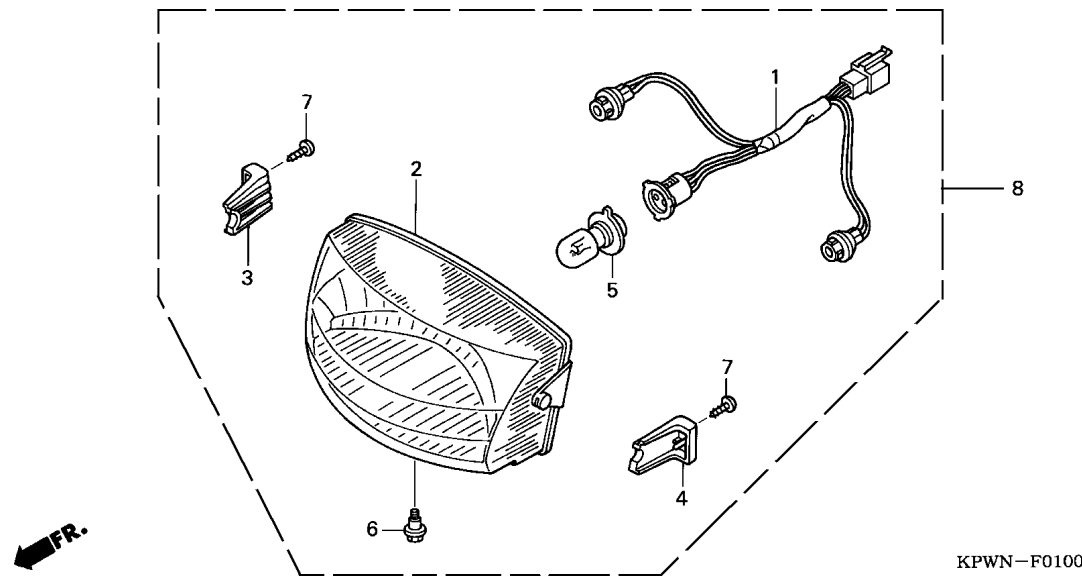
Service item

F.R.T.

No	Part Number	Description	Q'ty	Notes
21	16176-GB0-911	SCREEN, FUEL STRAINER	1	
22	16199-KPH-901	TUBE, AIR VENT	1	
23	16199-435-771	TUBE, OVERFLOW	1	
24	16951-KPW-901	BODY SET, COCK	1	
25	16963-KPW-901	LEVER SET, COCK	1	
26	93892-03012-18	SCREW-WASHER, 3X12	2	
27	93892-04010-10	SCREW-WASHER, 4X10	2	
28	93892-04014-18	SCREW-WASHER, 4X14	2	
29	93892-05010-18	SCREW-WASHER, 5X10	1	
30	95002-02659	CLIP, TUBE (B6.5)	1	
31	99101-KPH-078	JET, MAIN, #75	1	
32	99103-KPH-035	JET, SLOW, #35	1	

F-1

HEADLIGHT



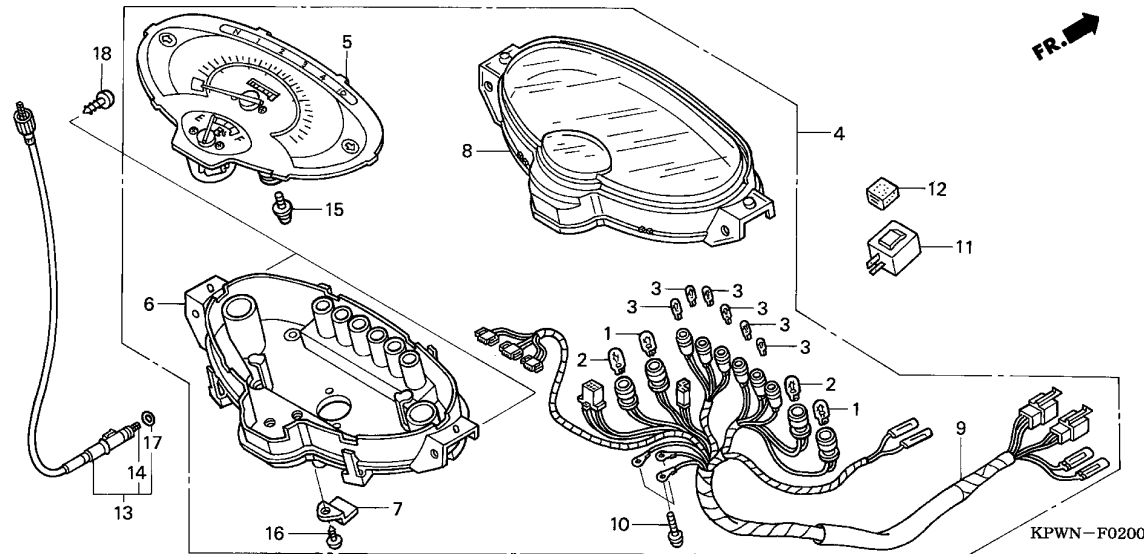
Service item	F.R.T.
BULB, HEADLIGHT	0,2
.SOCKET ASSY., HEADLIGHT	
HEADLIGHT UNIT	0,3

3

No	Part Number	Description	Q'ty	Notes
1	33105-KPW-861	SOCKET ASSY., HEADLIGHT	1	
2	33110-KPW-861	HEADLIGHT UNIT	1	
3	33118-KPW-901	BRACKET, R. HEADLIGHT	1	
4	33119-KPW-901	BRACKET, L. HEADLIGHT	1	
5	34901-KPH-881	BULB, HEADLIGHT (12V 32/32W)	1	
6	90101-GJ6-000	BOLT, ADJUSTING	1	
7	93903-34380	SCREW, TAPPING, 4X12	2	
8	33100-KPW-861	HEADLIGHT, ASSY	1	

F-2

METER

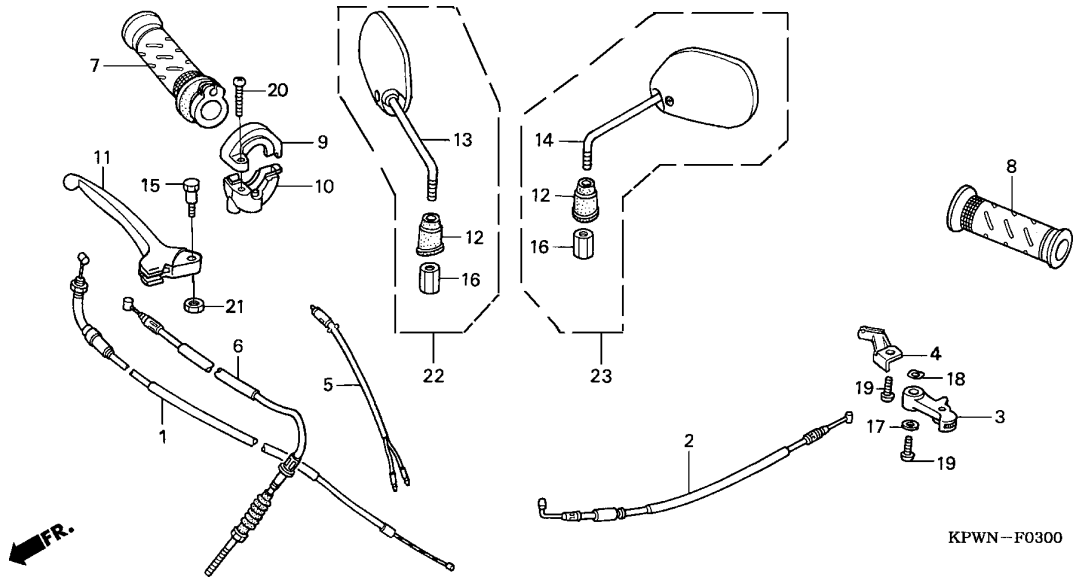


Service item	F.R.T.
CABLE, INNER	0,1
CABLE COMP., SPEEDOMETER	0,3
.RELAY COMP., WINKER	
LENS	0,4
.SPEEDOMETER ASSY.	
CASE	0,5
.METER COMP., SPEED & FUEL	
.SOCKET COMP.	

No	Part Number	Description	Q'ty	Notes
1	34908-GA7-701	BULB, WEDGE BASE (T10) (12V 3.4W)	2	
2	34908-MB9-871	BULB, WEDGE BASE (12V 1.7W)	2	
3	34908-MG9-951	BULB, WEDGE BASE (12V 1.7W)	6	
4	37200-KPW-861	SPEEDOMETER ASSY.	1	
5	37210-KPW-901	METER COMP., SPEED & FUEL	1	
6	37212-KPW-901	CASE	1	
7	37213-KPW-901	HOLDER, WINKER RELAY	1	
8	37221-KPW-901	LENS	1	
9	37224-KPW-861	SOCKET COMP.	1	
10	37305-KE5-008	SCREW-WASHER, 3X22	3	
11	38301-GBG-911	RELAY COMP., WINKER	1	
12	38306-KK4-000	SUSPENSION, WINKER RELAY (MITSUBA)	1	
13	44830-KFM-900	CABLE COMP., SPEEDOMETER	1	
14	44831-KFM-900	CABLE, INNER	1	
15	90035-166-008	SCREW-WASHER, SPECIAL, 4X10	2	
16	90101-KY6-008	SCREW, TAPPING, 3X14	1	
17	91352-671-003	O-RING, 8.5X1.5(ARAI)	1	
	91352-671-004	O-RING, 8.5X1.5(NOK)	1	
18	93903-25310	SCREW, TAPPING, 5X16	2	

F-3

HANDLE LEVER/CABLE/MIRROR



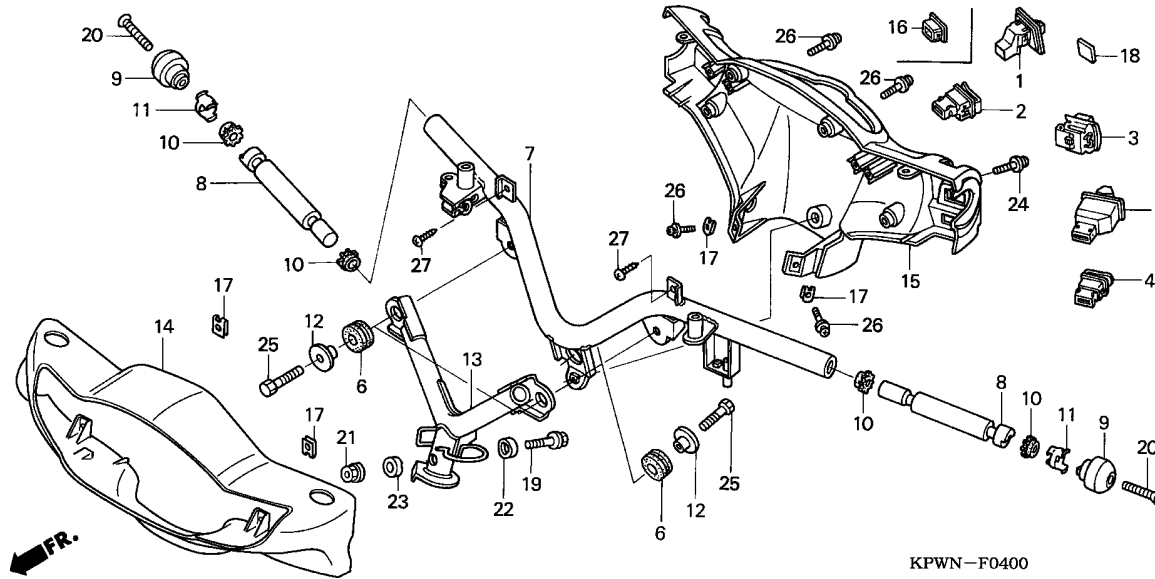
Service item	F.R.T.
GRIP, L. HANDLE	0,1
.LEVER, CHOKE	
GRIP COMP., THROTTLE	0,2
.HOUSING, UPPER THROTTLE	
.LEVER, R. STEERING HANDLE	
CABLE COMP., CHOKE	0,3
.HOUSING, UNDER THROTTLE	
.SWITCH ASSY., FR. STOP	
CABLE COMP., FR. BRAKE	0,4
CABLE COMP., THROTTLE	0,5

3

No	Part Number	Description	Q'ty	Notes
1	17910-KPH-900	CABLE COMP., THROTTLE	1	
2	17950-KPH-900	CABLE COMP., CHOKE	1	
3	17961-KFM-900	LEVER, CHOKE	1	
4	17962-KFM-900	STOPPER, CABLE	1	
5	35340-KPH-901	SWITCH ASSY., FR. STOP	1	
6	45450-KPW-900	CABLE COMP., FR. BRAKE	1	
7	53140-KPH-880	GRIP COMP., THROTTLE	1	
8	53166-KET-900	GRIP, L. HANDLE	1	
9	53167-KFM-900	HOUSING, UPPER THROTTLE	1	
10	53168-KFM-900	HOUSING, UNDER THROTTLE	1	
11	53175-KPW-900	LEVER, R. STEERING HANDLE	1	
12	88113-KET-900	CAP, LOCK NUT	2	
13	88210-KFM-900	MIRROR COMP., R.	1	
14	88220-KFM-900	MIRROR COMP., L.	1	
15	90115-KPW-900	BOLT, HANDLE LEVER PIVOT	1	
16	90314-KFM-900	NUT, LOCK	2	
17	90441-147-000	WASHER, PLAIN	1	
18	90442-147-000	WASHER, WAVE	1	
19	93500-05012-0G	SCREW, PAN, 5X12	2	
20	93500-05028-0A	SCREW, PAN, 5X28	1	
21	94001-05000-0S	NUT, HEX., 5MM	1	
22	88110-KFM-900	MIRROR, ASSY R BACK	1	
23	88120-KFM-900	MIRROR, ASSY L BACK	1	

F-4

HANDLE PIPE/HANDLE COVER/SWITCH

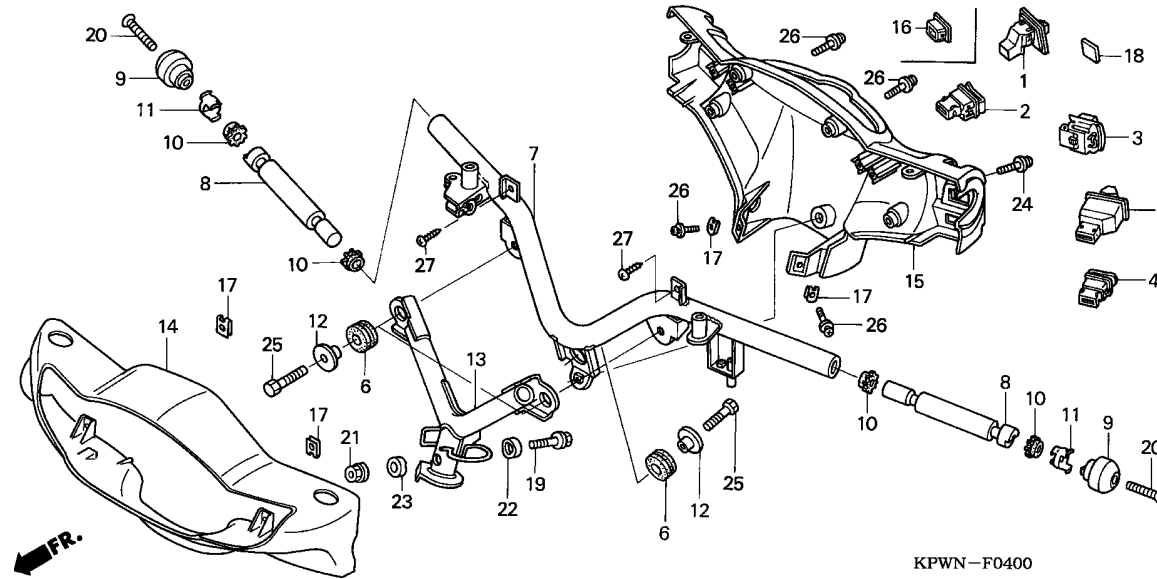


Service item	F.R.T.
WEIGHT B, STEERING HANDLE	0,2
COVER, FR. HANDLE	0,3
SWITCH UNIT, DIMMER	0,4
.SWITCH UNIT, HORN	
.SWITCH UNIT, LIGHTING	
.SWITCH UNIT, STARTING	
.SWITCH UNIT, WINKER	
POST COMP., HANDLE	0,5
COVER, HANDLE RR.	0,6
PIPE COMP., STEERING HANDLE	0,8

No	Part Number	Description	Q'ty	Notes
1	35150-KPW-861	SWITCH UNIT, LIGHTING	1	
2	35160-KPH-881	SWITCH UNIT, STARTING	1	
3	35170-KPW-901	SWITCH UNIT, DIMMER	1	
4	35180-KPH-881	SWITCH UNIT, HORN	1	
5	35200-KPW-901	SWITCH UNIT, WINKER	1	
6	50613-KFL-850	RUBBER, MAIN STEP MOUNTING	3	
7	53100-KPW-860	PIPE COMP., STEERING HANDLE	1	
8	53104-KPH-880	WEIGHT B, STEERING HANDLE	2	
9	53105-KPH-880	WEIGHT A, STEERING HANDLE	2	
10	53106-KR3-000	RUBBER A, HANDLE WEIGHT	4	
11	53108-KR3-770	RING, HANDLE WEIGHT SNAP	2	
12	53109-KPH-900	COLLAR, HANDLE MOUNTING	3	
13	53120-KPW-900	POST COMP., HANDLE	1	
14	53205-KPW-860FMB	COVER, FR. HANDLE *NH1* BLACK	1	
	53205-KPW-860FMH	*NH131M* STARLIGHT SILVER METALLIC	1	
15	53206-KPW-860	COVER, HANDLE RR.	1	
16	53207-KPH-900	CAP, HANDLE COVER	-	
17	64521-MN5-000	NUT, CLIP, 4MM	6	
18	86150-GFC-900	EMBLEM, WING MARK	1	
19	90106-GN5-900	BOLT, FLANGE, 10X50	1	
20	90191-KPH-880	SCREW, OVAL, 6X70	2	

F-4

HANDLE PIPE/HANDLE COVER/SWITCH



Service item

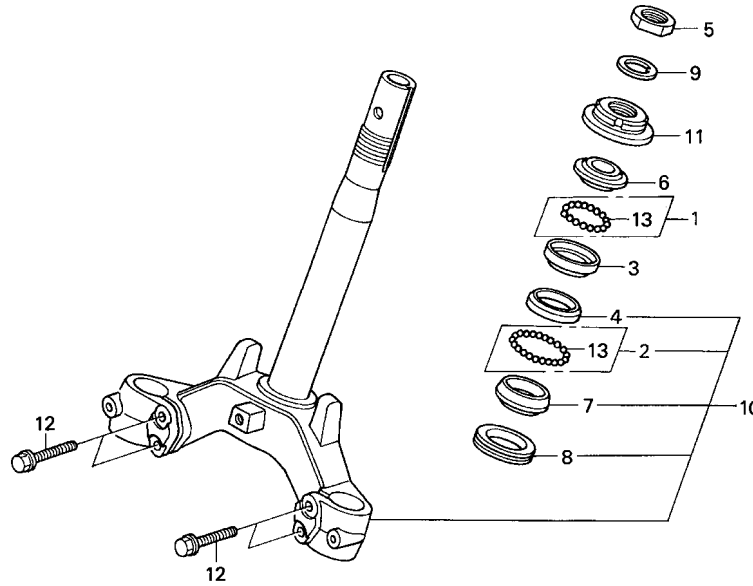
F.R.T.

No	Part Number	Description	Q'ty	Notes
21	90304-KGH-901	NUT, U, 10MM	1	
22	90501-KPH-880	COLLAR A, HANDLE SETTING	1	
23	90505-KPH-880	COLLAR B, HANDLE SETTING	1	
24	91509-GE2-760	SCREW, PAN, 5X11.5	1	
25	92101-08025-0A	BOLT, HEX., 8X25	3	
26	93891-04016-07	SCREW-WASHER, 4X16	6	
27	93903-34380	SCREW, TAPPING, 4X12	2	

3

F-5

STEERING STEM

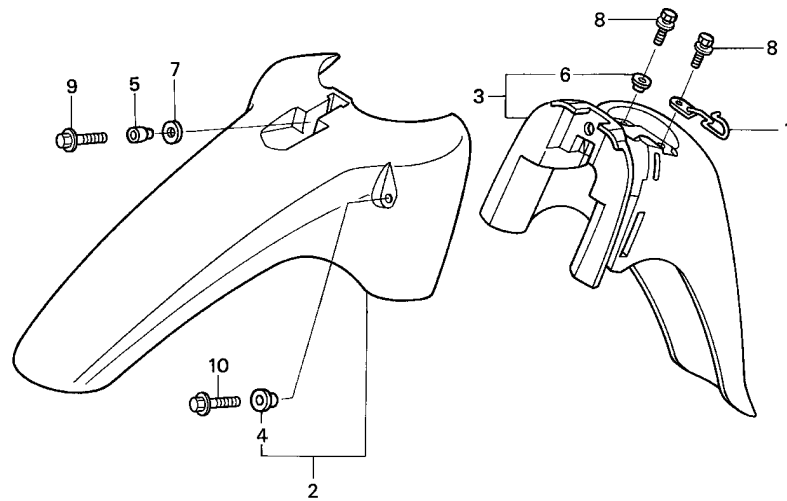


Service item	F.R.T.
RACE, STEERING TOP CONE	0,5
.THREAD COMP., STEERING HEAD TOP	
RACE, STEERING BOTTOM BALL	1,1
(WAKTU SAMA UNTUK DUA UNIT)	
.RACE, STEERING TOP BALL	
.STEM SUB ASSY., STEERING	
RACE, STEERING BOTTOM CONE	1,2

No	Part Number	Description	Q'ty	Notes
1	06530-GBG-B20	BALL SET, STEEL, #6X23	1	
2	06531-GBG-B20	BALL SET, STEEL, #6X29	1	
3	50301-GN5-901	RACE, STEERING TOP BALL	1	
4	50302-GN5-900	RACE, STEERING BOTTOM BALL	1	
5	50306-GN5-900	NUT, STEERING STEM LOCK	1	
6	53211-GN5-900	RACE, STEERING TOP CONE	1	
7	53212-GN5-900	RACE, STEERING BOTTOM CONE	1	
8	53214-GN5-900	DUST SEAL, STEERING HEAD	1	
9	53216-GN5-830	WASHER, STEERING STEM NUT	1	
10	53219-KPW-860	STEM SUB ASSY., STEERING	1	
11	53220-GN5-900	THREAD COMP., STEERING HEAD TOP	1	
12	95801-10045-00	BOLT, FLANGE, 10X45	4	
13	96211-06000	BALL, STEEL, # 6 (3/16)	52	

F-6

FRONT FENDER



FR.

KPWN-F0600

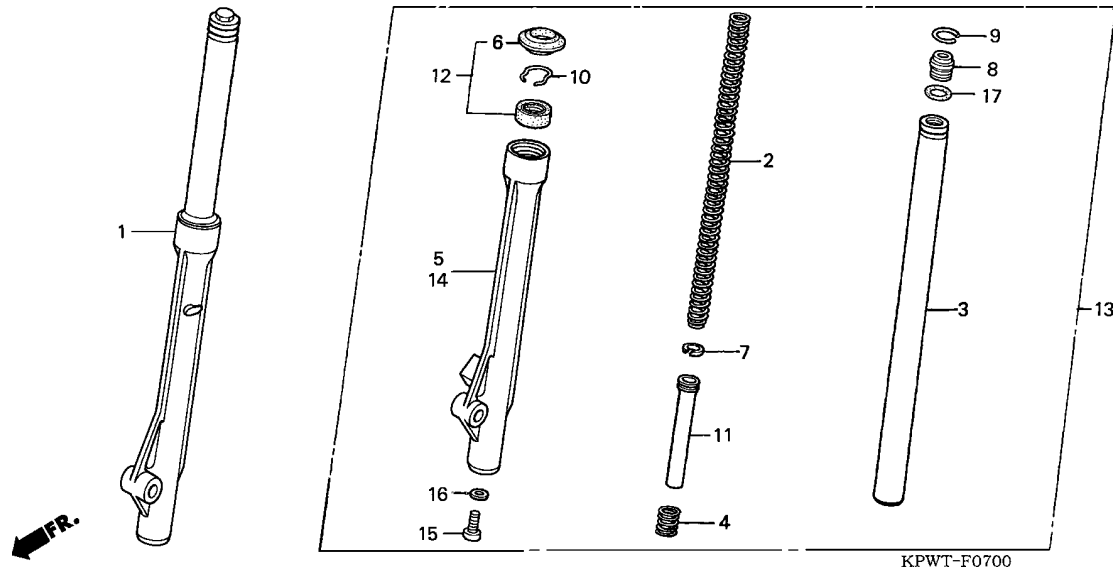
Service item	F.R.T.
FENDERA, FR.	0,3
(WAKTU SAMA UNTUK DUA UNIT)	
.FENDER B, FR.	

No	Part Number	Description	Q'ty	Notes
1	45465-KPW-900	GUIDE, FR. BRAKE CABLE	1	
2	61100-KPW-860FMB	FENDER A, FR. *NH1*..... BLACK	1	
	61100-KPW-860FMH	*NH131M*..... STARLIGHT SILVER METALLIC	1	
3	61200-KPW-900	FENDER B, FR.	1	
4	81312-KPW-860	COLLAR, FR. FENDER	2	
5	90502-GN5-640	COLLAR, FR. FENDER SETTING	1	
6	90503-KBP-900	COLLAR, MAIN SIDE COVER	1	
7	90523-GB6-920	WASHER, CENTER COVER	1	
8	93404-06016-00	BOLT-WASHER, 6X16	2	
9	95701-08030-00	BOLT, FLANGE, 8X30	1	
10	96001-06010-07	BOLT, FLANGE, 6X10	2	

3

F-7

FRONT FORK

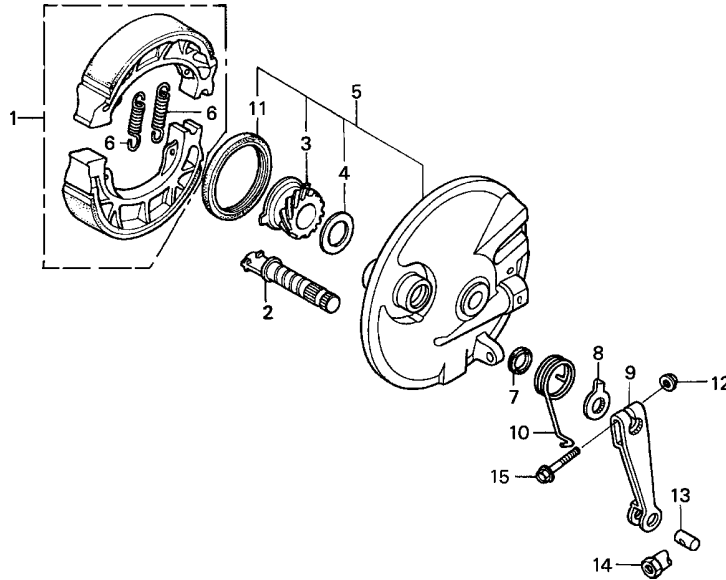


Service item	F.R.T.
FORK ASSY., L. FR.	0,5
(TAMBAHKAN 0,2 UNTUK MASING2)	
.FORK ASSY., R. FR.	
SPRING, FR. FORK	0,7
(TAMBAHKAN 0,3 UNTUK MASING2)	
PIPE COMP., FR. FORK	0,8
(TAMBAHKAN 0,5 UNTUK MASING2)	
.SEAL SET, FR. FORK	
(TAMBAHKAN 0,5 UNTUK MASING2)	
CASE, L. FR. BOTTOM	0,9
(TAMBAHKAN 0,6 UNTUK MASING2)	
.CASE, R. FR. BOTTOM	

No	Part Number	Description	Q'ty	Notes
1	51400-KPW-861	FORK ASSY., R. FR.	1	
2	51401-KPW-901	SPRING, FR. FORK	2	
3	51410-KPH-901	PIPE COMP., FR. FORK	2	
4	51412-GN5-901	SPRING, REBOUND	2	
5	51420-KPW-861	CASE, R. FR. BOTTOM	1	
6	51425-GN5-901	DUST SEAL	2	
7	51437-KGH-901	RING, PISTON	2	
8	51454-KEV-881	SEAT B, SPRING	2	
9	51456-KPH-901	RING, STOPPER	2	
10	51466-065-901	RING, OIL SEAL STOPPER	2	
11	51470-KPH-901	PIPE, SEAT	2	
12	51490-KGH-901	SEAL SET, FR. FORK	2	
13	51500-KPW-861	FORK ASSY., L. FR.	1	
14	51520-KPW-861	CASE, L. FR. BOTTOM	1	
15	90116-KV3-701	BOLT, SOCKET, 8MM	2	
16	90544-283-000	WASHER, SPECIAL, 8MM	2	
17	91356-GM0-003	O-RING	2	

F-8

FRONT BRAKE PANEL



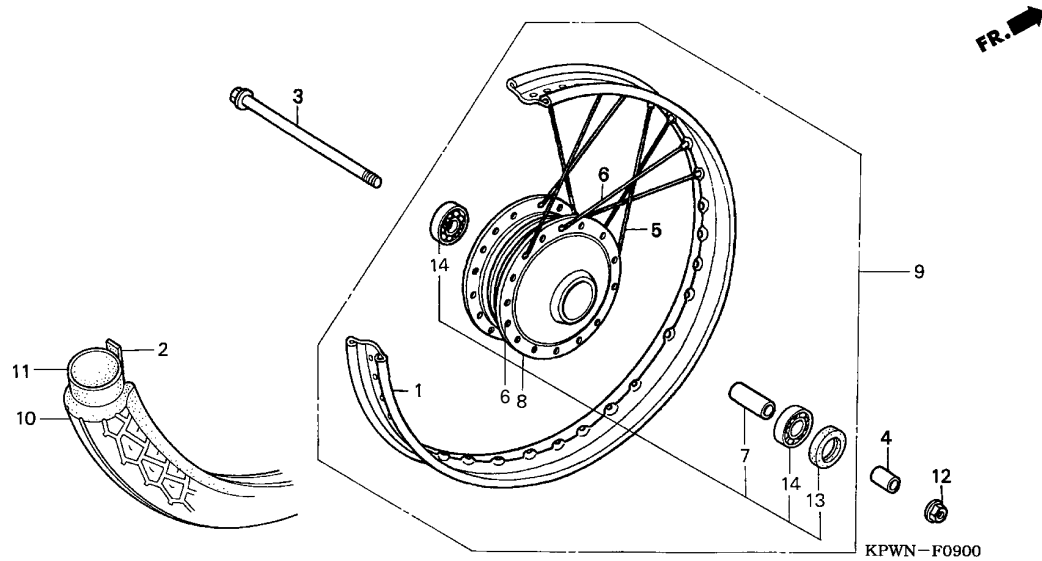
Service item	F.R.T.
ARM, FR. BRAKE (TERMASUK PART YANG BERHUBUNGAN)	0,1
GEAR, SPEEDOMETER	0.3
.SHOE SET, BRAKE	
PANEL SUB COMP., FR. BRAKE	0.4
(TERMASUK PART YANG BERHUBUNGAN)	

No	Part Number	Description	Q'ty	Notes
1	06430-KPH-900	SHOE SET, BRAKE	1	
2	43141-GC5-000	CAM, RR. BRAKE	1	
3	44806-KFM-901	GEAR, SPEEDOMETER	1	
4	44809-KFM-900	WASHER, SPEEDOMETER GEAR	1	
5	45010-KPW-900ZA	PANEL SUB COMP., FR. BRAKE	1	
		NH255M SHIMMER SILVER METALLIC	1	
6	45133-028-000	SPRING, BRAKE SHOE	2	
7	45134-250-000	DUST SEAL, BRAKE CAM	1	
8	45145-KFM-900	INDICATOR, FR. BRAKE	1	
9	45410-KFM-900	ARM, FR. BRAKE	1	
10	45435-121-010	SPRING, FR. BRAKE ARM RETURN	1	
11	91251-KFM-901	OIL SEAL, 42X54X7	1	
12	94050-06000	NUT, FLANGE, 6MM	1	
13	95015-32001	JOINT B, BRAKE ARM	1	
14	95015-42000	NUT B, BRAKE ROD ADJUSTING	1	
15	95701-06028-00	BOLT, FLANGE, 6X28	1	

3

F-9

FRONT WHEEL

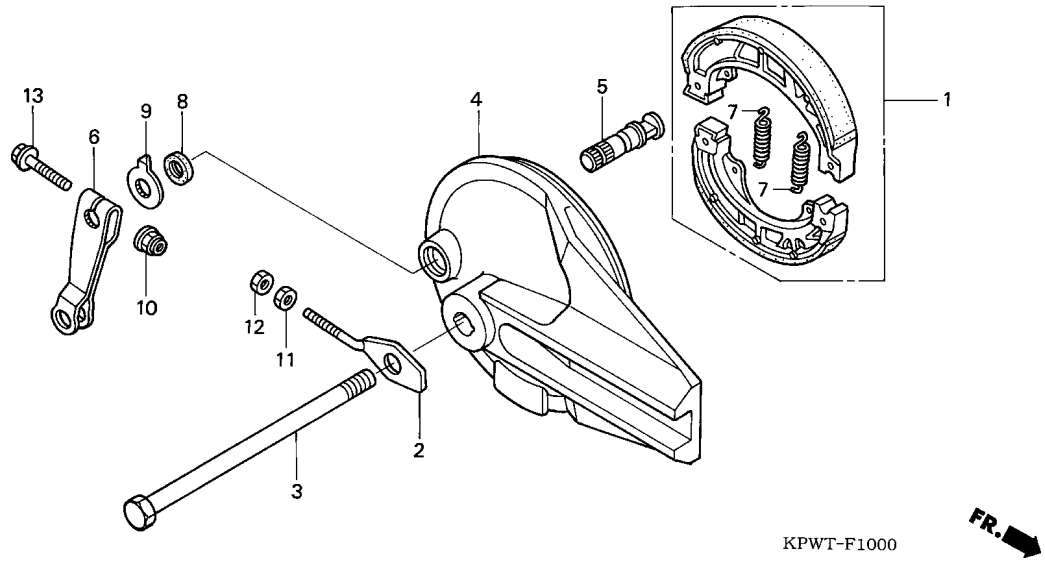


Service item	F.R.T.
AXLE, FR. WHEEL	0,2
BEARING, RADIAL BALL, 6201U	0,4
(TAMBAHKAN 0,1 UNTUK MASING2)	
.COLLAR, FR. AXLE DISTANCE	
TIRE, FR.	0,8
.TUBE, TIRE	
.WHEEL SUB ASSY., FR.	
RIM, WHEEL	2,2
HUB SUB ASSY., FR.	2,3

No	Part Number	Description	Q'ty	Notes
1	42701-086-911	RIM, WHEEL (1.20X17)	1	
2	44713-GBG-881	FLAP, TIRE	1	
3	44301-KPW-900	AXLE, FR. WHEEL	1	
4	44311-KPH-900	COLLAR, FR. WHEEL SIDE	1	
5	1112-159	SPOKE SET, FR.	18	
6	44601-KPH-900	HUB, FR., WHEEL	1	
7	44620-400-000	COLLAR, FR. AXLE DISTANCE	1	
8	44635-KPH-900	HUB SUB ASSY., FR.	1	
9	44650-KPH-900	WHEEL SUB ASSY., FR.	1	
10	44711-KPW-861	TIRE, FR. (SRI)(2.25-17 33L)	1	
11	44712-GBG-881	TUBE, TIRE	1	
12	90306-KGH-901	NUT, U, 12MM	1	
13	91251-KPH-901	DUST SEAL, 21X37X7	1	
14	96140-62010-10	BEARING, RADIAL BALL, 6201U	2	

F-10

REAR BRAKE PANEL



KPWT-F1000

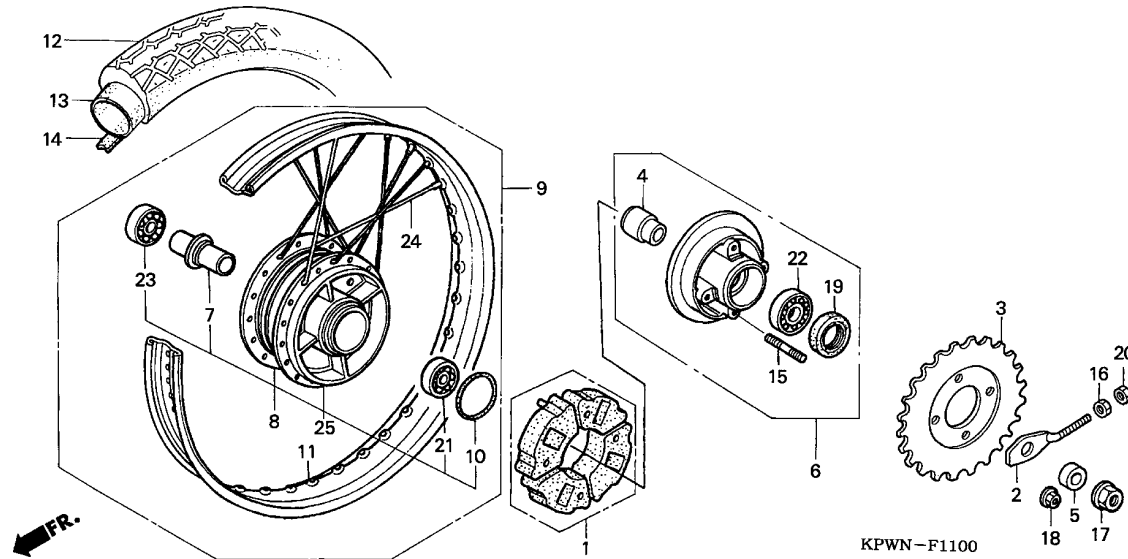
Service item	F.R.T.
ARM, RR. BRAKE	0,1
(TERMASUK PART YANG BERHUBUNGAN)	
AXLE, RR. WHEEL	0,3
SHOE SET, BRAKE	0,4
PANEL COMP., RR. BRAKE	0,5

3

No	Part Number	Description	Q'ty	Notes
1	06430-KPH-900	SHOE SET, BRAKE	1	
2	40543-KEV-900	ADJUSTER, R. CHAIN	1	
3	42301-KPG-900	AXLE, RR. WHEEL	1	
4	43100-KPH-900	PANEL COMP., RR. BRAKE	1	
5	43141-GC5-000	CAM, RR. BRAKE	1	
6	43410-KPH-900	ARM, RR. BRAKE	1	
7	45133-028-000	SPRING, BRAKE SHOE	2	
8	45134-250-000	DUST SEAL, BRAKE CAM	1	
9	45145-KFM-900	INDICATOR, FR. BRAKE	1	
10	90301-KGH-901	NUT, U, 6MM	1	
11	90302-KBP-900	NUT, SPECIAL, 6MM	1	
12	94001-06000-0S	NUT, HEX., 6MM	1	
13	95701-06035-00	BOLT, FLANGE, 6X35	1	

F-11

REAR WHEEL

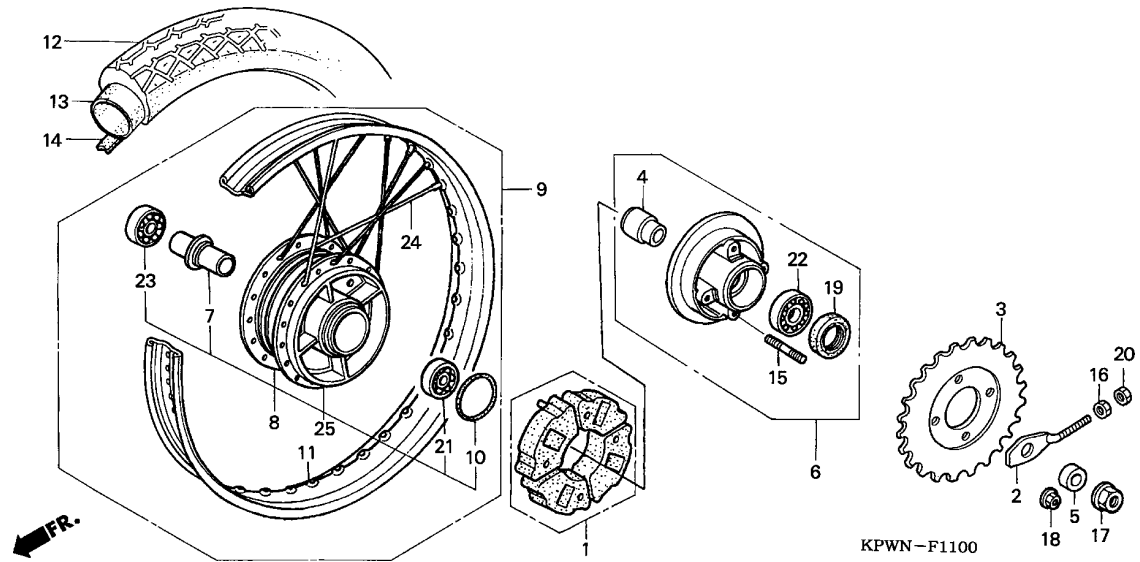


Service item	F.R.T.
DAMPER SET, WHEEL	0,3
FLANGE SUB ASSY., FINAL DRIVEN	0,4
.SPROCKET, FINAL DRIVEN	
BEARING, RADIAL BALL, 6203U	0,5
.BEARING, RADIAL BALL, 6301U (TAMBAHKAN 0,1 UNTUK MASING2)	
.BOLT, STUD, 8X19.5 (TAMBAHKAN 0,1 UNTUK MASING2)	
.COLLAR, RR. AXLE DISTANCE	
.SLEEVE, RR. WHEEL	
TIRE, RR.	0,9
.TUBE, TIRE	
.WHEEL SUB ASSY., RR.	
RIM, RR. WHEEL	0,3
HUB SUB ASSY., RR.	2,4

No	Part Number	Description	Q'ty	Notes
1	06410-KFL-850	DAMPER SET, WHEEL	1	
2	40543-KEV-900	ADJUSTER, R. CHAIN	1	
3	41201-KPH-901	SPROCKET, FINAL DRIVEN (34T)	1	
4	42303-KAN-T40	SLEEVE, RR. WHEEL	1	
5	42304-KFM-900	COLLAR, RR. WHEEL SIDE	1	
6	42615-KPH-880	FLANGE SUB ASSY., FINAL DRIVEN	1	
7	42620-KFL-850	COLLAR, RR. AXLE DISTANCE	1	
8	42635-KPH-900	HUB SUB ASSY., RR.	1	
9	42650-KPW-860	WHEEL SUB ASSY., RR.	1	
10	42653-001-004	O-RING, 40.5X3 (NIPPON DUST KEEP[ER])	1	
11	42701-KPW-860	RIM, RR. WHEEL (1.40x17)	1	
12	42711-KPW-861	TIRE, RR. (SRI)(2.50-17 43L)	1	
13	42712-GBG-881	TUBE, TIRE	1	
14	42713-GBG-881	FLAP, TIRE	1	
15	90128-KFM-900	BOLT, STUD, 8X19.5	4	
16	90302-KBP-900	NUT, SPECIAL, 6MM	1	
17	90306-KGH-901	NUT, U, 12MM	1	
18	90309-357-000	NUT, HEX., 8MM	4	
19	91251-KPH-881	DUST SEAL, 27X40X4.5	1	
20	94001-06000-0S	NUT, HEX., 6MM	1	

F-11

REAR WHEEL



Service item

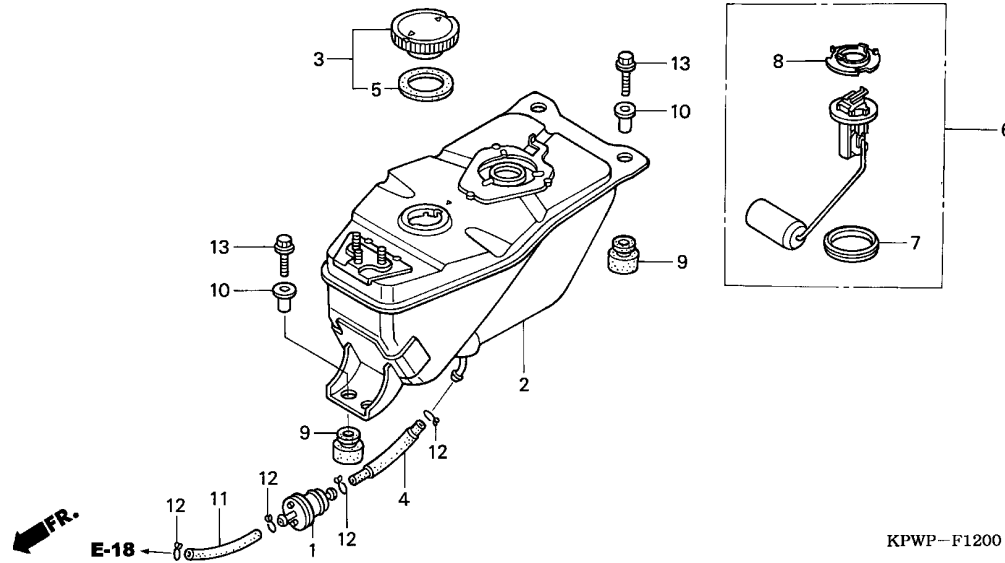
F.R.T.

No	Part Number	Description	Q'ty	Notes
21	96140-62010-10	BEARING, RADIAL BALL, 6201U	1	
22	96140-62030-10	BEARING, RADIAL BALL, 6203U	1	
23	96140-63010-10	BEARING, RADIAL BALL, 6301U	1	
24	1110-159NS	SPOKE SET, RR	18	
25	42601-KPH-900	HUB, RR, WHEEL	1	

3

F-12

FUEL TANK

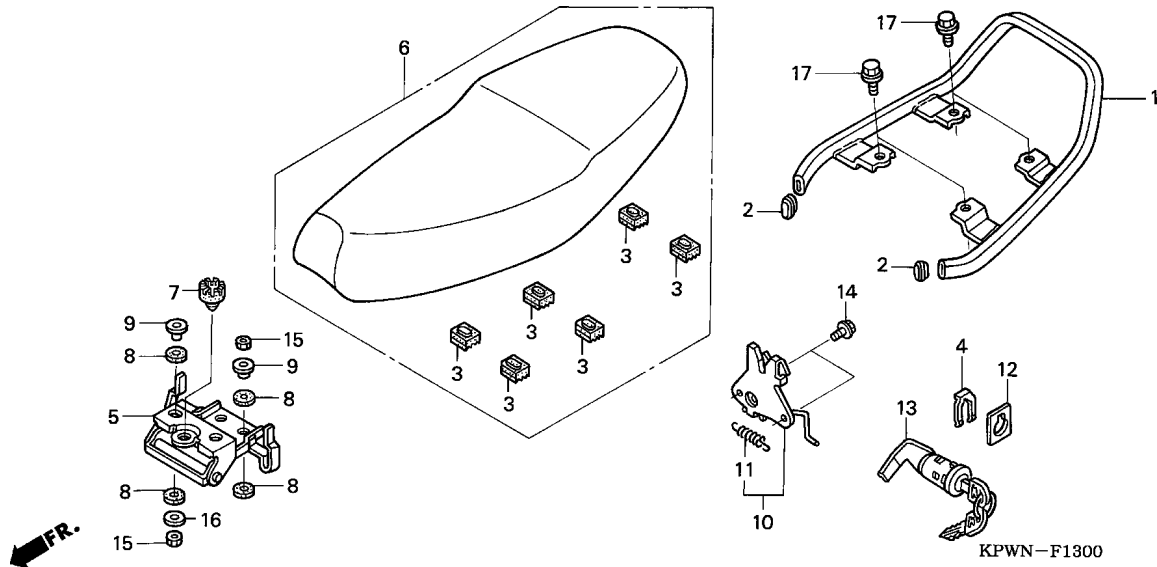


Service item	F.R.T.
FUEL UNIT SET	0,2
.STRAINER COMP., FUEL	
TANK COMP., FUEL	0,5

No	Part Number	Description	Q'ty	Notes
1	16910-KFM-902	STRAINER COMP., FUEL	1	
2	17510-KPW-900	TANK COMP., FUEL	1	
3	17620-KEV-900	CAP COMP., FUEL FILLER	1	
4	17630-KPW-900	TUBE, FUEL (5.3X180)	1	
5	17631-KEV-900	PACKING, FUEL FILLER CAP	1	
6	37010-KPW-900	FUEL UNIT SET	1	
7	37801-GA7-700	PACKING, BASE	1	
8	37802-KPW-900	RETAINER, FUEL UNIT	1	
9	81254-KPW-900	RUBBER, FUEL TANK MOUNTING	4	
10	90502-KPW-900	COLLAR, 6.2X20.5	4	
11	95001-55240-40	TUBE, FUEL, 5.3X240 (95001-55001-60M)	1	
12	95002-02100	CLIP, TUBE (B10)	4	
13	96001-06030-00	BOLT, FLANGE, 6X30	4	

F-13

SEAT



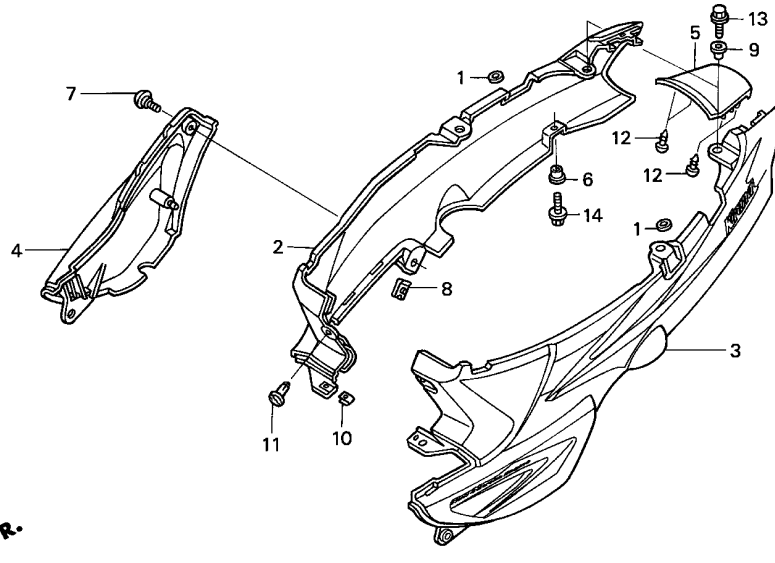
Service item	F.R.T.
HINGE COMP., SEAT	0,1
.PIPE, RR. GRIP	
.SEAT COMP., DOUBLE	
LOCK COMP., SEAT	0,5
LOCK ASSY., SEAT	0,6

3

No	Part Number	Description	Q'ty	Notes
1	50410-KPW-860	PIPE, RR. GRIP	1	
2	50415-GN5-730	CAP, RR. GRIP PIPE END	2	
3	50524-KEV-900	RUBBER, MAIN STAND STOPPER	6	
4	75581-GN8-920	SPRING, LOCK KEY SETTING	1	
5	77110-KPW-900	HINGE COMP., SEAT	1	
6	77200-KPW-860	SEAT COMP., DOUBLE	1	
7	77206-KEV-940	RUBBER, SEAT CUSHION	1	
8	77207-GN5-910	RUBBER B, SEAT MOUNTING	10	
9	77208-KPW-900	COLLAR, SEAT MOUNTING	5	
10	77230-KPW-900	LOCK COMP., SEAT	1	
11	77234-GN2-000	SPRING, SEAT LOCK	1	
12	77236-GW0-000	WASHER, SEAT LOCK	1	
13	77240-KPW-901	LOCK ASSY., SEAT	1	
14	93404-06012-00	BOLT-WASHER, 6X12	2	
15	94001-06000-0S	NUT, HEX., 6MM	5	
16	94103-06000	WASHER, PLAIN, 6MM	2	
17	95701-08016-00	BOLT, FLANGE, 8X16	4	

F-14

BODY COVER

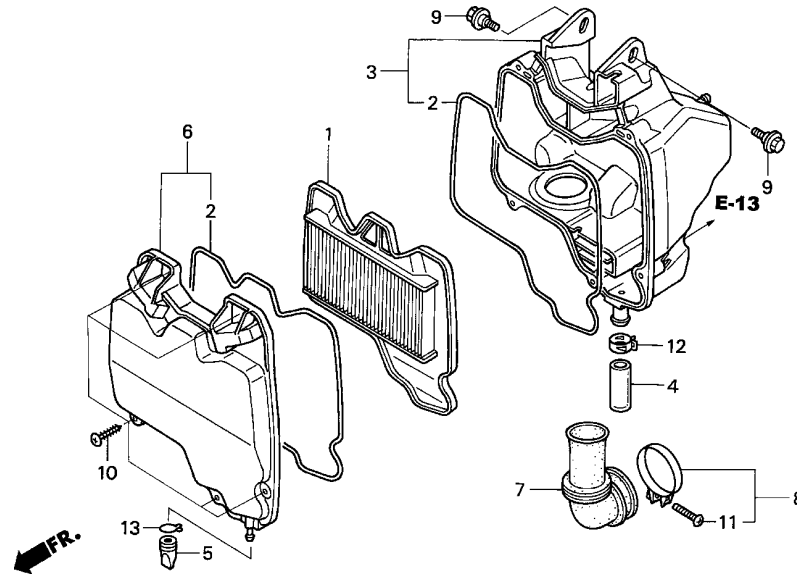


Service item	F.R.T.
COVER SET, R. SIDE	0,2
COVER SET, L. BODY	0,4
(TAMBAHKAN 0,1 UNTUK MASING2)	
.COVER SET, R. BODY	
.COVER, TAIL	

No	Part Number	Description	Q'ty	Notes
1	64334-KPW-900	COLLAR, BODY COVER	2	
2	64330-KPW-860FMB	COVER, R. BODY (BLACK)	1	
	64330-KPW-860FMH	COVER, R. BODY (SILVER)	1	
3	64340-KPW-860FMB	COVER, L. BODY (BLACK)	1	
	64340-KPW-860FMH	COVER, L. BODY (SILVER)	1	
4	83500-KPW-900FMB	COVER, R. SIDE (BLACK)	1	
	83500-KPW-900FMH	COVER, R. SIDE (SILVER)	1	
5	83510-KPW-900FMB	COVER, TAIL (BLACK)	1	
	83510-KPW-900FMH	COVER, TAIL (SILVER)	1	
6	84706-KN9-830	COLLAR, TAILLIGHT MOUNTING	2	
7	90108-KPW-860	BOLT, COWL SETTING	1	
8	90344-KEV-900	NUT C, CLIP, 6MM	1	
9	90556-KW6-900	WASHER, FENDER SETTING	2	
10	90677-KAN-T00	NUT, CLIP, 5MM	1	
11	90683-GAZ-003	CLIP, TRIM	1	
12	93903-24310	SCREW, TAPPING, 4X12	4	
13	95701-06020-00	BOLT, FLANGE, 6X20	2	
14	95701-06030-00	BOLT, FLANGE, 6X30	2	

F-15

AIR CLEANER



KPWN-F1500

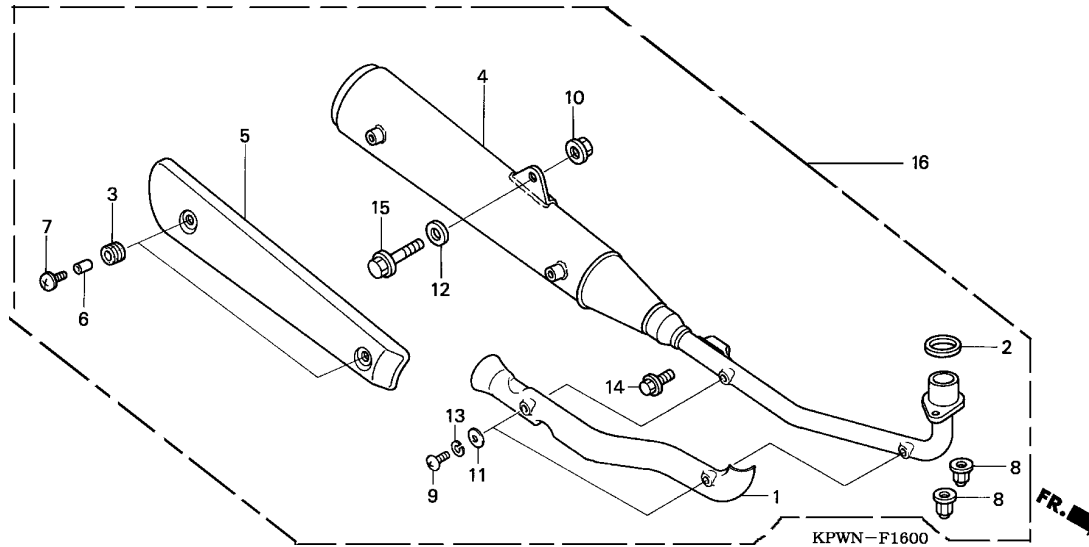
Service item	F.R.T.
COVER SUB ASSY., AIR CLEANER	0,2
ELEMENT COMP., AIR CLEANER	0,3
.TUBE, AIR CLEANER CONNECTING	
CASE SUB ASSY., AIR CLEANER	0,4

3

No	Part Number	Description	Q'ty	Notes
1	17210-KPH-900	ELEMENT COMP., AIR CLEANER	1	
2	17213-KPH-900	SEAL, AIR CLEANER COVER	2	
3	17225-KPH-880	CASE SUB ASSY., AIR CLEANER	1	
4	17227-HC0-000	TUBE, VINYL, 11X15X45	1	
5	17234-KCW-870	TUBE, AIR CLEANER DRAIN	1	
6	17235-KPH-900	COVER SUB ASSY., AIR CLEANER	1	
7	17253-KPH-900	TUBE, AIR CLEANER CONNECTING	1	
8	17255-KPH-880	BAND A, CONNECTING TUBE	1	
9	90116-ME9-000	BOLT, FLANGE, 6MM	2	
10	93903-25510	SCREW, TAPPING, 5X25	5	
11	93500-05028-0A	SCREW, PAN, 5X28	1	
12	95002-41300-08	CLAMP, TUBE (D13)	1	
13	95002-80000	CLIP, TUBE (C12)	1	

F-16

EXHAUST MUFFLER

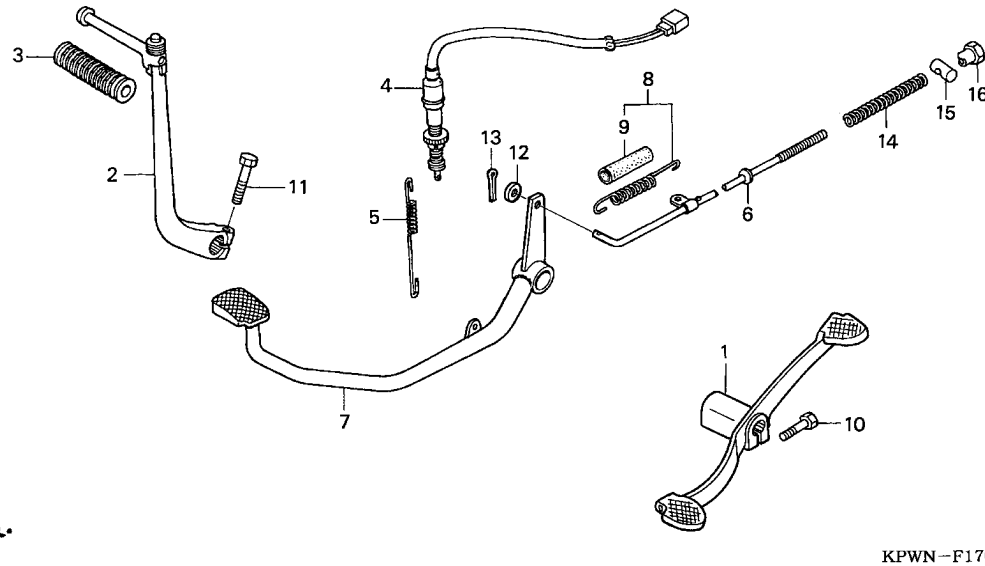


Service item	F.R.T.
COVER, EX. PIPE	0,1
.COVER, MUFFLER	
MUFFLER COMP., EX.	0,3

No	Part Number	Description	Q'ty	Notes
1	18240-KPW-860	COVER, EX. PIPE	1	
2	18291-HB2-900	GASKET, EX. PIPE	1	
3	18345-MBT-610	RUBBER, PROTECTOR MOUNTING	2	
4	18350-KPW-860	MUFFLER COMP., EX.	1	
5	18355-KPW-900	COVER, MUFFLER	1	
6	33619-459-840	COLLAR, WINKER STAY	2	
7	90108-KPH-880	BOLT, BODY COVER SETTING	2	
8	90304-KPH-900	NUT, HEX. CAP, 8MM	2	
9	93500-05008-4J	SCREW, PAN, 5X8	2	
10	94050-08000	NUT, FLANGE, 8MM	1	
11	94101-05000	WASHER, PLAIN, 5MM	2	
12	94103-08000	WASHER, PLAIN, 8MM	1	
13	94111-05000	WASHER, SPRING, 5MM	2	
14	95701-08012-00	BOLT, FLANGE, 8X12	1	
15	95701-08045-00	BOLT, FLANGE, 8X45	1	
16	18300-KPW-860	MUFFLER, ASSY., EXH.	1	

F-17

PEDAL/KICK STARTER ARM



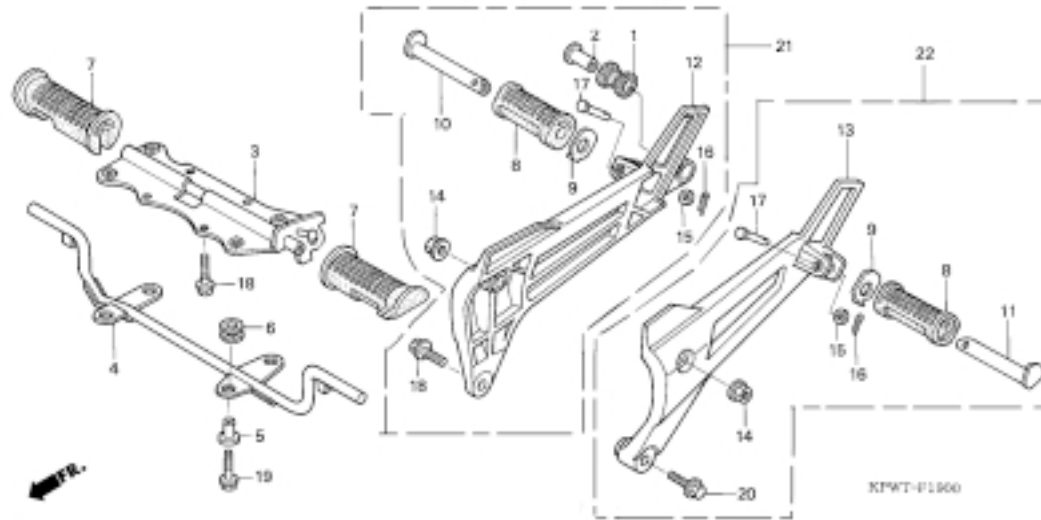
Service item	F.R.T.
ARM ASSY., KICK STARTER	0,1
.PEDAL, GEAR CHANGE	
SWITCH ASSY., RR. STOP	0,3
ROD, RR. BRAKE	0,4
PEDAL COMP., BRAKE	0,5

3

No	Part Number	Description	Q'ty	Notes
1	24701-KPW-900	PEDAL, GEAR CHANGE	1	
2	28300-KPW-860	ARM ASSY., KICK STARTER	1	
3	28311-342-000	RUBBER, KICK STARTER	1	
4	35350-KPW-900	SWITCH ASSY., RR. STOP	1	
5	35357-KCC-900	SPRING, STOP SWITCH	1	
6	43451-KPW-900	ROD, RR. BRAKE	1	
7	46500-KPW-900	PEDAL COMP., BRAKE	1	
8	46513-KBP-900	SPRING ASSY., RR. BRAKE RETURN	1	
9	46514-MK4-000	TUBE, BRAKE PEDAL SPRING	1	
10	92101-06020-0A	BOLT, HEX., 6X20	1	
11	92101-08025-0A	BOLT, HEX., 8X25	1	
12	94101-05000	WASHER, PLAIN, 5MM	1	
13	94201-20150	PIN, SPLIT, 2.0X15	1	
14	95014-73100	SPRING A, BRAKE ROD	1	
15	95015-32001	JOINT B, BRAKE ARM	1	
16	95015-42000	NUT B, BRAKE ROD ADJUSTING	1	

F-18

STEP

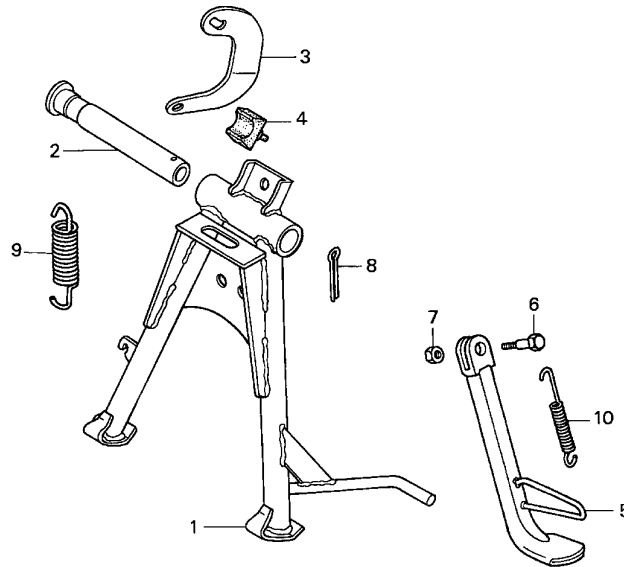


Service item	F.R.T.
BAR, L. PILLION STEP	0,1
(TERMASUK PART YANG BERHUBUNGAN)	
.BAR, R. PILLION STEP	
(TERMASUK PART YANG BERHUBUNGAN)	
.RUBBER, STEP	
(WAKTU SAMA UNTUK DUA UNIT)	
HOLDER, L. PILLION STEP	0,2
.HOLDER, R. PILLION STEP	
BAR COMP., STEP	0,3

No	Part Number	Description	Q'ty	Notes
1	18421-KBA-900	RUBBER, MUFFLER MOUNTING	1	
2	18422-KPH-900	COLLAR, MUFFLER MOUNTING	1	
3	50605-KPH-880	BRACKET, MAIN STEP	1	
4	50610-KPW-900	BAR COMP., STEP	1	
5	50612-KPH-900	COLLAR, MAIN STEP MOUNTING	4	
6	50613-KFL-850	RUBBER, MAIN STEP MOUNTING	4	
7	50661-GN8-920	RUBBER, STEP	2	
8	50710-GN5-830	RUBBER, PILLION STEP	2	
9	50711-GN5-730	PLATE, PILLION STEP	2	
10	50713-GN5-730	BAR, R. PILLION STEP	1	
11	50714-GN5-830	BAR, L. PILLION STEP	1	
12	50715-KPW-900	HOLDER, R. PILLION STEP	1	
13	50716-KPW-900	HOLDER, L. PILLION STEP	1	
14	94050-10000	NUT, FLANGE, 10MM	2	
15	94101-06000	WASHER, PLAIN, 6MM	2	
16	94201-16150	PIN, SPLIT, 1.6X15	2	
17	95015-83000	PIN C, PILLION STEP	2	
18	95701-08020-00	BOLT, FLANGE, 8X20	5	
19	95701-08025-00	BOLT, FLANGE, 8X25	4	
20	95701-08035-00	BOLT, FLANGE, 8X35	1	
21	50700-KPW-900	STEP ASSY., R. PILLION	1	
22	50705-KPW-900	STEP ASSY., L. PILLION	1	

F-19

STAND



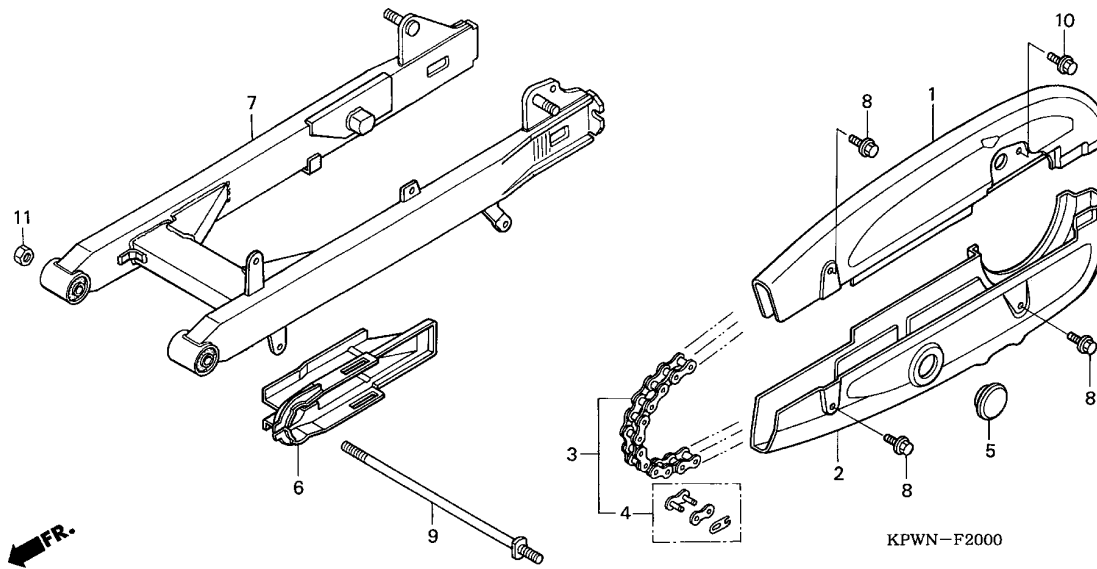
Service item	F.R.T.
SPRINGA, SIDE STAND	0,1
BAR COMP., SIDE STAND	0,2
.SPRINGA, MAIN STAND	
STAND COMP., MAIN	0,5

3

No	Part Number	Description	Q'ty	Notes
1	50500-KPW-860	STAND COMP., MAIN	1	
2	50512-KPH-900	SHAFT, RR. BRAKE PIVOT	1	
3	50523-KPH-900	HOOK, MAIN STAND SPRING	1	
4	50524-397-000	RUBBER, STAND STOPPER	1	
5	50530-KPH-900	BAR COMP., SIDE STAND	1	
6	90108-223-000	SCREW, SIDE STAND PIVOT	1	
7	94002-10000-0S	NUT, HEX., 10MM	1	
8	94201-30250	PIN, SPLIT, 3.0X25	1	
9	95014-71102	SPRINGA, MAIN STAND	1	
10	95014-72102	SPRINGA, SIDE STAND	1	

F-20

SWINGARM/CHAIN CASE

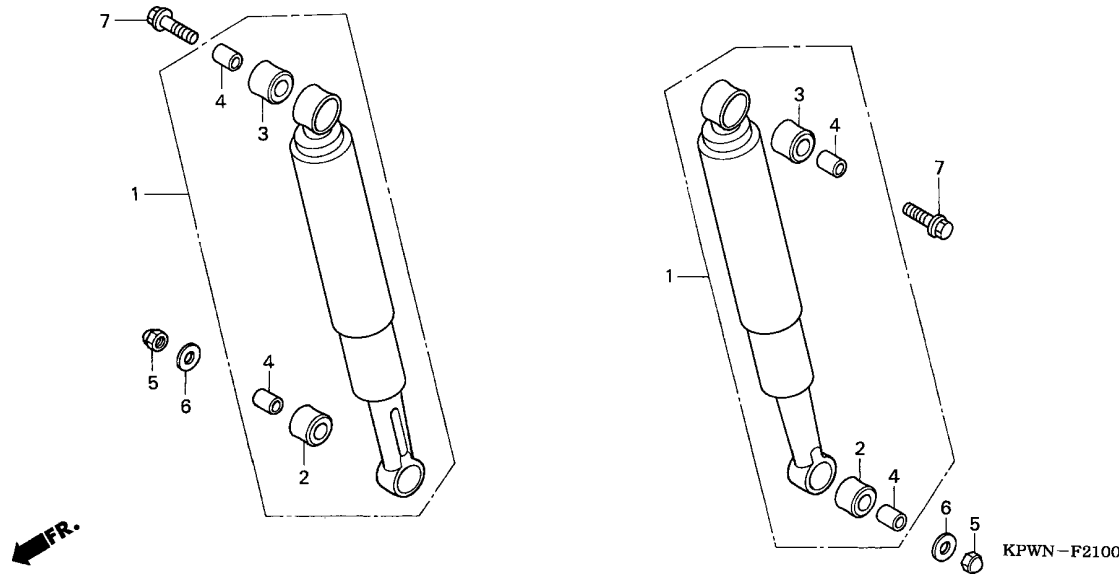


Service item	F.R.T.
CASE, DRIVE CHAIN UNDER HALF	0.1
(WAKTU SAMA UNTUK DUA UNIT)	
.CASE, DRIVE CHAIN UPPER HALF	
CHAIN, DRIVE	0.2
PACKING, DRIVE CHAIN CASE	0.5
SWINGARM SUB ASSY., RR.	0.7

No	Part Number	Description	Q'ty	Notes
1	40510-KPW-900ZA	CASE, DRIVE CHAIN UPPER HALF *NH255M*..... SHIMMER SILVER METALLIC	1	
2	40520-KPW-900ZA	CASE, DRIVE CHAIN UNDER HALF *NH255M*..... SHIMMER SILVER METALLIC	1	
3	40530-KPW-861	CHAIN, DRIVE (DID420DX-98RB)	1	
4	40531-KPH-901	JOINT, DRIVE CHAIN	1	
5	40545-001-000	CAP, CHAIN CASE PEEP HOLE	1	
6	40591-KPW-900	PACKING, DRIVE CHAIN CASE	1	
7	52200-KPW-900ZA	SWINGARM SUB ASSY., RR. *NH255M*.....SHIMMER SILVER METALLIC	1	
8	90118-383-000	BOLT-WASHER, 6X6	3	
9	90121-KPW-900	BOLT, SWINGARM PIVOT	1	
10	93401-06010-00	BOLT-WASHER, 6X10	1	
11	94031-10000	NUT, HEX., 10MM	1	

F-21

REAR CUSHION



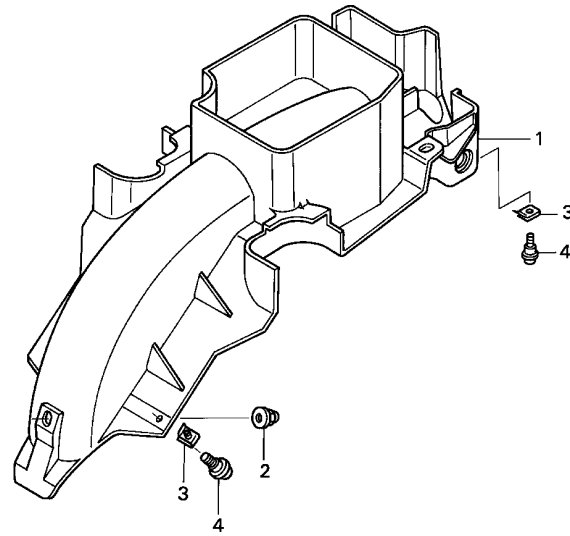
Service item	F.R.T.
CUSHIONASSY., RR.	0,4
(TAMBAHKAN 0,1 UNTUK MASING2)	

3

No	Part Number	Description	Q'ty	Notes
1	52400-KPW-861	CUSHIONASSY., RR.	2	
2	52485-GA7-003	BUSH, RUBBER	2	
3	52485-088-901	BUSH, RR. CUSHION RUBBER	2	
4	52486-GA7-003	COLLAR, RUBBER BUSH	4	
5	94021-10000-0S	NUT, CAP, 10MM	2	
6	94101-10000	WASHER, PLAIN, 10MM	2	
7	95801-10035-00	BOLT, FLANGE, 10X35	2	

F-22

REAR FENDER



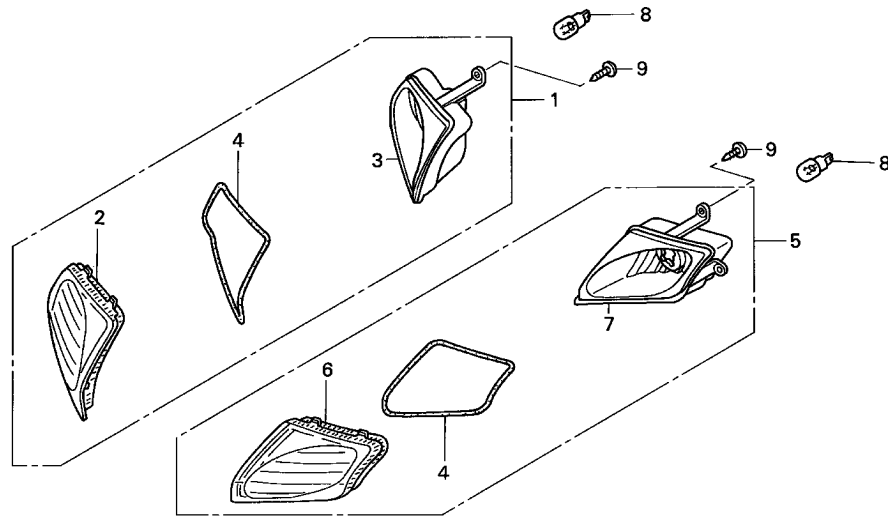
Service item	F.R.T.
FENDER, RR. INNER	0,8

No	Part Number	Description	Q'ty	Notes
----	-------------	-------------	------	-------

1	80101-KPW-860	FENDER, RR. INNER	1	
2	90201-415-000	NUT, CAP, 6MM	1	
3	90677-KAN-T00	NUT, CLIP, 5MM	2	
4	91509-GE2-760	SCREW, PAN, 5X11.5	2	

F-23

FRONT WINKER



KPWN-F2300

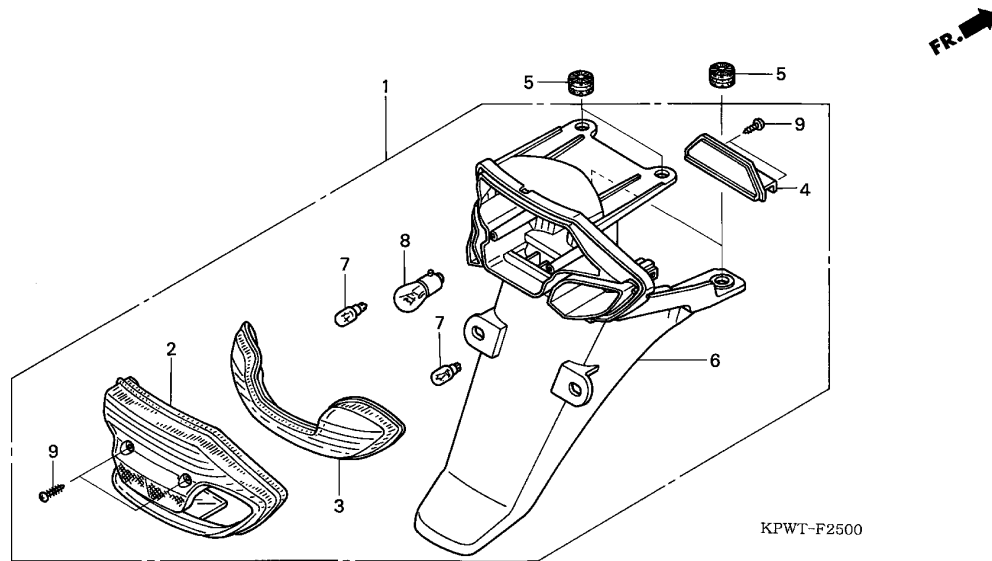
Service item	F.R.T.
BULB, WINKER (WAKTU SAMA UNTUK DUA UNIT)	0,2
WINKER ASSY., L. FR. (WAKTU SAMA UNTUK DUA UNIT)	0,3

3

No	Part Number	Description	Q'ty	Notes
1	33400-KPW-861	WINKER UNIT, R. FR.	1	
2	33402-KPW-861	LENS, R. FR. WINKER	1	
3	33403-KPW-861	BASE, R. WINKER	1	
4	33404-KPW-861	SEAL, GASKET	2	
5	33450-KPW-861	WINKER UNIT, L. FR.	1	
6	33452-KPW-861	LENS, L. FR. WINKER	1	
7	33453-KPW-861	BASE, L. WINKER	1	
8	34905-KAN-W01	BULB, WINKER (12V 10W)	2	
9	93903-34380	SCREW, TAPPING, 4X12	6	

F-24

REAR COMBINATION LIGHT

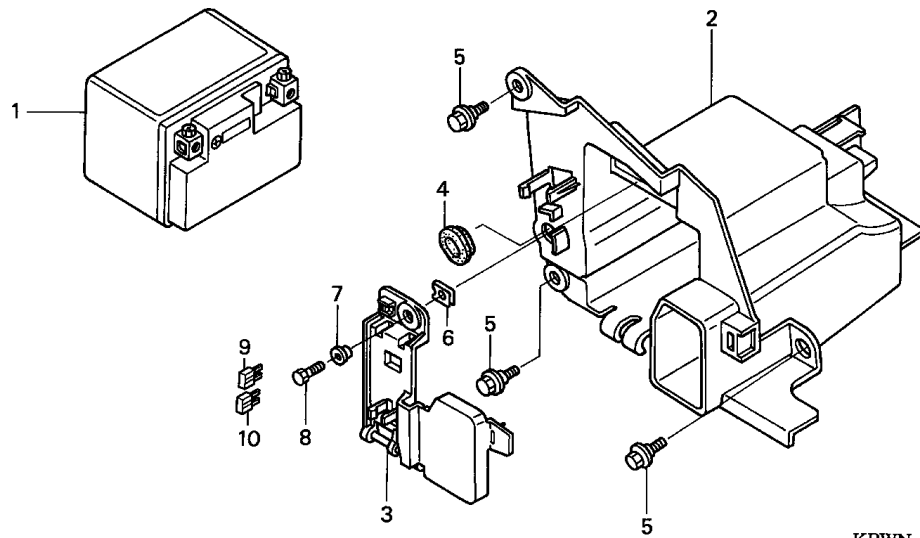


Service item	F.R.T.
BULB, WINKER	0.1
(WAKTU SAMA UNTUK DUA UNIT ATAU LEBIH)	
LIGHT ASSY., RR. COMBINATION	0.6

No	Part Number	Description	Q'ty	Notes
1	33700-KPW-861	LIGHT ASSY., RR. COMBINATION	1	
2	33701-KPW-901	LENS, TAILLIGHT	1	
3	33703-KPW-901	LENS, RR. WINKER	1	
4	33705-KPW-901	CAP	1	
5	33706-KW7-900	RUBBER B, TAILLIGHT MOUNTING	4	
6	33710-KPW-901	BASE COMP.	1	
7	34905-KAN-W01	BULB, WINKER (12V 10W)	2	
8	34906-GB6-921	BULB, TAILLIGHT (12V 18/5W)	1	
9	93911-24480	SCREW, TAPPING, 4X16(PO)	4	

F-25

BATTERY / LUGGAGE BOX



KPWN-F2500



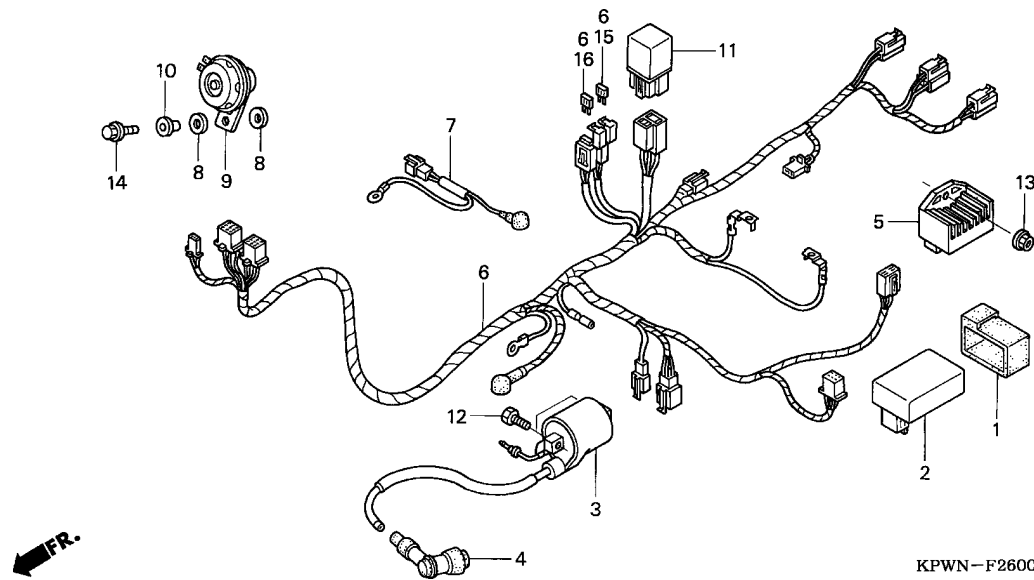
Service item	F.R.T.
BATTERY	0,2
CASE, BATTERY	0,5

3

No	Part Number	Description	Q'ty	Notes
1	31500-KPH-911Y	BATTERY (YTZ5S)	1	
2	50380-KPW-900	CASE, BATTERY	1	
3	50382-KPW-860	HINGE, BATTERY	1	
4	83551-GE2-000	GROMMET, AIR CLEANER CASE	1	
5	90111-162-000	BOLT, FLANGE, 6MM	3	
6	90344-KEV-900	NUT C, CLIP, 6MM	1	
7	90504-KBP-900	COLLAR, MIDDLE COVER	1	
8	92301-06014-0A	BOLT, RECESSED, 6X14	1	
9	98200-31000	FUSE, BLADE (10A)	1	
10	98200-31500	FUSE, BLADE (15A)	1	

F-26

WIRE HARNESS



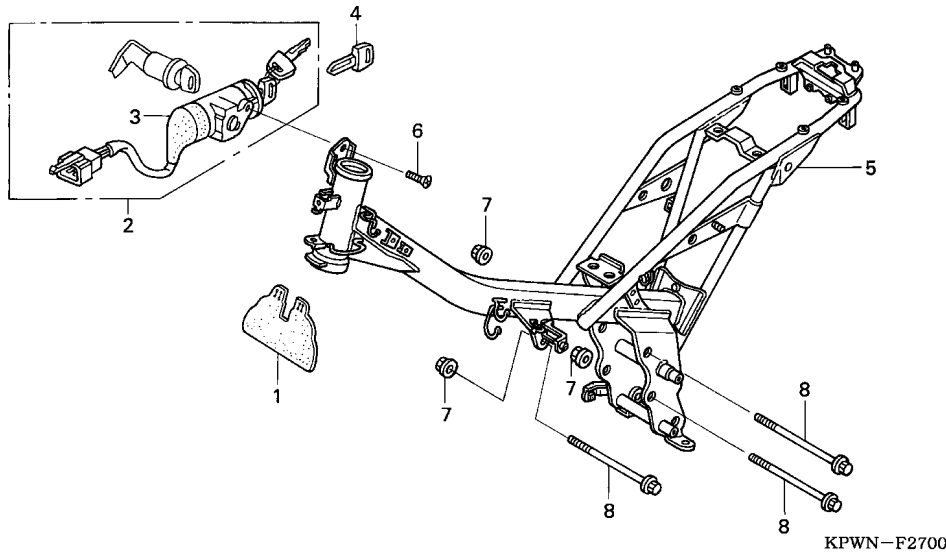
KPWN-F2600

Service item	F.R.T.
HORN COMP.	0.1
CABLE, STARTING MOTOR	0.3
.RELAY COMP., STARTER	
COILASSY., IGNITION	0.4
C.D.I. UNIT	0.6
.RECTIFIER ASSY., REGULATOR	
HARNESS, WIRE	1.2

No	Part Number	Description	Q'ty	Notes
1	30401-KPW-900	CUSHION, C.D.I. UNIT	1	
2	30410-KPW-861	C.D.I. UNIT	1	
3	30500-KPW-901	COILASSY., IGNITION	1	
4	30700-KPH-881	CAPASSY., NOISE SUPPRESSOR	1	
5	31600-KPW-861	RECTIFIER COMP., REGULATOR	1	
6	32100-KPW-860	HARNESS, WIRE	1	
7	32410-KPH-900	CABLE, STARTING MOTOR	1	
8	33714-KL3-620	RUBBER, TAILLIGHT BRACKET	2	
9	38110-KPH-881	HORN COMP. (HIGH)	1	
10	38117-KFE-701	COLLAR, HORN SETTING	1	
11	38501-KPH-901	RELAY COMP., STARTER	1	
12	93301-05016-0A	BOLT, HEX., 5X16	2	
13	94050-06000	NUT, FLANGE, 6MM	1	
14	95701-06020-00	BOLT, FLANGE, 6X20	1	
15	98200-31000	FUSE, BLADE (10A)	1	
16	98200-31500	FUSE, BLADE (15A)	1	

F-27

FRAME BODY



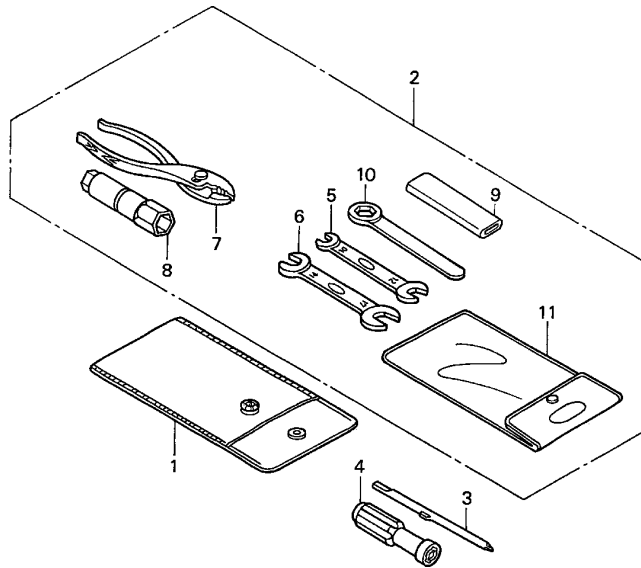
Service item	F.R.T.
SWITCH ASSY., COMBINATION & LOCK ...	0.6
KEY SET	1
BODY COMP., FRAME	*5.0

3

No	Part Number	Description	Q'ty	Notes
1	17270-KPH-900	RUBBER, AIR CLEANER WATER GUARD	1	
2	35010-KPW-860	KEY SET	1	
3	35100-KPW-861	SWITCH ASSY., COMBINATION & LOCK	1	
4	35121-KV8-680	KEY, BLANK (TYPE 1) (KEY NO. AXX/BXX)	-1	
5	35122-KV8-680	KEY, BLANK (TYPE 2) (KEY NO. CXX/DXX)	-1	
6	50100-KPW-861	BODY COMP., FRAME	1	
7	90164-028-000	SCREW, U-LOCK FLAT, 6X12	2	
8	94050-10080	NUT, FLANGE, 10MM	3	
9	95801-10110-08	BOLT, FLANGE, 10X110	3	

F-28

TOOLS



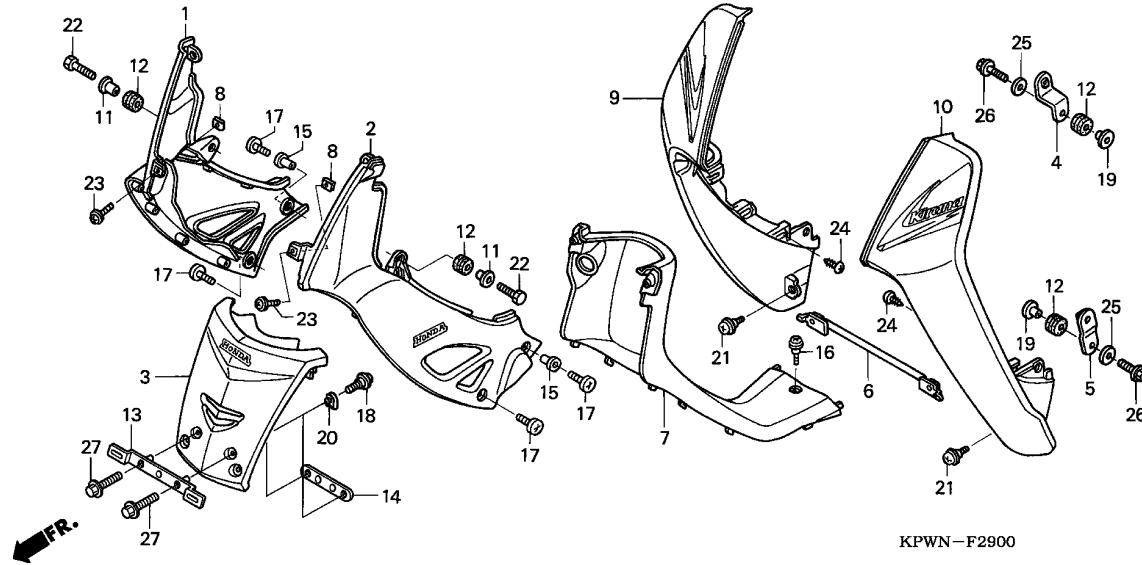
KPWT-F2900

Service item	F.R.T.
NOT INFORMATION	-

No	Part Number	Description	Q'ty	Notes
1	83642-171-000	BAG, OWNERS MANUAL	1	
2	89010-KPW-900	TOOL SET	1	
3	89102-538-000	SHAFT, SCREW DRIVER	1	
4	89103-538-000	GRIP	1	
5	89211-KGH-900	SPANNER, 10X12	1	
6	89212-KGH-900	SPANNER, 14X17	1	
7	89213-KGH-900	PLIERS, 135	1	
8	89216-GB6-770	WRENCH, SPARK PLUG	1	
9	89217-KGH-900	HANDLE, EYE WRENCH	1	
10	89218-KGH-900	WRENCH, EYE, 19	1	
11	89219-KGH-900	BAG, TOOL, 160MM	1	

F-29

MAIN PIPE COVER/LEG SHIELD



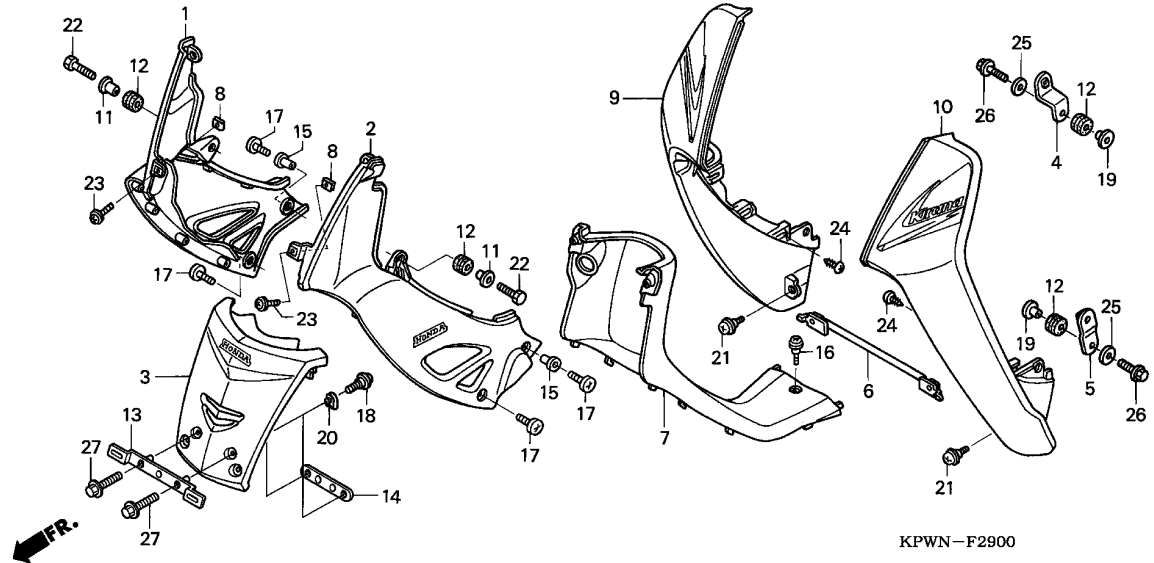
Service item	F.R.T.
COVER SET, FR. TOP	0,1
.COVER, MAIN PIPE UPPER	
COVER SET, L. MAIN PIPE SIDE	0,3
(TAMBAHKAN 0,2 UNTUK MASING2)	
.COVER SET, R. MAIN PIPE SIDE	
.LEGSHIELD SET, L.	
(TAMBAHKAN 0,2 UNTUK MASING2)	
.LEGSHIELD SET, R.	

3

No	Part Number	Description	Q'ty	Notes
1	64400-KPW-900FMB	COVER, R. MAIN PIPE SIDE (BLACK)	1	
	64400-KPW-900FMH	COVER, R. MAIN PIPE SIDE (SILVER)	1	
2	64450-KPW-860FMB	COVER, L. MAIN PIPE SIDE (BLACK)	1	
	64450-KPW-860FMH	COVER, L. MAIN PIPE SIDE (SILVER)	1	
3	64500-KPW-860FMB	COVER, FR. TOP (BLACK)	1	
	64500-KPW-860FMH	COVER, FR. TOP (SILVER)	1	
4	64311-KPH-900	STAY, R. UNDER COWL	1	
5	64312-KPH-900	STAY, L. UNDER COWL	1	
6	64315-KPW-860	STAY, LEG SHIELD	1	
7	64320-KPW-860	COVER, MAIN PIPE UPPER	1	
8	64521-MN5-000	NUT, CLIP, 4MM	2	
9	64430-KPW-900FMB	SHIELD, R. LEG (BLACK)	1	
	64430-KPW-900FMH	SHIELD, R. LEG (SILVER)	1	
10	64440-KPW-900FMB	SHIELD, L. LEG (BLACK)	1	
	64440-KPW-900FMH	SHIELD, L. LEG (BSILVER)	1	
11	77208-KPW-900	COLLAR, SEAT MOUNTING	2	
12	77228-GBG-850	RUBBER, SEAT LOCK	4	
13	81110-KPW-860	BRACKET, FR. NUMBER PLATE	1	
14	81120-KPW-860	PLATE, NUMBER BRACKET	1	
15	81312-KPW-860	COLLAR, FR. FENDER	2	

F-29

MAIN PIPE COVER/LEG SHIELD



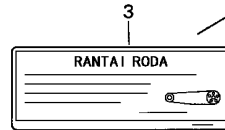
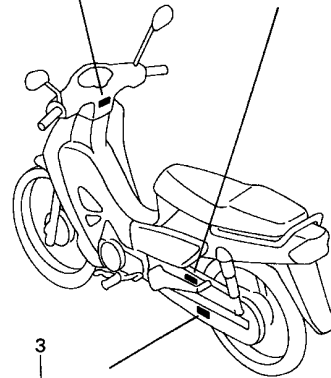
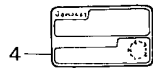
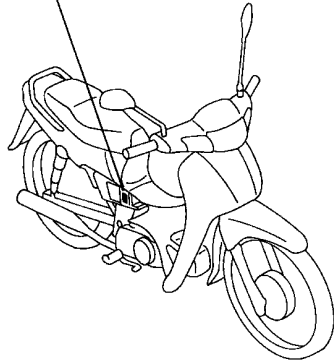
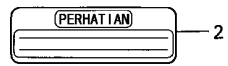
Service item

F.R.T.

No	Part Number	Description	Q'ty	Notes
16	90104-KPH-900	SCREW, SPECIAL, 5MM	1	
17	90107-KPW-860	SCREW, COWL SETTING	4	
18	90115-KPW-900	SCREW, VISOR SPECIAL SETTING	2	
19	90502-GN5-640	COLLAR, RR. FENDER	2	
20	90677-KAN-T00	NUT, CLIP, 5MM	2	
21	91509-GE2-760	SCREW, PAN, 5X11.5	2	
22	92101-06020-0A	BOLT, HEX., 6X20	2	
23	93891-04016-07	SCREW-WASHER, 4X16	2	
24	93903-25210	SCREW, TAPPING, 5X12	8	
25	94103-06000	WASHER, PLAIN, 6MM	2	
26	95701-06025-00	BOLT, FLANGE, 6X25	2	
27	95701-06028-00	BOLT, FLANGE, 6X28	2	

F-30

CAUTION LABEL



KPWN-F3000

Service item

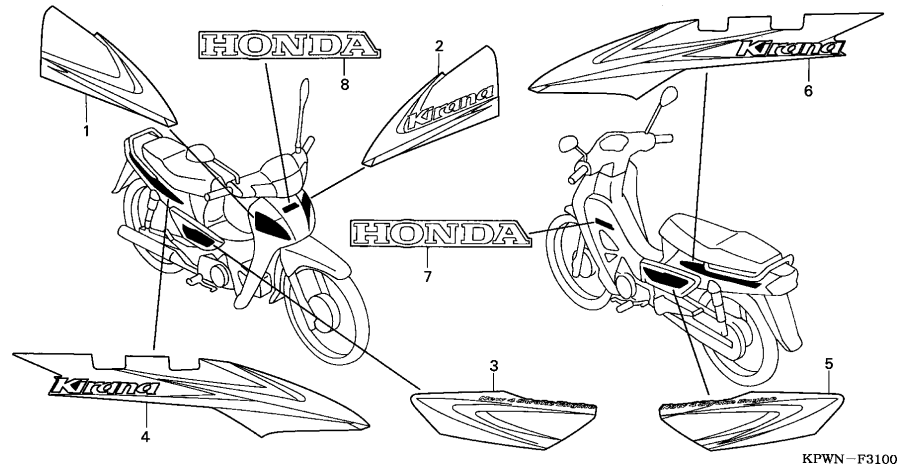
F.R.T.

No	Part Number	Description	Q'ty	Notes
1	87505-KPW-860	LABEL, TIRE	1	
2	87506-KPH-880	MARK, BATTERY CAUTION	1	
3	87507-KPW-860	LABEL, DRIVE CHAIN	1	
4	87560-KPH-880ZA	MARK, DRIVE CAUTION *TWHITE* WHITE	1	

3

F-31

MARK/STRIPE



Service item

F.R.T.

No	Part Number	Description	Q'ty	Notes
1	87102-KPW-860ZA	STRIPE, R. LEG SHIELD *TYPE1*	1	
	87102-KPW-860ZB	STRIPE, R. LEG SHIELD *TYPE2*	1	
	87102-KPW-860ZC	STRIPE, R. LEG SHIELD *TYPE3*	1	
2	87103-KPW-860ZA	STRIPE, L. LEG SHIELD *TYPE1*	1	
	87103-KPW-860ZB	STRIPE, L. LEG SHIELD *TYPE2*	1	
	87103-KPW-860ZC	STRIPE, L. LEG SHIELD *TYPE3*	1	
3	87106-KPW-860ZA	STRIPE, R. SIDE COVER *TYPE1*	1	
	87106-KPW-860ZB	STRIPE, R. SIDE COVER *TYPE2*	1	
	87106-KPW-860ZC	STRIPE, R. SIDE COVER *TYPE3*	1	
4	87107-KPW-860ZA	STRIPE, R. BODY COVER *TYPE1*	1	
	87107-KPW-860ZB	STRIPE, R. BODY COVER *TYPE2*	1	
	87107-KPW-860ZC	STRIPE, R. BODY COVER *TYPE3*	1	
5	87108-KPW-860ZA	STRIPE B, L. BODY COVER *TYPE1*	1	
	87108-KPW-860ZB	STRIPE B, L. BODY COVER *TYPE2*	1	
	87108-KPW-860ZC	STRIPE B, L. BODY COVER *TYPE3*	1	
6	87109-KPW-860ZA	STRIPE A, L. BODY COVER *TYPE1*	1	
	87109-KPW-860ZB	STRIPE A, L. BODY COVER *TYPE2*	1	
	87109-KPW-860ZC	STRIPE A, L. BODY COVER *TYPE3*	1	
7	87130-KPH-880ZA	MARK, HONDA *TYPE1*(100MM)	1	
	87130-KPH-880ZB	MARK, HONDA *TYPE2*(100MM)	1	
8	87202-KPW-860ZA	MARK, FR. TOP COVER *TYPE1*	1	
	87202-KPW-860ZB	MARK, FR. TOP COVER *TYPE2*	1	