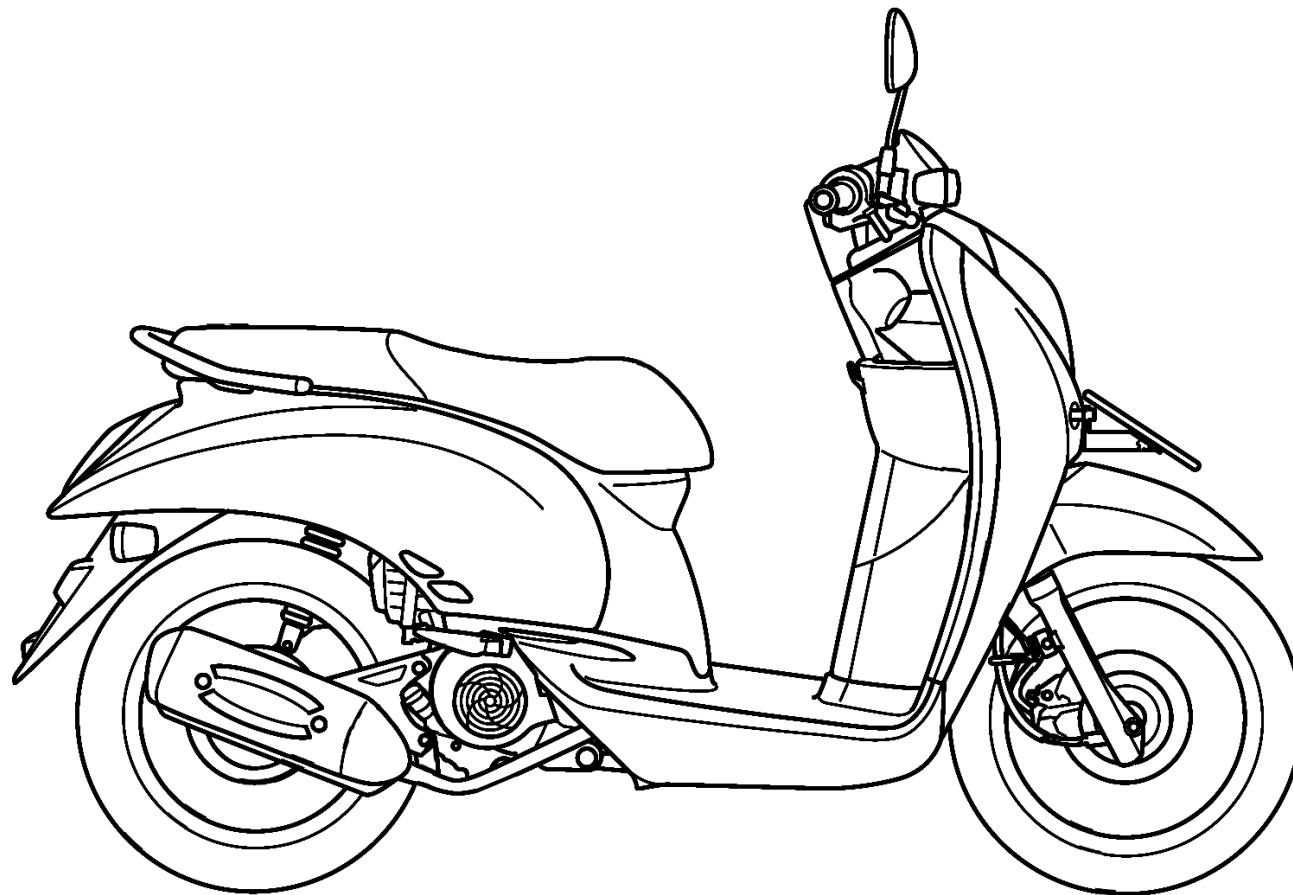




SCOOPY



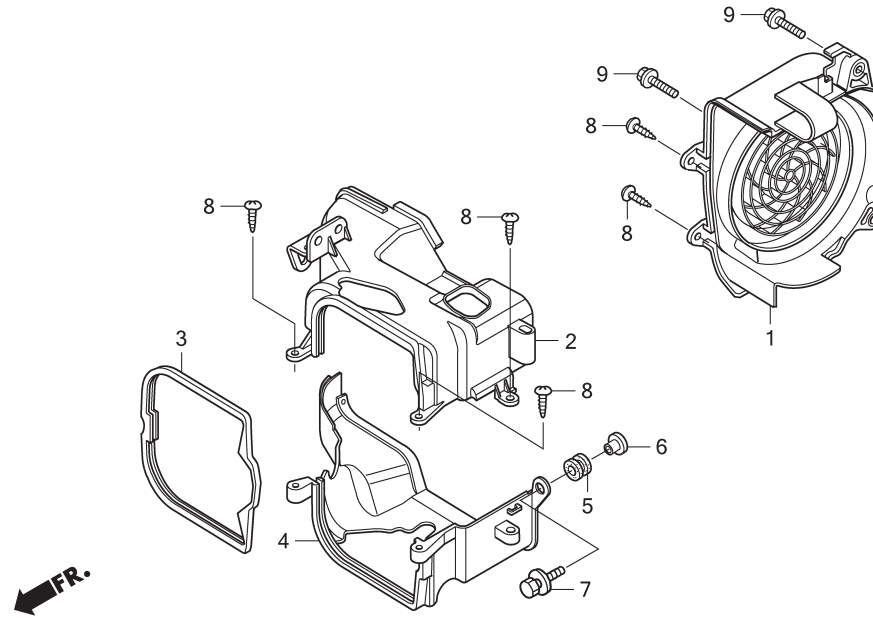
TST 10 PC 003

PARTS CATALOG
EDISI 1

PT Astra Honda Motor

E - 1

Shroud / Fan Cover



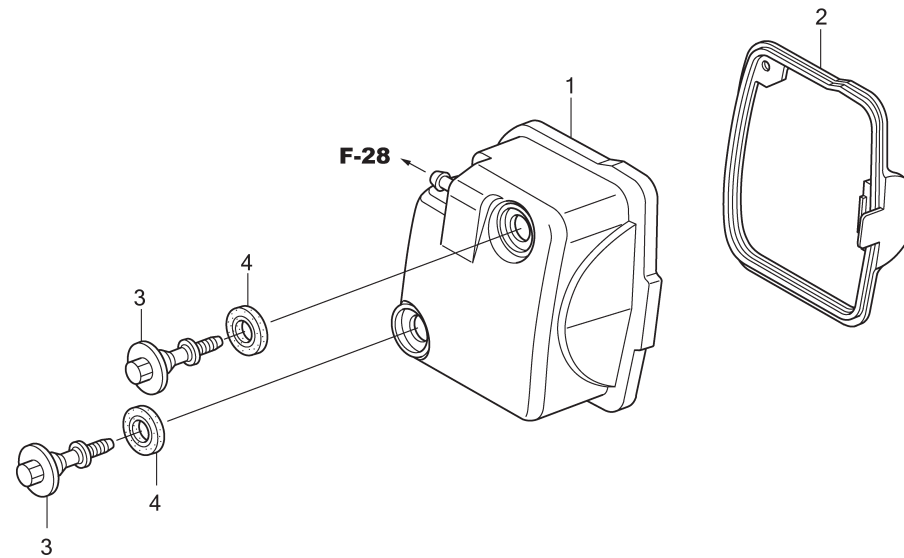
KYTIE0100

2

Service item	F.R.T.	No.	Part Number	Description	QTY	Notes
1 COVER, FAN.....	0.2	1	19610-KVY-900	COVER COMP., FAN	1	
2 SHROUD, ENGINE :UPPER.....	0.8	2	19621-KVY-900	SHROUD, IN.	1	
4 (3) SHROUD, ENGINE :LOWER	1.2	3	19625-KVY-900	SEAL, SHROUD	1	
SHROUD, ENGINE :BOTH	1.2	4	19631-KVY-900	SHROUD, EX.	1	
		5	19639-GBC-000	RUBBER, MOUNTING	1	
		6	33715-GB0-900	COLLAR, TAILLIGHT SETTING	1	
		7	93404-06020-00	BOLT-WASHER, 6X20	1	
		8	93903-25380	SCREW, TAPPING, 5X16	5	
		9	96001-06025-00	BOLT, FLANGE, 6X25	2	

E - 2

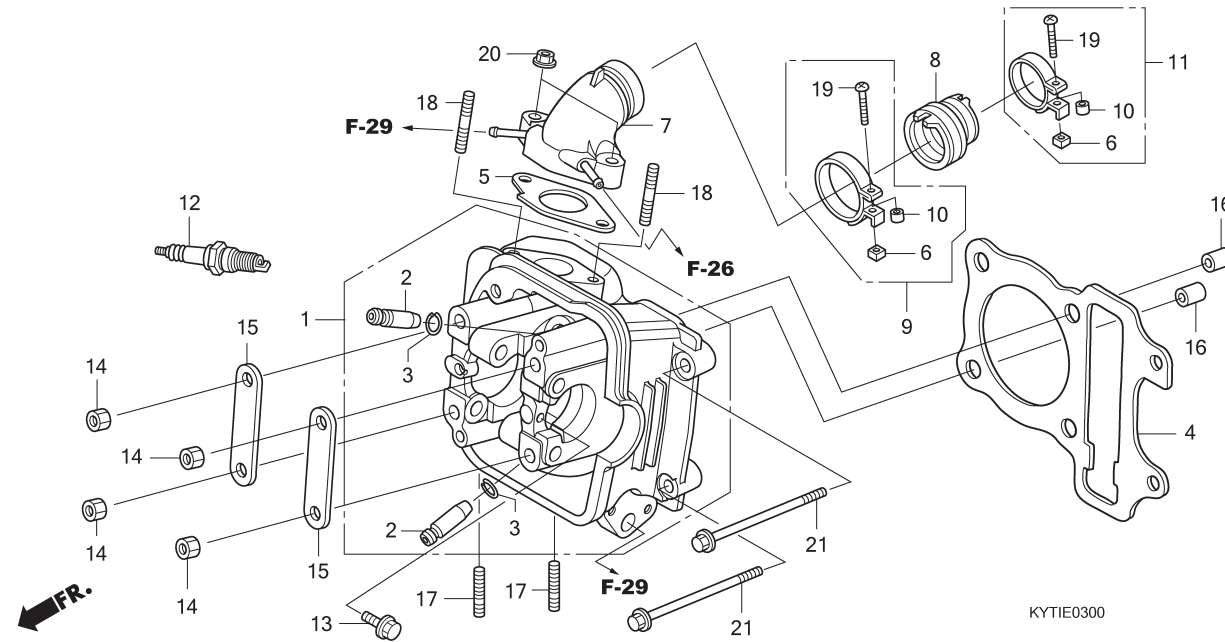
Cylinder Head Cover



KYTIE02

Service item	F.R.T.	No.	Part Number	Description	QTY	Notes
1 COVER, CYLINDER HEAD.....	0.2	1	12310-KVY-901	COVER COMP., CYLINDER HEAD	1	
2 GASKET, CYLINDER HEAD COVER.....	0.2	2	12391-KVY-900	GASKET, HEAD COVER	1	
		3	90017-GCC-000	BOLT, HEAD COVER	2	
		4	90543-MV9-670	RUBBER, MOUNTING	2	

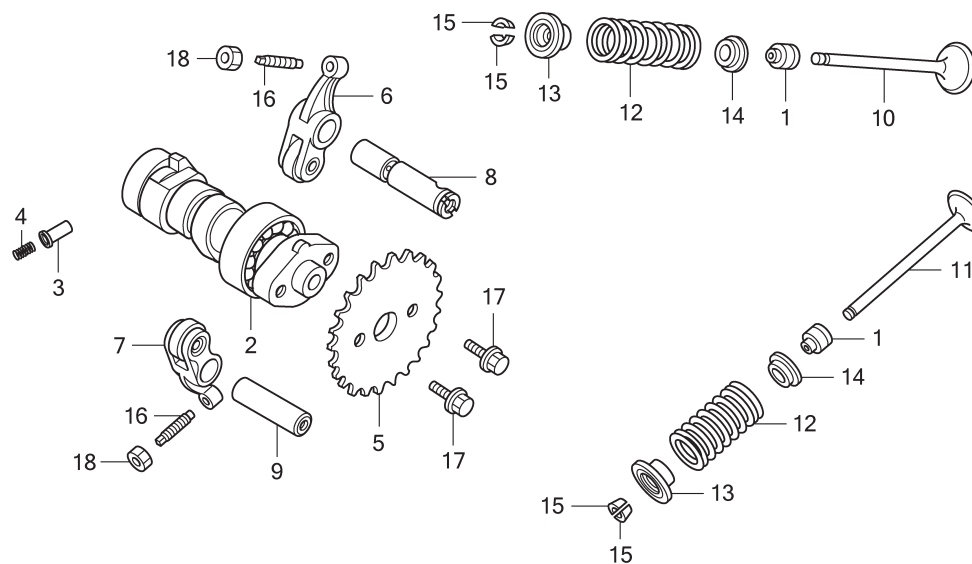
E - 3 Cylinder Head



2

Service item	F. R. T.	No.	Part Number	Description	QTY	Notes
1 HEAD, CYLINDER.....	2.9	1	12200-KVY-900	HEAD COMP., CYLINDER	1	
2 GUIDE, INTAKE VALVE(ONE).....	2.6	2	12204-KVY-305	GUIDE, VALVE (O.S.)	2	
GUIDE, EXHAUST VALVE(ONE).....	2.6	3	12206-KPL-900	CLIP, VALVE GUIDE	2	
4 GASKET, CYLINDER HEAD.....	1.7	4	12251-KVY-901	GASKET, CYLINDER HEAD (STD/0.25/0.50)	1	
			12252-KVY-307	GASKET, CYLINDER HEAD (O.S. 0.75/1.00)	(1)	
12 PLUG, SPARK.....	0.2	5	16201-KVY-901	GASKET, CARBURETOR INSULATOR	1	
		6	16222-MV4-300	NUT, SQUARE, 5MM	2	
		7	17110-KVY-900	PIPE, INLET	1	
		8	17112-KVY-900	INSULATOR, CARBURETOR	1	
		9	17256-KVY-900	BAND A, INSULATOR	1	
		10	17257-KVB-900	COLLAR	2	
		11	17258-KVY-900	BAND B, INSULATOR	1	
		12	31916-KRM-841	PLUG, SPARK (CPR8EA-9)	1	
			31928-MFF-D01	PLUG, SPARK (U24EPR9)	1	
			31926-KRM-841	PLUG, SPARK (CPR9EA-9)	(1)	
		13	90001-KVY-900	BOLT, FLANGE, 6X10	1	
		14	90201-GCC-000	NUT, HEX., 7MM	4	
		15	90401-KVY-900	PLATE, PLUNGER	2	
		16	90701-KFM-900	DOWEL PIN, SPECIAL, 8X14	2	
		17	92900-06012-0B	BOLT, STUD, 6X12	2	
		18	92900-06028-0B	BOLT, STUD, 6X28	2	
		19	93500-05025-0H	SCREW, PAN, 5X25	2	
		20	94050-06000	NUT, FLANGE, 6MM	2	
		21	95701-06100-00	BOLT, FLANGE, 6X100	2	

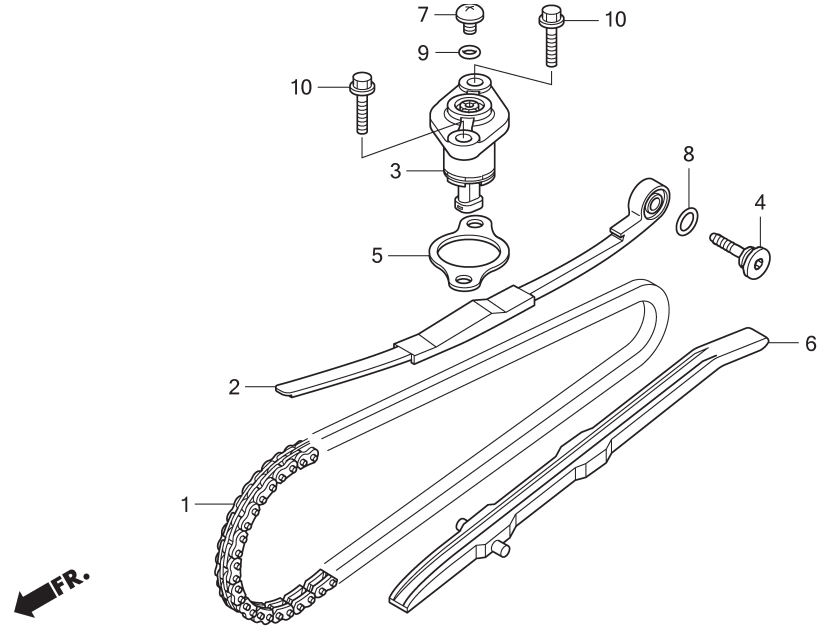
E - 4 Camshaft / Valve



KYTIE0400

Service item	F.R.T.	No.	Part Number	Description	QTY	Notes
2 CAMSHAFT.....	1.4	1	12209-GB4-681	SEAL, VALVE STEM	2	
5 SPROCKET, CAM	0.8	2	14100-KVY-900	CAMSHAFT COMP.	1	
6 (8) ARM, INTAKE VALVE ROCKER.....	1.9	3	14125-KVY-900	PLUNGER, CAM SETTING	1	
ARM, VALVE ROCKER		4	14126-KPH-900	SPRING, PLUNGER	1	
:FOR 1 VEHICLE	1.9	5	14321-KVY-900	SPROCKET, CAM (34T)	1	
10 VALVE, INTAKE(ONE)	2.2	6	14430-KVY-901	ARM COMP., IN. VALVE ROCKER	1	
.INCLUDES: Refacing		7	14440-KVY-901	ARM COMP., EX. VALVE ROCKER	1	
11 VALVE, EXHAUST(ONE)	2.2	8	14451-KVY-900	SHAFT, IN. ROCKER ARM	1	
.INCLUDES: Refacing		9	14461-KVB-900	SHAFT, EX. ROCKER ARM	1	
VALVE :FOR 1 VEHICLE.....	2.4	10	14711-KVY-900	VALVE, IN.	1	
.INCLUDES: Refacing		11	14721-KVY-900	VALVE, EX.	1	
12 (1,13,14,15)		12	14751-KVY-900	SPRING, VALVE	2	
SPRING AND/OR STEM SEAL,		13	14771-GB4-680	RETAINER, VALVE SPRING	2	
INTAKE VALVE(ONE).....	2	14	14775-KVY-900	SEAT, VALVE SPRING	2	
SPRING AND/OR STEM SEAL,		15	14781-MA6-000	COTTER, VALVE	4	
EXHAUST VALVE(ONE).....	2	16	90012-333-000	SCREW, TAPPET ADJUSTING	2	
SPRING AND/OR STEM SEAL,		17	90083-GB6-911	BOLT, KNOCK, 5MM	2	
VALVE :FOR 1 VEHICLE	2.1	18	90206-001-000	NUT, TAPPET ADJUSTING	2	

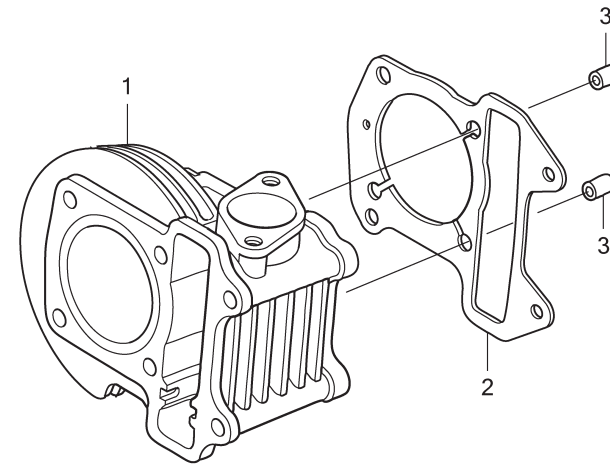
E - 5 Cam Chain / Tensioner



2

Service item	F.R.T.	No.	Part Number	Description	QTY	Notes
1 CHAIN, CAM	3.9	1	14401-KVB-901	CHAIN, CAM (90L)	1	
.INCLUDES: Engine removal and installation		2	14510-KVB-900	TENSIONER, CAM CHAIN	1	
2 TENSIONER, CAM CHAIN	1.3	3	14520-KVY-901	LIFTER ASSY., TENSIONER	1	
3 (5) LIFTER, TENSIONER	0.7	4	14531-KVY-900	PIVOT, CAM CHAIN TENSIONER	1	
		5	14560-KCW-851	GASKET, TENSIONER LIFTER	1	
6 GUIDE, CAM CHAIN	1.7	6	14611-KVB-900	GUIDE, CAM CHAIN	1	
		7	90005-KY7-000	SCREW, PAN, 6X6	1	
		8	91301-GR0-004	O-RING, 15.2X1.5	1	
		9	91306-MG3-000	O-RING, 1.5X9.5	1	
		10	95701-06022-00	BOLT, FLANGE, 6X22	2	

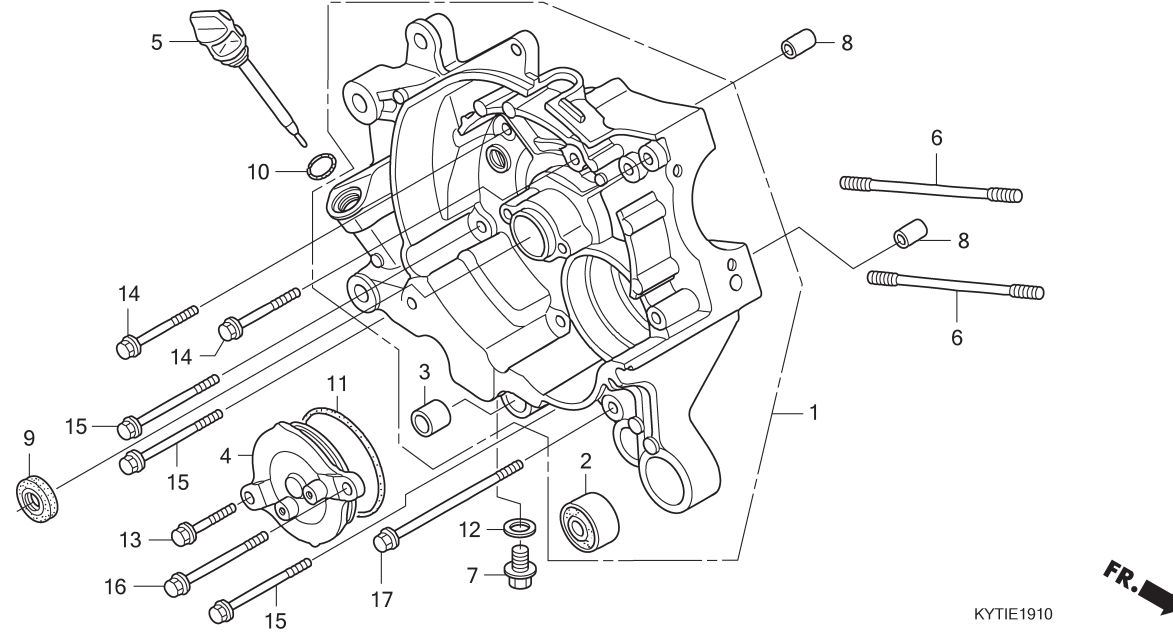
E- 6 Cylinder



KYTIF01

Service item	F.R.T.	No.	Part Number	Description	QTY	Notes
1 CYLINDER.....	2.1	1	12100-KVY-900	CYLINDER COMP.	1	
2 GASKET, CYLINDER.....	2	2	12191-KVY-901	GASKET, CYLINDER	1	
		3	90701-KFM-900	DOWEL PIN, SPECIAL, 8X14	2	

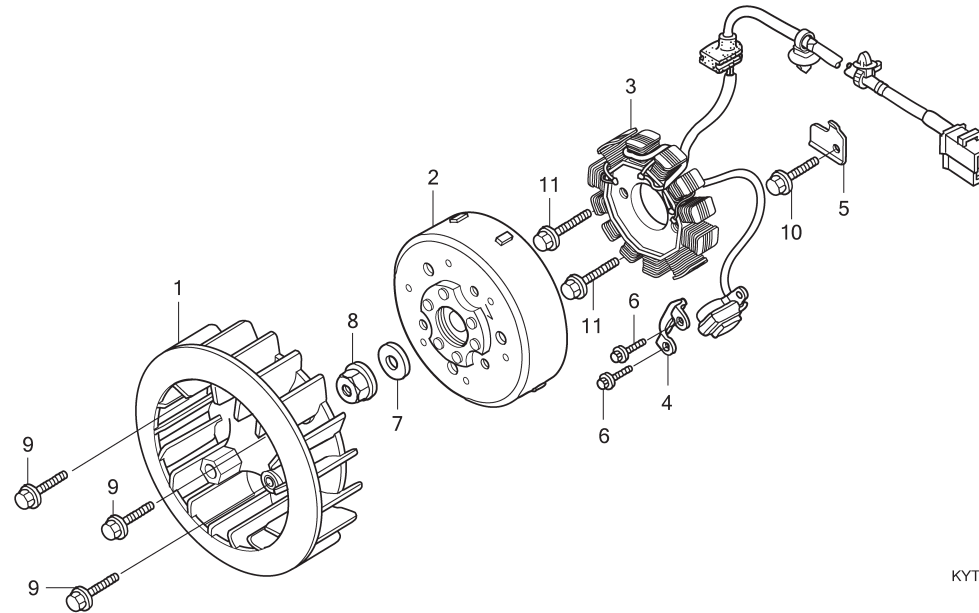
E - 7 Right Crankcase



2

Service item	F.R.T.	No.	Part Number	Description	QTY	Notes
1 CRANKCASE :RIGHT	3.8	1	11100-KVY-960	CRANKCASE COMP., R.	1	
.INCLUDES: Engine removal and installation		2	11103-KVB-901	BUSH, ENGINE HANGER RUBBER	1	
			11103-KVB-930	BUSH, ENGINE HANGER RUBBER	1	
CRANKCASE :BOTH	4.9	3	11205-GBC-300	BUSH, MAINSTAND	1	
.INCLUDES: Engine removal and installation		4	11361-KVY-900	COVER, OIL PUMP	1	
		5	15651-KVY-900	GAUGE, OIL LEVEL	1	
9 OIL SEAL, CRANKSHAFT :RIGHT	3.6	6	90031-KVB-900	BOLT A, STUD, 7X193.5	2	
.INCLUDES: Engine removal and installation		7	90131-883-000	BOLT, DRAIN PLUG, 12X15	1	
		8	90702-KVB-900	PIN, SPECIAL DOWEL, 6.3X10X12	2	
		9	91201-GCC-771	OIL SEAL, 16X26X7	1	
		10	91307-035-000	O-RING, 18X3	1	
OIL SEAL, CRANKSHAFT :BOTH.....	4.8	11	91307-639-000	O-RING, 64X2	1	
.INCLUDES: Engine removal and installation		12	94109-12000	WASHER, DRAIN PLUG, 12MM	1	
		13	95701-06022-00	BOLT, FLANGE, 6X22	1	
		14	95701-06055-00	BOLT, FLANGE, 6X55	3	
		15	95701-06080-00	BOLT, FLANGE, 6X80	3	
		16	95701-06085-07	BOLT, FLANGE, 6X85	1	
		17	95701-06115-00	BOLT, FLANGE, 6X115	1	

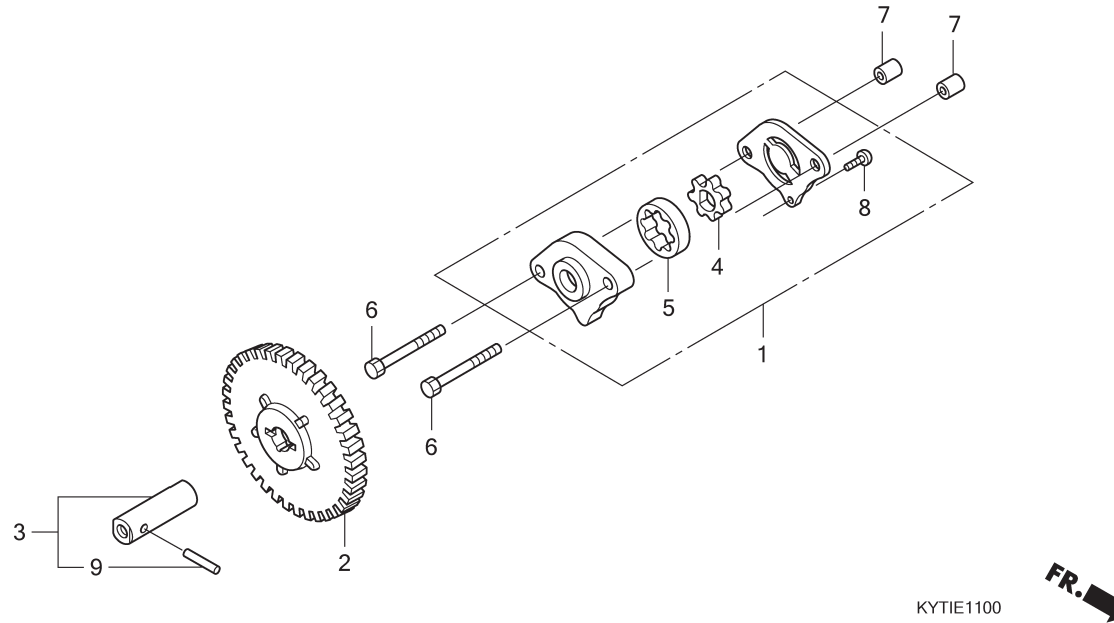
E - 8 Generator



KYTIE0800 **FR.** →

Service item	F.R.T.	No.	Part Number	Description	QTY	Notes
1 FAN, COOLING	0.2	1	19510-KVY-900	FAN COMP., COOLING	1	
2 ROTOR OR FLYWHEEL	0.4	2	31110-KVY-961	FLYWHEEL COMP.	1	
3 STATOR	0.8		31110-KVY-962	FLYWHEEL COMP.	(1)	
		3	31120-KVY-961	STATOR COMP.	1	
			31120-KVY-962	STATOR COMP.	(1)	
		4	32907-KVY-900	CLIP, A.C. GENERATOR CORD	1	
		5	32976-KVY-900	CLAMPER, WIRE HARNESS	1	
		6	90002-KGH-900	BOLT, FLANGE, 5X14	2	
		7	90410-HC4-000	WASHER, 10MM	1	
		8	94050-10000	NUT, FLANGE, 10MM	1	
		9	95701-06016-00	BOLT, FLANGE, 6X16	3	
		10	96001-06016-00	BOLT, FLANGE, 6X16	1	
		11	96001-06020-00	BOLT, FLANGE, 6X20	2	

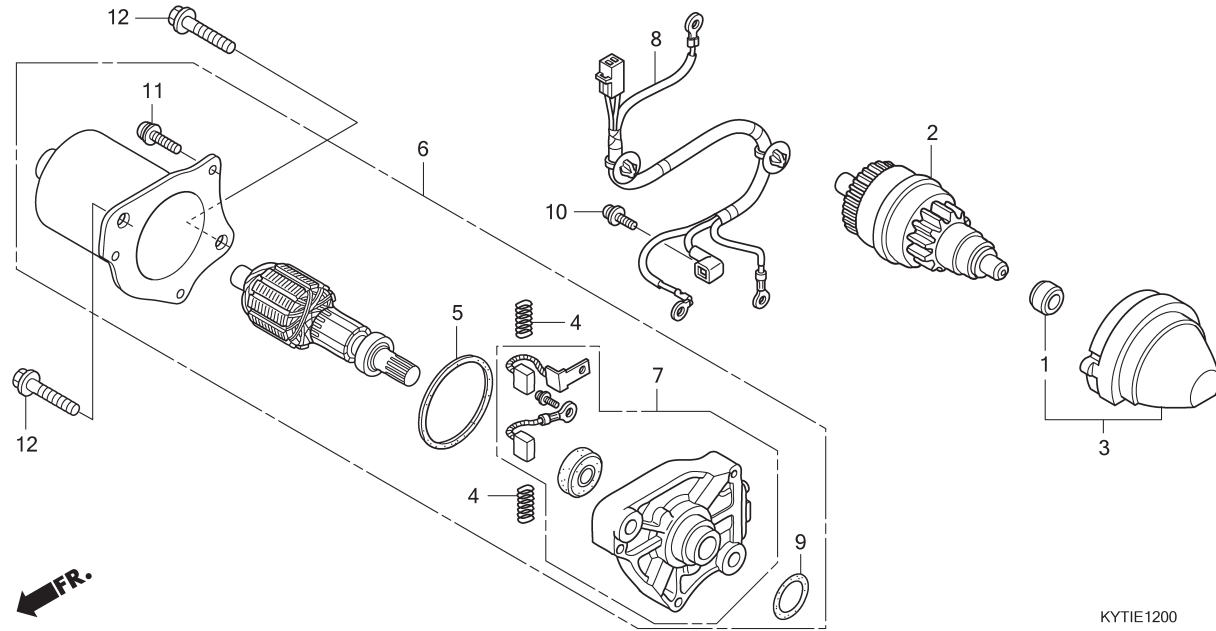
E - 9 Oil Pump



2

Service item	F.R.T.	No.	Part Number	Description	QTY	Notes
1 PUMP ASSY., OIL	0.8	1	15100-KVB-900	PUMP ASSY., OIL	1	
2 (3) GEAR, OIL PUMP DRIVEN	0.6	2	15133-KVY-900	GEAR, OIL PUMP DRIVEN (39T)	1	
		3	15135-KVY-900	SHAFT COMP., OIL PUMP	1	
		4	15331-KVB-900	ROTOR, OIL PUMP INNER	1	
		5	15332-KVB-900	ROTOR, OIL PUMP OUTER	1	
		6	90002-GFC-900	BOLT, HEX., 6X30	2	
		7	90702-KFM-900	DOWEL PIN, 8X12	2	
		8	93901-34120	SCREW, TAPPING, 4X8	1	
		9	96220-30168	ROLLER, 3X16.8	1	

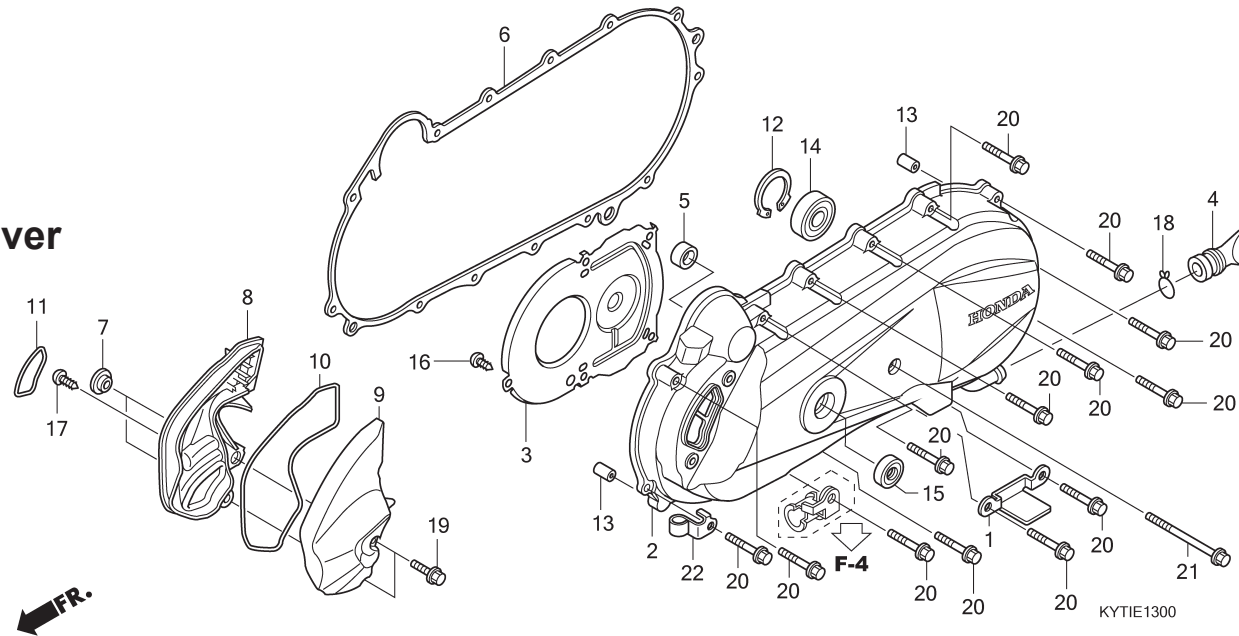
E - 10 Starting Motor



KYTIE1200

Service item	F.R.T.	No.	Part Number	Description	QTY	Notes
2 PINION, STARTER	0.3	1	11205-GW3-931	BUSH, 8X12X6	1	
3 HOLDER, STARTER DRIVE GEAR	0.2	2	28120-KVB-901	PINION ASSY., STARTER	1	
		3	28150-KVB-900	HOLDER COMP., STARTER PINION	1	
6 MOTOR, STARTING.....	0.6	4	31204-KG8-004	SPRING, CARBON BRUSH	2	
7 (4) BRACKET, STARTING MOTOR FRONT	0.8	5	31206-GW3-004	PACKING	1	
8 SUB HARNESS, STARTER	0.5	6	31210-KVY-961	MOTOR UNIT, STARTER	1	
		7	31213-KEE-630	BRACKET COMP., FR.	1	
		8	32410-KVY-961	SUB CORD, STARTER MOTOR	1	
		9	91309-KEE-630	O-RING	1	
		10	93892-04006-08	SCREW-WASHER, 4X6	1	
		11	93892-05016-08	SCREW-WASHER, 5X16	3	
		12	96001-06035-00	BOLT, FLANGE, 6X35	2	

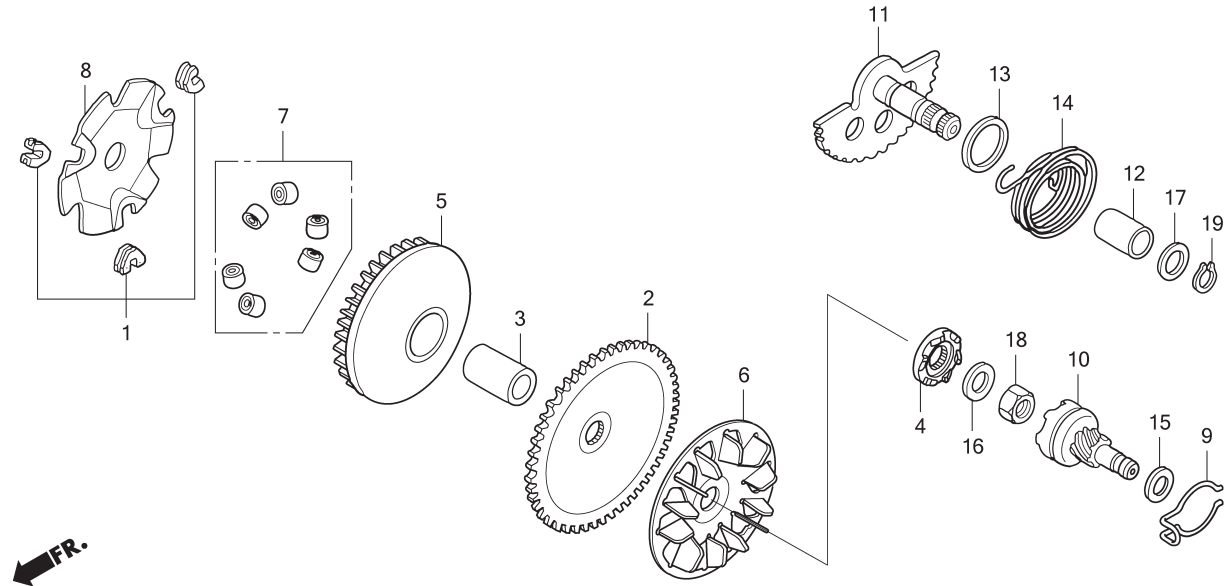
E - 11 Left Crankcase Cover



2

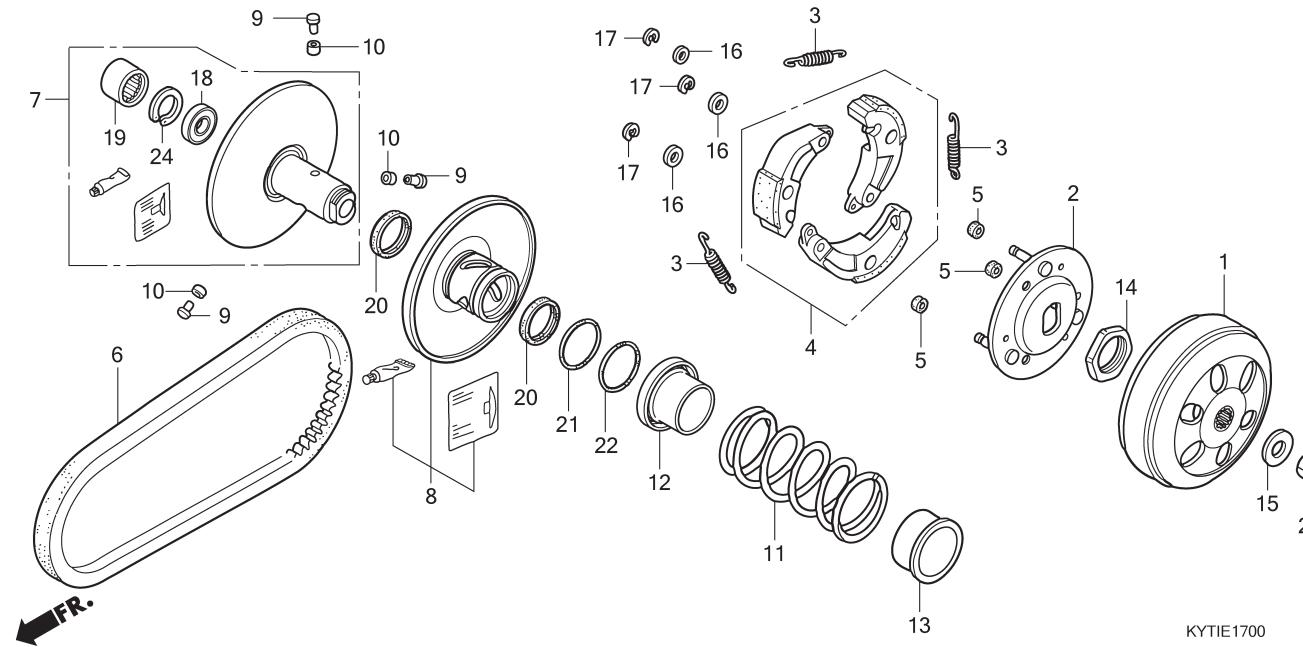
Service item	F.R.T.	No.	Part Number	Description	QTY	Notes
2 COVER, CRANKCASE :LEFT	0.5	1	11230-KVB-900	COVER, VENT HOLE	1	
6 GASKET, CRANKCASE COVER :LEFT	0.2	2	11340-KYT-940	COVER COMP., L. SIDE	1	
9 (8,10,11) DUCT, BELT COVER	0.1	3	11342-KVY-900	PLATE, L. COVER	1	
14 BEARING, DRIVESHAFT :LEFT	0.4	4	11343-KVG-900	TUBE, DRAIN	1	
BEARING, DRIVESHAFT :BOTH	1.2	5	11344-GW3-980	RUBBER, STARTER PINION HOLDER	1	
15 OIL SEAL, KICK STARTER SPINDLE..	0.2	6	11395-KVY-901	GASKET, L. COVER	1	
		7	19416-KEY-900	COLLAR	2	
		8	19741-KVY-900	DUCT, L. COVER	1	
		9	19742-KVY-900	CAP, L. COVER	1	
		10	19748-KVY-900	SEAL, DUCT	1	
		11	19749-KVY-900	SEAL, L. DUCT COVER	1	
		12	90652-KVB-900	CIRCLIP, INTERNAL, 32MM	1	
		13	90702-KFM-900	DOWEL PIN, 8X12	2	
		14	91005-KVB-900	BEARING COMP., RADIAL BALL	1	
		15	91211-PE9-003	OIL SEAL, 16X26X6	1	
		16	93903-34120	SCREW, TAPPING, 4X8	5	
		17	93903-34310	SCREW, TAPPING, 4X12	2	
		18	95002-80000	CLIP, TUBE (C12)	1	
		19	96001-06018-00	BOLT, FLANGE, 6X18	2	
		20	96001-06035-00	BOLT, FLANGE, 6X35	13	
		21	96001-06085-00	BOLT, FLANGE, 6X85	1	
		22	16236-KVG-900	CLAMPER, DRAIN TUBE	1	

E - 12 Drive Face



Service item	F.R.T.	No.	Part Number	Description	QTY	Notes
2 (4,6) FACE, DRIVE.....	0.4	1	22011-GCC-770	PIECE SET, SLIDE	1	
5 (3) FACE, MOVABLE DRIVE	0.4	2	22102-KVY-900	FACE, DRIVE (66T)	1	
		3	22105-KVY-960	BOSS, DRIVE FACE	1	
7 (1,8) ROLLER, WEIGHT	0.4	4	22109-KVY-900	RATCHET, STARTER	1	
10 (9) GEAR, KICK STARTER DRIVEN.....	0.2	5	22110-KVY-900	FACE COMP., MOVABLE DRIVE	1	
		6	22113-KVY-900	FIN, DRIVE FACE	1	
11 SPINDLE, KICK STARTER.....	0.4	7	22123-KVY-900	ROLLER SET, WEIGHT	1	
14 (12) SPRING, KICK STARTER RETURN	0.4	8	22131-KVY-900	PLATE, RAMP	1	
		9	28223-GCC-000	SPRING, KICK DRIVEN GEAR	1	
		10	28230-KVB-T00	GEAR COMP., KICK STARTER SPINDLE (7T)	1	
		11	28250-KVB-T00	SPINDLE COMP., KICK STARTER	1	
		12	28253-KVB-900	BUSH, KICK SPINDLE	1	
		13	28255-GS6-000	COLLAR, KICK BOSS	1	
		14	28281-GCC-000	SPRING, KICK RETURN	1	
		15	90412-329-000	WASHER, THRUST, 10MM	1	
		16	90426-KVB-900	WASHER, SPECIAL, 14MM	1	
		17	90439-443-740	WASHER, 16X22	1	
		18	94030-14200	NUT, HEX., 14MM	1	
		19	94511-16000	CIRCLIP, EXTERNAL, 16MM	1	

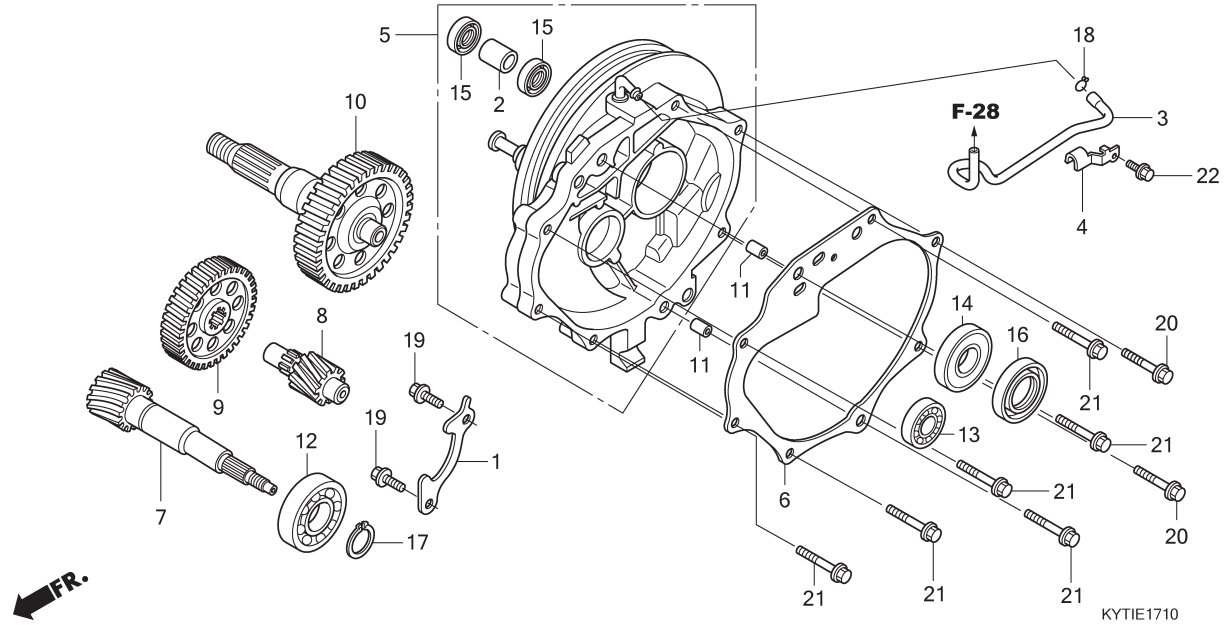
E - 13 Driven Face



2

Service item	F.R.T.	No.	Part Number	Description	QTY	Notes
1 OUTER, CLUTCH	0.3	1	22100-KVY-900	OUTER COMP., CLUTCH	1	
4 (2,3) WEIGHT SET, CLUTCH	0.6	2	22350-KVY-900	PLATE COMP., DRIVE	1	
		3	22401-KVY-900	SPRING, CLUTCH	3	
6 BELT, DRIVE	0.4	4	22535-KVY-900	WEIGHT SET, CLUTCH	1	
7 FACE, DRIVEN	0.5	5	22804-148-000	RUBBER, CLUTCH DAMPER	3	
8 (9,10,20) FACE, MOVABLE DRIVEN....	0.5	6	23100-KVY-901	BELT, DRIVE	1	
		7	23205-KVY-960	FACE SET, DRIVEN	1	
11 (12,13) SPRING, DRIVEN FACE.....	0.5	8	23224-KVY-900	FACE SET, MOVABLE DRIVEN	1	
19 (18) BEARING, DRIVEN FACE.....	0.6	9	23225-KSY-900	PIN, ROLLER GUIDE	3	
.Replace 1 bearing add	0.1	10	23226-KVB-900	ROLLER, GUIDE	3	
		11	23233-GCC-000	SPRING, DRIVEN FACE	1	
		12	23237-GCC-C50	COLLAR, SEAL	1	
		13	23238-GCC-000	COLLAR, SPRING	1	
		14	90202-KN7-670	NUT, SPECIAL, 30MM	1	
		15	90441-GY6-940	WASHER, 12.2X29X2.5	1	
		16	90442-044-000	WASHER, THRUST, 6MM	3	
		17	90454-GB2-000	CIRCLIP, 6MM	3	
		18	91009-KVY-961	BEARING, RADIAL BALL, 6902U	1	
		19	91109-KVY-901	BEARING, NEEDLE, 20X29X18	1	
		20	91211-GK8-013	OIL SEAL, 34X39X3	2	
		21	91351-GR1-000	O-RING, 38.5X2	1	
		22	91351-642-000	O-RING, PINION CAP	1	
		23	94030-12200	NUT, HEX., 12MM	1	
		24	94520-28000	CIRCLIP, INTERNAL, 28MM	1	

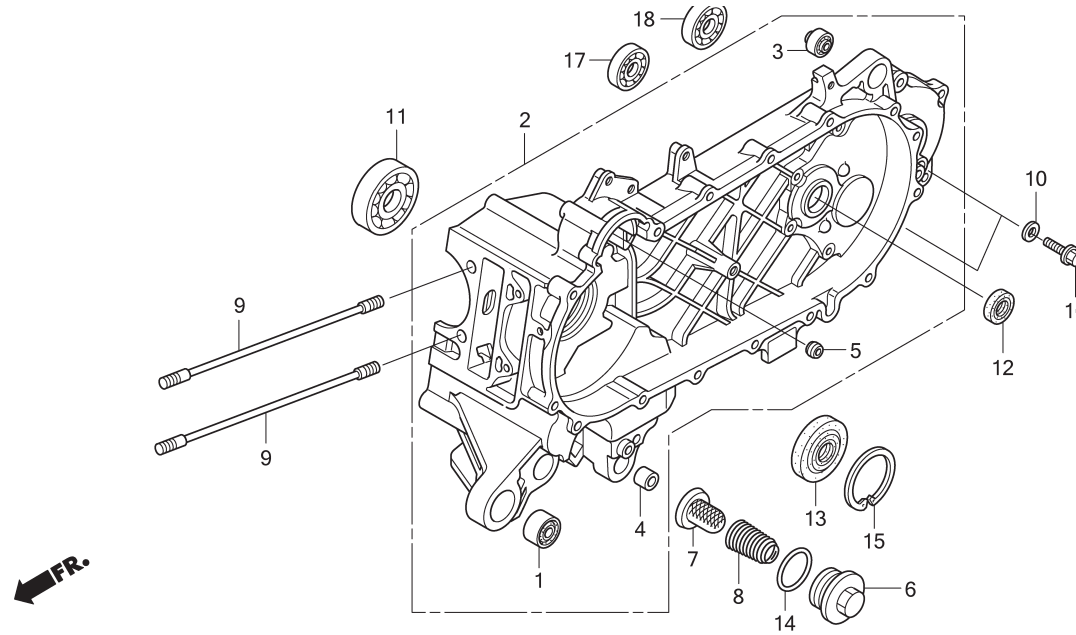
E - 14 Transmission



Service item	F.R.T.	No.	Part Number	Description	QTY	Notes
5 CASE, TRANSMISSION	1.1	1	11108-KVB-900	PLATE, MISSION BEARING SETTING	1	
		2	11204-KGF-900	SLEEVE, RR. BRAKE CAM	1	
6 GASKET, TRANSMISSION CASE	0.8	3	11211-KVB-900	TUBE, BREATHER	1	
7 SHAFT, DRIVE	1.1	4	11241-KVB-900	CLAMPER, BREATHER TUBE	1	
8 COUNTERSHAFT, TRANSMISSION....	0.8	5	21200-KVY-700	CASE COMP., MISSION	1	
9 GEAR, COUNTER	0.8	6	21395-KVB-901	GASKET, MISSION CASE	1	
10 SHAFT, FINAL GEAR	0.8	7	23411-KVY-900	SHAFT, DRIVE (18T)	1	
		8	23421-KVB-900	SHAFT, COUNTER (12T)	1	
12 BEARING, DRIVESHAFT :RIGHT	1.1	9	23422-KVG-900	GEAR, COUNTER (51T)	1	
BEARING, DRIVESHAFT :BOTH.....	1.2	10	23430-KVB-900	GEAR COMP., FINAL (45T)	1	
13 BEARING, COUNTERSHAFT :RIGHT..	1	11	90702-KFM-900	DOWEL PIN, 8X12	2	
BEARING, COUNTERSHAFT :BOTH...	1.1	12	91001-KE6-831	BEARING, RADIAL BALL, 6204	1	
14 (16) BEARING, FINAL GEAR SHAFT		13	91007-KVB-901	BEARING, RADIAL BALL, 6201	1	
:RIGHT	1		91007-KVB-902	BEARING, RADIAL BALL, 6201	1	
BEARING, FINAL GEAR SHAFT		14	91009-KVB-901	BEARING, RADIAL BALL, 60/22 UU	1	
:BOTH.....	1.1	15	91201-434-003	OIL SEAL, 14X20X3	2	
		16	91255-KVB-901	OIL SEAL, 29X44X7	1	
			91255-KVB-902	OIL SEAL, 29X44X7	1	
		17	94510-20000	CIRCLIP, EXTERNAL, 20MM	1	
		18	95002-50000	CLIP, TUBE (C9)	1	
		19	95701-06014-00	BOLT, FLANGE, 6X14	2	
		20	95701-06030-00	BOLT, FLANGE, 6X30	2	
		21	95701-06040-00	BOLT, FLANGE, 6X40	6	
		22	96001-06016-00	BOLT, FLANGE, 6X16	1	

E - 15

Left Crankcase

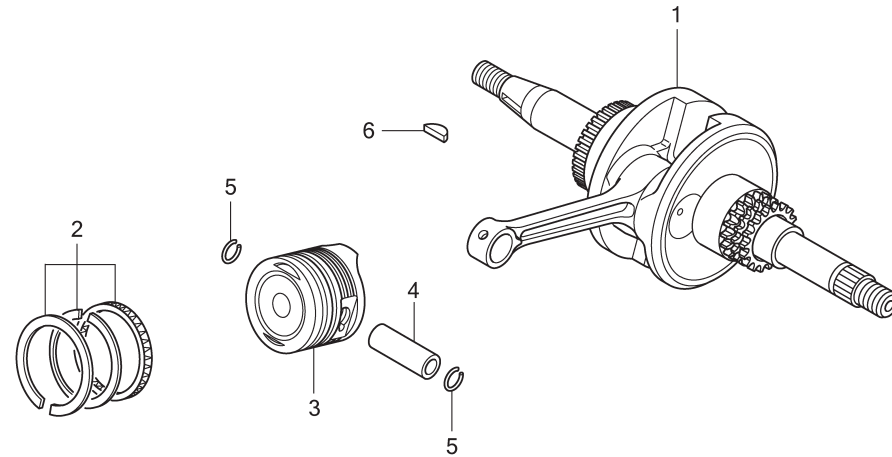


2

Service item	F. R. T.	No.	Part Number	Description	QTY	Notes
2 CRANKCASE :LEFT	4.7	1	11103-KVB-901	BUSH, ENGINE HANGER RUBBER	1	
.INCLUDES: Engine removal and installation			11103-KVB-930	BUSH, ENGINE HANGER RUBBER	1	
2 CRANKCASE :LEFT		2	11200-KVY-960	CRANKCASE COMP., L.	1	
CRANKCASE :BOTH	4.9	3	11203-KVB-901	BUSH, RR. CUSHION UNDER RUBBER	1	
.INCLUDES: Engine removal and installation		4	11205-GBC-300	BUSH, MAINSTAND	1	
		5	11205-GW3-980	BUSH, 8X12X6	1	
7 SCREEN, OIL FILTER	0.2	6	12361-035-000	CAP, TAPPET ADJUSTING HOLE	1	
11 BEARING, CRANKSHAFT :LEFT.....	3.9	7	15421-KPL-900	SCREEN, OIL FILTER	1	
12 OIL SEAL, DRIVESHAFT	1.1		15421-107-000	SCREEN, OIL FILTER	(1)	
13 OIL SEAL, CRANKCASE :LEFT	3.9	8	15426-KVB-900	SPRING, OIL FILTER SCREEN	1	
.INCLUDES: Engine removal and installation		9	90032-KVB-900	BOLT B, STUD, 7X198.5	2	
OIL SEAL, CRANKCASE :BOTH	4	10	90474-333-000	WASHER, SEALING, 8MM	2	
.INCLUDES: Engine removal and installation		11	91002-KVY-901	BEARING, RADIAL BALL, 6007	1	
		12	91202-KJ9-003	OIL SEAL, 20X32X6	1	
17 BEARING, COUNTERSHAFT :LEFT....	1	13	91202-KVB-901	OIL SEAL, 20.8X52X6X7.5	1	
BEARING, COUNTERSHAFT :BOTH....	1.1	14	91302-001-020	O-RING, 30.8MM	1	
18 BEARING, FINAL GEAR SHAFT :LEFT	1	15	94520-52150	CIRCLIP, INTERNAL, 52MM	1	
BEARING, FINAL GEAR SHAFT :BOTH	1.1	16	95701-08012-00	BOLT, FLANGE, 8X12	2	
		17	96100-63010-00	BEARING, RADIAL BALL, 6301	1	
		18	96100-63020-00	BEARING, RADIAL BALL, 6302	1	

E - 16

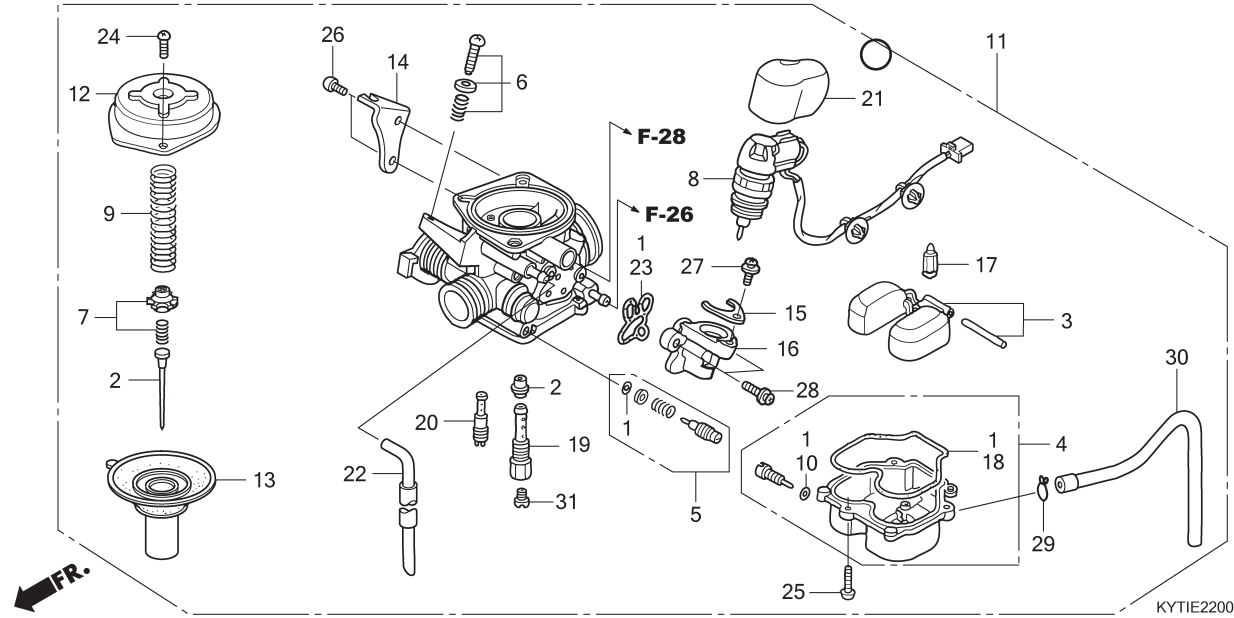
Crankshaft / Piston



KYTIE2C

Service item	F.R.T.	No.	Part Number	Description	QTY	Notes
1 CRANKSHAFT.....	3.7	1	13000-KVY-960	CRANKSHAFT COMP.	1	
3 (2,4,5) RING, PISTON AND/OR PISTON ONE)	2.2	2	13011-KVY-700	RING SET, PISTON (STD.)	1	
			13012-KVY-700	RING SET, PISTON (STD.)	1	
			13021-KVY-700	RING SET, PISTON (0.25)	(1)	
			13022-KVY-700	RING SET, PISTON (0.25)	(1)	
			13031-KVY-700	RING SET, PISTON (0.50)	(1)	
			13032-KVY-700	RING SET, PISTON (0.50)	(1)	
			13041-KVY-700	RING SET, PISTON (0.75)	(1)	
			13042-KVY-700	RING SET, PISTON (0.75)	(1)	
			13051-KVY-700	RING SET, PISTON (1.00)	(1)	
			13052-KVY-700	RING SET, PISTON (1.00)	(1)	
		3	13101-KVY-700	PISTON (STD.)	1	
			13102-KVY-307	PISTON (0.25)	(1)	
			13103-KVY-307	PISTON (0.50)	(1)	
			13104-KVY-307	PISTON (0.75)	(1)	
			13105-KVY-307	PISTON (1.00)	(1)	
		4	13111-087-000	PIN, PISTON	1	
		5	13115-GN5-910	CLIP, PISTON PIN, 13MM	2	
		6	90741-KVY-900	KEY, WOODRUFF	1	

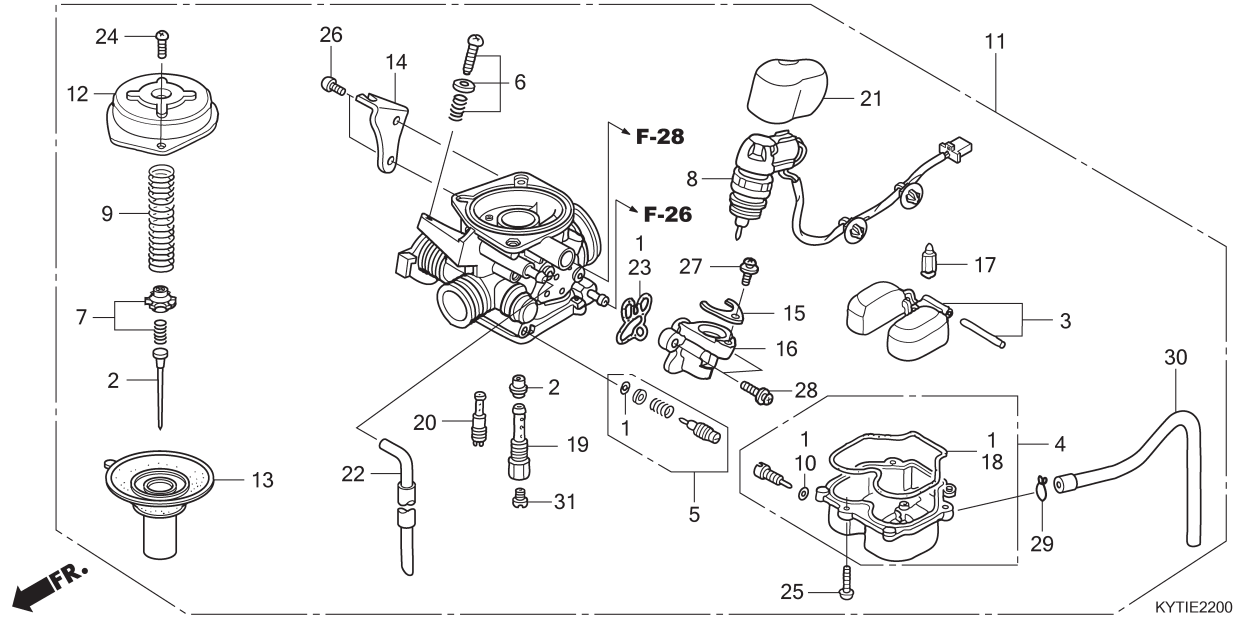
E - 17 Carburetor



2

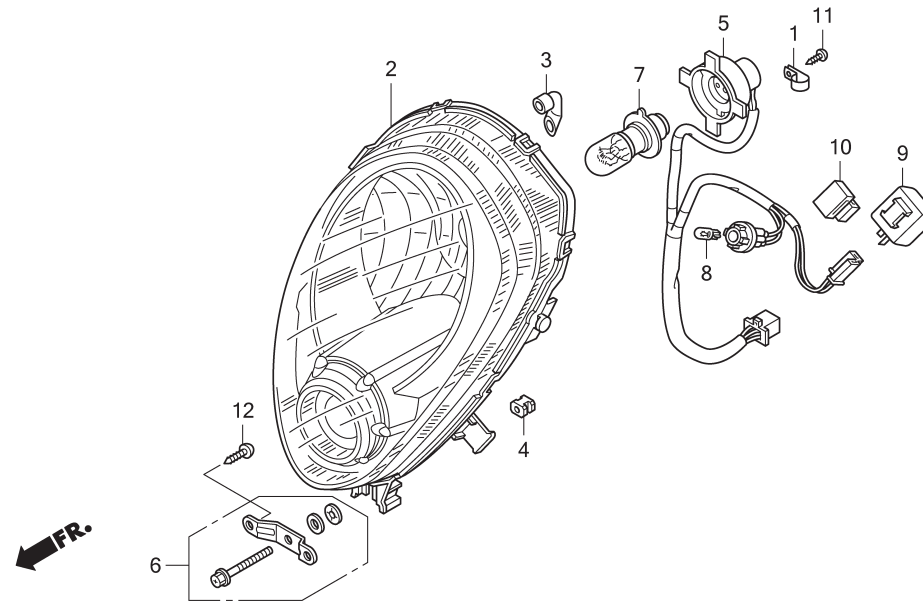
Service item	F. R. T.	No.	Part Number	Description	QTY	Notes
2 NEEDLE, JET	0.9	1	16010-KGF-911	GASKET SET	1	
3 (17) FLOAT OR FLOAT VALVE	0.7	2	16012-KVY-961	NEEDLE SET, JET	1	
4 CHAMBER, FLOAT	0.6	3	16013-KRP-981	FLOAT SET	1	
		4	16015-KVY-901	CHAMBER SET, FLOAT	1	
8 BYSTARTER, AUTO	0.4	5	16016-KRP-981	SCREW SET A	1	
11 CARBURETOR ASSEMBLY	0.8	6	16028-KVB-901	SCREW SET B	1	
13 PISTON, VACUUM	0.3	7	16037-KCW-000	PLATE SET, VALVE	1	
		8	16046-KVY-902	VALVE SET, STARTER	1	
		9	16050-KVY-901	SPRING, COMPRESSION COIL	1	
31 (19,20) JET, MAIN	0.7	10	16075-GHB-640	O-RING, 1.3X4.3	1	
		11	16100-KYT-941	CARBURETOR ASSY. (AVK2CT A)	1	
		12	16107-GCC-000	TOP	1	
		13	16111-KVB-902	PISTON COMP., VACUUM	1	
		14	16119-KVB-901	STAY, WIRE	1	
		15	16131-ZW9-801	PLATE, SETTING	1	
		16	16140-GFC-901	BODY COMP., BYSTARTER	1	
		17	16155-KJ9-751	VALVE COMP., FLOAT	1	
		18	16163-KGF-911	GASKET, FLOAT CHAMBER	1	
		19	16165-KYT-941	HOLDER, NEEDLE JET	1	
		20	16180-KGH-971	JET, SLOW, #35	1	
		21	16190-GEE-003	CAP, HOLDER	1	
		22	16199-KVY-901	TUBE, AIR VENT	1	
		23	16423-KGH-901	GASKET, BYSTARTER	1	

E - 17 Carburetor



Service item	F.R.T.	No.	Part Number	Description	QTY	Notes
		24	93500-04008-1H	SCREW, PAN, 4X8	2	
		25	93500-04012-0H	SCREW, PAN, 4X12	3	
		26	93500-05012-1H	SCREW, PAN, 5X12	2	
		27	93892-04008-18	SCREW-WASHER, 4X8	1	
		28	93892-05012-18	SCREW-WASHER, 5X12	2	
		29	95002-02089	CLIP, TUBE (B8)	1	
		30	95005-45240-50	TUBE, 4.5X240 (95005-45001-50M)	1	
		31	99101-KTB-0980	JET, MAIN, #98	1	

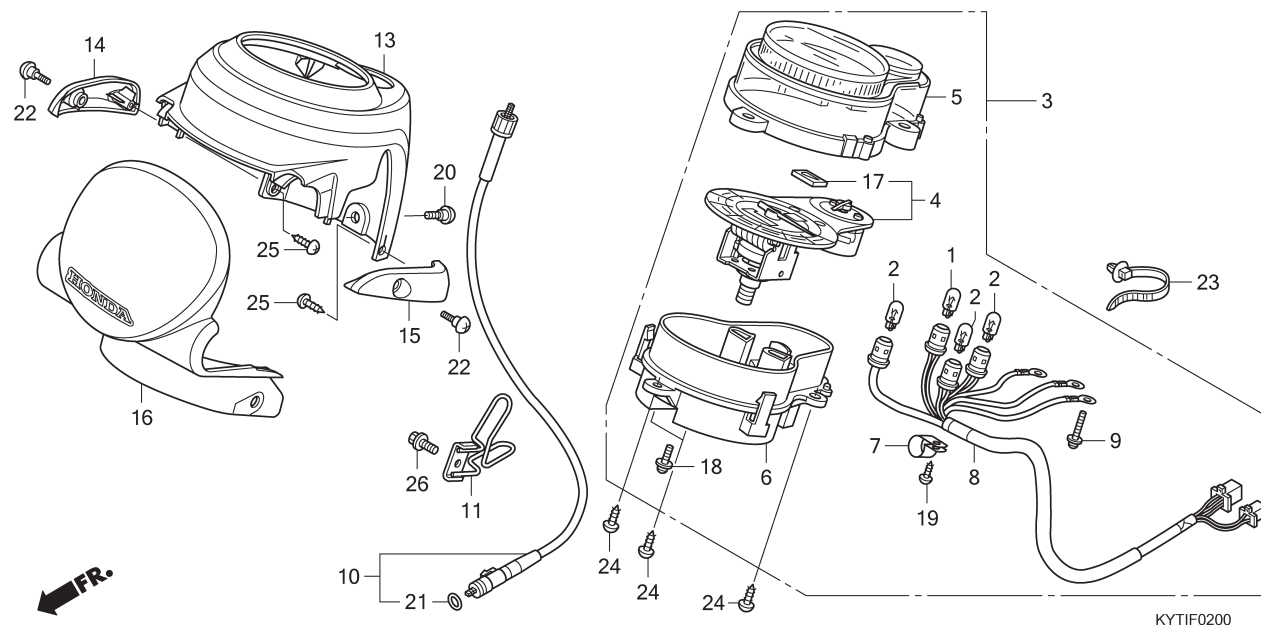
F - 1 Headlight



KYTIF0100

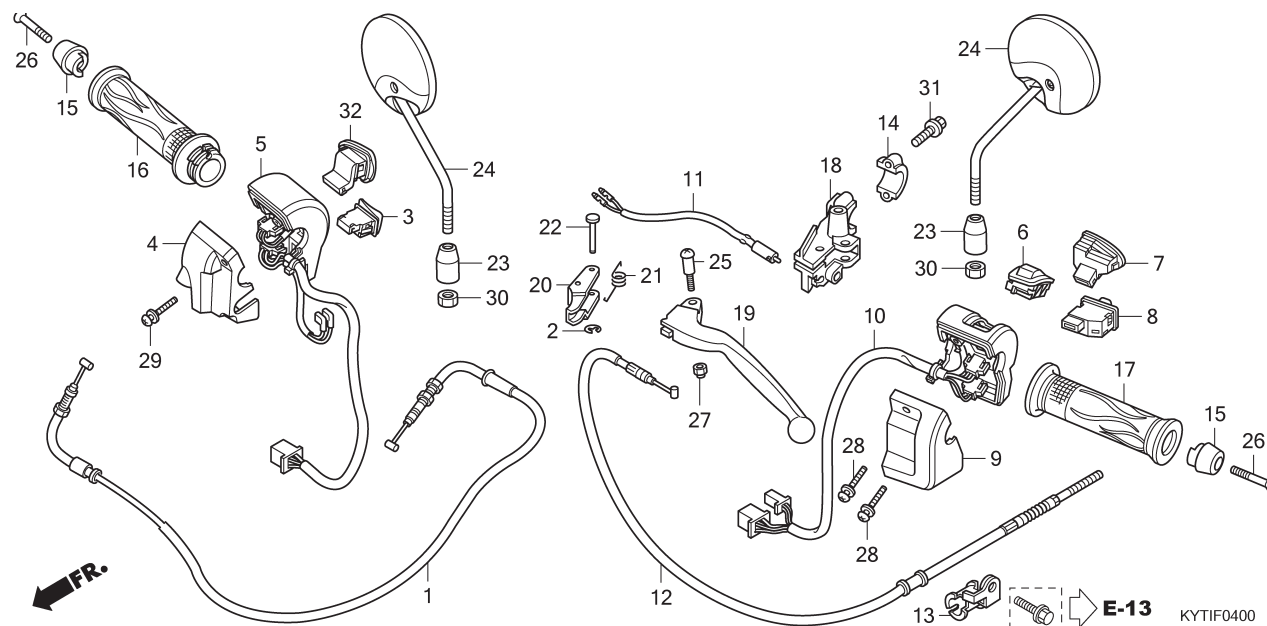
Service item	F.R.T.	No.	Part Number	Description	QTY	Notes
2 HEADLIGHT UNIT	0.4	1	32920-KYT-901	CLAMP, CORD	1	
5 SOCKET, HEADLIGHT.....	0.3	2	33110-KYT-941	HEADLIGHT UNIT	1	
7 BULB, HEADLIGHT.....	0.2	3	33113-MAT-611	PIPE, CP	1	
8 BULB, POSITION LIGHT.....	0.2	4	33114-KYT-900	NUT, SPECIAL	1	
9 RELAY, WINKER.....	0.3	5	33130-KYT-941	SOCKET COMP., HEADLIGHT	1	
		6	33140-KYT-901	SCREW COMP., ADJUSTER	1	
		7	34901-KPH-881	BULB, HEADLIGHT (12V 32/32W)	1	
		8	33301-SA0-741	BULB (12V 5W)	1	
		9	38301-GBG-911	RELAY COMP., WINKER	1	
		10	38306-GE7-000	SUSPENSION, WINKER RELAY	1	
		11	93901-34310	SCREW, TAPPING, 4X12	1	
		12	93903-34310	SCREW, TAPPING, 4X12	2	

F - 2 Speedometer



Service item	F.R.T.	No.	Part Number	Description	QTY	Notes
1 (2) BULB, METER	0.3	1	34908-GA7-701	BULB, WEDGE BASE (T10)	1	
3 SPEEDOMETER ASSEMBLY	0.6		34909-KVR-600	BULB, WEDGE BASE (T10)	1	
4 SPEEDOMETER	0.6	2	34908-KVE-900	BULB, WEDGE BASE (T10)	3	
5 LENS, METER	0.5		34908-MB9-871	BULB, WEDGE BASE (12V 1.7W)	3	
6 CASE, METER	0.5	3	37200-KVY-960	SPEEDOMETER ASSY.		
8 SOCKET, METER BULB	0.6	4	37210-KVY-961	SPEEDOMETER COMP.	1	
10 CABLE, SPEEDOMETER	0.3	5	37211-KVY-961	LENS	1	
13 COVER, SPEEDOMETER	0.5	6	37212-KVY-961	CASE ASSY.	1	
14 GARNISH, HANDLE :RIGHT	0.5	7	37224-KVY-961	SOCKET COMP.	1	
15 GARNISH, HANDLE :LEFT	0.5	8	37305-KE5-008	SCREW-WASHER, 3X22	3	
GARNISH, HANDLE :BOTH	0.5	9	38301-KEV-950	RELAY COMP., WINKER	1	
16 COVER, HANDLE :FRONT	0.1	10	38306-KK4-000	SUSPENSION, WINKER RELAY	1	
		11	44830-KVY-910	CABLE COMP., SPEEDOMETER	1	
		12	90035-166-008	SCREW-WASHER, SPECIAL, 4X10	2	
		13	90101-KY6-008	SCREW, TAPPING, 3X14	2	
		14	91352-671-003	O-RING, 8.5X1.5	1	
			91352-671-004	O-RING, 8.5X1.5	1	
		15	93903-25310	SCREW, TAPPING, 5X16	3	

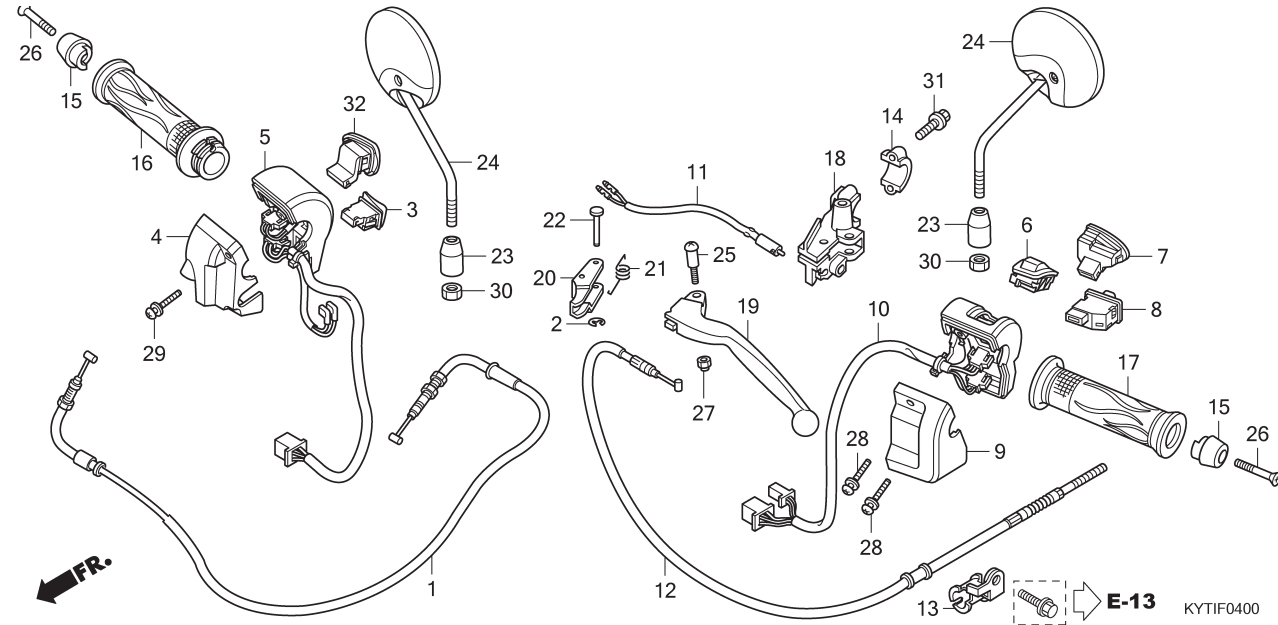
F - 3 Handle Lever/ Switch/ Cable



Service item	F.R.T.	No.	Part Number	Description	QTY	Notes
1 CABLE, THROTTLE	1	1	34908-GA7-701	BULB, WEDGE BASE (T10) (12V 3.4W)	1	
3 SWITCH, STARTER	0.3		34909-KVR-600	BULB, WEDGE BASE (T10) (12V 3.4W)	1	
5 HOUSING, STARTER SWITCH	0.6	2	34908-KVE-900	BULB, WEDGE BASE (T10) (12V 1.7W)	3	
			34908-MB9-871	BULB, WEDGE BASE (T10) (12V 1.7W)	3	
6 SWITCH, DIMMER	0.3	3	37200-KYT-941	SPEEDOMETER ASSY.	1	
7 SWITCH, HORN	0.3	4	37210-KYT-941	SPEEDOMETER COMP.	1	
8 SWITCH, WINKER	0.3	5	37211-KYT-901	LENS	1	
10 HOUSING, WINKER SWITCH	0.6	6	37212-KYT-941	CASE ASSY.	1	
11 SWITCH, REAR STOP :LEVER SIDE...	0.6	7	37215-KS3-901	CLAMP	1	
SWITCH, STOP :BOTH	0.7					
12 CABLE, REAR BRAKE	0.6	8	37224-KYT-941	SOCKET COMP.	1	
		9	37305-KE5-008	SCREW-WASHER, 3X22	3	
16 GRIP, THROTTLE	0.5	10	44830-KYT-900	CABLE COMP., SPEEDOMETER	1	
17 GRIP, HANDLE :LEFT	0.1					
19 LEVER, HANDLE :LEFT	0.2	11	44832-KYT-900	CLAMP, SPEEDOMETER CABLE	1	
LEVER, HANDLE :BOTH	0.3					
20 LEVER, PARKING LOCK	0.2	13	53206-KYT-900ZG	COVER B, SPEEDOMETER		
				NH341P PEARL FADELESS WHITE	1	
			53206-KYT-900ZH	*YR311M* TIRAMISU BEIGE METALLIC	1	
32 SWITCH, LIGHTING	0.3	14	53207-KYT-900ZE	GARNISH, R. HANDLE		
				NH341P PEARL FADELESS WHITE	1	
			53207-KYT-900ZF	*YR311M* TIRAMISU BEIGE METALLIC	1	
		15	53208-KYT-900ZE	GARNISH, L. HANDLE		
				NH341P PEARL FADELESS WHITE	1	
			53208-KYT-900ZF	*YR311M* TIRAMISU BEIGE METALLIC	1	

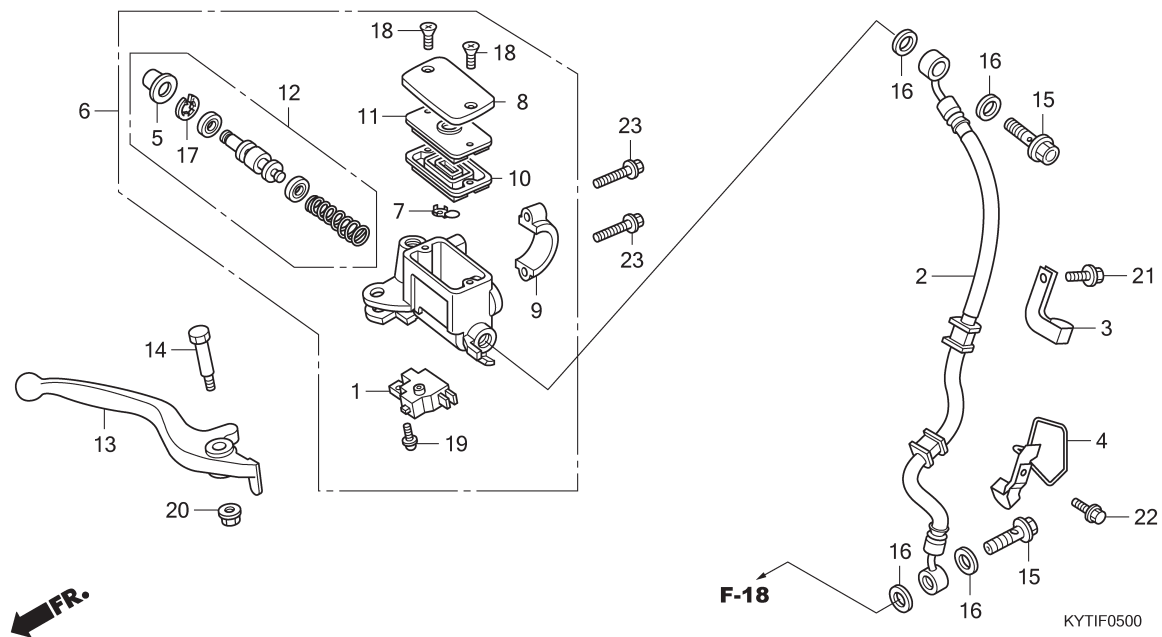
F - 3

Handle Lever/ Switch/ Cable



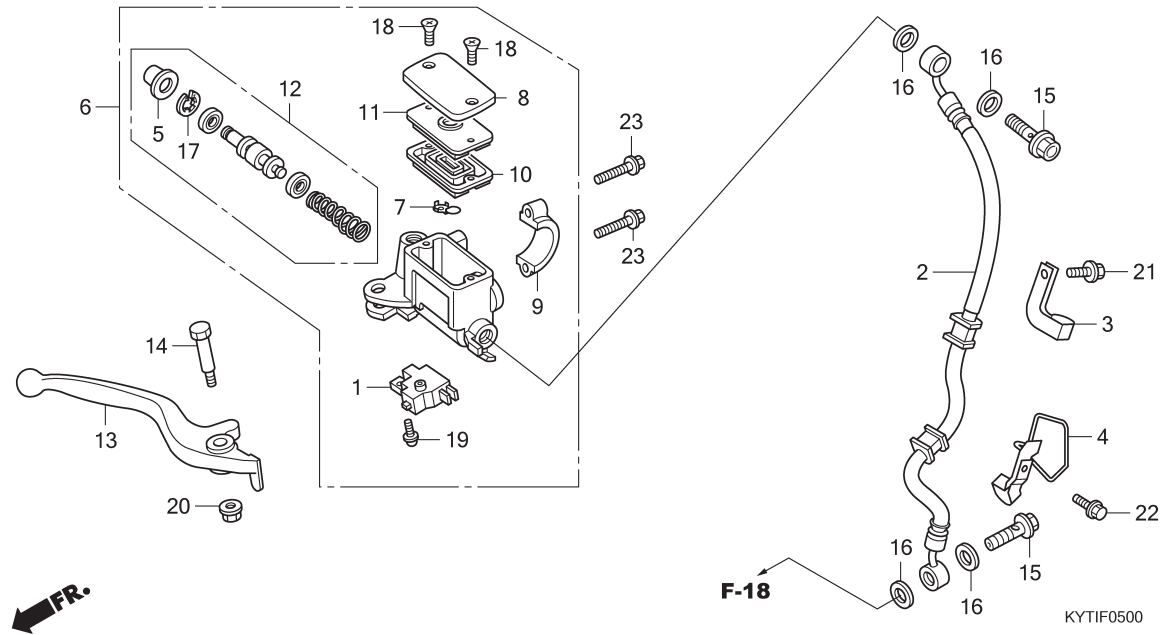
Service item	F.R.T.	No.	Part Number	Description	QTY	Notes
		16	53250-KYT-940ZA	COVER SET A, SPEEDOMETER (WL) *TYPE1*	1	
			53250-KYT-940ZB	*TYPE2*	1	
		17	86150-KPG-901	EMBLEM, PRODUCT (MARUI)	1	
			86150-KPG-902	EMBLEM, PRODUCT (UEHARA)	1	
		18	90035-166-008	SCREW-WASHER, SPECIAL, 4X10	2	
		19	90109-MZ5-008	SCREW, TAPPING, 4X14	1	
		20	90115-KW7-900	SCREW, VISOR SPECIAL SETTING	1	
		21	91256-KK3-840	O-RING, 10X1.5	1	
		22	91422-KVB-900	SCREW, SPECIAL PAN, 5MM	2	
		23	91540-KPH-902	CLIP, HARNESS BAND	1	
		24	93903-25310	SCREW, TAPPING, 5X16	5	
		25	93903-34210	SCREW, TAPPING, 4X10	2	
		26	95701-06012-00	BOLT, FLANGE, 6X12	1	

F - 4 Fr. Brake Master Cylinder



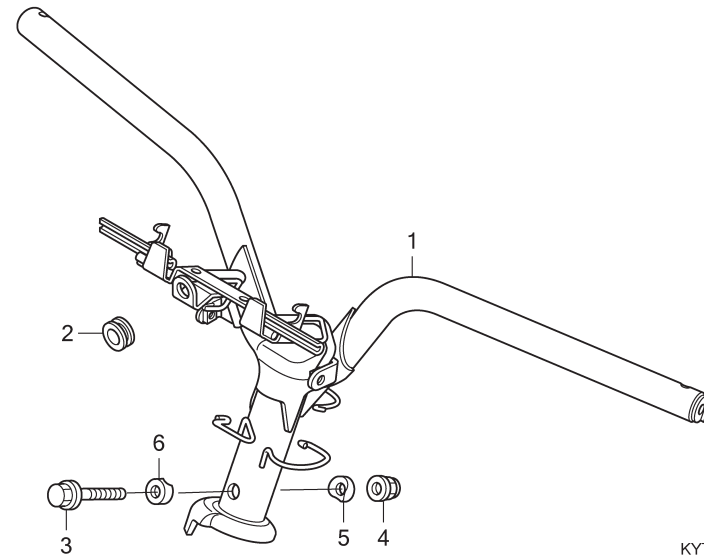
Service item	F.R.T.	No.	Part Number	Description	QTY	Notes
1 SWITCH, FRONT STOP	0.2	1	17910-KYT-941	CABLE COMP., THROTTLE	1	
SWITCH, STOP :BOTH	0.7	2	30158-GW3-980	E-RING, 3MM	1	
2 HOSE, FRONT BRAKE	0.6	3	35160-KWW-A01	SWITCH UNIT, STARTER	1	
.INCLUDES: Bleed brakes			35160-KWW-B21	SWITCH UNIT, STARTER	1	
			35160-KWW-711	SWITCH UNIT, STARTER	1	
6 CYLINDER, FRONT BRAKE MASTER	0.7	4	35162-KYT-902ZE	HOUSING, STARTER SWITCH RR.		
.INCLUDES: Bleed brakes				*NH167MU* IRON NAIL SILVER METALLIC-U	1	
10 DIAPHRAGM, FRONT BRAKE		5	35165-KYT-941ZA	HOUSING COMP., STARTER SWITCH		
MASTER CYLINDER	0.1			*NH167MU* IRON NAIL SILVER METALLIC-U	1	
12 PISTON SET, FRONT BRAKE MASTER	0.7	6	35170-KWW-A02	SWITCH UNIT, DIMMER	1	
.INCLUDES: Bleed brakes			35170-KWW-B22	SWITCH UNIT, DIMMER	1	
13 LEVER, HANDLE :RIGHT	0.1		35170-KWW-602	SWITCH UNIT, DIMMER	1	
LEVER, HANDLE :BOTH	0.3	7	35180-KWW-A01	SWITCH UNIT, HORN	1	
			35180-KWW-B21	SWITCH UNIT, HORN	1	
			35180-KWW-601	SWITCH UNIT, HORN	1	
		8	35200-KWW-A01	SWITCH UNIT, WINKER	1	
			35200-KWW-B21	SWITCH UNIT, WINKER	1	
			35200-KWW-601	SWITCH UNIT, WINKER	1	
		9	35202-KYT-902ZE	HOUSING, WINKER SWITCH RR.		
				NH167MU IRON NAIL SILVER METALLIC-U	1	
		10	35205-KYT-902ZE	HOUSING COMP., WINKER SWITCH		
				NH167MU IRON NAIL SILVER METALLIC-U	1	
		11	35340-KYT-901	SWITCH ASSY., RR. STOP	1	
		12	43450-KYT-900	CABLE COMP., RR. BRAKE	1	

F - 4 Fr. Brake Master Cylinder



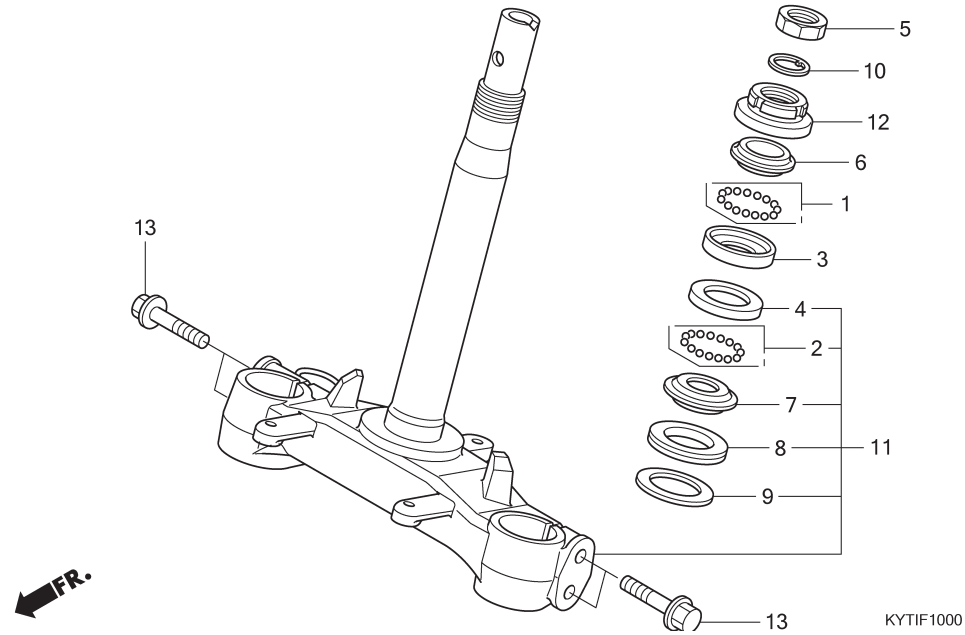
Service item	F.R.T.	No.	Part Number	Description	QTY	Notes
		13	43455-KVB-900	CLAMPER, RR. BRAKE CABLE	1	
		14	45517-KEJ-900	HOLDER, MASTER CYLINDER	1	
		15	53102-KYT-900	WEIGHT A, HANDLE	2	
		16	53140-KYT-940ZA	GRIP COMP., THROTTLE *TYPE1*	1	
		17	53166-KYT-900ZC	GRIP, L. HANDLE *TYPE1*	1	
		18	53172-KYT-900	BRACKET, L. HANDLE LEVER	1	
		19	53178-KYT-900	LEVER, L. STEERING HANDLE	1	
		20	53181-KWN-900	LEVER COMP., BRAKE LOCK	1	
		21	53182-KVB-900	SPRING, RETURN LEVER	1	
		22	53183-KVB-900	PIN, PARKING LEVER PIVOT	1	
		23	88113-KCJ-660	CAP, LOCK NUT	2	
		24	88210-KYT-940ZA	MIRROR COMP.		
				NH341P PEARL FADELESS WHITE	2	
				P101P PEARL ODYSSEY VIOLET	2	
		25	90115-KYT-940	SCREW,HANDLE LEVER PIVOT	1	
		26	90191-KWB-600	SCREW, OVAL, 6X45	2	
		27	90302-KVB-T01	NUT, U, 5MM	1	
		28	93892-05020-00	SCREW-WASHER, 5X20	2	
		29	93892-05025-00	SCREW-WASHER, 5X25	2	
		30	94002-10000-0S	NUT, HEX., 10MM	2	
		31	96001-06022-00	BOLT, FLANGE, 6X22	2	
		32	35150-KWW-A01	SWITCH UNIT, LIGHTING	1	
			35150-KWW-B21	SWITCH UNIT, LIGHTING	1	

F - 5 Handle Pipe



Service item	F.R.T.	No.	Part Number	Description	QTY	Notes
1 PIPE, STEERING HANDLE.....	1.2	1	53100-KYT-900	PIPE COMP., STEERING HANDLE	1	
		2	83551-MB9-000	GROMMET	1	
		3	90106-GN5-900	BOLT, FLANGE, 10X50	1	
		4	90304-KGH-901	NUT, U, 10MM	1	
		5	90501-KPH-880	COLLAR A, HANDLE SETTING	1	
		6	90505-KPH-880	COLLAR B, HANDLE SETTING	1	

F - 6 Steering Stem

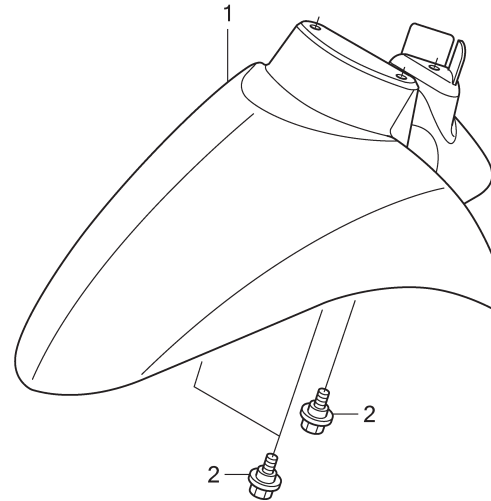


KYTIF1000

Service item	F.R.T.	No.	Part Number	Description	QTY	Notes
3 RACE, STEERING BALL :UPPER	1.7	1	06530-GBG-B20	BALL SET, STEEL, #6X23	1	
4 RACE, STEERING BALL :LOWER	1.7	2	06531-GBG-B20	BALL SET, STEEL, #6X29	1	
RACE, STEERING BALL :BOTH	1.7	3	50301-GN5-901	RACE, STEERING TOP BALL	1	
6 RACE, STEERING TOP CONE	1.3	4	50302-GN5-900	RACE, STEERING BOTTOM BALL	1	
7 (8,9) RACE, STEERING		5	50306-GN5-900	NUT, STEERING STEM LOCK	1	
BOTTOM CONE	1.3	6	53211-GN5-900	RACE, STEERING TOP CONE	1	
		7	53212-GN5-900	RACE, STEERING BOTTOM CONE	1	
11 STEM OR SHAFT ASSY., STEERING..	1.7	8	53214-GN5-900	DUST SEAL, STEERING HEAD	1	
12 THREAD, STEERING HEAD TOP	1.3	9	53215-GN5-900	WASHER, STEERING HEAD DUST SEAL	1	
		10	53216-GN5-830	WASHER, STEERING STEM NUT	1	
		11	53219-KYT-940	STEM SUB ASSY., STEERING	1	
		12	53220-GN5-900	THREAD COMP., STEERING HEAD TOP	1	
		13	95801-10040-08	BOLT, FLANGE, 10X40	4	

3

F - 7 Front Fender

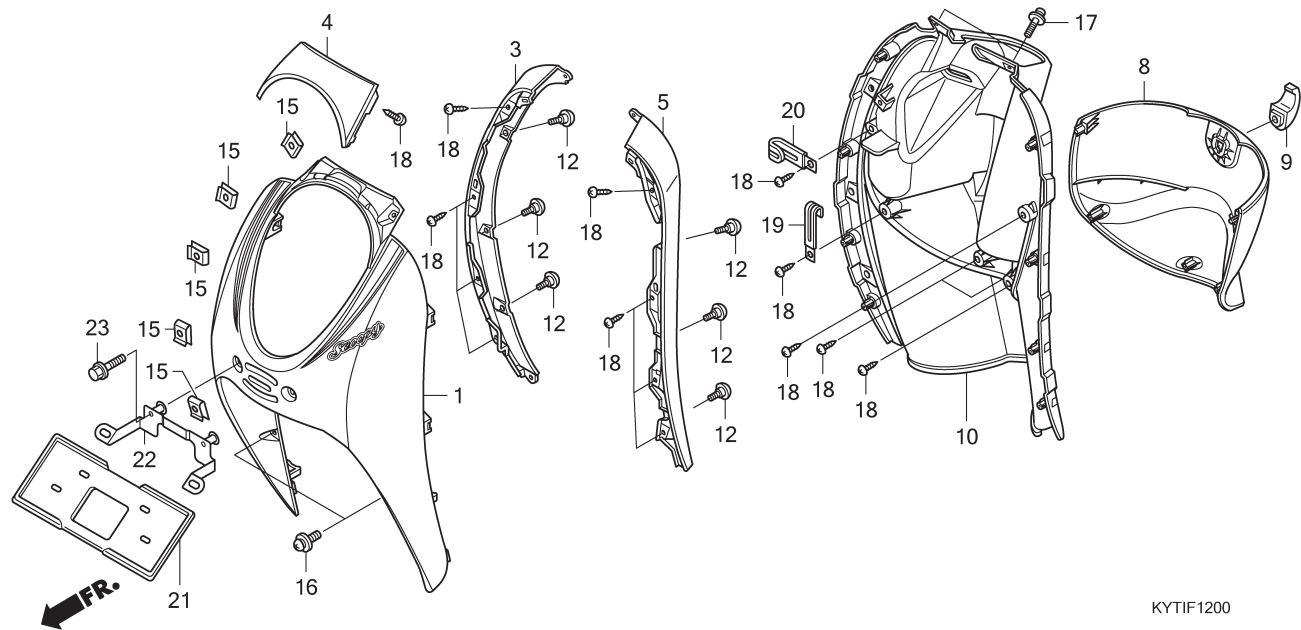


KYTIF1100

3

Service item	F.R.T.	No.	Part Number	Description	QTY	Notes	
1 FENDER, FRONT	0.2	1	61100-KYT-940ZA	FENDER, FR.			
				NH341P	PEARL FADELESS WHITE	1	
				P101P	PEARL ODYSSEY VIOLET	1	
			61100-KYT-940ZC	*RP188P*	PEARL MILKSHAKE PINK	1	
		2	90116-KVB-900	BOLT, FLANGE, 6MM	3		

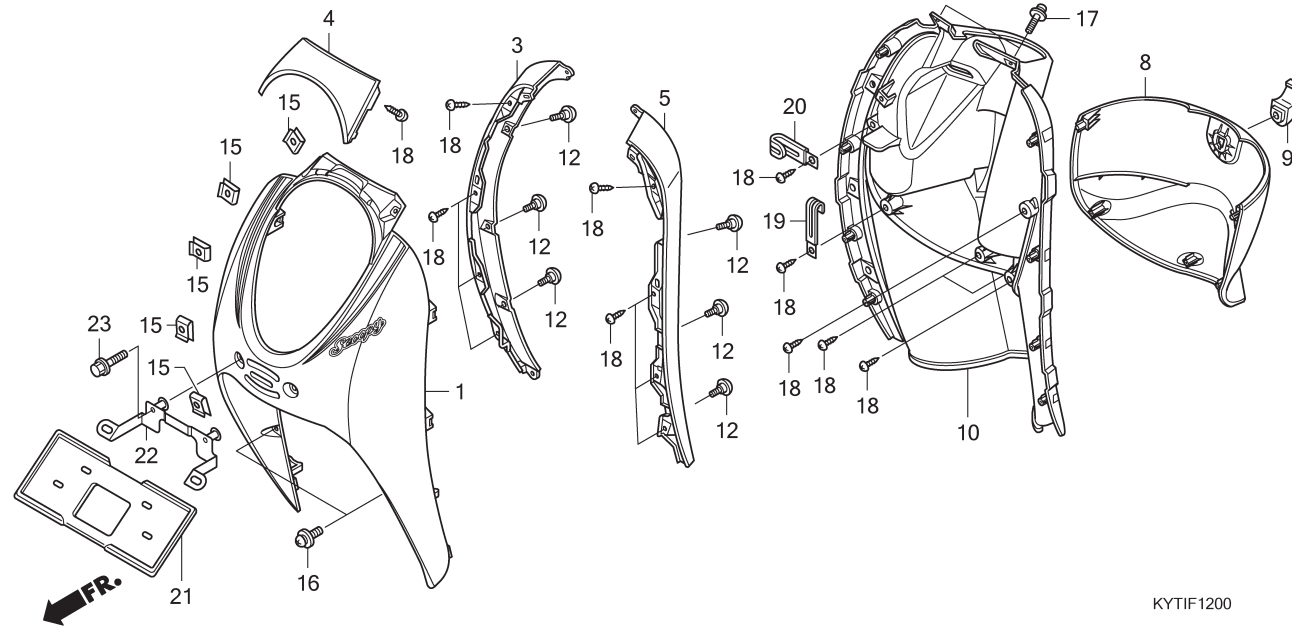
F - 8 Front Cover



KYTIF1200

Service item	F.R.T.	No.	Part Number	Description	QTY	Notes
1 COVER, FRONT	0.3	1	64300-KYT-940ZA	COVER SET, FR. (WL)	1	
3 COVER, FRONT SIDE :RIGHT	0.3			*TYPE1*	1	
4 COVER, FRONT TOP	0.3		64300-KYT-940ZB	*TYPE2*	1	
5 COVER, FRONT SIDE :LEFT	0.3		64300-KYT-940ZC	*TYPE3*	1	
COVER, FRONT SIDE :BOTH	0.4	3	64420-KYT-900ZG	MOLDING, R.		
				NH177M VOSTOK SILVER METALLIC	1	
8 BOX, INNER	0.4		64420-KYT-900ZH	*YR312P* PEARL ESPRESSO BROWN	1	
10 PANEL, INNER	0.5	4	64425-KYT-900ZG	COVER, FR. UPPER		
				NH177M VOSTOK SILVER METALLIC	1	
			64425-KYT-900ZH	*YR312P* PEARL ESPRESSO BROWN	1	
		5	64430-KYT-900ZG	MOLDING, L.		
				NH177M VOSTOK SILVER METALLIC	1	
			64430-KYT-900ZH	*YR312P* PEARL ESPRESSO BROWN	1	
		8	81131-KYT-900ZL	COVER, INNER RACK		
				NH341P PEARL FADELESS WHITE	1	
			81131-KYT-900ZM	*P101P* PEARL ODYSSEY VIOLET	1	
			81131-KYT-900ZN	*RP188P* PEARL MILKSHAKE PINK	1	
		9	81132-GAH-000ZW	HOOK, LUGGAGE		
				NH1 BLACK	1	
		10	81141-KYT-900ZG	COVER, INNER		
				NH341P PEARL FADELESS WHITE	1	
			81141-KYT-900ZH	*YR311M* TIRAMISU BEIGE METALLIC	1	

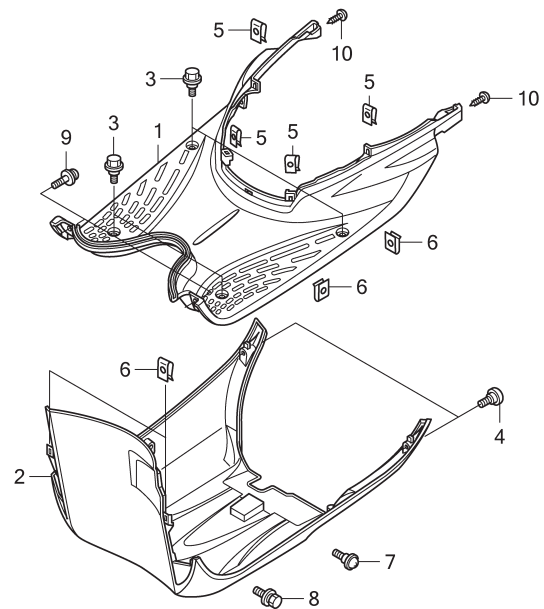
F - 8 Front Cover



KYTIF1200

Service item	F.R.T.	No.	Part Number	Description	QTY	Notes
		12	90104-KPH-900	SCREW, SPECIAL, 5MM	6	
		14	90107-KVB-900	BOLT, SPECIAL, 6MM	1	
		15	90677-KAN-T00	NUT, CLIP, 5MM	10	
		16	90117-KVG-A20	SCREW, PAN, 5X13	2	
		17	93891-05016-07	SCREW-WASHER, 5X16	2	
		18	93903-34310	SCREW, TAPPING, 4X12	16	
		19	94591-27000	CLIP, 2X70	1	
		20	94591-41000	CLIP, 4X100	1	
		21	61316-KYT-940	GUARD, NUMBER PLATE	1	
		22	81110-KYT-940	BRACKET, FR. NUMBER PLATE	1	
		23	95701-06032-00	BOLT, FLANGE, 6X32	2	

F - 9 Floor Panel

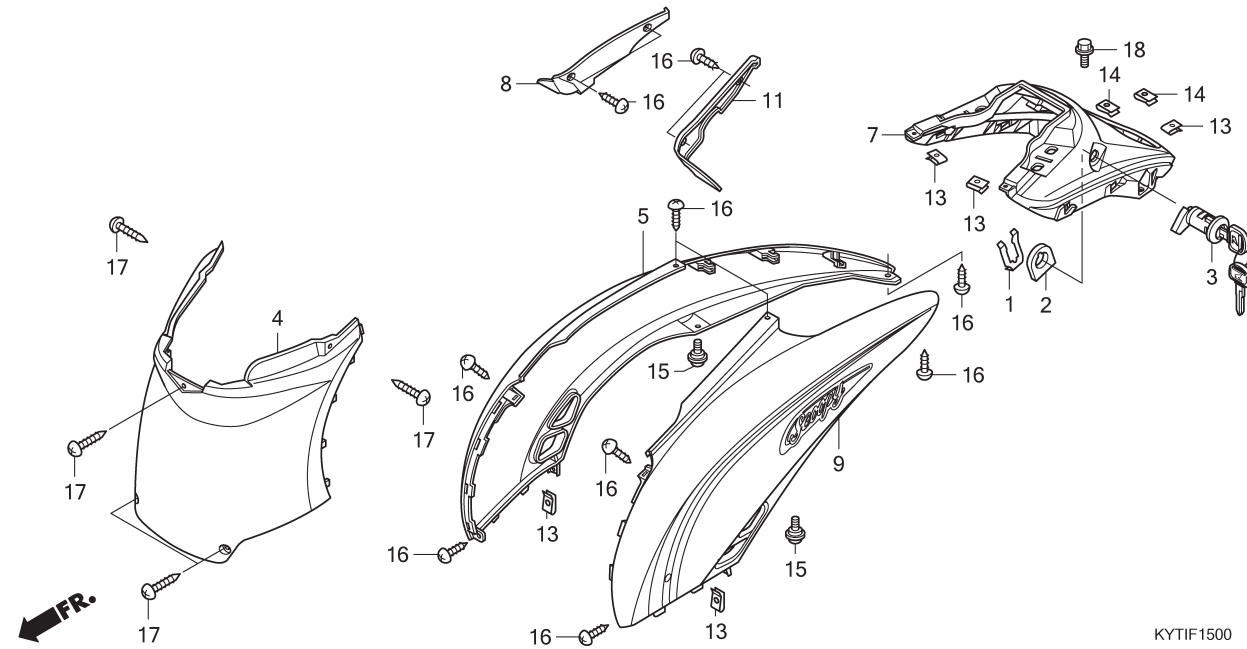


Service item	F.R.T.	No.	Part Number	Description	QTY	Notes
1 STEP, FLOOR	0.3	1	64310-KYT-900ZD	STEP, FLOOR		
2 COVER, UNDER	0.4	2	64340-KYT-900ZA	COVER, UNDER	1	
				NH1 BLACK		
		3	90107-KVB-900	BOLT, SPECIAL, 6MM	4	
		4	90115-KW7-900	SCREW, VISOR SPECIAL SETTING	2	
		5	90302-KWW-A00	NUT, SPRING, 4MM	4	
		6	90677-KAN-T00	NUT, CLIP, 5MM	6	
		7	91509-GE2-760	SCREW, PAN, 5X11.5	2	
		8	93404-06012-07	BOLT-WASHER, 6X12	2	
		9	93891-05016-07	SCREW-WASHER, 5X16	2	
		10	93903-24380	SCREW, TAPPING, 4X12	2	

3

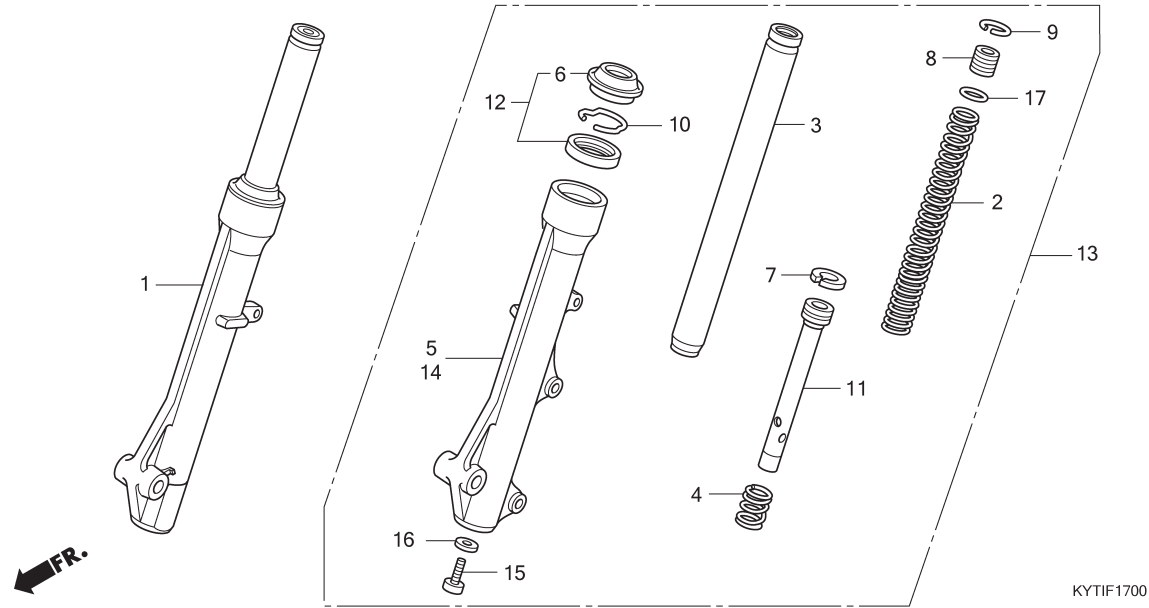
F - 10

Body Cover



Service item	F.R.T.	No.	Part Number	Description	QTY	Notes
3 LOCK, SEAT	0.4	1	75581-GN8-920	SPRING, LOCK KEY SETTING	1	
4 COVER, BODY :CENTER	0.1	2	77236-KYT-900	WASHER, SEAT LOCK	1	
5 COVER, BODY :RIGHT	0.2	3	77240-KTM-851	LOCK ASSY., SEAT	1	
7 COVER, REAR CENTER	0.4	4	80151-KYT-900ZG	COVER, CENTER		
9 COVER, BODY :LEFT	0.2		80151-KYT-900ZH	*NH341P* PEARL FADELESS WHITE	1	
COVER, BODY :BOTH	0.3		80151-KYT-900ZH	*YR311M* TIRAMISU BEIGE METALLIC	1	
		5	83450-KYT-940ZA	COVER SET, R. BODY (WL)		
			83450-KYT-940ZB	*TYPE1*	1	
			83450-KYT-940ZC	*TYPE2*	1	
			83450-KYT-940ZC	*TYPE3*	1	
		7	83520-KYT-940ZA	COVER SET, RR. CENTER (WL)		
			83520-KYT-940ZA	*TYPE1*	1	
			83520-KYT-940ZB	*TYPE2*	1	
		8	83540-KYT-940	GUARD, R. DUST	1	
		9	83550-KYT-940ZA	COVER SET, L. BODY (WL)		
			83550-KYT-940ZA	*TYPE1*	1	
			83550-KYT-940ZB	*TYPE2*	1	
			83550-KYT-940ZC	*TYPE3*	1	
		11	83640-KYT-940	GUARD, L. DUST	1	
		13	90302-KWW-A00	NUT, SPRING, 4MM	6	
		14	90677-KAN-T00	NUT, CLIP, 5MM	4	
		15	91509-GE2-760	SCREW, PAN, 5X11.5	2	
		16	93903-24380	SCREW, TAPPING, 4X12	12	
		17	93903-24480	SCREW, TAPPING, 4X16	5	
		18	95701-06010-00	BOLT, FLANGE, 6X10	2	

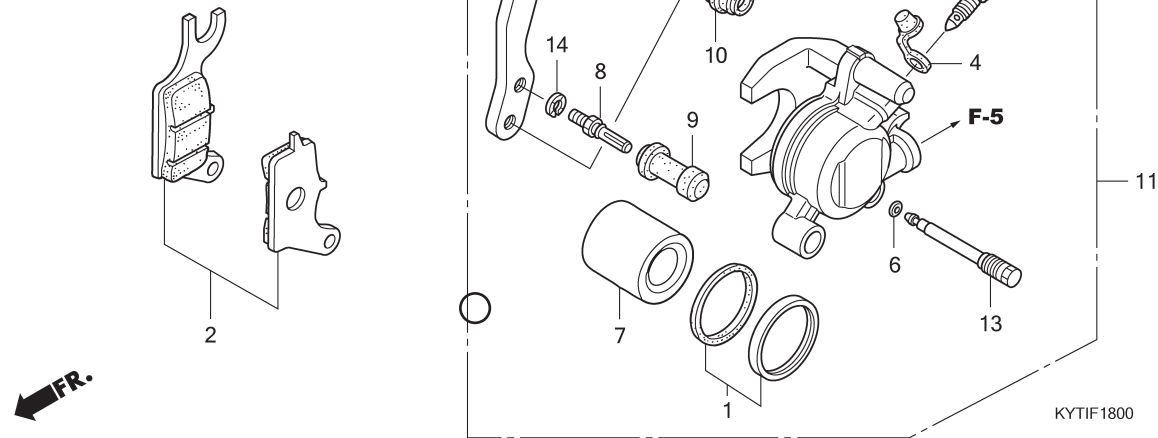
F - 11 Front Fork



Service item	F.R.T.	No.	Part Number	Description	QTY	Notes
1 FORK ASSY., FRONT :RIGHT.....	0.4	1	51400-KYT-941	FORK ASSY., R. FR.	1	
2 SPRING, FRONT FORK :LEFT.....	0.6	2	51401-KVY-731	SPRING, FR. FORK	2	
SPRING, FRONT FORK :RIGHT.....	0.6	3	51410-KVY-731	PIPE COMP., FR. FORK	2	
SPRING, FRONT FORK :BOTH.....	0.9	4	51412-GN5-901	SPRING, REBOUND	2	
3 (4,7,11) PIPE, FRONT FORK :LEFT....	0.8	5	51420-KYT-941	CASE, R. FR. BOTTOM	1	
PIPE, FRONT FORK :RIGHT.....	0.8	6	51425-GN5-901	SEAL, DUST	2	
PIPE, FRONT FORK :BOTH.....	1.3	7	51437-KWB-601	RING, PISTON	2	
5 CASE, BOTTOM :RIGHT.....	0.9	8	51454-KEV-881	SEAT B, SPRING	2	
12 SEAL SET, FRONT FORK :LEFT.....	0.9	9	51456-KPH-901	RING, STOPPER	2	
SEAL SET, FRONT FORK :RIGHT.....	0.9	10	51466-065-901	RING, OIL SEAL STOPPER	2	
SEAL SET, FRONT FORK :BOTH.....	1.5	11	51470-KVY-731	PIPE, SEAT	2	
13 FORK ASSY., FRONT :LEFT.....	0.4	12	51490-KGH-901	SEAL SET, FR. FORK	2	
FORK ASSY., FRONT :BOTH.....	0.5	13	51500-KYT-941	FORK ASSY., L. FR.	1	
14 CASE, BOTTOM :LEFT.....	0.9	14	51520-KYT-941	CASE, L. FR. BOTTOM	1	
CASE, BOTTOM :BOTH.....	1.5	15	90116-KV3-701	BOLT, SOCKET, 8MM	2	
		16	90544-283-000	WASHER, SPECIAL, 8MM	2	
		17	91356-GM0-003	O-RING	2	

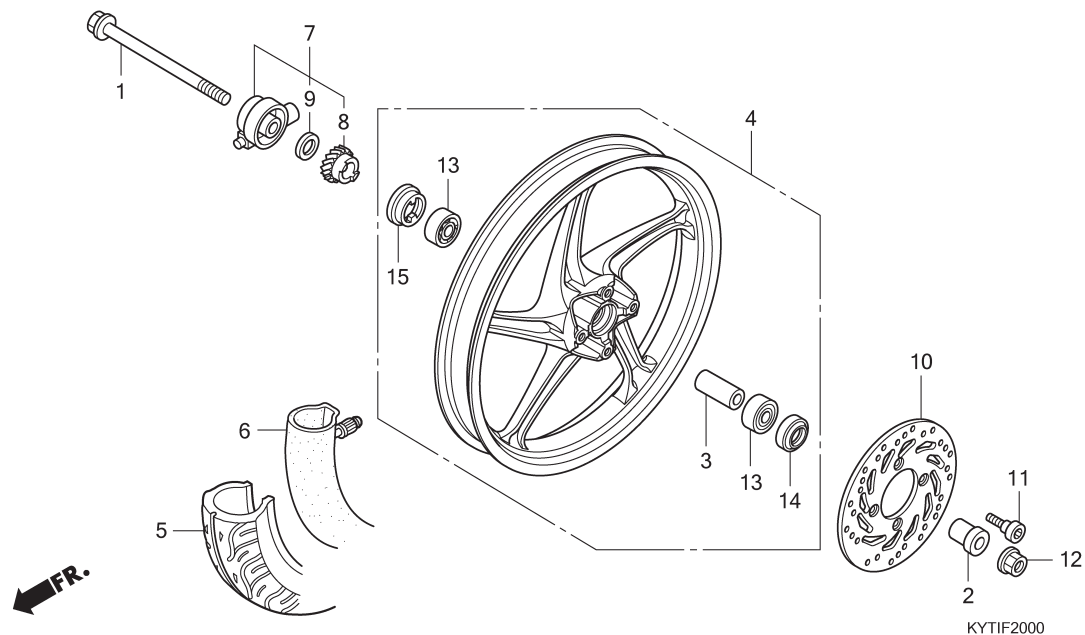
F - 12

Front Brake Caliper



Service item	F.R.T.	No.	Part Number	Description	QTY	Notes
2 SHOE(PAD) SET, BRAKE :FRONT.....	0.1	1	06451-MA7-405	SEAL SET, PISTON	1	
		2	06455-KVB-T01	PAD SET, FR. BRAKE	1	
7 (1) PISTON, FRONT BRAKE CALIPER	0.5	3	43352-568-003	SCREW, BLEEDER	1	
11 CALIPER, FRONT BRAKE :LEFT.....	0.4	4	43353-461-771	CAP, BLEEDER	1	
		5	45108-KVB-T01	SPRING, PAD	1	
12 BRACKET, FRONT CALIPER.....	0.2	6	45111-MAJ-G41	RING, STOPPER	1	
		7	45118-KVB-T01	PISTON	1	
		8	45131-GZ0-006	BOLT, PIN	1	
		9	45132-166-016	BOOT, PIN BUSH	1	
		10	45133-MA3-006	BOOT B	1	
		11	45150-KVB-T01	CALIPER SUB ASSY., L. FR.	1	
		12	45190-KVB-T01	BRACKET SUB ASSY., FR. CALIPER	1	
		13	45215-KPH-951	PIN, HANGER	1	
		14	45216-166-006	WASHER, WAVE	1	
		15	90131-KPH-880	BOLT, TORX, 8X25	2	

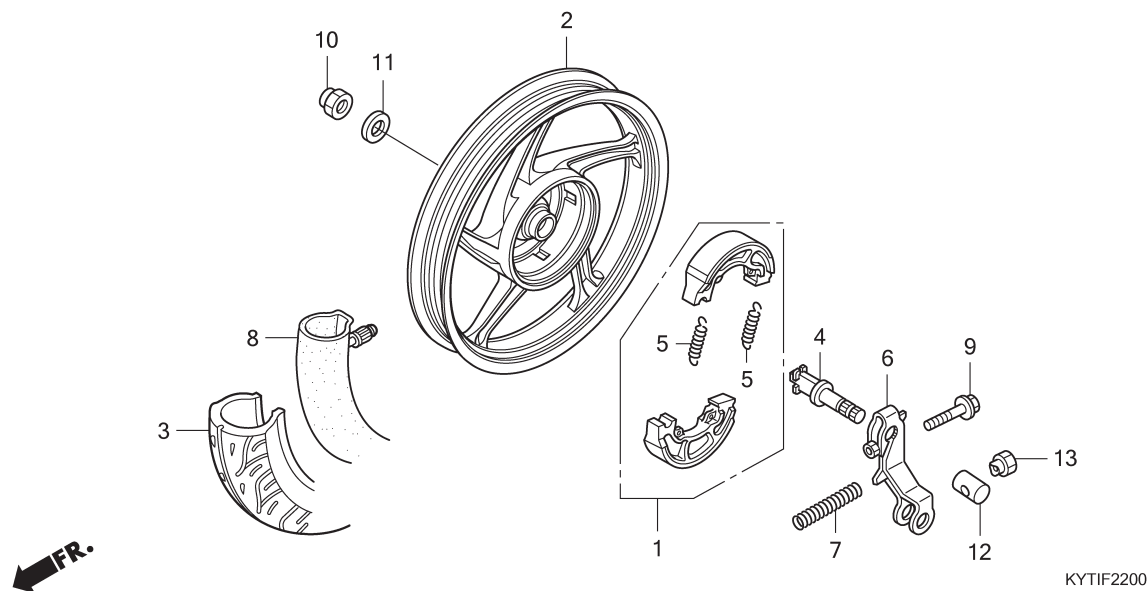
F - 13 Front Wheel



Service item	F.R.T.	No.	Part Number	Description	QTY	Notes
1 AXLE, FRONT WHEEL.....	0.2	1	44301-GN5-900	AXLE, FR. WHEEL	1	
4 FRONT WHEEL.....	0.8	2	44311-KVB-910	COLLAR, FR. WHEEL SIDE	1	
5 FRONT TIRE(ONE).....	0.7	3	44620-KVB-910	COLLAR, FR. DISTANCE	1	
6 TUBE, FRONT TIRE(ONE).....	0.7	4	44650-KYT-940ZA	WHEEL SUB ASSY., FR.		
7 GEARBOX ASSY., SPEEDOMETER....	0.2	5	44711-KVB-931	*NH196* ROSS WHITE	1	
10 DISC, FRONT BRAKE.....	0.3	6	44712-KVB-931	TIRE, FR. (80/90-14 M/C 40P)	1	
13 (3) BEARING, FRONT WHEEL(ONE).... .Replace 1 bearing add	0.4 0.1	7	44800-KVB-910	TUBE, TIRE	1	
		8	44806-KVB-911	BOX ASSY., SPEEDOMETER GEAR	1	
		9	44809-KFM-900	GEAR, SPEEDOMETER (21T)	1	
		10	45351-KVB-931	WASHER, SPEEDOMETER GEAR	1	
			45351-KVB-S02	DISK, FR. BRAKE (YUTAKA)	1	
			45351-KVY-961	DISK, FR. BRAKE (SUNSTAR)	1	
				DISK, FR. BRAKE (YUTAKA)	1	
		11	90105-KGH-900	BOLT, BRAKE DISK, 8X24	4	
		12	90306-KGH-901	NUT, U, 12MM	1	
		13	91052-KVB-901	BEARING, RADIAL BALL, 6201(U)	2	
			91052-KWB-601	BEARING, RADIAL BALL, 6201U	2	
		14	91251-KPH-901	DUST SEAL, 21X37X7	1	
		15	91258-KM1-004	SEAL, SPEEDOMETER GEAR BOX	1	

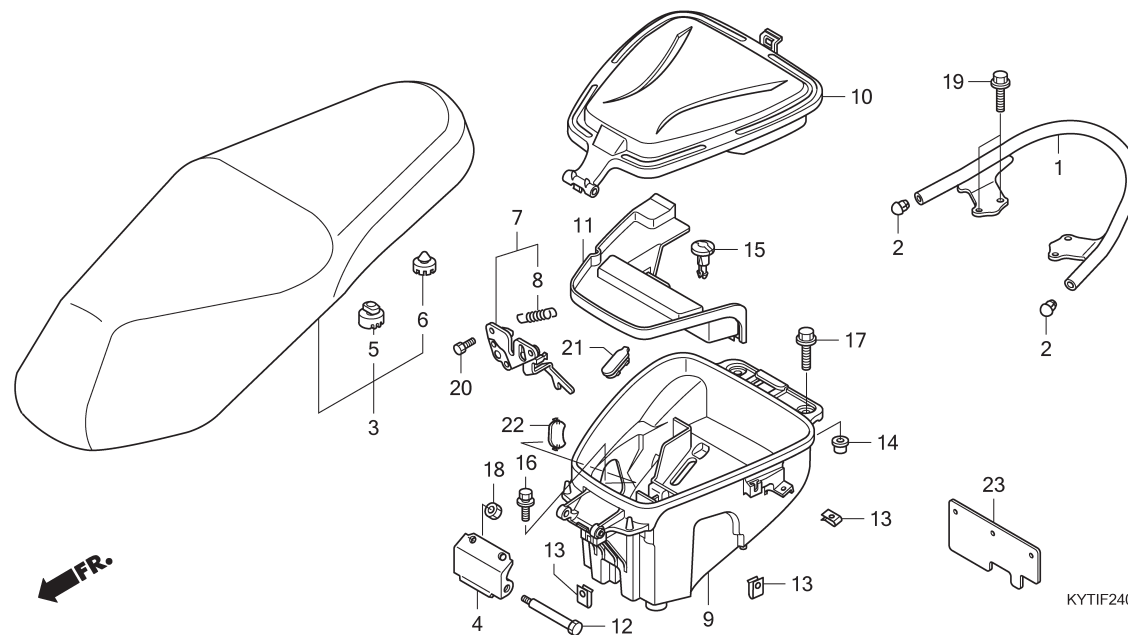
F - 14

Rear Wheel



Service item	F.R.T.	No.	Part Number	Description	QTY	Notes
1 SHOE(PAD) SET, BRAKE :REAR.....	0.4	1	06430-KVB-930	SHOE SET, BRAKE	1	
2 REAR WHEEL	0.8	2	42601-KVB-946ZB	WHEEL COMP., RR.		
3 REAR TIRE(ONE)	0.8			*NH196*..... ROSS WHITE	1	
4 CAM, BRAKE :REAR	0.5		42601-KVG-911ZD	WHEEL COMP., RR.		
				NH196..... ROSS WHITE	1	
6 ARM, BRAKE :REAR	0.5		42601-KYT-942ZA	WHEEL COMP., RR.		
8 TUBE, REAR TIRE(ONE)	0.8			*NH196*..... ROSS WHITE	1	
			42601-KYT-943ZA	WHEEL COMP., RR.		
				NH196..... ROSS WHITE	1	
		3	42711-KVB-931	TIRE, RR. (90/90-14M/C 46P)	1	
		4	43141-KVB-900	CAM, RR. BRAKE	1	
		5	43151-329-000	SPRING, BRAKE SHOE	2	
		6	43410-KYT-900	ARM, RR. BRAKE	1	
		7	43472-KVB-900	SPRING, RR. BRAKE ARM	1	
		8	44712-KVB-931	TUBE, TIRE (SRI)	1	
		9	90112-KVB-900	BOLT, FLANGE, 6X32	1	
		10	90305-KVB-901	NUT, U, 16MM	1	
		11	90501-KBN-900	WASHER, 16MM	1	
		12	95015-32001	JOINT B, BRAKE ARM	1	
		13	95015-42000	NUT B, BRAKE ROD ADJUSTING	1	

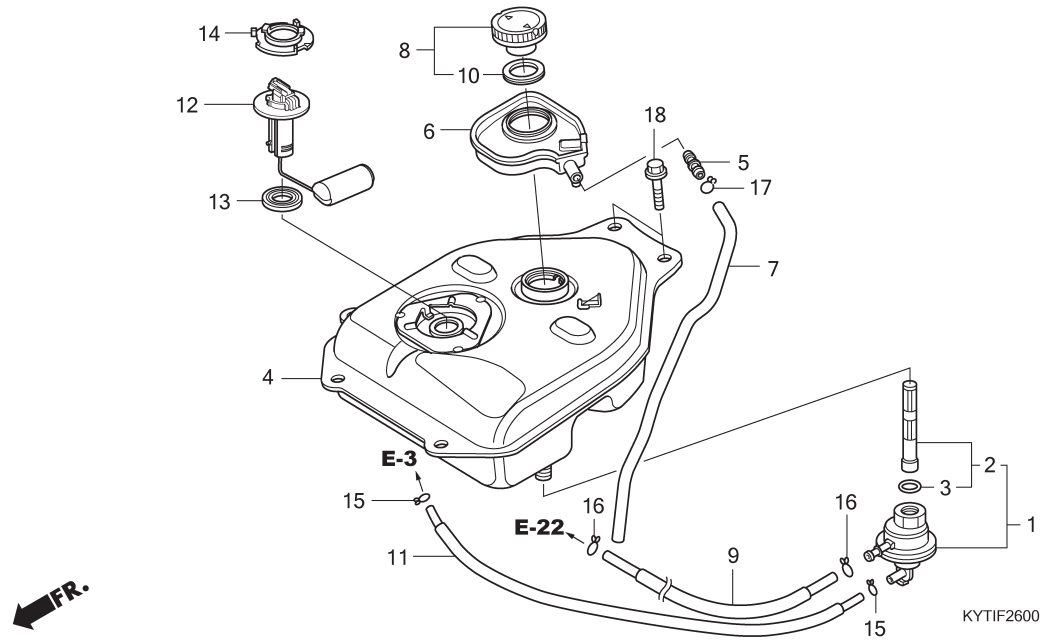
F - 15 Seat



Service item	F.R.T.	No.	Part Number	Description	QTY	Notes
1 RAIL, GRAB :REAR	0.1	1	50410-KYT-940	PIPE, RR. GRIP	1	
3 SEAT :DOUBLE	0.1	2	50415-KYT-940	CAP, RR. GRAB END	2	
7 CATCH, SEAT :REAR SIDE	0.4	3	77200-KYT-940	SEAT COMP., DOUBLE	1	
9 BOX, LUGGAGE	0.4	4	77201-KVG-900	HINGE, SEAT	1	
10 LID, LUGGAGE BOX	0.1	5	77214-KPH-900	RUBBER B, SEAT SETTING	2	
		6	77215-KW7-900	RUBBER C, SEAT SETTING	2	
		7	77230-KYT-901	CATCH COMP., SEAT	1	
		8	77234-GN2-000	SPRING, SEAT LOCK	1	
		9	81250-KYT-940	BOX, LUGGAGE	1	
		10	81251-KYT-900	COVER, LUGGAGE BOX	1	
		11	81255-KYT-940	COVER, BATTERY	1	
		12	90105-KVG-900	BOLT, SEAT HINGE	1	
		13	90302-KWW-A00	NUT, SPRING, 4MM	5	
		14	90501-KVY-700	COLLAR, LUGGAGE SET	2	
		15	90683-GAZ-003	CLIP, TRIM	1	
		16	93404-06010-00	BOLT-WASHER, 6X10	2	
		17	95701-06020-00	BOLT, FLANGE, 6X20	2	
		18	94001-06000-0S	NUT, HEX., 6MM	2	
		19	95701-08016-00	BOLT, FLANGE, 8X16	4	
		20	96001-06012-00	BOLT, FLANGE, 6X12	2	
		21	81252-KVY-900	CAP, LUGGAGE BOX	1	
		22	81254-KVY-960	CAP, LUGGAGE SIDE	1	
		23	80107-KYT-940	GUARD, HEAT	1	

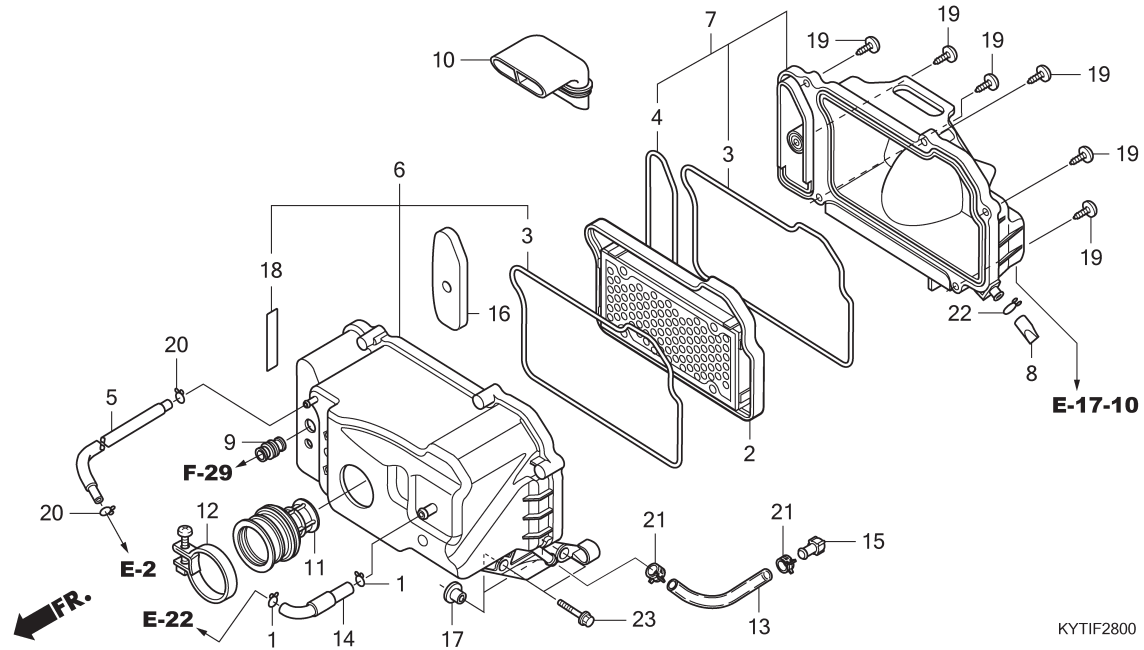
3

F - 16 Fuel Tank



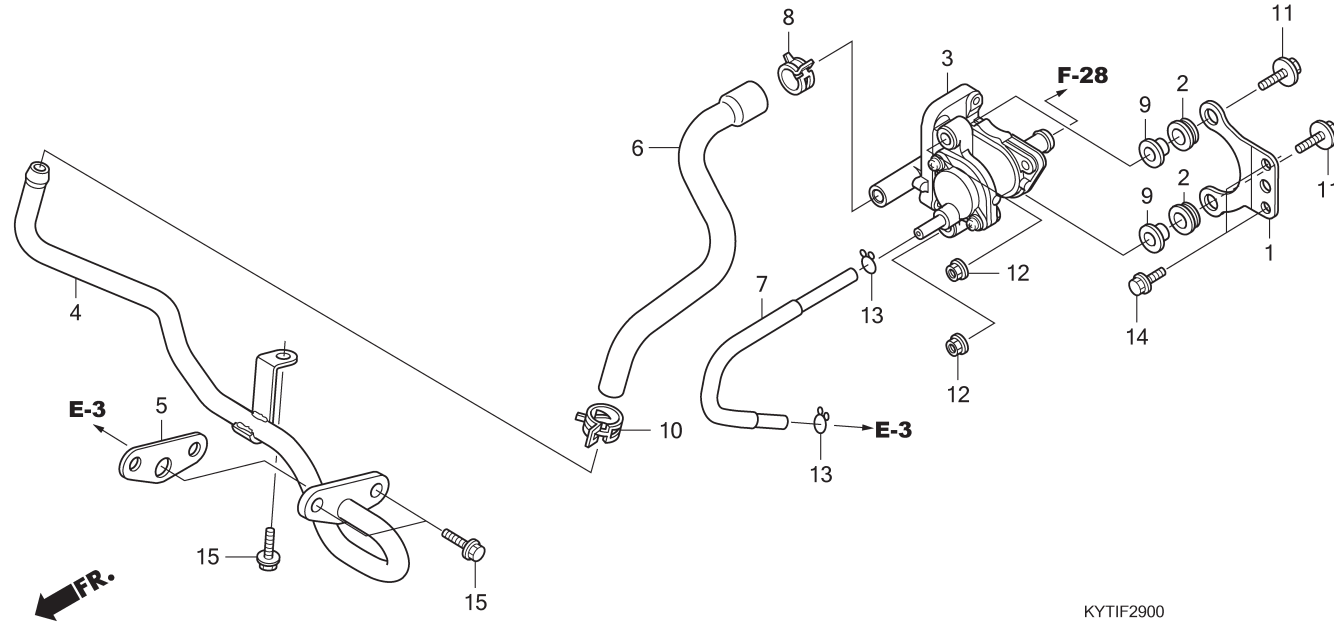
Service item	F.R.T.	No.	Part Number	Description	QTY	Notes
1 COCK, FUEL AUTO	0.5	1	16950-KJ9-752	COCK ASSY., FUEL AUTO	1	
2 SCREEN, FUEL STRAINER	0.5	2	16952-KJ9-752	SCREEN SET, FUEL STRAINER	1	
4 TANK, FUEL	0.6	3	16958-397-771	O-RING, 9.0X1.3	1	
		4	17510-KVY-960	TANK COMP., FUEL	1	
12 FUEL TANK SENDING UNIT	0.2	5	17525-KBN-900	JOINT, FUEL TUBE	1	
		6	17525-KYT-940	TRAY, FUEL	1	
		7	17526-KYT-900	TUBE, DRAIN	1	
		8	17620-KGH-600	CAP, FUEL FILLER	1	
		9	17630-KVY-960	TUBE, FUEL	1	
		10	17631-KEV-900	PACKING, FUEL FILLER CAP	1	
		11	17635-KVY-900	TUBE, PRESSURE	1	
		12	37800-KVY-961	FUEL UNIT	1	
		13	37801-GA7-700	PACKING, BASE	1	
		14	37802-KTL-740	RETAINER, FUEL UNIT	1	
		15	95002-02070	CLIP, TUBE (B7)	2	
		16	95002-02080	CLIP, TUBE (B8)	2	
		17	95002-80000	CLIP, TUBE (C12)	1	
		18	95701-06012-00	BOLT, FLANGE, 6X12	2	

F - 17 Air Cleaner



Service item	F.R.T.	No.	Part Number	Description	QTY	Notes
2 ELEMENT, AIR CLEANER	0.2	1	15771-551-000	CLIP, OIL DRAIN TUBE	2	
6 CASE, AIR CLEANER	0.7	2	17210-KVY-960	ELEMENT COMP., AIR CLEANER	1	
7 (10) COVER, AIR CLEANER CASE	0.2	3	17212-KVY-900	SEAL A, AIR CLEANER	2	
		4	17213-KVY-900	SEAL B, AIR CLEANER	1	
		5	17218-KVY-900	TUBE, BREATHER	1	
11 TUBE, AIR CLEANER CONNECTING..	0.7	6	17225-KVY-960	CASE SUB ASSY., AIR CLEANER	1	
16 ELEMENT, SUB AIR CLEANER	0.2	7	17235-KVY-900	COVER SUB ASSY., AIR CLEANER	1	
		8	17236-KVB-900	PLUG, AIR CLEANER DRAIN	1	
		9	17244-KVY-900	RUBBER, AIR SUCTION VALVE MOUNTING	1	
		10	17251-KVY-960	DUCT, AIR CLEANER INTAKE	1	
		11	17253-KVY-900	TUBE, AIR CLEANER CONNECTING	1	
		12	17254-KVY-900	BAND, CONNECTING TUBE (50)	1	
		13	17261-KVY-900	TUBE, AIR CLEANER DRAIN	1	
		14	17274-KVB-900	TUBE, AIR OPENING	1	
		15	17370-419-700	PLUG, BREATHER TUBE	1	
		16	18805-KVY-900	ELEMENT, AIR CLEANER (ASV)	1	
		17	64531-KFM-900	COLLAR, BODY COVER	3	
		18	87509-KVB-930	LABEL, AIR CLEANER CASE COVER	1	
		19	93903-25510	SCREW, TAPPING, 5X25	6	
		20	95002-02130	CLIP, TUBE (B12.5)	2	
		21	95002-41200-08	CLAMP, TUBE (D12)	2	
		22	95002-80000	CLIP, TUBE (C12)	1	
		23	95701-06025-00	BOLT, FLANGE, 6X25	3	

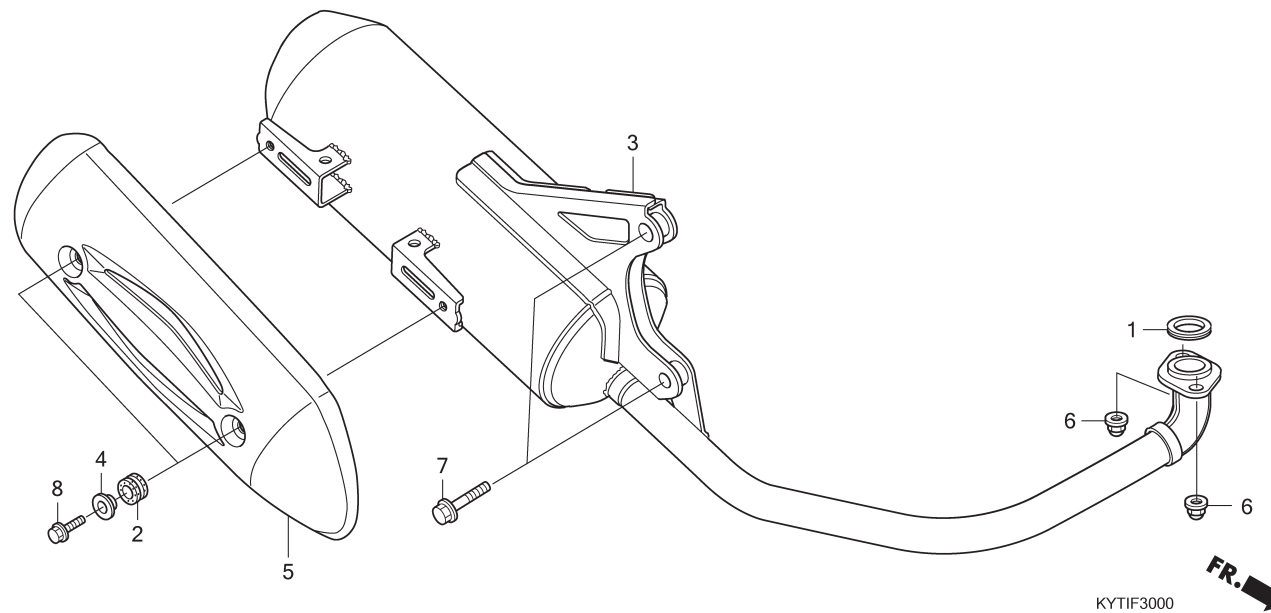
F - 17 - 1 Air Suction Valve



KYTIF2900

Service item	F.R.T.	No.	Part Number	Description	QTY	Notes
3 VALVE, SECONDARY AIR CONTROL.	0.5	1	17240-KVY-900	STAY, AIR SUCTION VALVE	1	
4 (5) PIPE, SECONDARY AIR.....	0.2	2	17622-GB7-900	RUBBER, CUSHION	2	
		3	18600-KVB-901	VALVE ASSY., AIR SUCTION	1	
		4	18640-KVY-900	PIPE COMP., AIR FEED	1	
		5	18645-KVY-900	GASKET, AIR FEED PIPE	1	
		6	18652-KYT-940	HOSE, AIR SUCTION VALVE	1	
		7	18655-KVY-900	TUBE, AIR SUCTION VALVE (PB)	1	
		8	19509-KVB-900	CLAMP, TUBE (D19)	1	
		9	90501-124-000	WASHER, FR. COVER SETTING	2	
		10	90678-MN5-000	CLIP, FUEL HOSE	1	
		11	93404-06030-00	BOLT-WASHER, 6X30	2	
		12	94050-06000	NUT, FLANGE, 6MM	2	
		13	95002-02070	CLIP, TUBE (B7)	2	
		14	95701-06012-00	BOLT, FLANGE, 6X12	2	
		15	95701-06018-00	BOLT, FLANGE, 6X18	3	

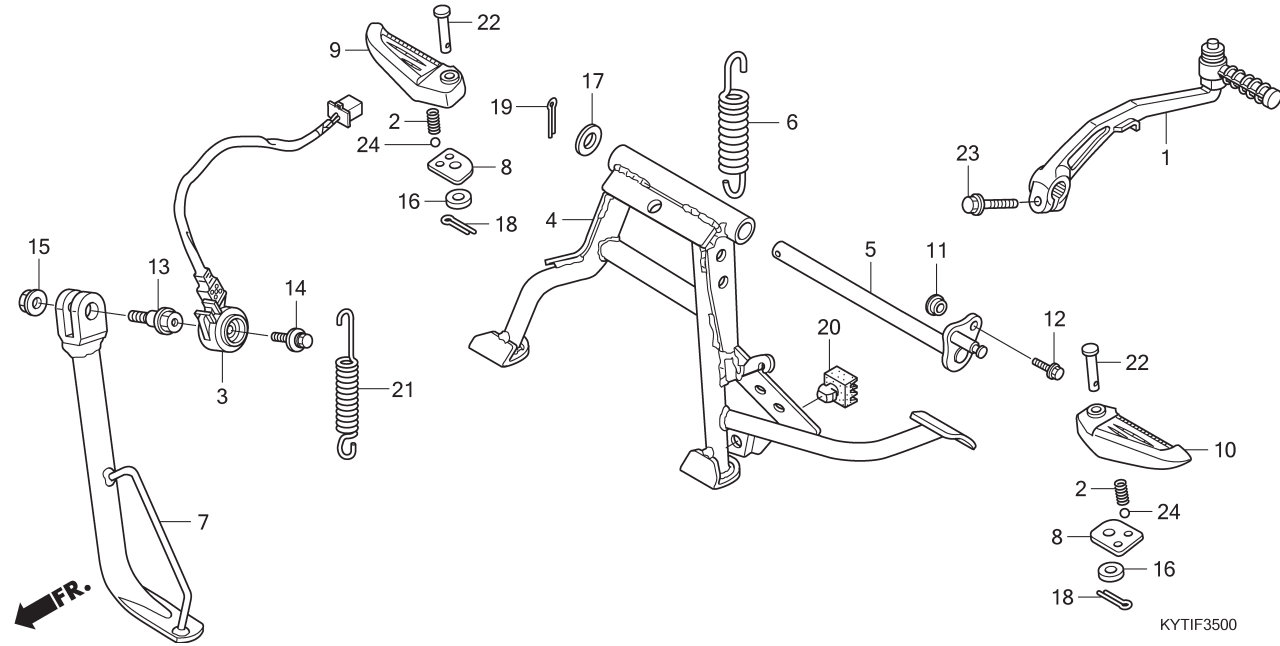
F - 18 Exhaust Muffler



Service item	F.R.T.	No.	Part Number	Description	QTY	Notes
1 GASKET, EXHAUST PIPE	0.1	1	18291-KVB-900	GASKET, EX. PIPE	1	
3 MUFFLER	0.2	2	18293-KSB-900	RUBBER, PROTECTOR PACKING	2	
5 PROTECTOR, MUFFLER	0.1	3	18300-KYT-940	MUFFLER COMP., EX.	1	
		4	18316-KVB-900	COLLAR, MUFFLER PROTECTOR	2	
		5	18318-KYT-900ZL	PROTECTORA, MUFFLER *NH341P* PEARL FADELESS WHITE	1	
		6	90202-ZV0-000	NUT, CAP, 6MM	2	
		7	95701-10040-07	BOLT, FLANGE, 10X40	2	
		8	95801-06016-02	BOLT, FLANGE, 6X16	2	

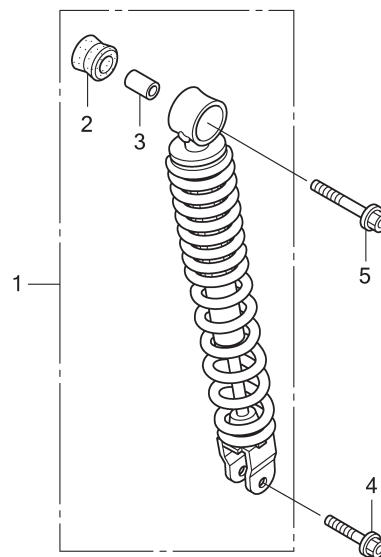
3

F - 19 Stand



Service item	F.R.T.	No.	Part Number	Description	QTY	Notes
1 ARM, KICK STARTER	0.1	1	28300-KVY-900	ARM ASSY., KICK STARTER	1	
2 SWITCH, SIDE STAND	0.5	2	28333-300-000	SPRING, KICK STARTER STOPPER	2	
4 STAND, MAIN	0.4	3	35700-KYT-901	SWITCH ASSY., SIDE STAND	1	
6 SPRING, MAIN STAND	0.2	4	50500-KVY-870	STAND COMP., MAIN	1	
7 BAR, SIDE STAND	0.2	5	50503-KYT-900	SHAFT, MAIN STAND	1	
9 BAR, PILLION STEP :RIGHT	0.1	6	50520-KVB-900	SPRING, MAIN STAND	1	
10 BAR, PILLION STEP :LEFT	0.1	7	50530-KVY-870	BAR COMP., SIDE STAND	1	
BAR, PILLION STEP :BOTH	0.2	8	50718-KYT-900	PLATE, PILLION STEP CLICK	2	
21 SPRING, SIDE STAND	0.1	9	50720-KYT-900	ARM, R. PILLION STEP	1	
		10	50730-KYT-900	ARM, L. PILLION STEP	1	
		11	61101-KCJ-690	COLLAR, FR. FENDER SETTING	1	
		12	90101-KVY-900	BOLT, SETTING, 6X16	1	
		13	90108-MK6-670	BOLT, SIDE STAND PIVOT	1	
		14	90147-KVY-900	BOLT, SWITCH SETTING	1	
		15	90203-KVB-900	NUT, SIDE STAND	1	
		16	94101-06000	WASHER, PLAIN, 6MM	2	
		17	94101-10800	WASHER, PLAIN, 10MM	1	
		18	94201-16150	PIN, SPLIT, 1.6X15	2	
		19	94201-30200	PIN, SPLIT, 3.0X20	1	
		20	95011-61000	RUBBER A, STAND STOPPER	1	
		21	95014-72102	SPRING A, SIDE STAND	1	
		22	95015-81000	PIN A, PILLION STEP	2	
		23	95701-08025-00	BOLT, FLANGE, 8X25	1	
		24	96211-08000	BALL, STEEL, #8 (1/4)	2	

F - 20 Rear Cushion



FR.

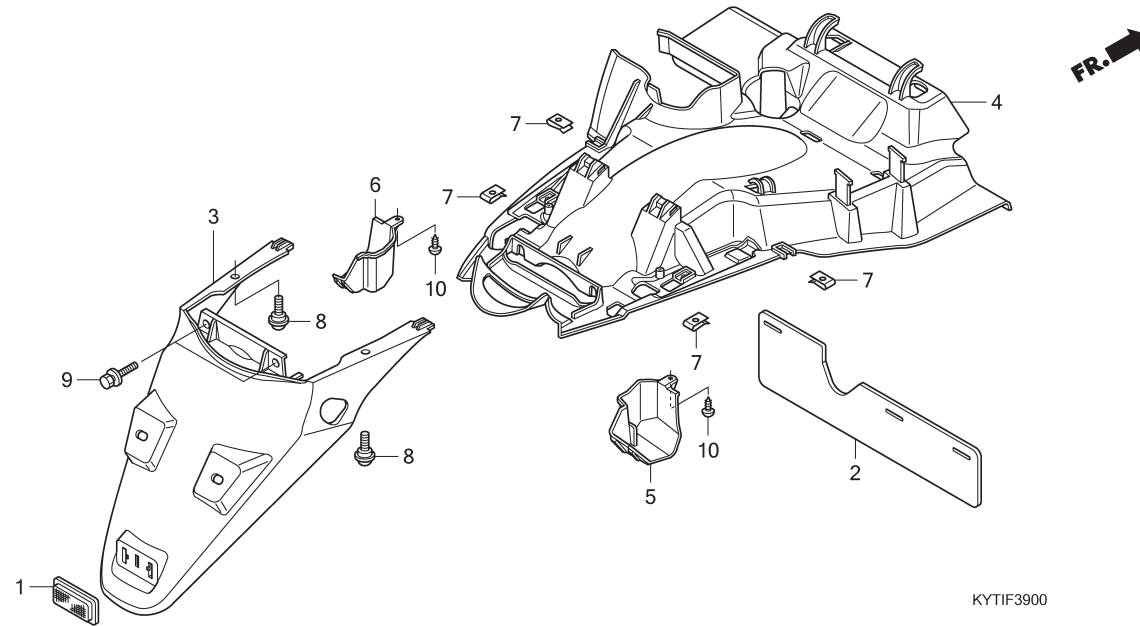
KYTIF3600

Service item	F.R.T.	No.	Part Number	Description	QTY	Notes
1 CUSHION ASSY., REAR	0.2	1	52400-KVB-931	CUSHION ASSY., RR.	1	
		2	52485-088-901	BUSH, RR. CUSHION RUBBER	1	
		3	52486-GA7-003	COLLAR, RUBBER BUSH (SHOWA)	1	
		4	95801-08032-00	BOLT, FLANGE, 8X32	1	
		5	95801-10035-00	BOLT, FLANGE, 10X35	1	

3

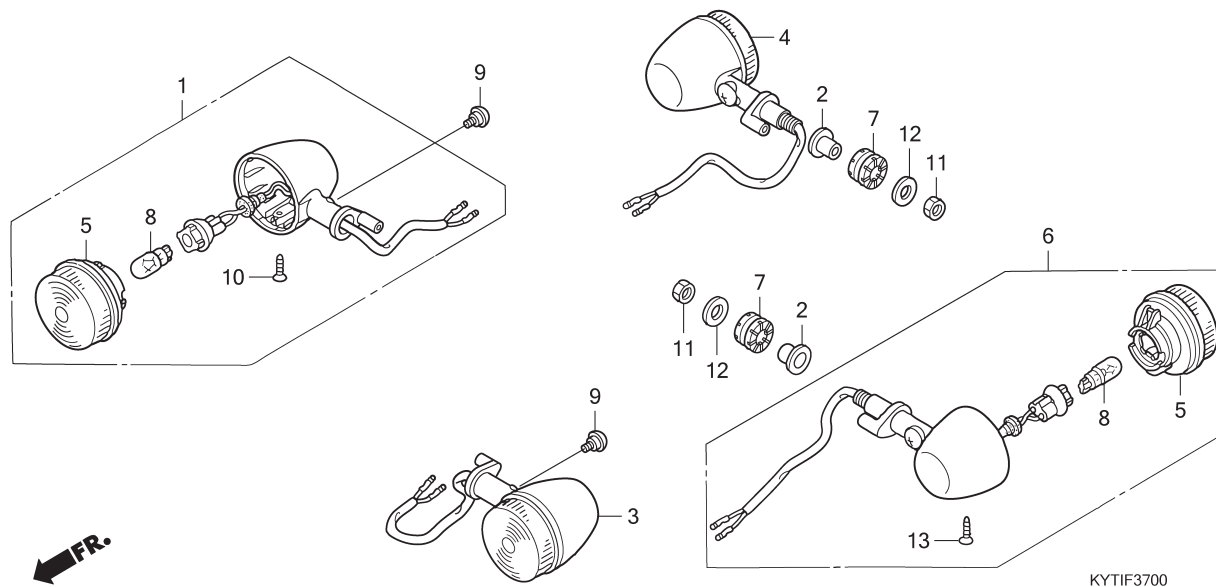
F - 21

Rear Fender



Service item	F.R.T.	No.	Part Number	Description	QTY	Notes
2 FENDER, REAR	0.7	1	33741-KAN-961	REFLECTOR, RR. REFLEX	1	
4 FENDER, INNER :REAR	0.7	2	80104-KYT-940	GUARD, SPLASH	1	
		3	80105-KYT-940	FENDER, RR.	1	
		4	80106-KYT-940	FENDER, RR. INNER	1	
		5	80107-KYT-900	GUARD, R. WINKER	1	
		6	80108-KYT-900	GUARD, L. WINKER	1	
		7	90677-KAN-T00	NUT, CLIP, 5MM	4	
		8	91509-GE2-760	SCREW, PAN, 5X11.5	2	
		9	93404-06012-00	BOLT-WASHER, 6X12	2	
		10	93903-34310	SCREW, TAPPING, 4X12	2	

F - 22 Winker

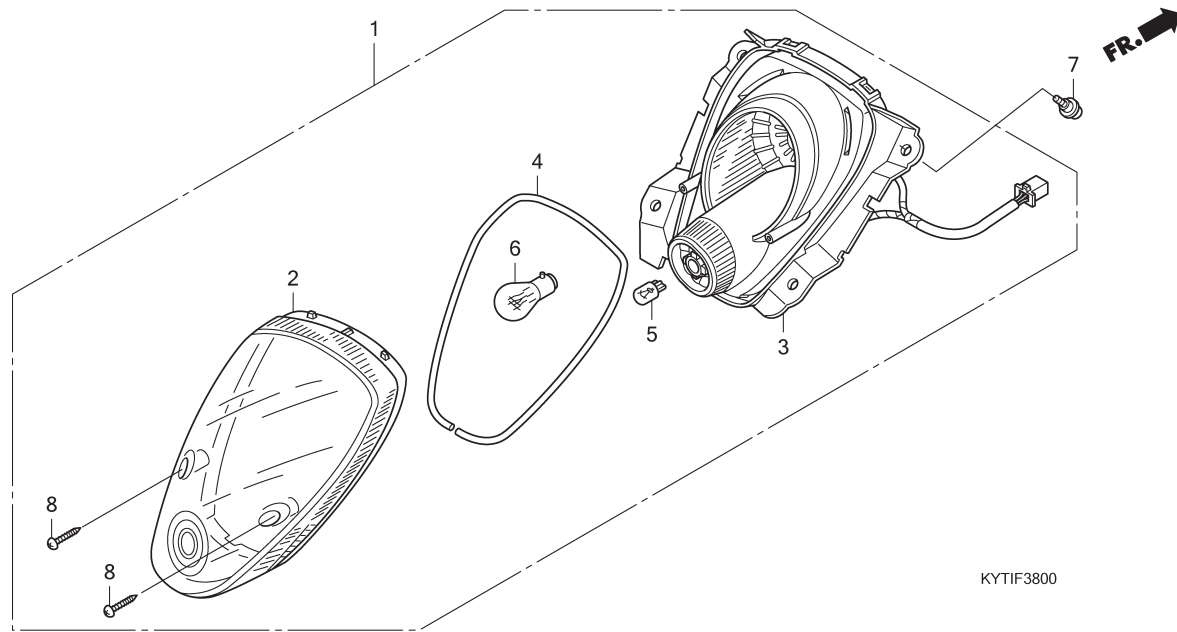


KYTIF3700

Service item	F.R.T.	No.	Part Number	Description	QTY	Notes
1 WINKER :RIGHT FRONT	0.5	1	33400-KYT-901	WINKER ASSY., R. FR. (12V 10W)	1	
3 WINKER :LEFT FRONT	0.5	2	33409-KFE-700	COLLAR, WINKER SETTING	2	
WINKER :BOTH FRONT	0.5	3	33450-KYT-901	WINKER ASSY., L. FR. (12V 10W)	1	
4 WINKER :RIGHT REAR	0.6	4	33600-KYT-901	WINKER ASSY., R. RR. (12V 10W)	1	
6 WINKER :LEFT REAR	0.6	5	33606-KYT-901	LENS COMP., WINKER	4	
WINKER :BOTH REAR	0.6	6	33650-KYT-901	WINKER ASSY., L. RR. (12V 10W)	1	
8 BULB, WINKER :FRONT	0.1	7	33690-KYT-940	RUBBER, WINKER MOUNTING	2	
.NOTE: Same time for two units		8	34905-KAN-W01	BULB, WINKER (12V 10W)	4	
BULB, WINKER :REAR	0.1	9	90102-GS3-003	SCREW, SPECIAL	2	
.NOTE: Same time for two units		10	93902-34310	SCREW, TAPPING, 4X12	2	
BULB, WINKER :FOR 1 VEHICLE.....	0.2	11	94002-10000-0S	NUT, HEX., 10MM	2	
		12	94101-10800	WASHER, PLAIN, 10MM	2	
		13	93902-34380	SCREW, TAPPING, 4X12	2	

3

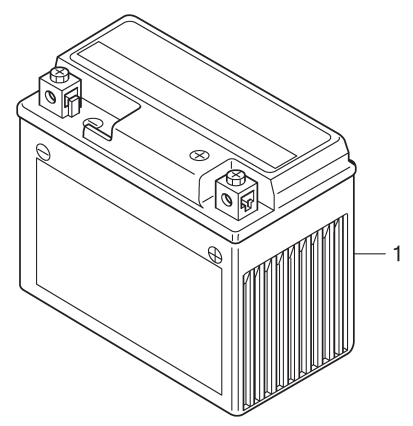
F - 23 Taillight



Service item	F.R.T.	No.	Part Number	Description	QTY	Notes
1 TAILLIGHT ASSEMBLY	0.4	1	33701-KYT-941	TAILLIGHT ASSY. (12V 18/5W)	1	
2 LENS, TAILLIGHT.....	0.1	2	33702-KYT-941	LENS COMP., TAILLIGHT	1	
3 BASE, TAILLIGHT.....	0.4	3	33703-KYT-941	BASE COMP., TAILLIGHT	1	
5 BULB, TAILLIGHT :LOWER.....	0.1	4	33705-KYT-901	PACKING	1	
		5	34351-657-921	BULB (12V/5W)	1	
6 BULB, TAILLIGHT :UPPER.....	0.1	6	34906-GB6-921	BULB, TAILLIGHT (12V 18/5W)	1	
BULB, TAILLIGHT :FOR 1 VEHICLE....	0.1	7	91509-GE2-760	SCREW, PAN, 5X11.5	4	
		8	93901-24480	SCREW, TAPPING, 4X16	2	

FR. →

**F - 24
Battery**

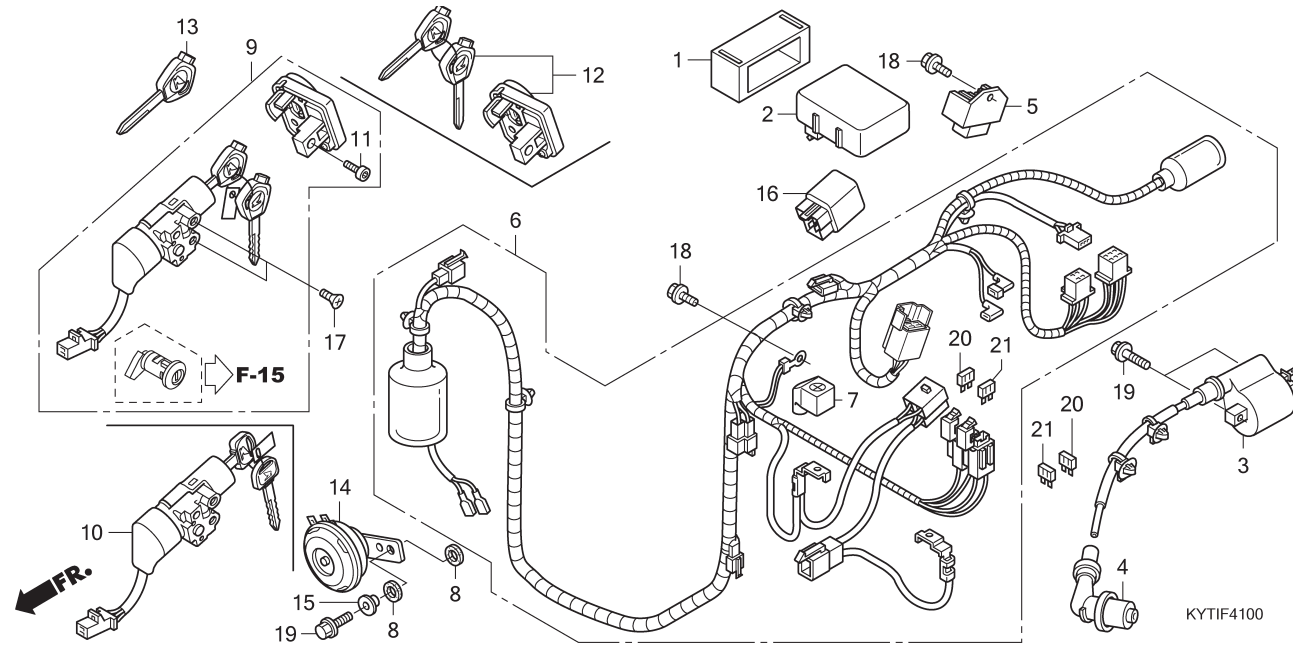


KYTIF4000

Service item	F.R.T.	No.	Part Number	Description	QTY	Notes
1 BATTERY	0.2	1	31500-KWW-A01	BATTERY (GTZ4V)	1	

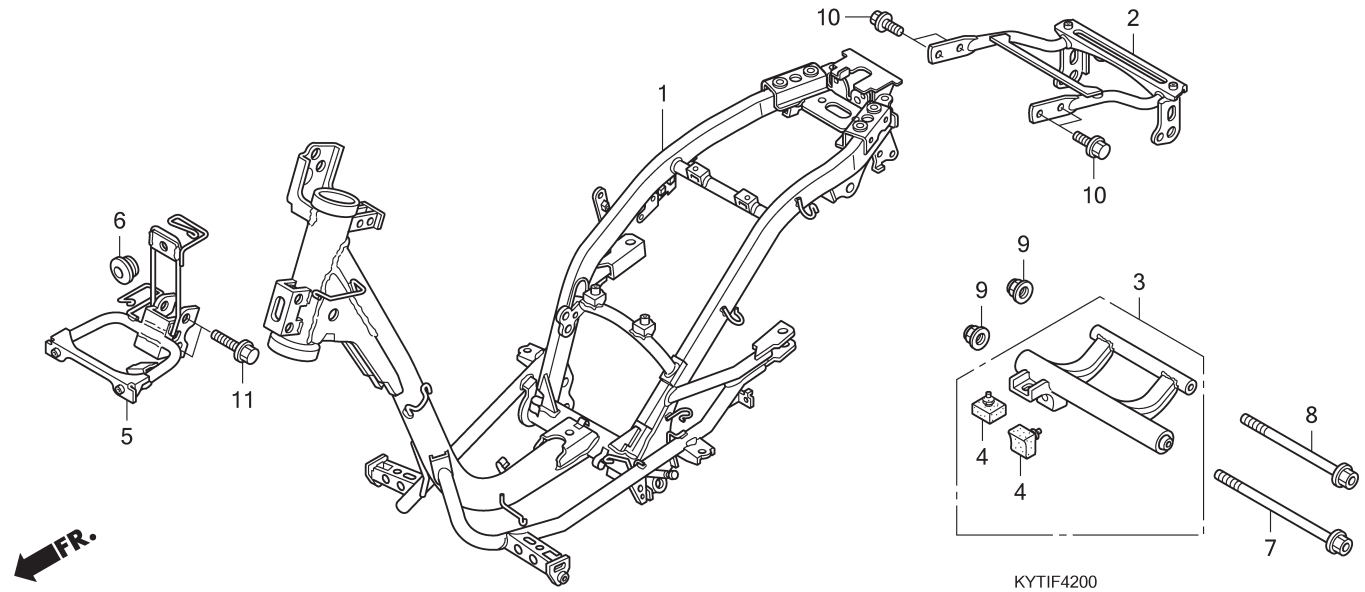
3

F - 25 Wire Harness



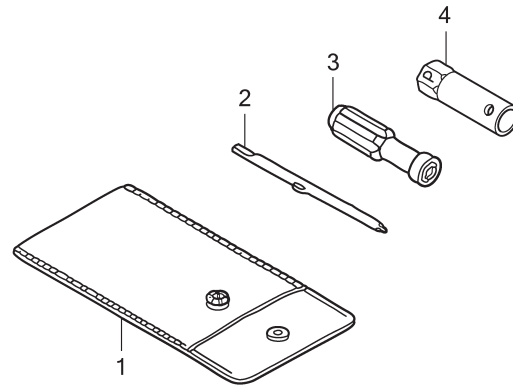
Service item	F.R.T.	No.	Part Number	Description	QTY	Notes
2 IGNITION CONTROL MODULE	0.4	1	30401-KYT-940	CUSHION, C.D.I. UNIT	1	
3 COIL, IGNITION	0.5	2	30410-KVY-961	C.D.I. UNIT	1	
5 RECTIFIER, REGULATE	0.4	3	30500-KVY-901	COIL ASSY., IGNITION	1	
6 HARNESS, WIRE	1	4	30700-KVY-961	CAP ASSY., NOISE SUPPRESSOR	1	
9 KEY SET	2.3	5	31600-KVB-N51	RECTIFIER COMP., REGULATOR	1	
10 SWITCH, COMBINATION & LOCK	1.9	6	32100-KYT-940	HARNESS, WIRE	1	
12 KEY, SHUTTER	1.8	7	32412-MV4-000	COVER, BATTERY TERMINAL	1	
14 HORN	0.3	8	33714-KL3-620	RUBBER, TAILLIGHT BRACKET	2	
16 RELAY, STARTER	0.2	9	35010-KYT-940	KEY SET	1	
		10	35101-KYT-941	SWITCH ASSY., COMBINATION & LOCK	1	
		11	35109-KWW-A01	BOLT, SOCKET, 5X8	1	
		12	35110-KWW-A01	KEY SET, SHUTTER	1	
		13	35121-KWW-A00	KEY, BLANK (A0KEYTOP2REPORDER)	1	
		14	38110-KYT-941	HORN COMP. (HIGH)	1	
		15	38117-KPH-880	COLLAR, HORN SETTING	1	
		16	38501-KPH-901	RELAY COMP., STARTER (OMRON)	1	
			38501-KVB-901	RELAY COMP., STARTER	1	
		17	90164-028-000	SCREW, U-LOCK FLAT, 6X12	2	
		18	95701-06012-00	BOLT, FLANGE, 6X12	2	
		19	95701-06020-00	BOLT, FLANGE, 6X20	3	
		20	98200-41000	FUSE, MINI (10A)	2	
		21	98200-41500	FUSE, MINI (15A)	2	

F - 26 Frame Body



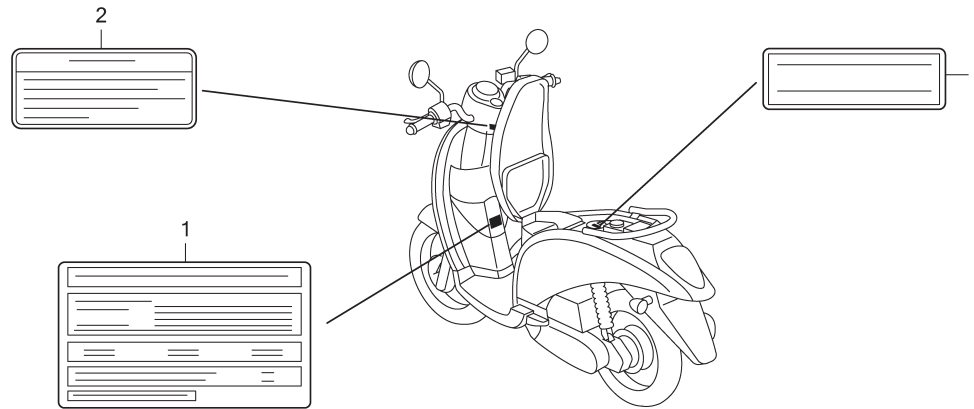
Service item	F.R.T.	No.	Part Number	Description	QTY	Notes
1 BODY, FRAME.....	5.6	1	50100-KYT-940	BODY COMP., FRAME	1	
.INCLUDES: Engine removal and installation		2	50200-KYT-900	SUB FRAME, RR.	1	
2 FRAME :REAR	0.7	3	50350-KVY-900	LINK ASSY., ENGINE HANGER	1	
3 LINK, ENGINE HANGER	0.7	4	50352-KVY-900	RUBBER, LINK STOPPER (70)	2	
.INCLUDES: Engine removal and installation		5	64223-KYT-900	STAY, FR. COVER	1	
5 STAY, FRONT COVER	1.6	6	83551-376-000	GROMMET, SIDE COVER	1	
		7	90105-KVY-900	BOLT, FLANGE, 10X270	1	
		8	90106-GCC-000	BOLT, FLANGE, 10X238	1	
		9	90304-KGH-901	NUT, U, 10MM	2	
		10	95701-06012-00	BOLT, FLANGE, 6X12	4	
		11	95701-08045-00	BOLT, FLANGE, 8X45	2	

F - 27 Tools



Service item	F.R.T.	No.	Part Number	Description	QTY	Notes
		1	83642-171-000	BAG, OWNERS MANUAL	1	
		2	89102-538-000	DRIVER, SCREW (NO.2 + -)	1	
		3	89103-538-000	GRIP	1	
		4	89216-KVY-960	WRENCH, SPARK PLUG	1	

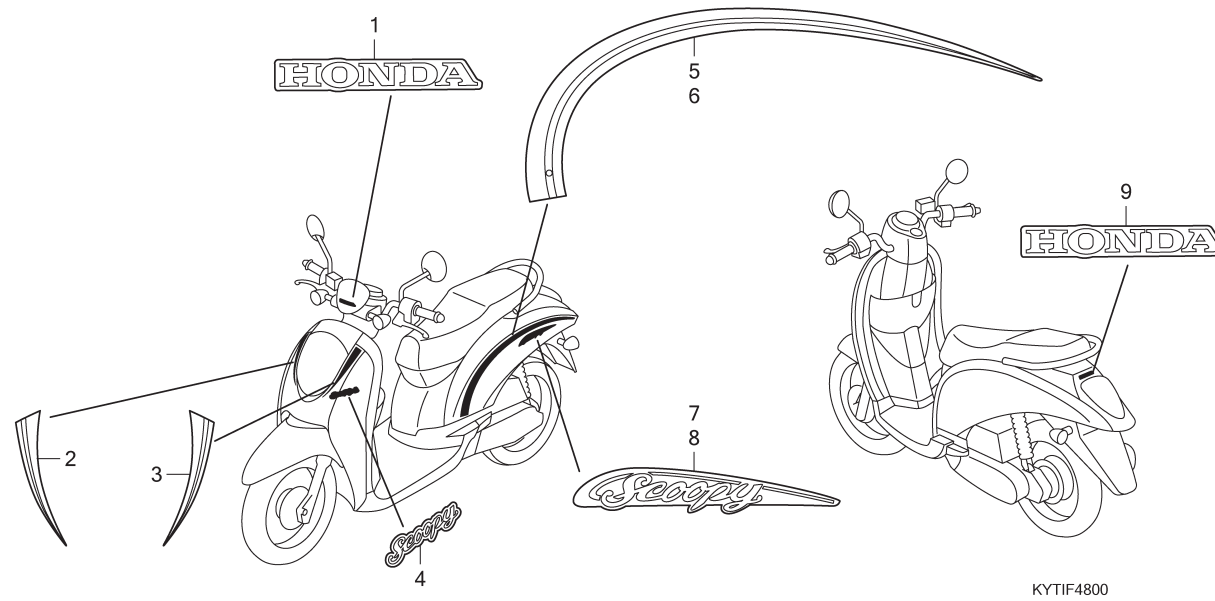
F - 28 Caution Label



KYTIF4700

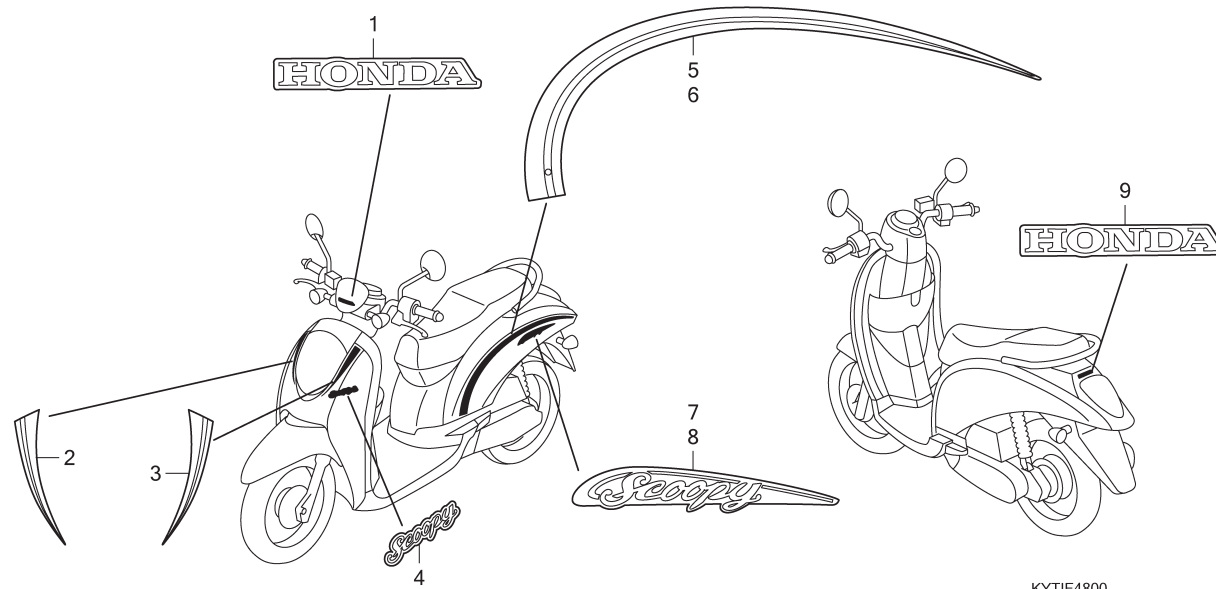
Service item	F.R.T.	No.	Part Number	Description	QTY	Notes
		1	87505-KVY-960	LABEL, TIRE	1	
		2	87560-KVB-930	LABEL, DRIVE CAUTION	1	
		3	87586-KVB-930	LABEL, FUEL	1	

F - 29
Mark / Stripe



Service item	F.R.T.	No.	Part Number	Description	QTY	Notes
		1	86531-KYT-940ZA	MARK, HONDA (65MM) *TYPE1*	1	
			86531-KYT-940ZB	*TYPE2*	1	
		2	86641-KYT-940ZA	STRIPE, R. FR. COVER *TYPE1*	1	
			86641-KYT-940ZB	*TYPE2*	1	
			86641-KYT-940ZC	*TYPE3*	1	
		3	86642-KYT-940ZA	STRIPE, L. FR. COVER *TYPE1*	1	
			86642-KYT-940ZB	*TYPE2*	1	
			86642-KYT-940ZC	*TYPE3*	1	
		4	86643-KYT-940ZA	MARK (SCOOPY) *TYPE1*	1	
		5	86831-KYT-940ZA	STRIPE, R. BODY COVER *TYPE1*	1	
			86831-KYT-940ZB	*TYPE2*	1	
			86831-KYT-940ZC	*TYPE3*	1	
		6	86832-KYT-940ZA	STRIPE, L. BODY COVER *TYPE1*	1	
			86832-KYT-940ZB	*TYPE2*	1	
			86832-KYT-940ZC	*TYPE3*	1	
		7	86833-KYT-940ZA	EMBLEM, R. BODY COVER *TYPE1*	1	

F - 29
Mark / Stripe



Service item	F.R.T.	No.	Part Number	Description	QTY	Notes
		8	86834-KYT-940ZA	EMBLEM, L. BODY COVER *TYPE1*	1	
		9	86835-KYT-940ZA	MARK, HONDA (80MM) *TYPE1*	1	
			86835-KYT-940ZB	*TYPE2*	1	

3

PT Astra Honda Motor

TECHNICAL SERVICE DIVISION