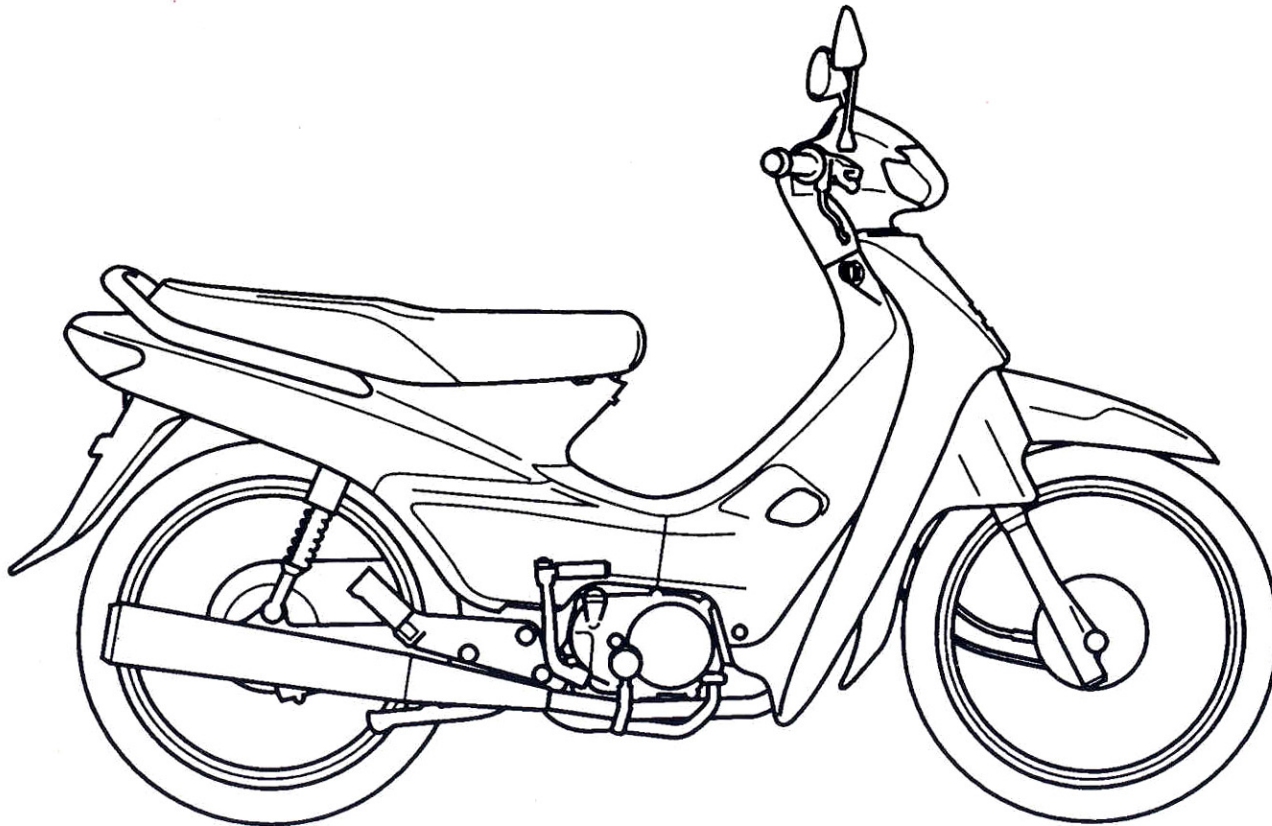
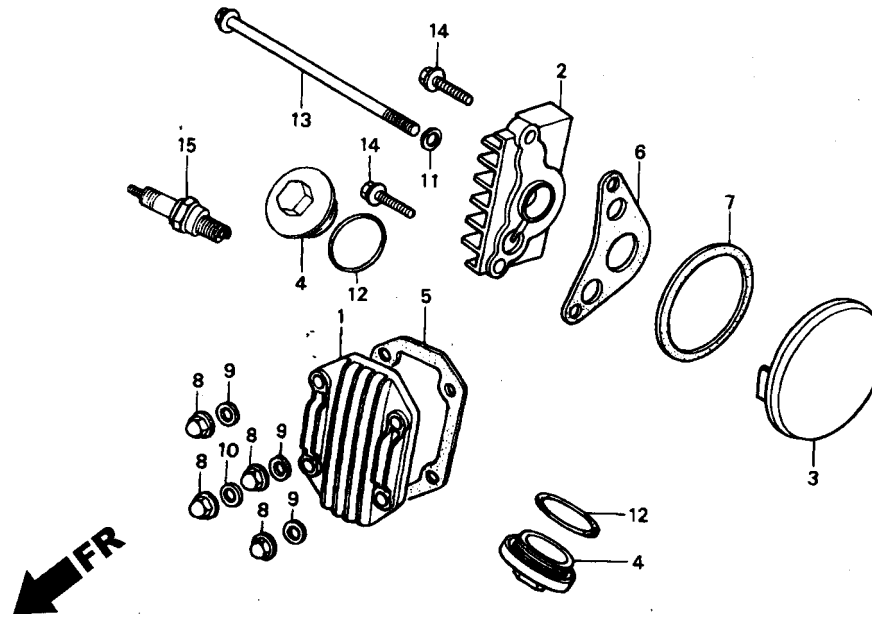


# SUPRA FIT



**PARTS CATALOG**  
EDISI **1**

**E - 1**  
Cylinder Head  
Cover

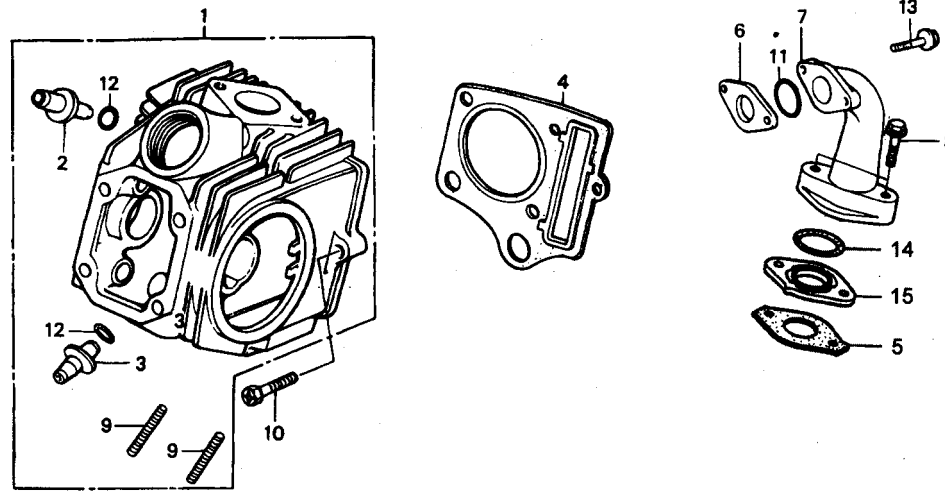


KRST

Service item	F.R.T.	No.	Part Number	Description	Q'ty	Notes
PLUG, SPARK	0.1	1	12301-GB6-910	COVER, CYLINDER HEAD	1	
COVER, CYLINDER HEAD L. SIDE	0.2	2	12331-KFL-850	COVER, R. CYLINDER HEAD SIDE	1	
COVER, CYLINDER HEAD	0.3	3	12341-KFL-850	COVER, L. CYLINDER HEAD SIDE	1	
		4	12361-035-000	CAP, TAPPETADJUSTING HOLE	2	
		5	12391-GW8-680	GASKET, CYLINDER HEAD COVER	1	
		6	12394-KFL-850	GASKET, R. CYL. HEAD SIDE COVER	1	
		7	12395-KFL-850	GASKET, L. CYL. HEAD SIDE COVER	1	
		8	90201-GF6-010	NUT, CAP, 7MM	4	
		9	90442-GF6-010	WASHER, SEALING, 7MM	3	
		10	90443-GF6-010	WASHER A, SEALING, 7MM	1	
		11	90461-357-000	WASHER, SEALING, 6.5X12	1	
		12	91302-KEV-900	O-RING, 30.8X3	2	
		13	95701-06110-00	BOLT, FLANGE, 6X110	1	
		14	96001-06020-00	BOLT, FLANGE, 6X20	2	
		15	98056-57723	PLUG, SPARK, U22 FS-U	1	

08.08.2003

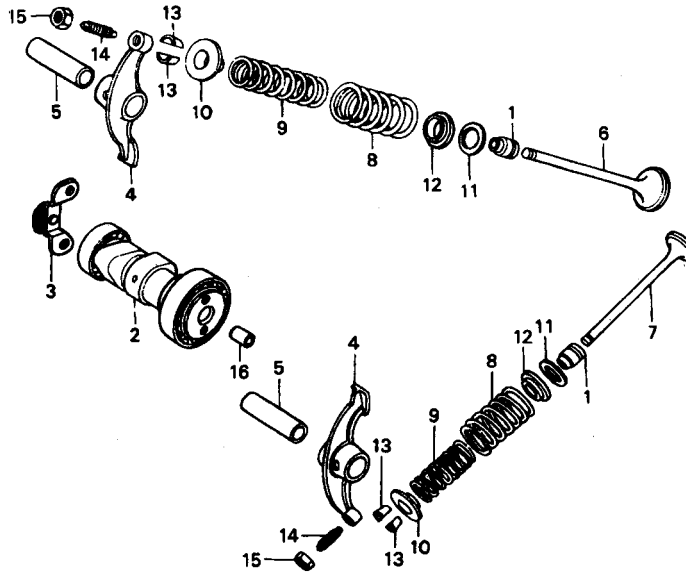
## E - 2 Cylinder Head



KRST

Service item	F.R.T.	No.	Part Number	Description	Q'ty	Notes
INSULATOR, CARBURETOR	0.2	1	12200-KFL-900	HEAD COMP., CYLINDER	1	
PIPE, IN	0.3	2	12237-KPG-900	GUIDE, IN VALVE	1	
BOLT STUD, 6X32		3	12245-KFL-900	GUIDE, EX VALVE	1	
GASKET, CYLINDER HEAD	1.1	4	12251-KFL-850	GASKET, CYLINDER HEAD	1	
HEAD COMP., CYLINDER	1.8	5	14201-GB5-917	GASKET, CARBURETOR INSULATOR	1	
VALVE GUIDE		6	16211-GB5-750	INSULATOR, CARBURETOR	1	
		7	17111-GN5-911	PIPE, IN	1	
		8	95701-06028-00	BOLT, FLANGE, 6X28	2	
		9	90033-041-020	BOLT, STUD, 6X32	2	
		10	90081-KFL-850	BOLT, SPECIAL FLANGE, 6X23	1	
		11	91304-GB1-900	O-RING, 25X2.4	1	
		12	12211-KFM-900	CLIP, VALVE GUIDE	2	
		13	96001-06025-00	BOLT, FLANGE, 6X25	2	
		14	91301-GK4-871	O-RING	1	
		15	16211-051-691	INSULATOR, CARBURETOR	1	

# E - 3 Camshaft/Valve

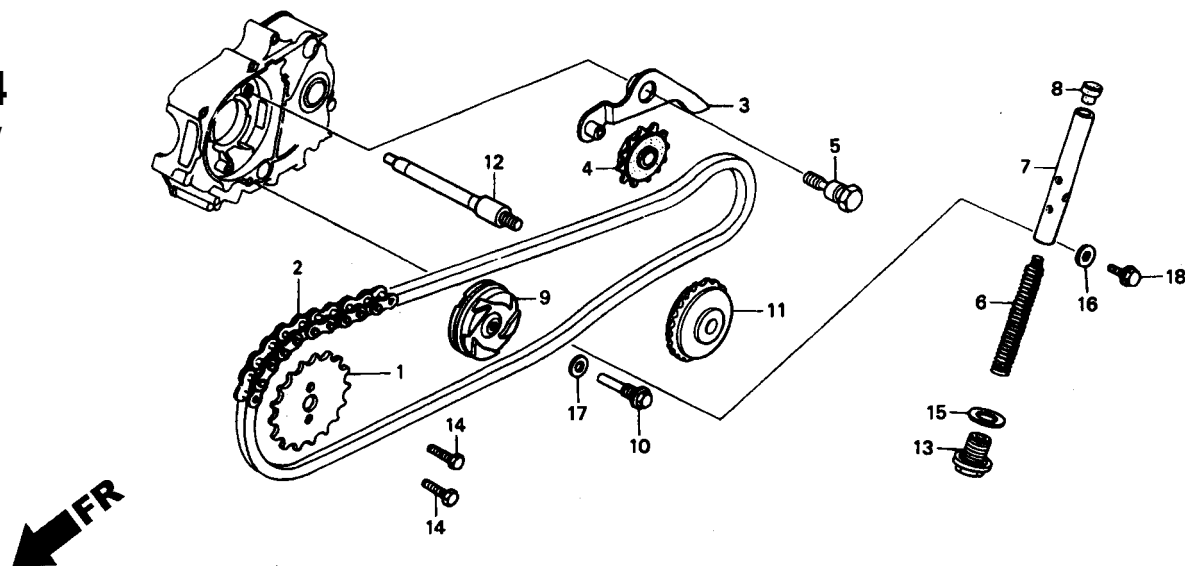


KRST

Service item	F.R.T.	No.	Part Number	Description	Q'ty	Notes
CAMSHAFT COMP	1.3	1	12209-GB4-681	SEAL, VALVE STEM	2	
ARM, VALVE ROCKER	*2.4	2	14100-KFM-900	CAMSHAFT COMP	1	
SPRING, VALVE	1.4	3	14150-GN5-911	PLATE COMP., STOPPER	1	
VALVE	1.6	4	14431-GN5-911	ARM, VALVE ROCKER	2	
		5	14451-035-000	SHAFT, ROCKER ARM	2	
		6	14711-KFM-900	VALVE, IN	1	
		7	14721-GF6-010	VALVE, EX	1	
		8	14751-GN5-911	SPRING, VALVE OUTER	2	
		9	14761-GN5-911	SPRING, VALVE INNER	2	
		10	14771-GB4-680	RETAINER, VALVE SPRING	2	
		11	14775-KFM-900	SEAT, VALVE SPRING OUTER	2	
		12	14776-KFM-900	SEAT, VALVE SPRING INNER	2	
		13	14781-MA6-000	COTTER, VALVE	4	
		14	90012-333-000	SCREW, TAPPET ADJUSTING	2	
		15	90206-001-000	NUT, TAPPET ADJUSTING	2	
		16	90702-KFM-900	PIN, DOWEL, 8X12	1	

08.08.2003

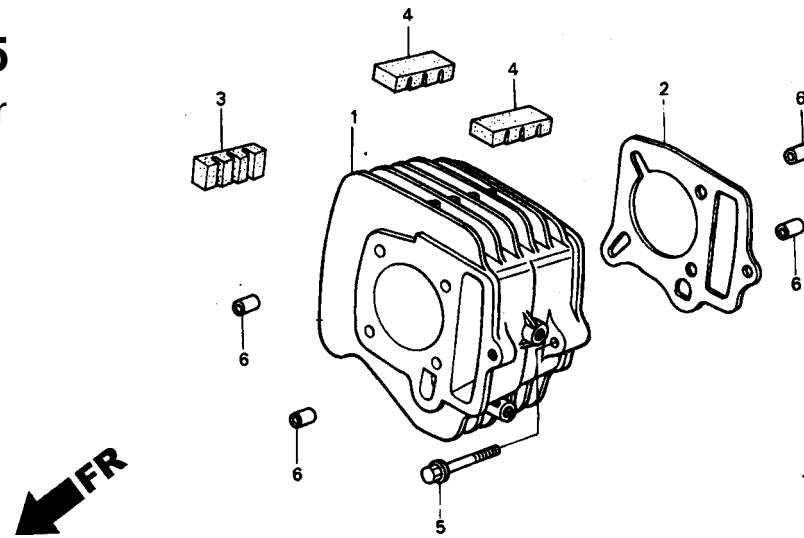
**E - 4**  
Cam chain/  
Tensioner



KRST

Service item	F.R.T.	No.	Part Number	Description	Q'ty	Notes
ROD COMP., CAM CHAIN TENSIONER		1	14321-KFM-900	SPROCKET, CAM (28T)	1	
PUSH	0.3	2	HC25H-88L	CHAIN, CAM (88L)	1	
ARM COMP., CAM CHAIN TENSIONER	0.4	3	14500-035-020	ARM COMP., CAM CHAIN TENSIONER	1	
ROLLER, CAM CHAIN TENSIONER		4	14502-086-001	ROLLER, CAM CHAIN TENSIONER	1	
SPROCKET, CAM	0.6	5	14531-035-000	PIVOT, CAM CHAIN TENSIONER	1	
ROLLER COMP., CAM CHAIN GUIDE	1.2	6	14541-GB4-681	SPRING, CAM CHAIN TENSIONER	1	
SPROCKET, CAM CHAIN GUIDE	1.4	7	14550-GB0-911	ROD COMP., CAM CHAIN TENSIONER PUSH	1	
SPINDLE, CAM CHAIN		8	14566-086-031	HEAD, CAM CHAIN TENSIONER PUSH ROD	1	
GUIDE SPROCKET CHAIN, CAM	1.6	9	14610-086-013	ROLLER COMP., CAM CHAIN GUIDE	1	
		10	14615-KFL-850	PIN, GUIDE ROLLER	1	
		11	14670-035-031	SPROCKET, CAM CHAIN GUIDE (25T)	1	
		12	14675-178-000	SPINDLE, CAM CHAIN GUIDE SPROCKET	1	
		13	90081-035-000	BOLT, SEALING, 14MM	1	
		14	90083-GB6-911	BOLT, KNOCK, 5MM	2	
		15	90441-035-000	WASHER, SEALING, 14MM	1	
		16	90461-357-000	WASHER, SEALING, 6.5X12	1	
		17	90481-035-000	WASHER, 8MM	1	
		18	95701-06018-00	BOLT, FLANGE, 6X18	1	

# E - 5 Cylinder

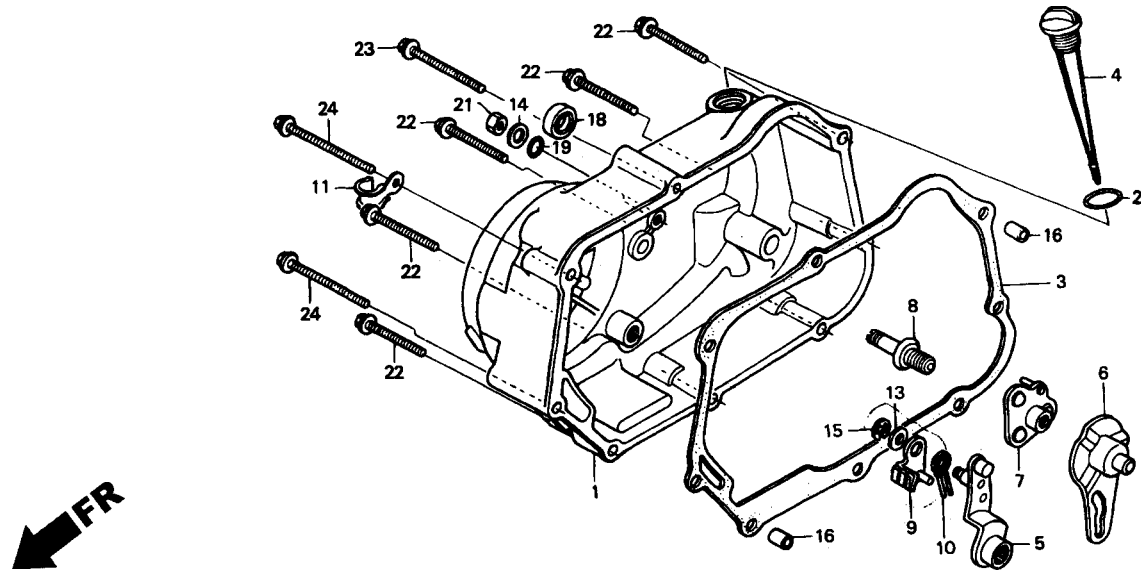


KRST

Service item	F.R.T.	No.	Part Number	Description	Q'ty	Notes
GASKET, CYLINDER	1.3	1	12100-KFM-900	CYLINDER COMP	1	
		2	12191-KFL-850	GASKET, CYLINDER	1	
		3	12195-KFL-850	RUBBERA, INSERT	1	
		4	12196-KFM-900	RUBBERB, INSERT	2	
		5	90082-KFL-850	BOLT, SPECIAL FLANGE 6X30	1	
		6	90701-KFM-900	PIN, DOWEL, SPECIAL 8X14	4	

## E - 6

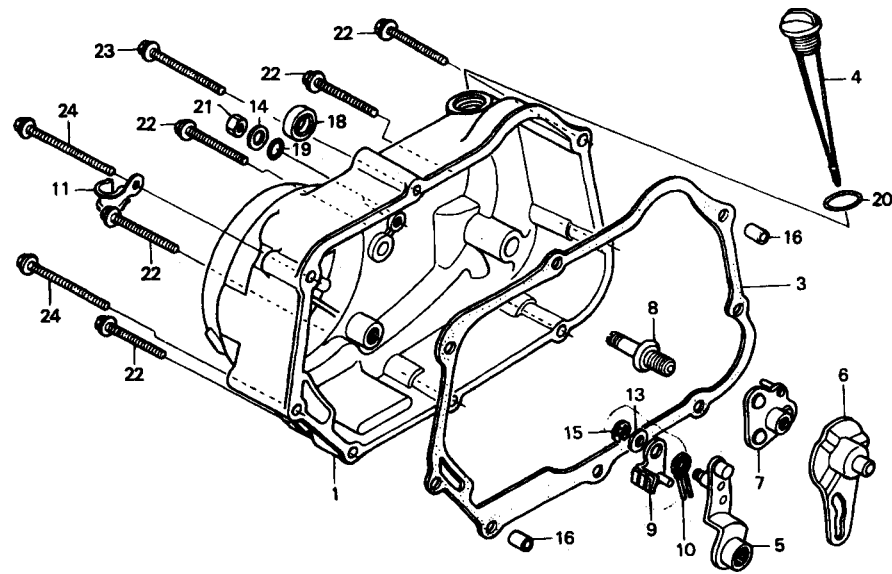
### Right crankcase cover



KRST

Service item	F.R.T.	No.	Part Number	Description	Q'ty	Notes
GASKET, R. CRANKCASE COVER	0.6	1	11330-KRS-A00	COVER COMP., R. CRANKCASE	1	
.OIL SEAL, 13.8X24X5		3	11394-KFL-850	GASKET, R. CRANKCASE COVER	1	
LEVER COMP., CLUTCH	0.7	4	15651-GN5-640	GAUGE, OIL LEVEL	1	
.LIFTER COMP. CLUTCH		5	22810-GN5-910	LEVER COMP., CLUTCH	1	
COVER COMP., R. CRANKCASE	0.8	6	22823-KFL-850	PLATE, CLUTCH LIFTER CAM	1	
		7	22840-KFL-850	LIFTER COMP	1	
		8	22846-GN5-910	BOLT, CLUTCH ADJUSTING	1	
		9	22850-KFM-900	PLATE COMP., BRAKE	1	
		10	22853-KEV-900	SPRING, BRAKE	1	
		11	32921-039-000	CLIP, DYNAMO CORD	1	
		13	90443-884-000	WASHER, THRUST, 8MM	1	
		14	90845-040-000	WASHER, 8MM	1	
		15	90605-166-720	CIRCLIP, 7MM	1	
		16	90702-KFM-900	PIN, DOWEL, 8X12	2	
		18	91202-KFL-841	OIL SEAL, 13.8X24X5	1	
		19	91303-001-000	O-RING, 8MM	1	
		20	91307-035-000	O-RING, 18X3	1	

**E - 6**  
Right crankcase  
cover



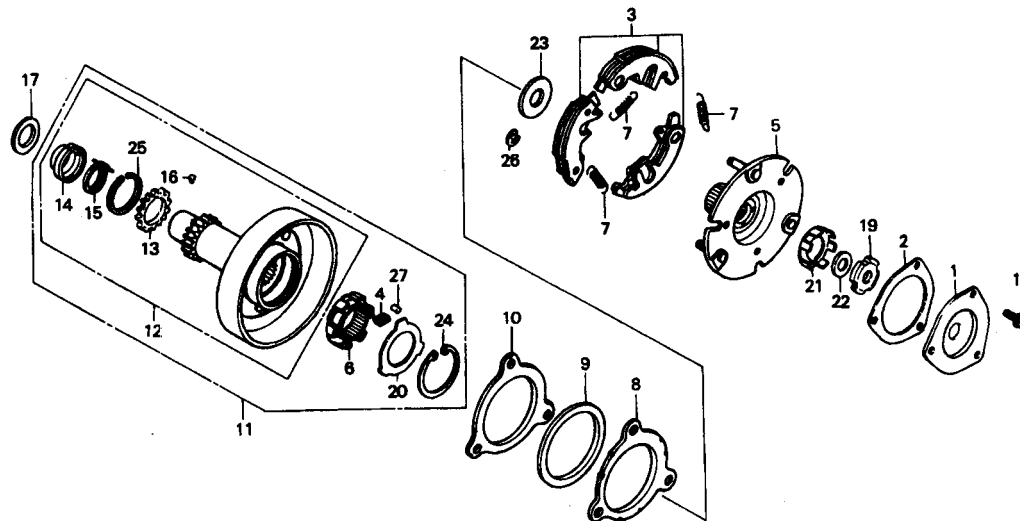
KRST

Service item	F.R.T.	No.	Part Number	Description	Q'ty	Notes
		21	94030-08000	NUT, HEX., 8MM	1	
		22	96001-06032-00	BOLT, FLANGE, 6X32	5	
		23	96001-06050-00	BOLT, FLANGE, 6X50	1	
		24	96001-06070-00	BOLT, FLANGE, 6X70	2	



# E - 7

## One way clutch

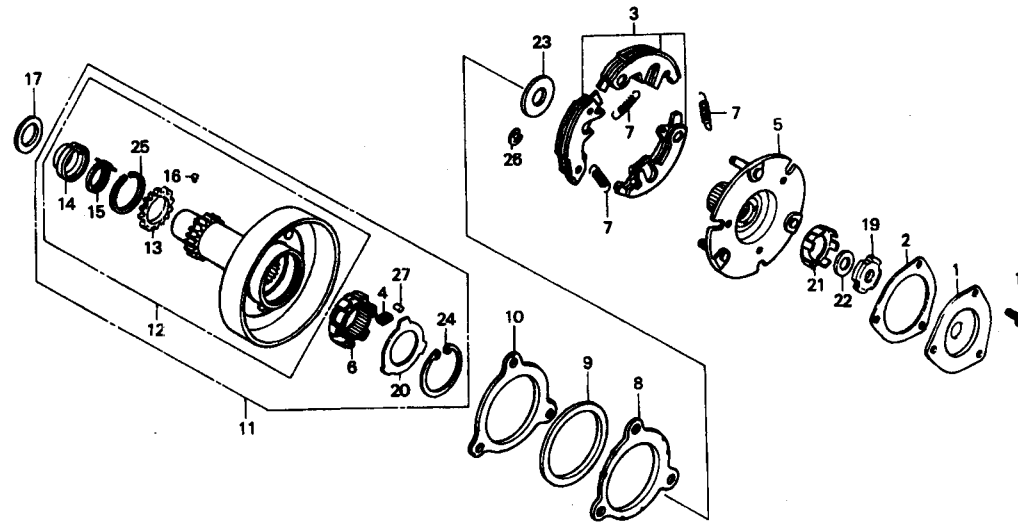


KRST

Service item	F.R.T.	No.	Part Number	Description	Q'ty	Notes
COVER, OIL FITER	0.7	1	15431-HF7-010	COVER, OIL FILTER	1	
WEIGHT SET, CLUTCH	1.0	2	15439-HF7-000	GASKET, OIL FILTER	1	
.PLATE COMP., PRIMARY DRIVE		3	22530-KFL-850	WEIGHT SET, CLUTCH	1	
.INNER COMP., ONE WAY CLUTCH		4	22606-GN5-910	SPRING, ONE WAY RETAINER	6	
OUTER ASSY., PRIMARY CLUTCH	1.2	5	22610-KFL-850	PLATE COMP., PRIMARY DRIVE	1	
GEAR COMP., PRIMARY DRIVE	1.3	6	22630-GB2-000	INNER COMP., ONE WAY CLUTCH	1	
		7	22641-KFL-D00	SPRING, PRIMARY CLUTCH	3	
		8	22642-KFL-850	WASHER, CLUTCH SIDE	1	
		9	22643-KFL-D00	SPRING, SIDE FRICTION	1	
		10	22644-KFL-851	PLATE, CLUTCH SIDE	1	
		11	22660-KFM-900	OUTER ASSY., PRIMARY CLUCTH	1	
		12	23120-KFM-900	GEAR COMP., PRIMARY DRIVE	1	
		13	23122-KFM-900	GEAR, SUB	1	
		14	23123-KFL-850	RETAINER, SPRING	1	
		15	23124-GCE-900	SPRING, SUB GEAR	1	
		16	23125-GN5-910	PIN, STOPPER	1	
		17	23126-GCE-900	COLLAR	1	
		18	90083-KFL-850	BOLT, SPECIAL FLANGE, 5X8	3	
		19	90231-198-000	NUT B, LOCK, 14MM	1	
		20	90401-GB2-000	WASHER, 30X45X0.8	1	

08.08.2003

**E - 7**  
One way  
clutch

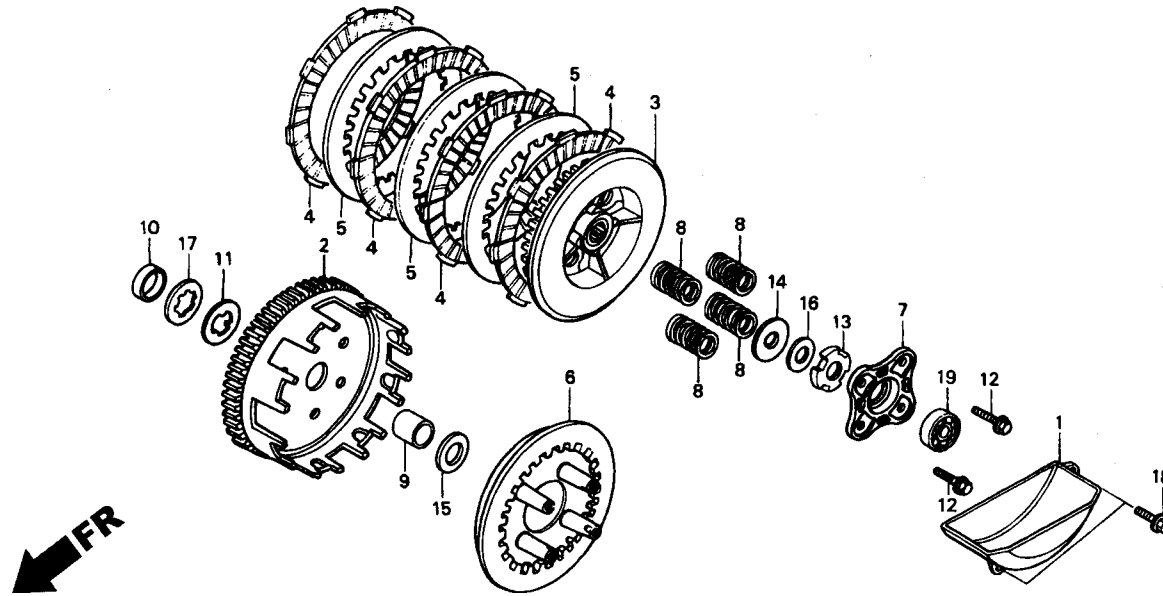


KRST

Service item	F.R.T.	No.	Part Number	Description	Q'ty	Notes
		21	90431-GN5-910	WASHER, LOCK	1	
		22	90432-086-000	WASHER B, LOCK	1	
		23	90433-KW7-900	WASHER, 17X23X3	1	
		24	90455-GB2-000	CIRCLIP, INTERNAL, 45MM	1	
		25	90603-PX0-A00	SET RING, 23MM	1	
		26	90605-166-720	CIRCLIP, 7MM	4	
		27	91101-GB2-000	ROLLER, 5X8	6	

# E - 8

## Clutch



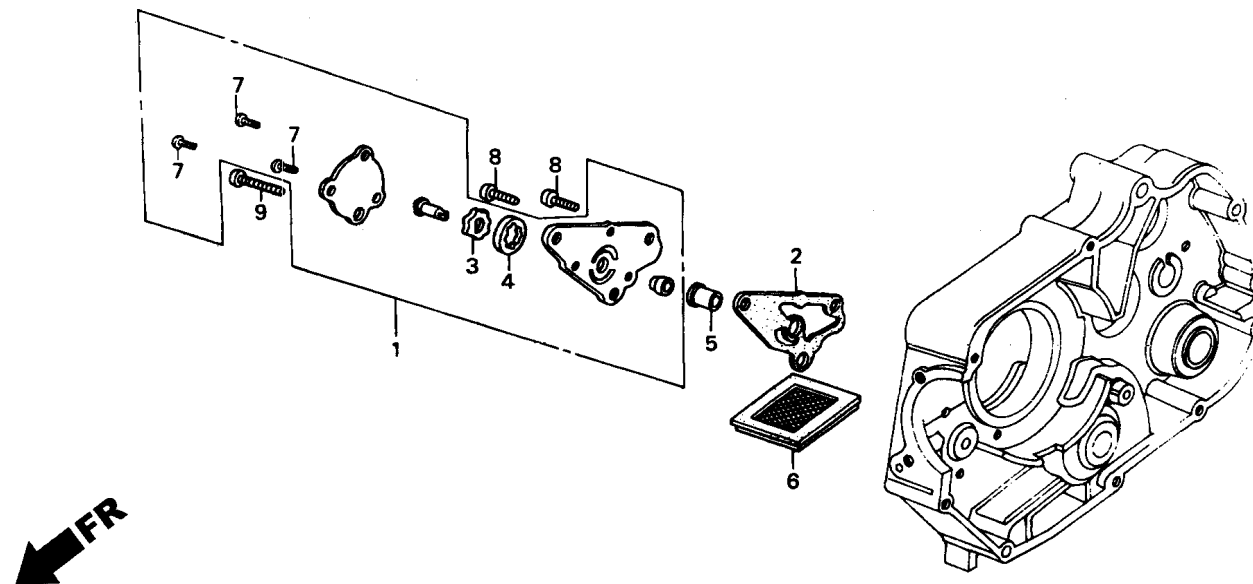
KRST

Service item	F.R.T.	No.	Part Number	Description	Q'ty	Notes
PLATE, CLUTCH LIFTER	0.7	1	15661-GN5-910	PLATE, OIL SEPARATOR	1	
.SPRING, CLUTCH		2	22110-KFL-D01	OUTER COMP., CLUTCH	1	
.BEARING, RADIAL BALL, 6200		3	22121-KFM-900	CENTER, CLUTCH	1	
PLATE, OIL SEPARATOR	1.1	4	22201-KBW-900	DISK, CLUTCH FRICTION	4	
OUTER COMP., CLUTCH	1.2	5	22311-KN4-680	PLATE, CLUTCH	3	
.CENTER, CLUTCH		6	22350-115-020	PLATE, CLUTCH PRESSURE	1	
.DISK, CLUTCH FRICTION		7	22361-KFM-900	PLATE, CLUTCH LIFTER	1	
.PLATE, CLUTCH PRESSURE		8	22401-GN5-910	SPRING, CLUTCH	4	
		9	23112-GCE-900	COLLAR, CLUTCH CENTER	1	
		10	23216-GN5-910	COLLAR, DISTANCE	1	
		11	23217-GN5-910	SET RING, 17	1	
		12	90050-KFL-850	BOLT, SPECIAL FLANGE, 6X25	4	
		13	90231-198-000	NUT, LOCK B, 14MM	1	
		14	90402-KFM-900	WASHER, THRUST, 14MM	1	
		15	90403-HA0-000	WASHER, THRUST, 17MM	1	
		16	90432-086-000	WASHER B, LOCK	1	
		17	90462-KFL-850	WASHER B, SPLINE, 17MM	1	
		18	95701-06020-00	BOLT, FLANGE, 6X20	2	
		19	HB6200	BEARING, RADIAL BALL, 6200	1	

08.08.2003

# E - 9

## Oil pump

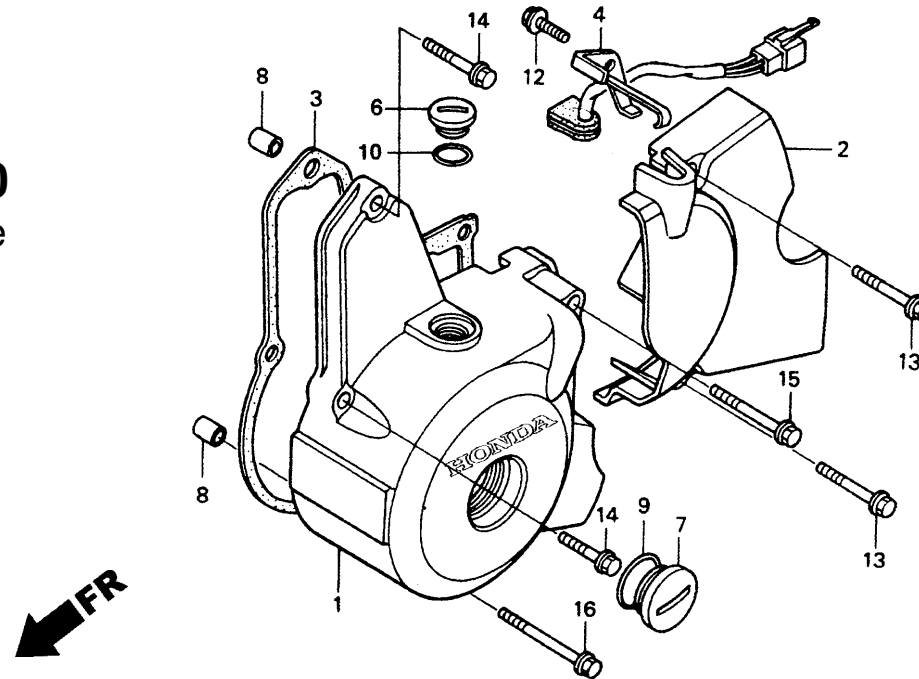


KRST

Service item	F.R.T.	No.	Part Number	Description	Q'ty	Notes
SCREEN, OIL FILTER	0.6	1	15100-GBG-931	PUMP ASSY., OIL	1	
PUMP ASSY., OIL	1.3	2	15119-178-000	GASKET, OIL PUMP B	1	
		3	15331-GF6-000	ROTOR, OIL PUMP INNER	1	
		4	15332-GF6-000	ROTOR, OIL PUMP OUTER	1	
		5	15384-178-000	PIVOT, OIL PUMP	1	
		6	15421-035-010	SCREEN OIL, FILTER	1	
		7	93500-05010-0A	SCREW, PAN, 5X10	3	
		8	93500-06016-0A	SCREW, PAN, 6X16	2	
		9	93500-06022-0A	SCREW, PAN, 6X22	1	

## E - 10

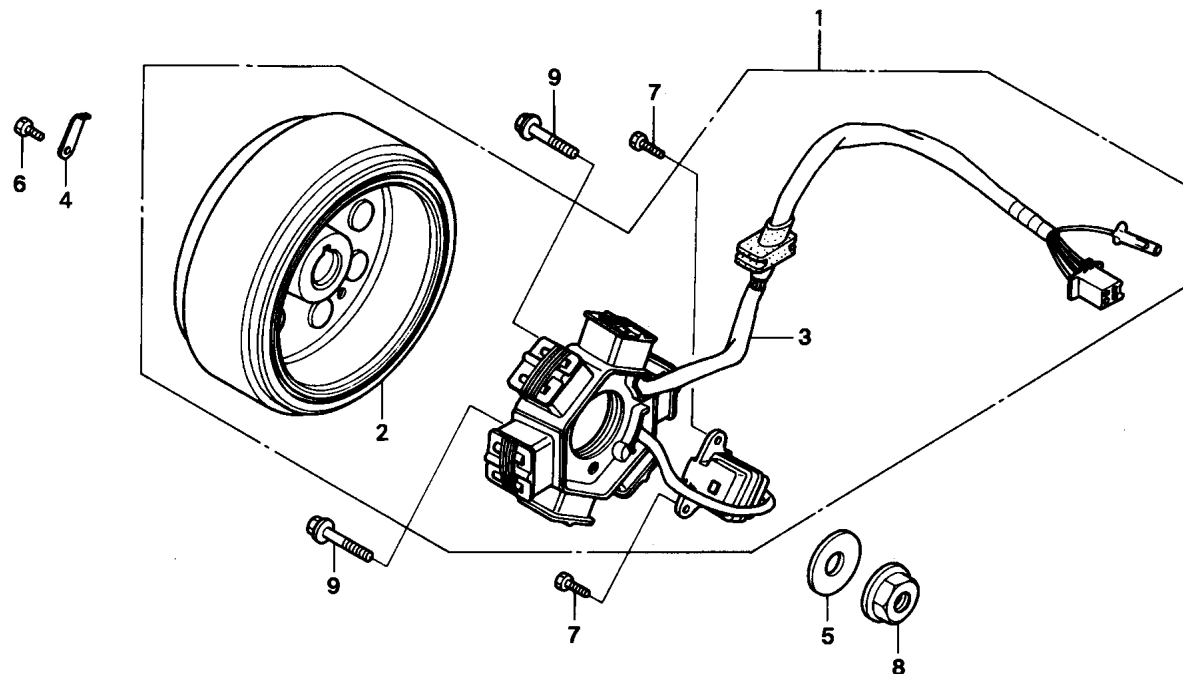
### Left crankcase cover



KRST

Service item	F.R.T.	No.	Part Number	Description	Q'ty	Notes
COVER, L. RR. CRANKCASE	0.1	1	11341-KRS-A00	COVER, L. CRANKCASE	1	
GASKET, L. CRANKCASE COVER	0.3	2	11360-KRS-A00	COVER, L. RR. CRANKCASE	1	
COVER, L. CRANKCASE	0.4	3	11395-GBJ-730	GASKET, L. CRANKCASE COVER	1	
SWITCHASSY., CHANGE	0.5	6	90084-GN5-640	CAP, AC. GENERATOR	1	
		7	90087-GN5-640	CAP, 30MM	1	
		8	90601-KJ9-000	CLIP, 4X50	1	
		9	90702-KFM-900	PIN, DOWEL, 8X12	2	
		10	91301-GK4-871	O-RING, 27X2.0	1	
		12	96001-06016-00	BOLT, FLANGE, 6X16	1	
		13	96001-06020-00	BOLT, FLANGE, 6X20	1	
		14	96001-06028-00	BOLT, FLANGE, 6X28	2	
		15	96001-06032-00	BOLT, FLANGE, 6X32	2	
		16	96001-06050-00	BOLT, FLANGE, 6X50	1	
		17	96001-06070-00	BOLT, FLANGE, 6X70	1	

# E - 11 Generator



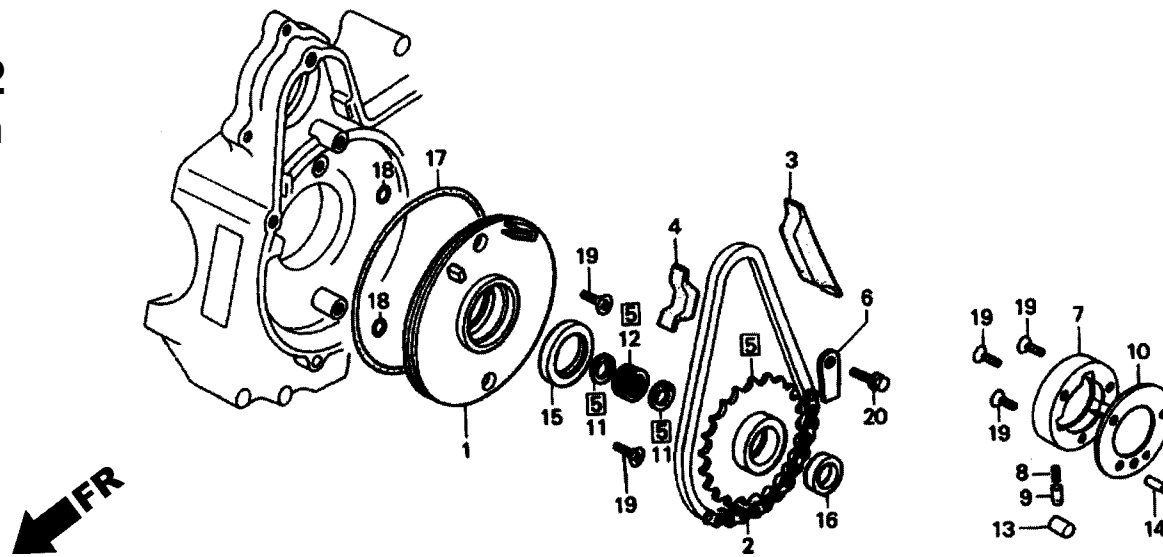
KRST

Service item	F.R.T.	No.	Part Number	Description	Q'ty	Notes
FLYWHEEL COMP	0.4	1	31100-KRS-A00	GENERATOR ASSY., A.C.	1	
PLATE, OIL SEPARATE	0.5	2	31110-KFV-840	FLYWHEEL, COMP	1	
.OIL SEAL, 18.9X30X5		3	31120-KRS-A00	STATOR COMP.	2	
.O RING, 107X2		4	31141-141-860	CLAMPER AC, GENERATOR	2	
STATOR COMP.	0.6	5	90410-HC4-000	WASHER, 10MM	1	
		6	93301-05006-0H	BOLT, HEX., 5X6	1	
		7	93301-05010-0H	BOLT, HEX., 5X10	3	
		8	94050-10000	NUT, FLANGE, 10MM	1	
		9	96001-06022-00	BOLT, FLANGE, 6X22	2	

08.08.2003

## E - 12

### Starting clutch

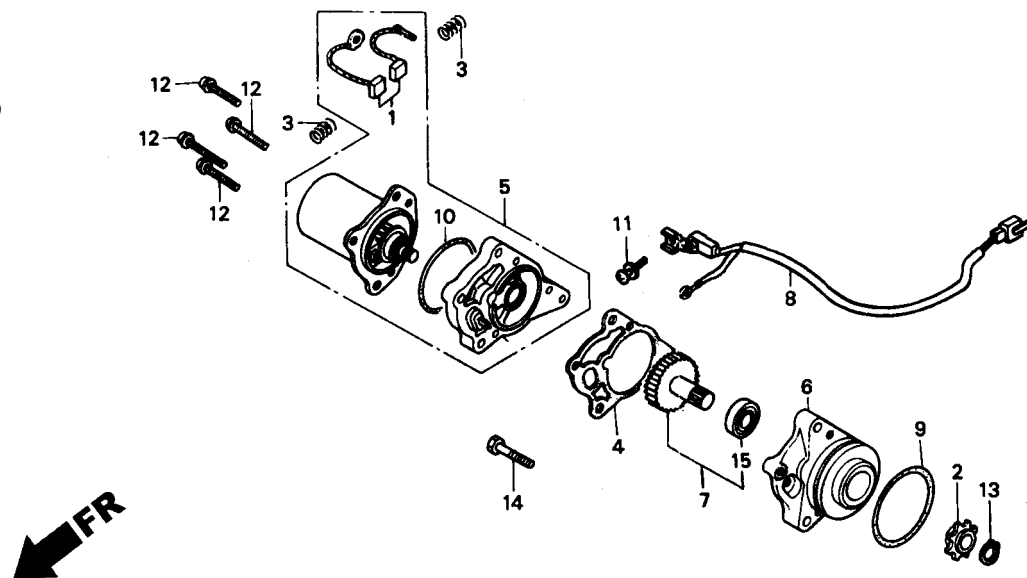


KRST

Service item	F.R.T.	No.	Part Number	Description	Q'ty	Notes
GUIDE, STARTER CHAIN	0.3	1	11321-179-710	PLATE, OIL SEPARATE	1	
CHAIN, STARTING	0.5	2	28101-GB4-701	CHAIN, STARTING	1	
ROLLER, 10X10		3	28102-GB4-700	GUIDE, STARTING CHAIN	1	
OIL SEAL, 30X42X4.5		4	28103-GB4-700	PROTECTOR, STARTER CHAIN	1	
OIL SEAL, 18.9X28X5		5	28110-GB4-700	SPROCKET COMP., STARTING	1	
O-RING, 107X20		6	28117-KFL-850	PLATE, STARTING SPROCKET SETTING	1	
PLATE, OIL SEPARATE	0.6	7	28120-179-710	OUTER COMP., STARTING CLUTCH	1	
SPROCKET COMP., STARTING	0.7	8	28125-179-710	SPRING, STARTING CLUTCH	3	
		9	28126-253-030	CAP, STARTING CLUTCH ROLLER SPRING	3	
		10	28128-179-710	PLATE, STARTING CLUTCH SIDE	1	
		11	90464-GB2-701	CIRCLIP, INTERNAL, 23	2	
		12	91005-GB2-701	BEARING, NEEDLE, 19X23X13	1	
		13	91101-179-710	ROLLER, 10X10	3	
		14	91102-179-711	ROLLER, 5X11.8	1	
		15	91201-GB4-691	OIL SEAL, 30X42X4.5	1	
		16	91202-GB4-692	OIL SEAL, 18.9X28X5	1	
		17	91301-035-003	O-RING, 107X2	1	
		18	91317-171-003	O-RING, 6X1.7	2	
		19	93600-06016-0A	SCREW, FLAT, 6X16	5	
		20	96001-06010-00	BOLT, FLANGE, 6X10	1	

# E - 13

## Starting motor



KRST

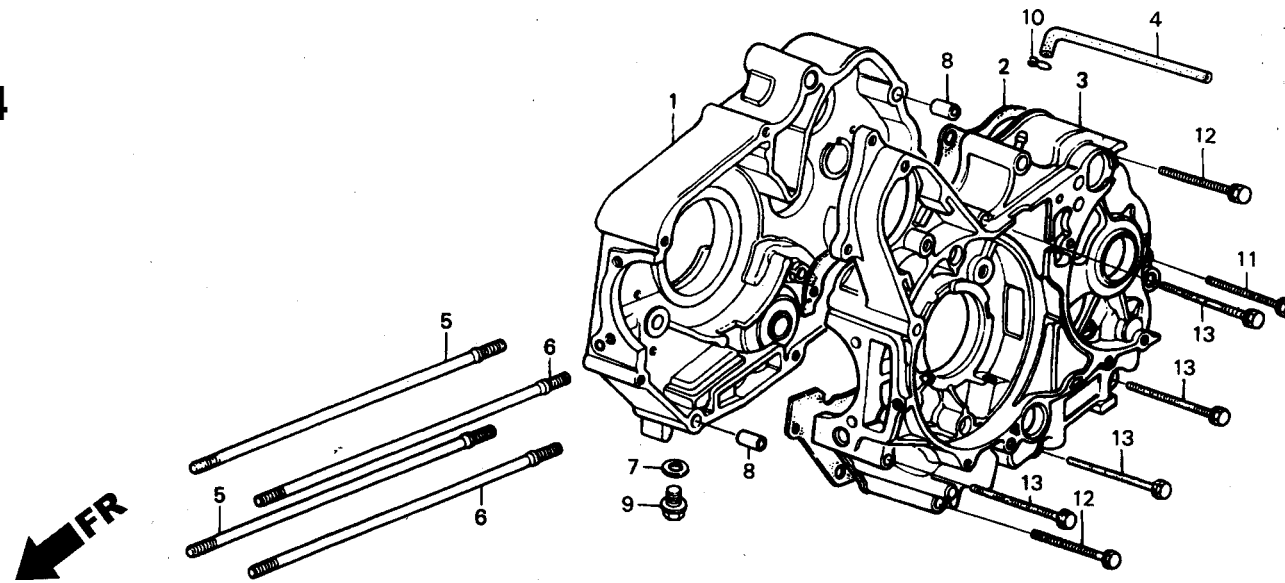
Service item	F.R.T.	No.	Part Number	Description	Q'ty	Notes
SUB HARNESS A	0.4	1	31201-187-701	BRUSH SET	1	
SPROCKET	0.5	2	31202-GB2-700	SPROCKET	1	
MOTOR COMP.	0.8	3	31204-187-701	SPRING, BRUSH	2	
.CASE A, FR		4	31205-GB4-701	PACKING	1	
.GEAR COMP., DRIVEN		5	31208-GB4-701	MOTOR COMP	1	
BRUSH SET	0.9	6	31211-GB4-701	CASE A, FR	1	
		7	31213-GB4-701	GEAR COMP., DRIVEN	1	
		8	32410-KFM-901	SUB HARNESS A	1	
		9	91308-GB4-701	O-RING A	1	
		10	91309-GB2-701	O-RING B	1	
		11	93892-04006-08	SCREW-WASHER, 4X6	1	
		12	93892-05030-08	SCREW-WASHER, 5X30	4	
		13	94510-12000	CIRCLIP, EXTERNAL, 12MM	1	
		14	96001-06045-00	BOLT, FLANGE, 6X45	3	
		15	HB6001	BEARING, RADIAL BALL, 6001	1	

08.08.2003



# E - 14

## Crankcase

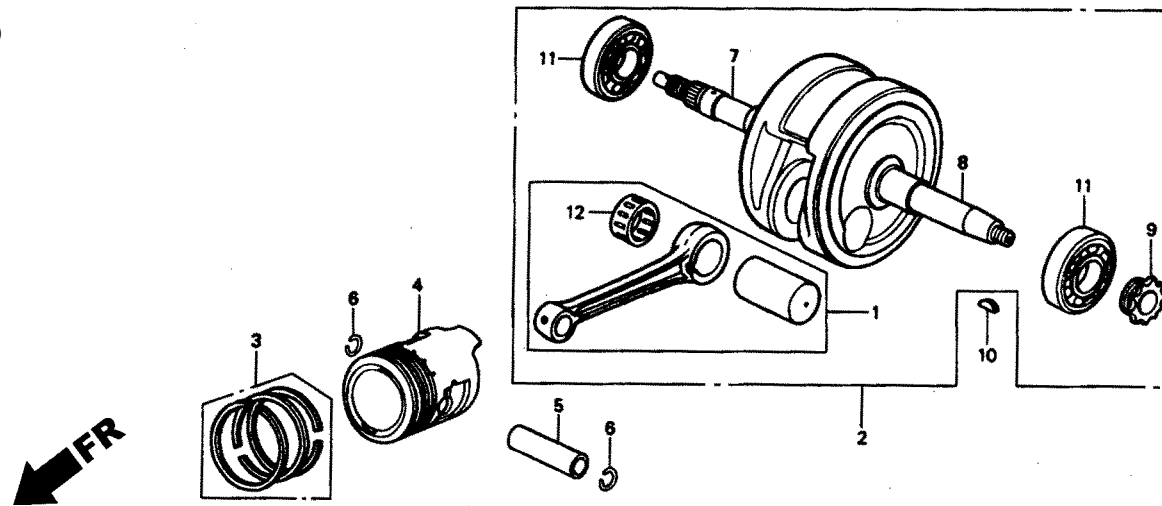


KRST

Service item	F.R.T.	No.	Part Number	Description	Q'ty	Notes
GASKET, CRANKCASE	*3.8	1	11100-KEV-880	CRANKCASE COMP., R	1	
CRANKCASE COMP., R	*4.2	2	11191-KFM-900	GASKET, CRANKCASE	1	
CRANKCASE COMP., L	*4.8	3	11200-KFM-900	CRANKCASE COMP., L	1	
		4	15761-KFL-850	TUBE, BREATHER, 5X335	1	
		5	90031-KFM-900	BOLT A, STUD, 6X199.5X7	1	
		6	90032-KFM-900	BOLT B, STUD, 6X207.5X7	1	
		7	90407-259-000	PACKING, DRAIN COCK, 12.5X20	1	
		8	90704-035-000	PINA, KNOCK, 10X14	1	
		9	92800-12000	BOLT, DRAIN PLUG, 12MM	1	
		10	95002-50000	CLIP, TUBE	1	
		11	96001-06050-00	BOLT, FLANGE, 6X50	1	
		12	96001-06060-00	BOLT, FLANGE, 6X60	1	
		13	96001-06065-00	BOLT, FLANGE, 6X65	1	

# E - 15

## Crankshaft/ Piston

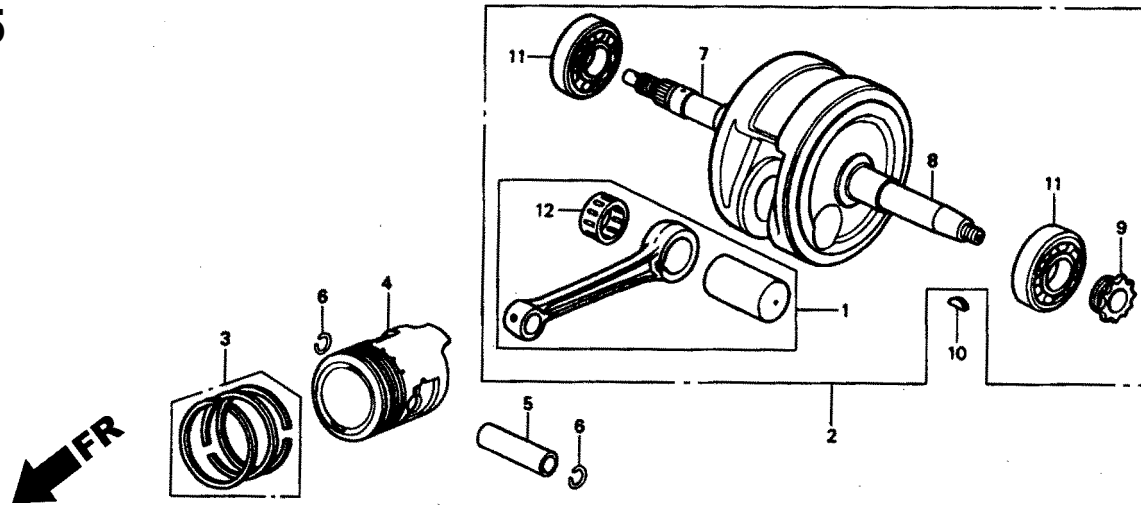


KRST

Service item	F.R.T.	No.	Part Number	Description	Q'ty	Notes
PIN, PISTON	1.4	1	06381-KFM-900	ROD, CONNECTING	1	
RING SET, PISTON	1.5	2	13000-KFM-900	CRANKSHAFT COMP.	1	
.PISTON		3	13011-KFL-852	RING SET, PISTON (STD)	1	
CRANKSHAFT COMP.	*4.2		13012-KFL-852	RING SET, PISTON (0.25)	1	
BEARING, RADIAL BALL, 6304	*4.4		13013-KFL-852	RING SET, PISTON (0.50)	1	
			13014-KFL-852	RING SET, PISTON (0.75)	1	
			13015-KFL-852	RING SET, PISTON (1.00)	1	
		4	13101-KFV-950	PISTON	1	
			13102-KFV-950	PISTON (0.25)	1	
			13103-KFV-950	PISTON (0.50)	1	
			13104-KFV-950	PISTON (0.75)	1	
			13105-KFV-950	PISTON (1.00)	1	
		5	13111-GB0-910	PIN, PISTON	1	
		6	13115-GN5-910	CLIP, PISTON PIN, 13MM	2	
		7	13310-KFM-900	CRANKSHAFT COMP., RIGHT	1	
		8	13321-GN5-910	CRANKSHAFT, LEFT	1	
		9	14311-KFL-850	SPROCKET, TIMING	1	
		10	90741-003-010	KEY, WOODRUFF, 4MM	1	

08.08.2003

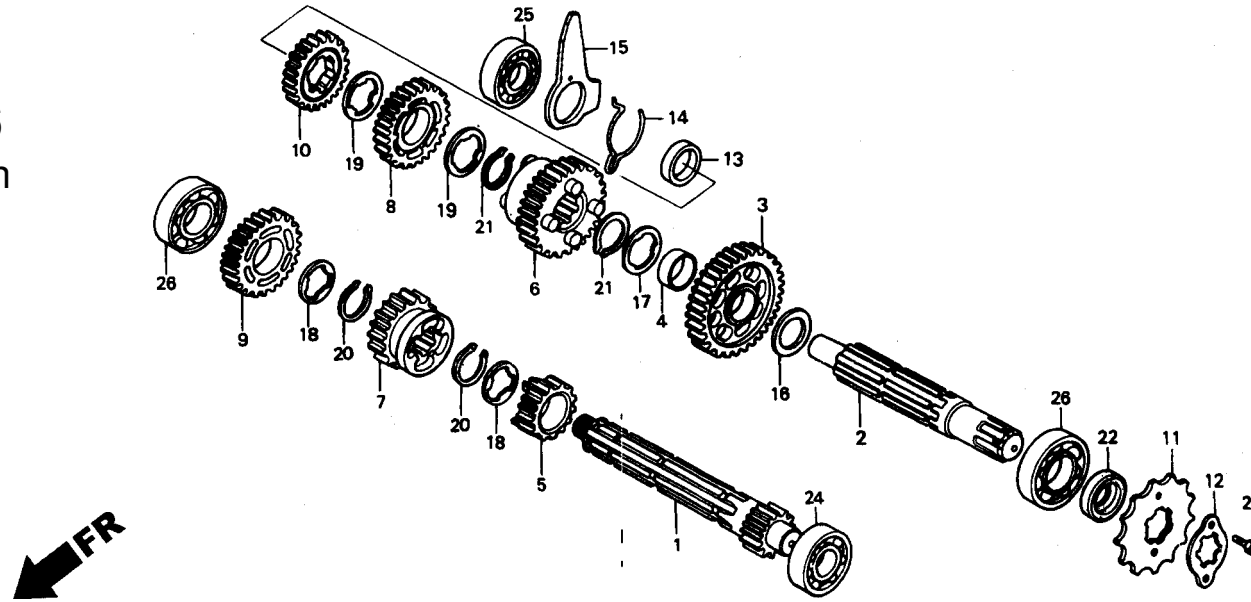
**E - 15**  
Crankshaft/  
Piston



KRST

Service item	F.R.T.	No.	Part Number	Description	Q'ty	Notes
		11	HB6304	BEARING, RADIAL BALL, 6304	2	
		12	91101-GF6-003	BEARING, CON. ROD BIG END (RED)	1	
			91102-GF6-003	BEARING, CON. ROD BIG END (BLUE)	1	
			91103-GF6-003	BEARING, CON. ROD BIG END (WHITE)	1	

# E - 16 Transmission

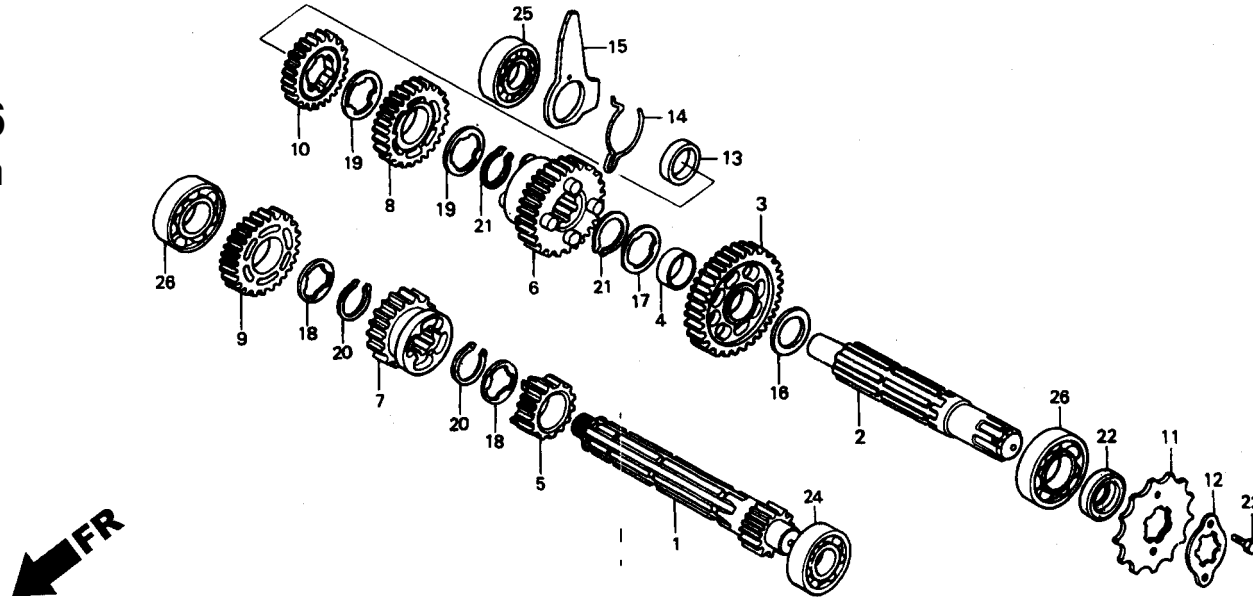


KRST

Service item	F.R.T.	No.	Part Number	Description	Q'ty	Notes
SPROCKET, DRIVE MAINSHAFT COUNTERSHAFT	0.2 *4.2	1	23211-KFM-900	MAINSHAFT (12T)	1	
		2	23221-GN5-910	COUNTERSHAFT	1	
		3	23421-KEV-900	GEAR, COUNTERSHAFT LOW (34T)	1	
		4	23422-GB4-770	BUSH, 20X9	1	
		5	23431-KEV-900	GEAR, MAINSHAFT SECOND (17T)	1	
		6	23441-KEV-900	GEAR, COUNTERSHAFT SECOND (29T)	1	
		7	23451-KFL-850	GEAR, MAINSHAFT THIRD (21T)	1	
		8	23461-GK4-762	GEAR, COUNTERSHAFT THIRD (26T)	1	
		9	23471-KEV-750	GEAR, MAINSHAFT FOURTH (24T)	1	
		10	23481-GB4-771	GEAR, COUNTERSHAFT FOURTH (23T)	1	
		11	23801-KEV-880	SPROCKET, DRIVE (15T)	1	
		12	23802-GN5-910	PLATE, FIXING	1	
		13	23911-GB4-770	COLLAR, LOCK PLATE	1	
		14	24305-GB4-770	SPRING, CHANGE, FRICTION	1	
		15	94510-20000	PLATE, GEARSHIFT DRUM LOCK	1	
		16	90452-GB4-770	WASHER, THRUST, 17MM	1	
		17	90461-GB4-770	WASHER, SPLINE 20X1.2	1	
		18	90461-035-002	WASHER, SPLINE, 17MM	2	
		19	90461-459-010	WASHER, SPLINE, 20MM	2	
		20	90601-001-005	CIRCLIP, 17MM	2	

08.08.2003

**E - 16**  
Transmission

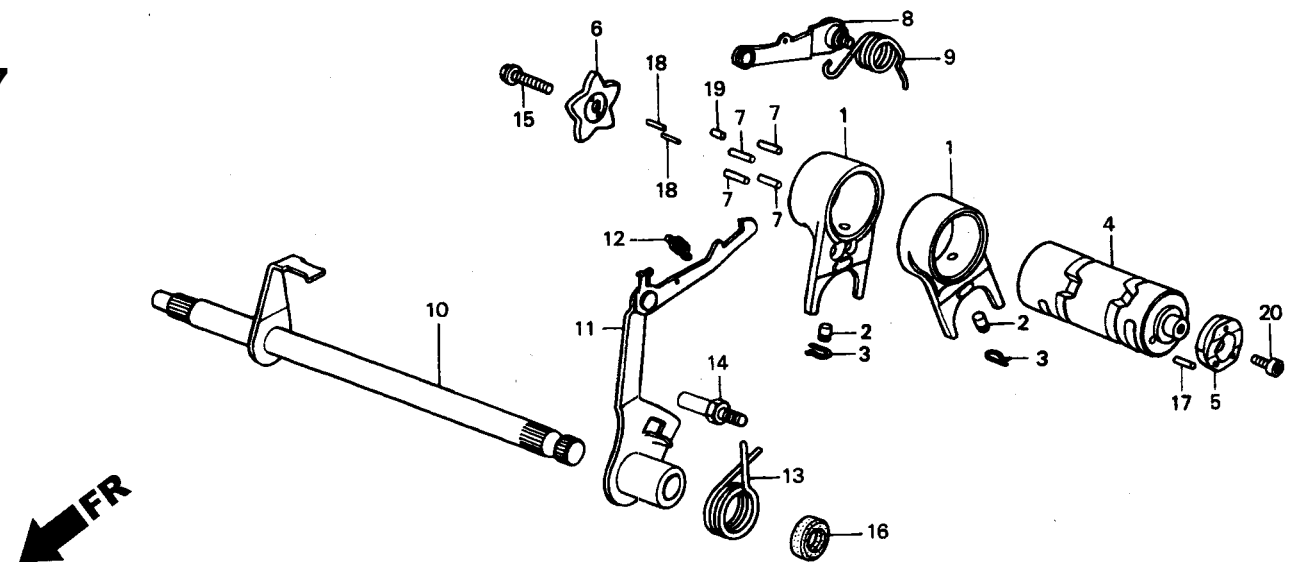


KRST

Service item	F.R.T.	No.	Part Number	Description	Q'ty	Notes
		21	90601-459-000	CIRCLIP,20MM	2	
		22	91203-GB5-761	OIL SEAL, 17X29X5	1	
		23	92101-06010-0A	BOLT, HEX., 6X10	2	
		24	HB6001	BEARING, RADIAL BALL 6001	1	
		25	HB6201	BEARING, RADIAL BALL 6201	1	
		26	HB6203	BEARING, RADIAL BALL 6203	2	

# E - 17

## Gearshift drum

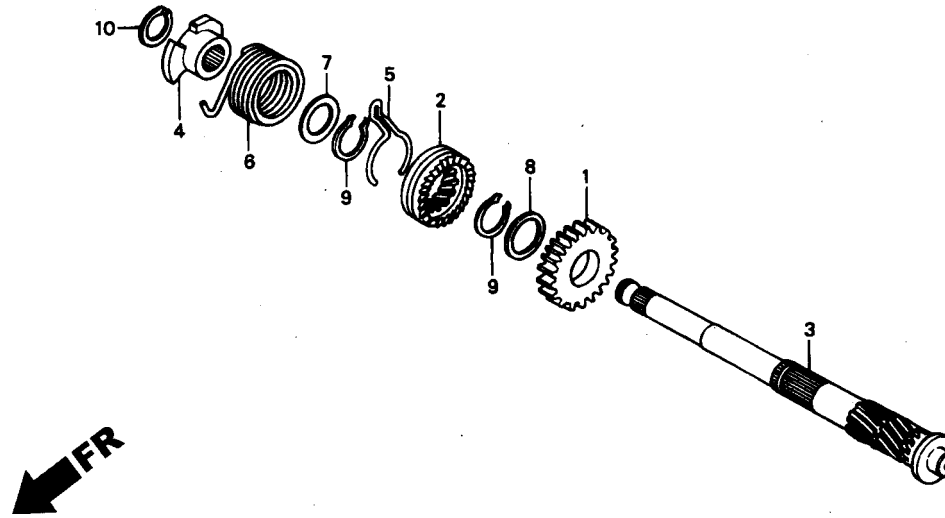


KRST

Service item	F.R.T.	No.	Part Number	Description	Q'ty	Notes
PLATE, GEARSHIFT DRUM STOPPER	1.1	1	24211-KFM-900	FORK, GEARSHIFT	2	
.ARM COMP., SHIFT DRUM STOPPER		2	24261-121-742	PIN, GEARSHIFT FORK GUIDE	2	
SPINDLE COMP., GEARSHIFT	1.2	3	24263-028-000	CLIP, GEARSHIFT FORK GUIDE PIN	2	
.ARM COMP., GEARSHIFT		4	24301-KFL-850	DRUM, GEARSHIFT	1	
FORK, GEARSHIFT	4.0	5	24320-KFL-850	PLATE ASSY., CONTACT	1	
.DRUM, GEARSHIFT		6	24411-GB4-771	PLATE, GEARSHIFT DRUM STOPPER	1	
		7	24421-200-000	PIN, GEARSHIFT DRUM	4	
		8	24430-GB4-772	ARM COMP., SHIFT DRUM STOPPER	1	
		9	24435-GB4-721	SPRING, GEARSHIFT DRUM STOPPER	1	
		10	24610-GN5-900	SPINDLE COMP., GEARSHIFT	1	
		11	24630-GN5-941	ARM COMP., GEARSHIFT	1	
		12	24641-041-001	SPRING, GEARSHIFT ARM	1	
		13	24651-041-001	SPRING, GEARSHIFT RETURN	1	
		14	24652-035-000	PIN, SHIFT RETURNSPRING	1	
		15	90071-171-010	BOLT, KNOCK, 6MM	1	
		16	91208-KB4-671	OIL SEAL, 11.6X24X10	1	
		17	94305-20062	PIN SPRING, 2X6	1	
		18	96220-30085	ROLLER, 3X8.5	2	
		19	96220-40100	ROLLER, 4X10	1	
		20	96600-06016-10	BOLT, SOCKET, 6X16	1	

08.08.2003

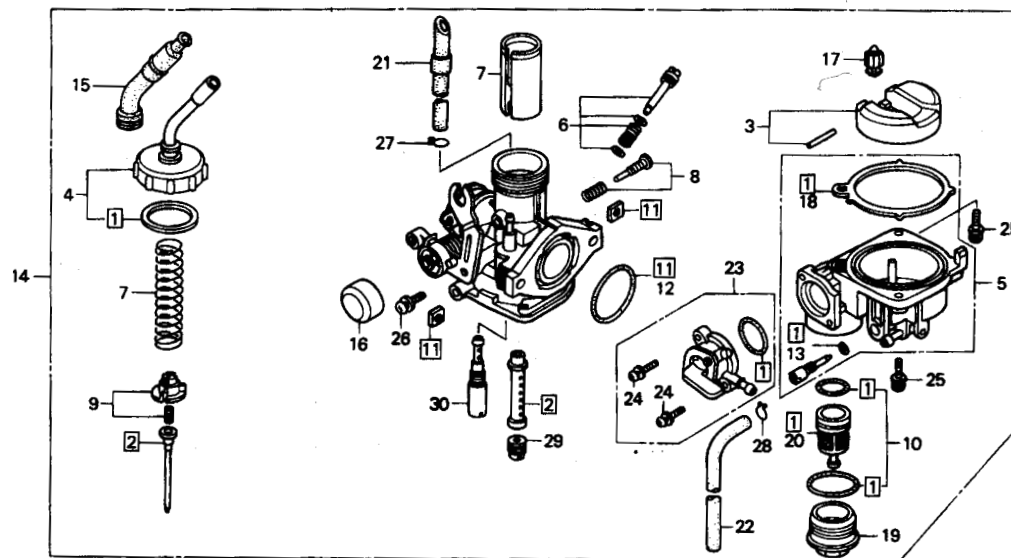
**E - 18**  
Kickstarter  
spindle



KRST

Service item	F.R.T.	No.	Part Number	Description	Q'ty	Notes
SPRING, KICK STARTER	1.1	1	28211-178-000	PINION, KICK STARTER (22T)	1	
PINION, KICK STARTER	*3.9	2	28221-178-000	RATCHET, STARTER DRIVE	1	
SPINDLE, KICK STARTER		3	28251-KEV-900	SPINDLE, KICK STARTER	1	
		4	28262-041-731	RETAINER, KICK SPRING	1	
		5	28271-121-690	SPRING, STARTER PINION FRICTION	1	
		6	28281-035-003	SPRING, KICK STARTER	1	
		7	90452-115-000	WASHER, 17MM	1	
		8	90454-107-000	WASHER, THRUST, 20MM	1	
		9	90605-200-000	SET RING, 20MM	2	
		10	94510-16000	CIRCLIP, EXTERNAL, 16MM	1	

# E - 19 Carburetor



KRST

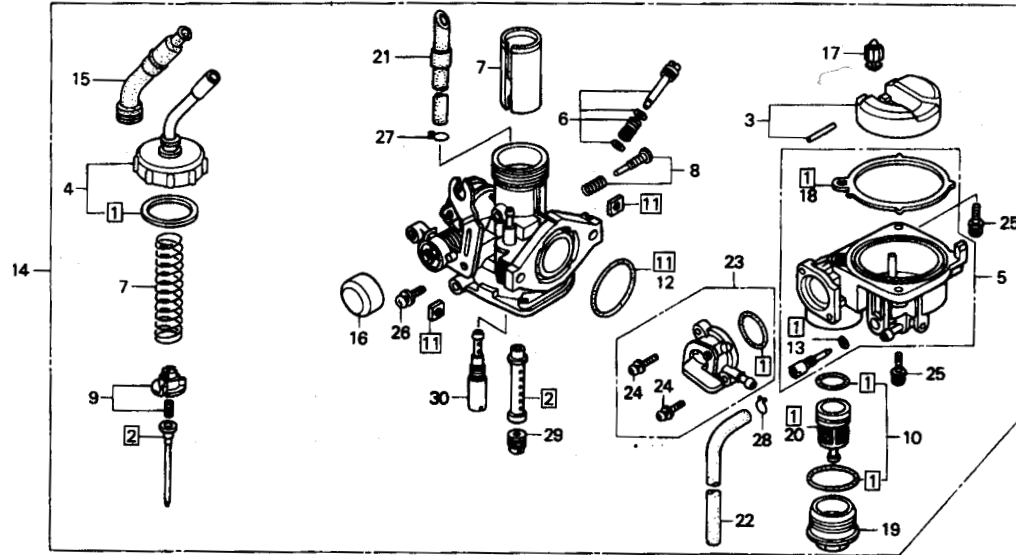
Service item	F.R.T.	No.	Part Number	Description	Q'ty	Notes
BODY SET, COCK	0.1	1	16010-GBG-960	GASKET SET	1	
TOP SET	0.2	2	16012-KFV-841	NEEDLE SET, JET	1	
VALVE SET, THROTTLE	0.3	3	16013-KEV-900	FLOAT SET	1	
CHAMBER SET, FLOAT	0.5	4	16014-KEV-900	TOP SET	1	
FLOAT SET	0.6	5	16015-GBG-960	CHAMBER SET, FLOAT	1	
.CARBURETOR ASSY		6	16016-KEV-831	SCREW SET	1	
.VALVE COMP., FLOAT		7	16022-GBG-861	VALVE SET, THROTTLE	1	
.JET, MAIN		8	16028-KEV-900	SCREW SET	1	
NEEDLE SET, JET	0.7	9	16037-KFM-901	PLATE SET, VALVE	1	
		10	16040-KEV-900	GASKET SET	1	
		11	16041-GB5-D30	NUT SET, SQUARE	1	
		12	16075-GHB-B40	O-RING, 2.4X25	1	
		13	16075-GHB-640	O-RING, 1.3X4.3	1	
		14	16100-KRS-A01	CARBURETOR ASSY	1	
		15	16118-GB4-003	CAP, CABLE SEALING	1	
		16	16148-141-881	CAP, CHOKE DUST	1	
		17	16155-KRS-861	VALVE COMP., FLOAT	1	
		18	16163-GBG-960	GASKET, FLOAT CHAMBER	1	
		19	16175-GB0-911	CUP, FUEL STRAINER	1	
		20	16176-GB0-911	SCREEN, FUEL STRAINER	1	

08.08.2003



# E - 19

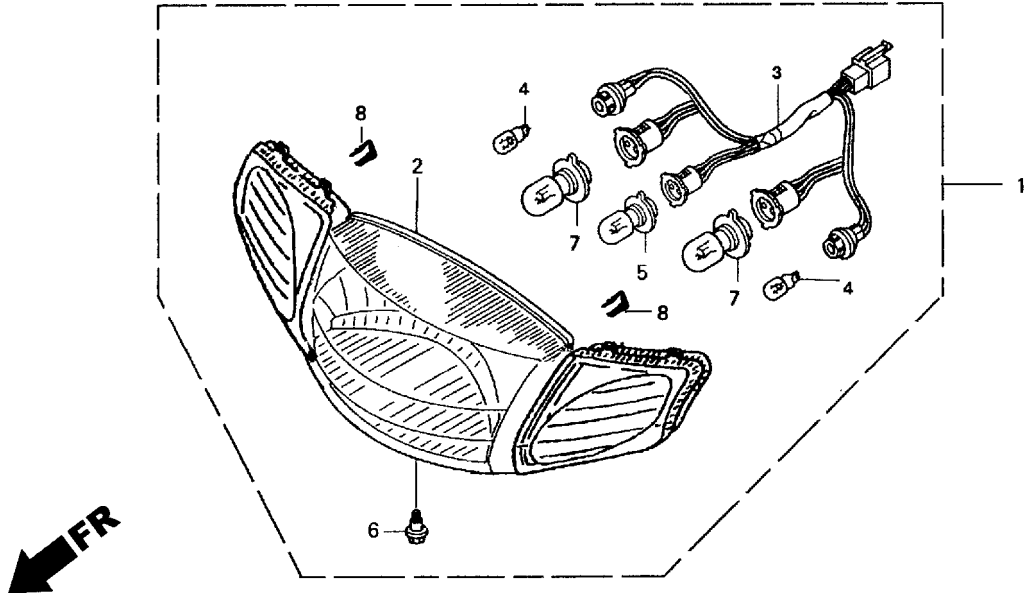
## Carburetor



KRST

Service item	F.R.T.	No.	Part Number	Description	Q'ty	Notes
		21	16199-GB0-901	TUBE, AIR VENT	1	
		22	16199-428-771	TUBE, OVERFLOW	1	
		23	16951-KEV-900	BODY SET, COCK	1	
		24	93892-03012-18	SCREW-WASHER, 3X12	2	
		25	93892-04018-18	SCREW-WASHER, 4X18	2	
		26	93892-05010-18	SCREW-WASHER, 5X10	1	
		27	95002-02089	CLIP, TUBE (B8)	1	
		28	95002-02659	CLIP, TUBE (B6.5)	1	
		29	99101-KRL-070	JET, MAIN, #70	1	
		30	99103-KFM-038	JET, MAIN, #38	1	

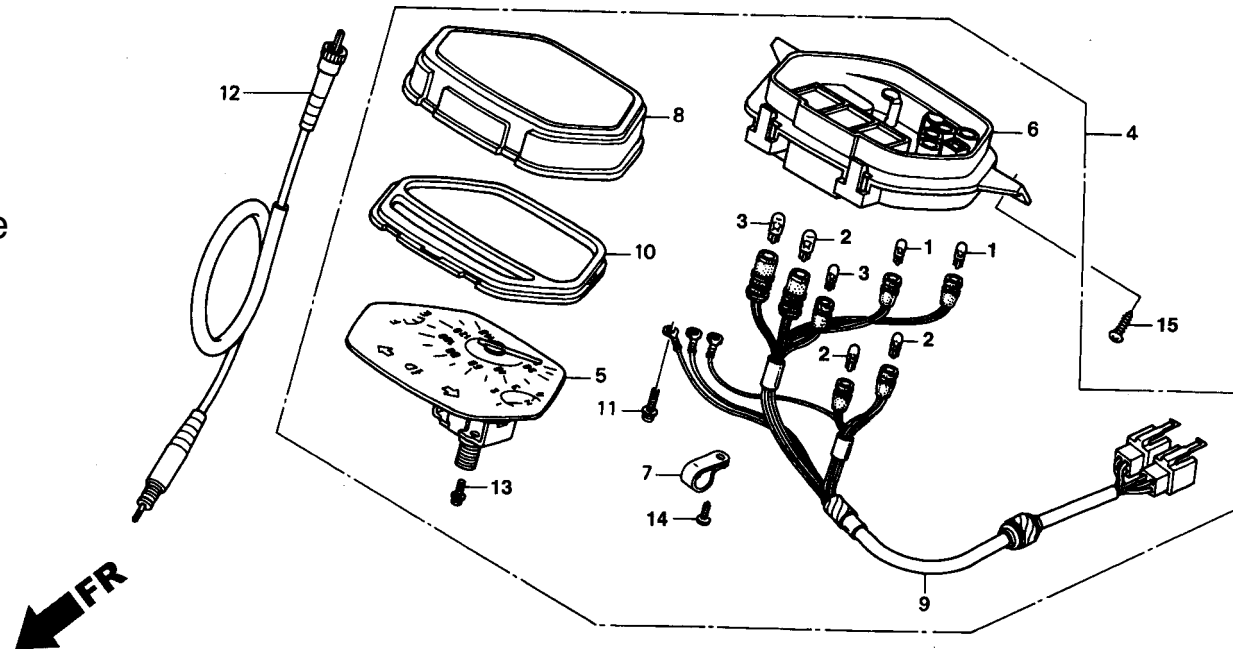
**F - 1**  
Handle lever



KRST

Service item	F.R.T.	No.	Part Number	Description	Q'ty	Notes
HEADLIGHT ASSY	0.2	1	33100-KRS-A00	LIGHT ASSY., HEAD	1	
.SOCKET COMP., HEADLIGHT		2	33120-KEV-601	HEADLIGHT UNIT	1	
.BULB, HEADLIGHT		3	33130-KEV-601	SOCKET COMP., HEADLIGHT	1	
		4	34905-KAN-W01	BULB, WINKER	2	
		5	34908-GA7-701	BULB, WEDGE BASE	1	
		6	90101-GJ6-000	BOLT, ADJUSTING	1	
		7	34901-KRS-901	BULB, HEADLIGHT	2	
		8	53203-KRS-A00	CLIP, HEADLIGHT	2	

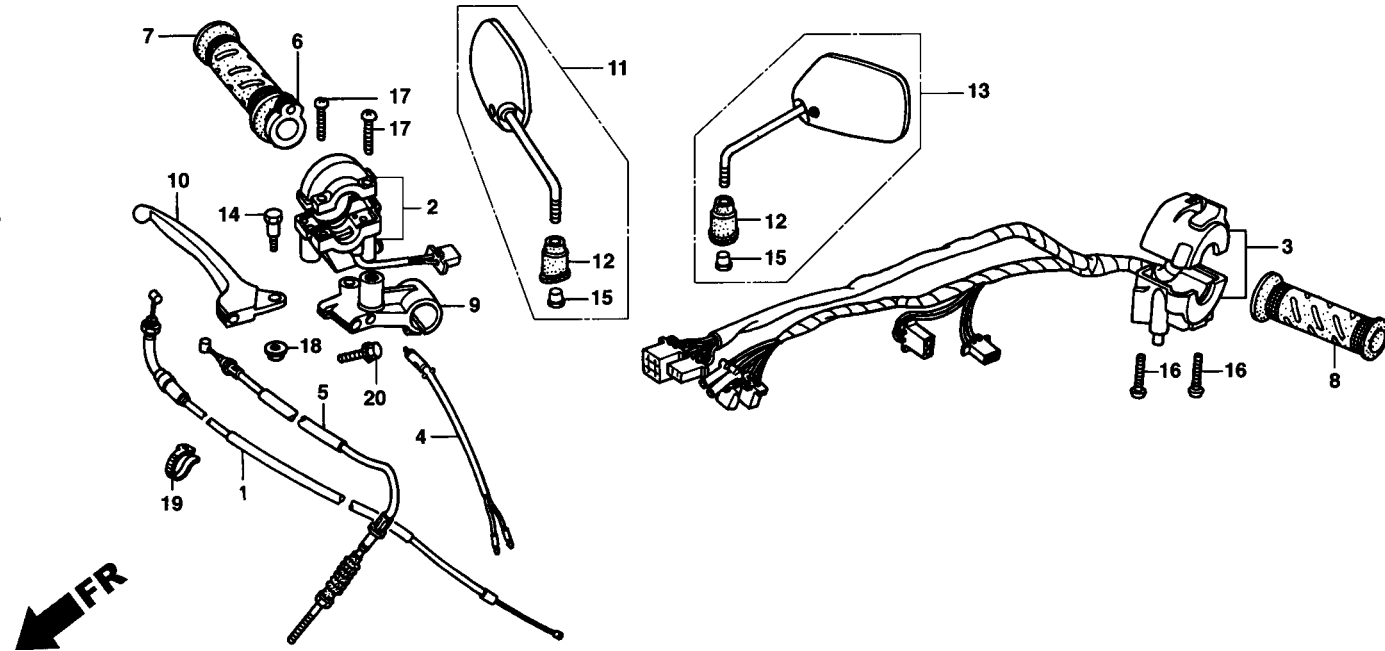
## F - 2 Switch/Cable



KRST

Service item	F.R.T.	No.	Part Number	Description	Q'ty	Notes
SPEEDOMETER ASSY	0.4	1	34908-MB9-671	BULB, WEGBASE (T6.5)	2	
.SOCKET COMP.		2	34918-KCS-920	BULB, WEGBASE (T6.5)	6	
SPEEDOMETER COMP.	0.5	3	34928-KCS-920	BULB, WEGBASE (T6.5)	2	
.CASE ASSY.		4	37200-KRS-A00	SPEEDOMETER ASSY.	1	
LENS	0.3	5	37210-KRS-A00	SPEEDOMETER COMP.	1	
.PLATE REFLECTING		6	37212-KEV-701	CASE ASSY.	1	
.CABLE COMP., SPEEDOMETER		7	37215-MB6-831	CLAMP	1	
		8	37221-KEV-881	LENS	1	
		9	37223-KEV-701	SOCKET COMP.	1	
		10	37302-KEV-881	PLATE, REFLECTING ASSY	1	
		11	37305-KE5-008	SCREW WASHER, 3X22	3	
		12	44830-KEV-880	CABLE COMP., SPEEDOMETER	1	
		13	90035-GW3-980	SCREW WASHER, SPECIAL, 4X10	2	
		14	93903-24420	SCREW, TAPPING, 4X16	1	
		15	93903-25310	SCREW, TAPPING, 5X16	2	

# F - 3 Handle lever



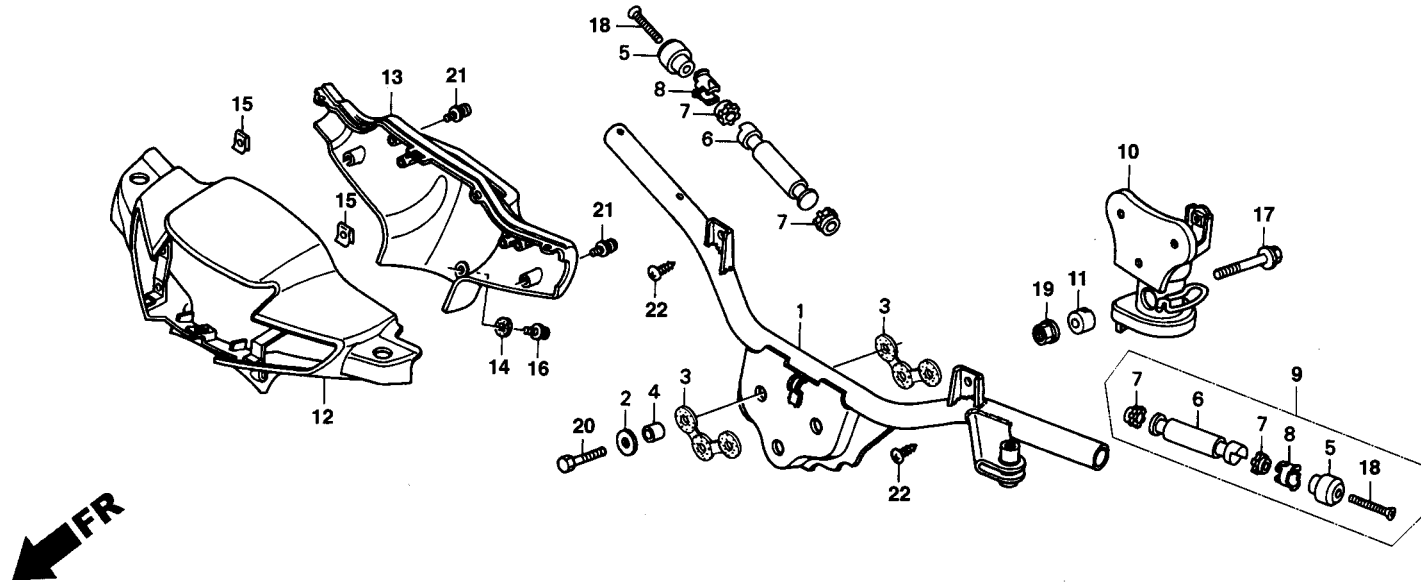
KRST

Service item	F.R.T.	No.	Part Number	Description	Q'ty	Notes
CABLE COMP., THROTTLE	0.5	1	17910-KEV-900	CABLE COMP., THROTTLE	1	
.SWITCHASSY., STARTER		2	35150-KEV-900	SWITCHASSY., STARTER	1	
CABLE COMP., FR. BRAKE	0.4	3	35200-KEV-950	SWITCHASSY., WINKER	1	
.GRIP, L. HANDLE		4	35340-KEV-950	SWITCHASSY., FR STOP	1	
.LEVER, R. STEERING HANDLE		5	45450-KEV-880	CABLE COMP., FR. BRAKE	1	
SWITCHASSY., WINKER	0.6	6	53141-KEV-FM0	PIPE, THEROTTLE GRIP	1	
SWITCHASSY., FR. STOP	0.3	7	53165-KEV-FM0	GRIP, R. HANDLE	1	
.LEVER, R. BRACKET		8	53166-KEV-FM0	GRIP, L. HANDLE	1	
GRIP, R. HANDLE	0.2	9	53171-KEV-880	LEVER, R. HANDLE	1	
GRIP, L. HANDLE	0.1	10	53175-KEV-610	LEVER, R. STEERING HANDLE	1	
		11	88110-KRS-A00	MIRROR ASSY., R. BACK	1	
		12	88113-KET-900	CAP, LOCK NUT	2	
		13	88120-KRS-A00	MIRROR ASSY., L. BACK	1	
		14	90115-GE0-000	BOLT, HANDLE LEVER PIVOT	1	
		15	90413-KET-900	NUT, LOCK	2	
		16	93500-05020-0G	SCREW, PAN, 5X20	2	
		17	93500-05025-0G	SCREW, PAN, 5X25	2	
		18	94001-05000-0S	NUT, HEX., 5MM	1	
		19	95014-62100	BAND B1, WIRE	1	
		20	96001-06025-00	BOLT, FLANGE, 6X25	1	

08.08.2003

## F - 4

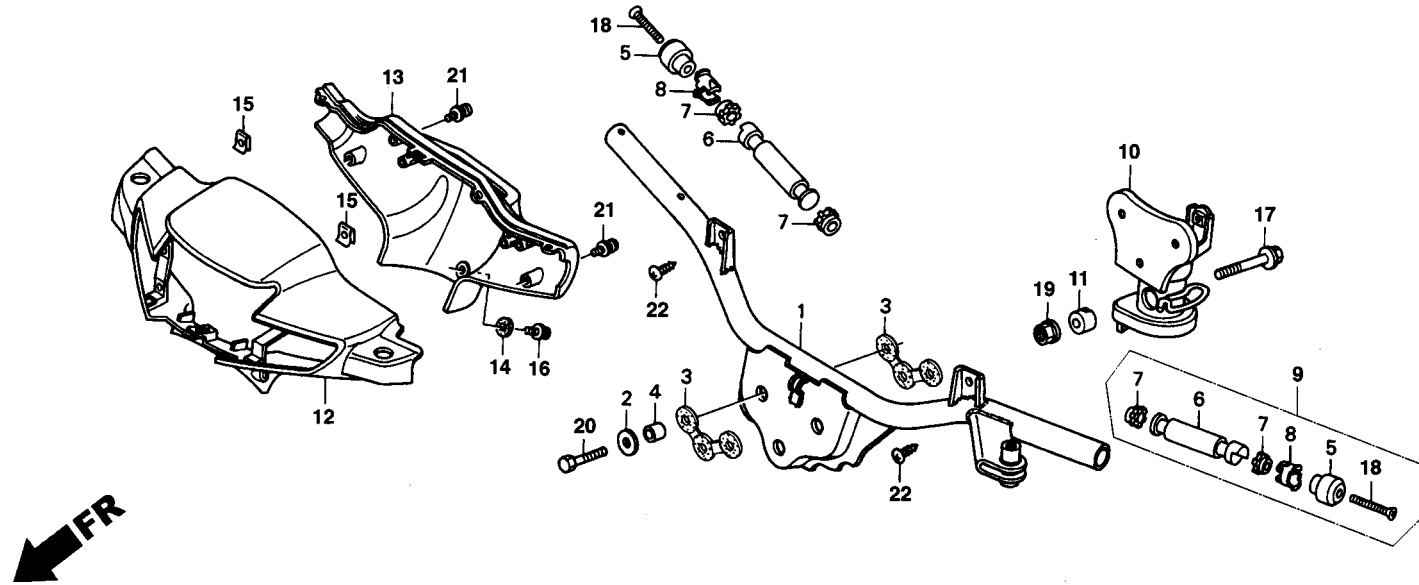
### Handle lever



KRST

Service item	F.R.T.	No.	Part Number	Description	Q'ty	Notes
HANDLE COMP., STEERING	0.7	1	53100-KRS-A10	HANDLE COMP., STEERING	1	
WEIGHT B, STEERING HANDLE	0.2	2	53101-GN5-900	PLATE, HANDLE SETTING	3	
HOLDER COMP., HANDLE	0.5	3	53102-GN5-960	RUBBER, HANDLE MOUNTING	2	
COVER, HANDLE FR.	0.3	4	53103-KEV-900	COLLAR, HANDLE SETTING	3	
COVER, HANDLE RR.	0.4	5	53105-KEV-600	WEIGHT A, STEERING HANDLE	2	
		6	53106-KEV-600	WEIGHT B, STEERING HANDLE	3	
		7	53107-MB6-630	RUBBER, HANDLE WEIGHT	2	
		8	53108-KR3-770	RING, HANDLE WEIGHT SNAP	2	
		9	53110-KEV-600	WEIGHT ASSY., HANDLE	2	
		10	53120-KEV-880	HOLDER COMP., HANDLE	1	
		11	53125-GN5-960	COLLAR, HANDLE SETTING	1	
		12	53205-KEV-A00	COVER, HANDLE FR.	1	
			53205-KEV-A00FMB	COVER, HANDLE FR.(BLACK)	1	
			53205-KEV-A00FMP	COVER, HANDLE FR.(SHPRL BL)	1	
		13	53206-KRS-A00ZA	COVER, HANDLE RR.	1	
		14	53208-KAN-850	RUBBER, HANDLE COVER	1	
		15	64521-MN5-000	NUT, CLIP, 4MM	2	

**F - 4**  
Steering handle/  
Handle cover

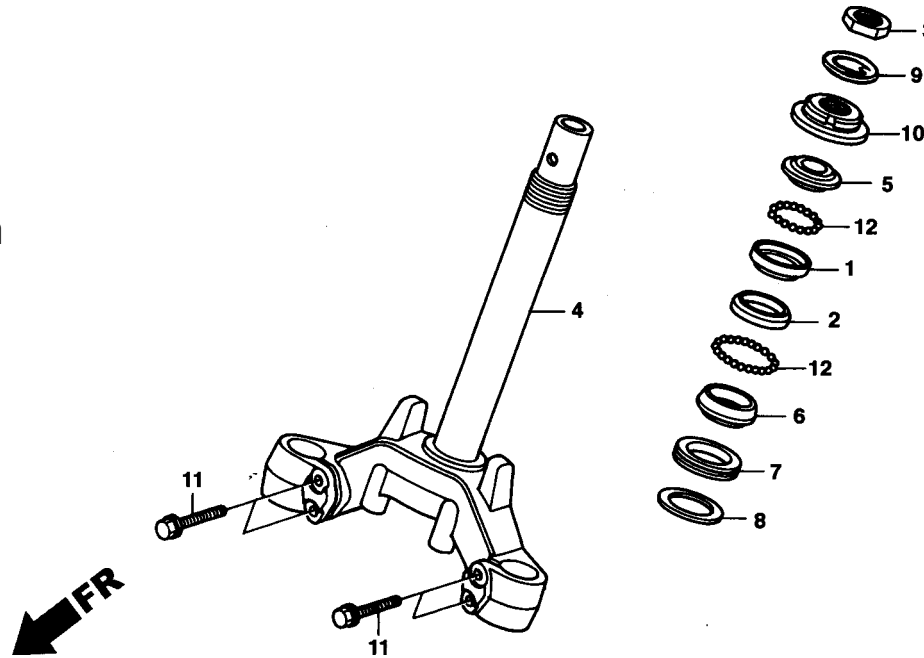


KRST

Service item	F.R.T.	No.	Part Number	Description	Q'ty	Notes
		16	90103-KAN-850	SCREW, 5X12	1	
		17	90106-GN5-900	BOLT, FLANGE, 10X50	1	
		18	90126-MJ4-700	SCREW, STEERING HANDLE WEIGHT	2	
		19	90304-GE8-003	NUT, FLANGE, 10MM	1	
		20	92101-08025-0H	BOLT, HEX., 8X25	3	
		21	93891-04016-07	SCREW-WASHER, 4X16	2	
		22	93903-34380	SCREW, TAPPING, 4X12	4	

## F - 5

### Steering stem

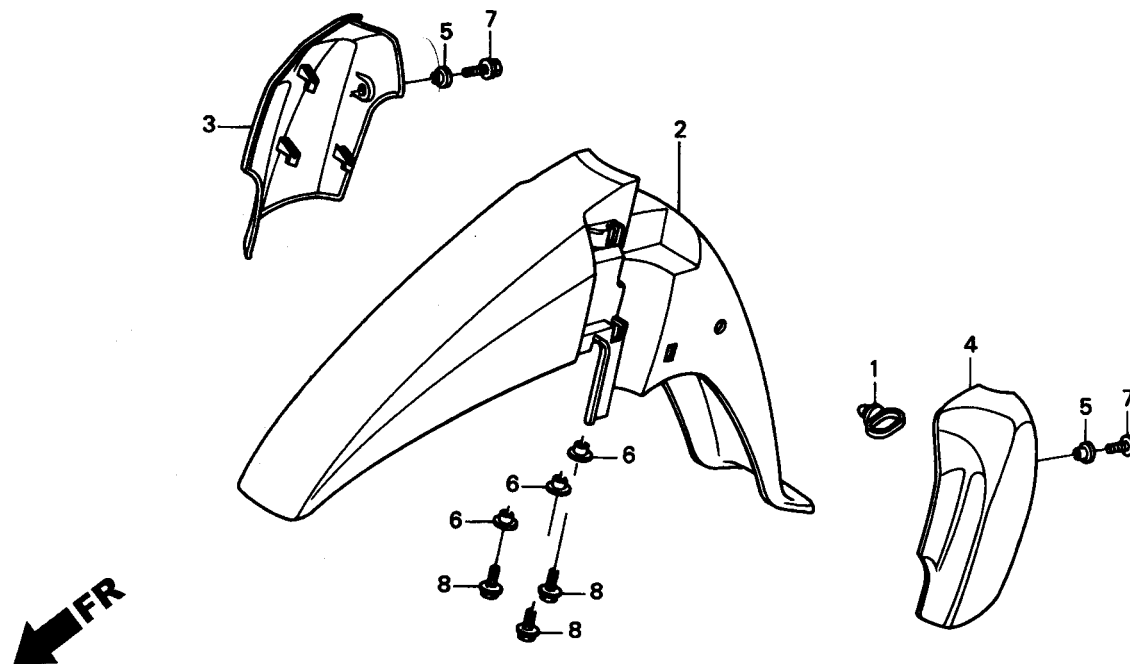


KRST

Service item	F.R.T.	No.	Part Number	Description	Q'ty	Notes
RACE, STEERING BALL	1.1	1	50301-GN5-901	RACE, STEERING TOP BALL	1	
(SATU ATAU SEMUANYA)		2	50302-GN5-900	RACE, STEERING BOTTOM BALL	1	
.RACE, STEERING BOTTOM CONE		3	50306-GN5-900	NUT, STEERING STEM LOCK	1	
RACE, STEERING TOP CONE	0.5	4	53200-KEV-880	STEM COMP., STEERING	1	
.THREAD COMP., STEERING		5	53211-GN5-900	RACE, STEERING TOP CONE	1	
STEM COMP., STEERING	1.0	6	53212-GN5-900	RACE, STEERING BOTTOM CONE	1	
		7	53214-GN5-900	DUST SEAL, STEERING HEAD	1	
		8	53215-GN5-900	WASHER, STEERING HEAD DUST SEAL	1	
		9	53216-GN5-830	WASHER, STEM NUT	1	
		10	53220-GN5-900	THREAD COMP., STEERING HEAD TOP	1	
		11	95801-10045-00	BOLT, FLANGE, 10X45	4	
		12	96211-06000	BALL, STEEL, NO. 6 (UP=23, LOW=29)	52	

# F - 6

## Front fender



KRST

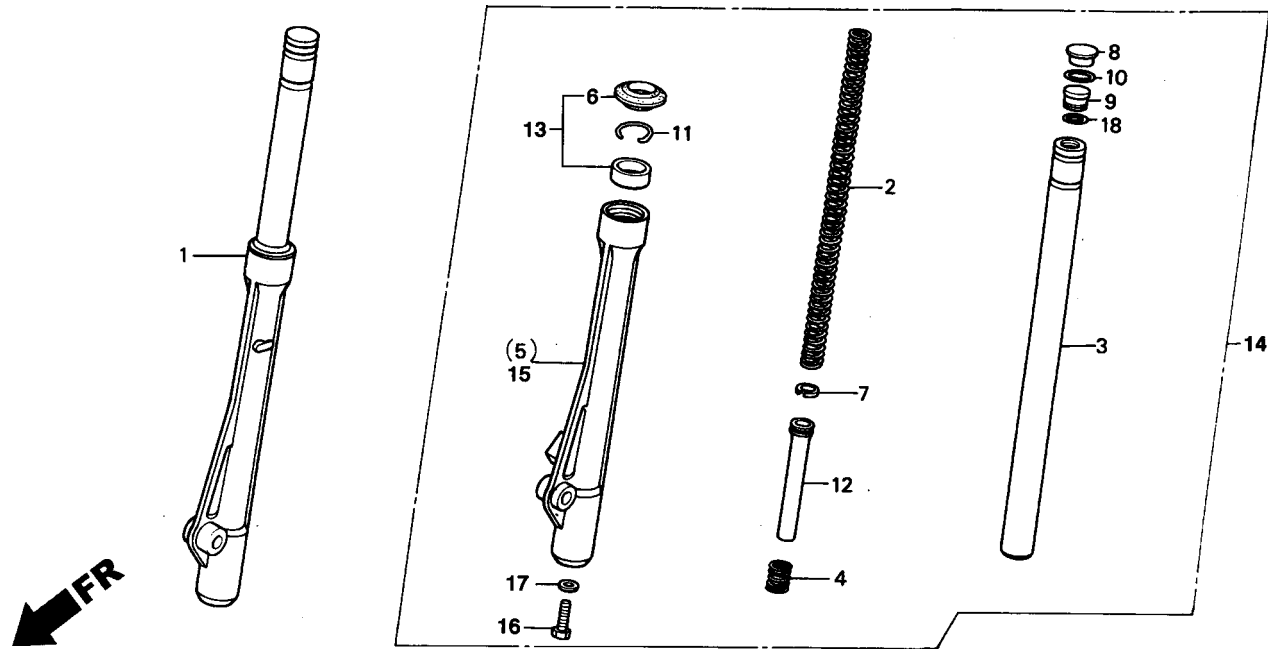
Service item	F.R.T.	No.	Part Number	Description	Q'ty	Notes
FENDER, FR.	0.3	1	45451-GN5-730	GROMMET, WIRE	1	
COVER, FR. FORK (SATU ATAU SEMUANYA)	0.1	2	61100-KRS-A00FMB	FENDER, FR. (BLACK)	1	
			61100-KRS-A00FMH	FENDER, FR. (SILVER)	1	
			61100-KRS-A00FMK	FENDER, FR. (MAGNA RED)	1	
			61100-KRS-A00FMP	FENDER, FR. (SHRPL BL)	1	
		3	61200-KEV-880FMB	COVER R. FR. FORK (BLACK)	1	
			61200-KEV-880FMH	COVER R. FR. FORK (SILVER)	1	
			61200-KEV-880FMK	COVER R. FR. FORK (MAGNA RED)	1	
			61200-KEV-650FMP	COVER R. FR. FORK (SHRPL BL)	1	
		4	61400-KEV-880FMB	COVER L. FR. FORK (BLACK)	1	
			61400-KEV-880FMH	COVER L. FR. FORK (SILVER)	1	
			61400-KEV-880FMK	COVER L. FR. FORK (MAGNA RED)	1	
			61400-KEV-880FMP	COVER L. FR. FORK (SHRPL BL)	1	
		5	81312-KW7-900	COLLAR, FR. FENDER	2	
		6	90503-KEV-880	COLLAR, FR. FENDER	3	
		7	96001-06014-00	BOLT, FLANGE, 6X14	2	
		8	96001-06016-00	BOLT, FLANGE, 6X16	3	

08.08.2003



## F - 7

### Front fork

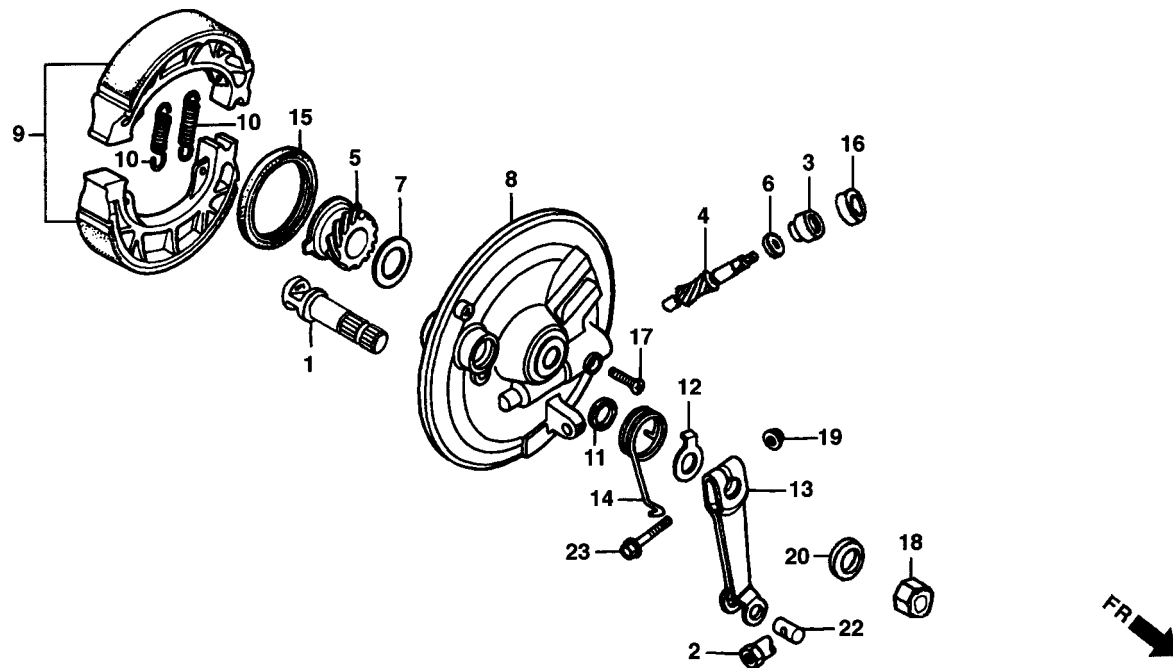


KRST

Service item	F.R.T.	No.	Part Number	Description	Q'ty	Notes
FORK ASSY., FR.	0.5	1	51400-KEV-880	FORK ASSY., R. FR	1	
(TAMBAHKAN 0.2 UNTUK MASING-MASING)		2	51401-KEV-881	SPRING, FR. FORK	2	
SPRING, FR. FORK	0.7	3	51410-KEV-881	PIPE COMP., FR. FORK	2	
(TAMBAHKAN 0.3 UNTUK MASING-MASING)		4	51412-GN5-901	SPRING, REBOUND	2	
PIPE COMP., FR. FORK	0.8	5	51420-KEV-881	CASE, R. BOTTOM	1	
(TAMBAHKAN 0.5 UNTUK MASING-MASING)		6	51425-GN5-901	DUST SEAL	2	
SEAL SET, FR. FORK		7	51437-GM0-003	RING, PISTON	2	
(TAMBAHKAN 0.5 UNTUK MASING-MASING)		8	51449-GM0-003	CAP, FORK PIPE	2	
CASE, R. BOTTOM	0.9	9	51454-KEV-881	SEAT, SPRING UPPER	2	
(TAMBAHKAN 0.6 UNTUK MASING-MASING)		10	51456-GM0-003	RING, STOPPER	2	
		11	51466-065-901	RING, OIL SEAL STOPPER	2	
		12	51470-KEV-881	PIPE, SEAT	2	
		13	51490-GN5-305	SEAL SEAT, FR. FORK	2	
		14	51500-KEV-880	FORK ASSY., L. FR	1	
		15	51520-KEV-881	CASE, L. BOTTOM	1	
		16	90116-383-721	BOLT, SOCKET, 8MM	2	
		17	90544-283-000	WASHER, SPECIAL, 8MM	2	
		18	91356-GM0-003	O-RING	2	

# F - 8

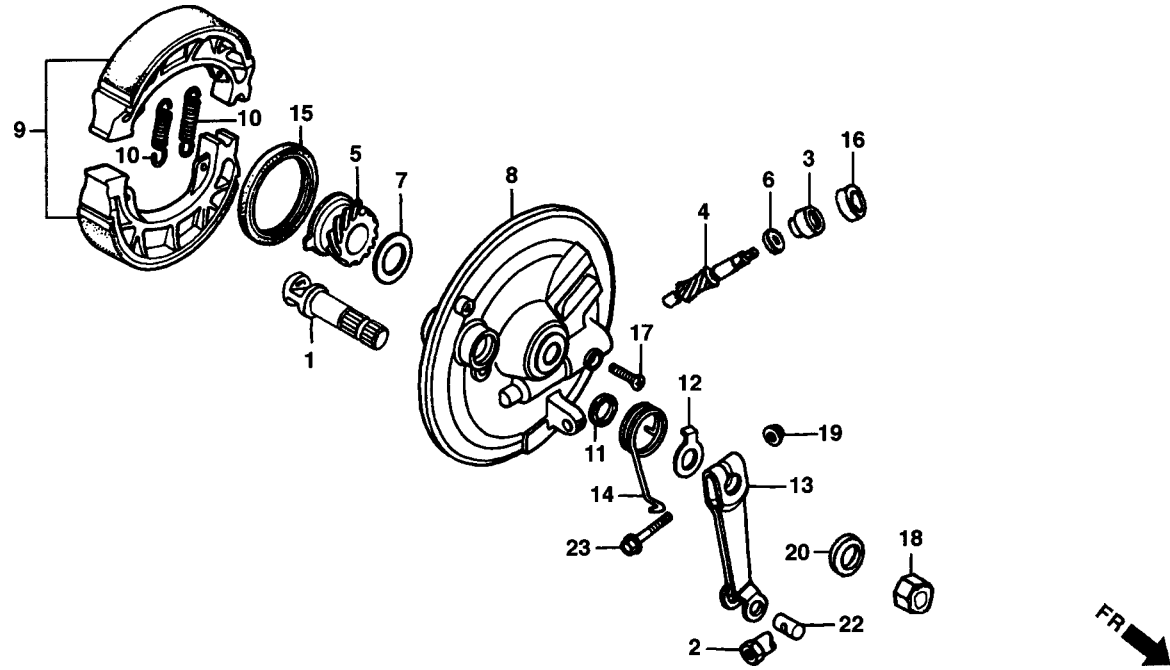
## Front brake panel



Service item	F.R.T.	No.	Part Number	Description	Q'ty	Notes
SHOE SET, BRAKE	0.3	1	43141-400-010	CAM, RR. BRAKE	1	
.GEAR, SPEEDOMETER		2	43459-GN5-760	NUT, BRAKE ROD ADJUSTING	1	
PANEL COMP., FR. BRAKE	0.4	3	44803-150-003	BUSH, PINION	1	
(TERMASUK PART YANG BERHUBUNGAN)		4	44805-GN5-901	PINION, SPEEDOMETER	1	
ARM, FR. BRAKE	0.1	5	44806-KEV-880	GEAR, SPEEDOMETER	1	
(TERMASUK PART YANG BERHUBUNGAN)		6	44807-001-003	WASHER, GEAR BOX PINION	1	
		7	44809-170-003	WASHER, SPEEDOMETER GEAR	1	
		8	45100-GN5-830FMS	PANEL COMP., FR. BRAKE	1	
		9	45120-001-010	SHOE SET, BRAKE	1	
		10	45133-028-000	SPRING, BRAKE SHOE	2	
		11	45134-250-000	DUST SEAL, BRAKE CAM	1	
		12	45145-121-710	INDICATOR, FR. BRAKE	1	
		13	45410-GN5-900	ARM, FR. BRAKE	1	
		14	45435-121-010	SPRING, FR. BRAKE ARM RETURN	1	
		15	91251-GN5-901	OIL SEAL, 47X57X7	1	
		16	91256-096-651	OIL SEAL, 4.8X14.5X4	1	
		17	93700-05020-0A	SCREW, OVAL 5X20	1	
		18	90306-KGH-901	NUT, U, 12MM	1	
		19	94050-06000	NUT, FLANGE, 6MM	1	
		20	94101-12000	WASHER, PLAIN, 12MM	1	

08.08.2003

**F - 8**  
Front brake panel

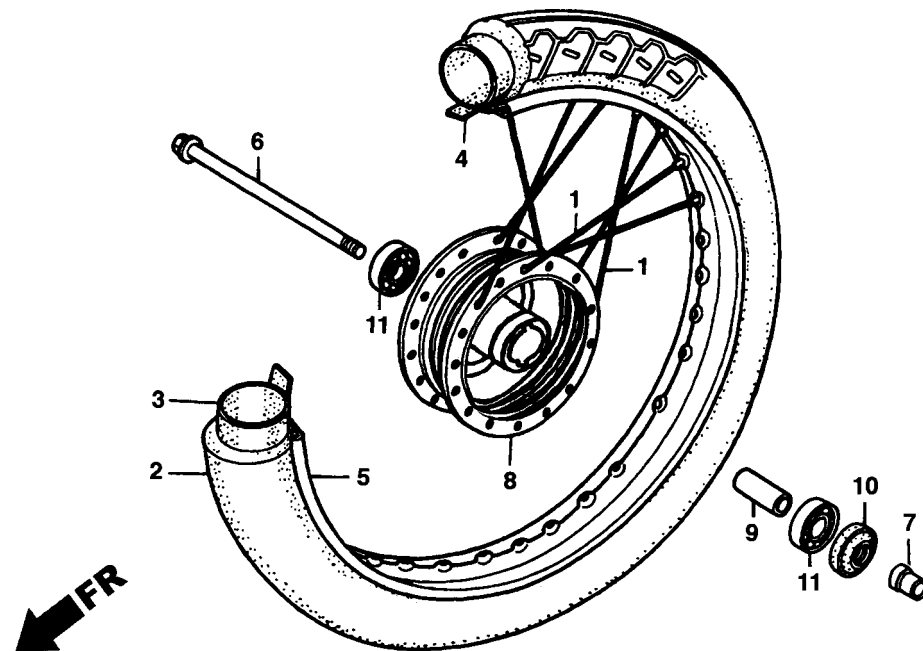


KRST

Service item	F.R.T.	No.	Part Number	Description	Q'ty	Notes
		22	95015-53000	PIN C , JOINT	1	
		23	95701-06028-00	BOLT, FLANGE, 6X28	1	

# F - 9

## Front wheel



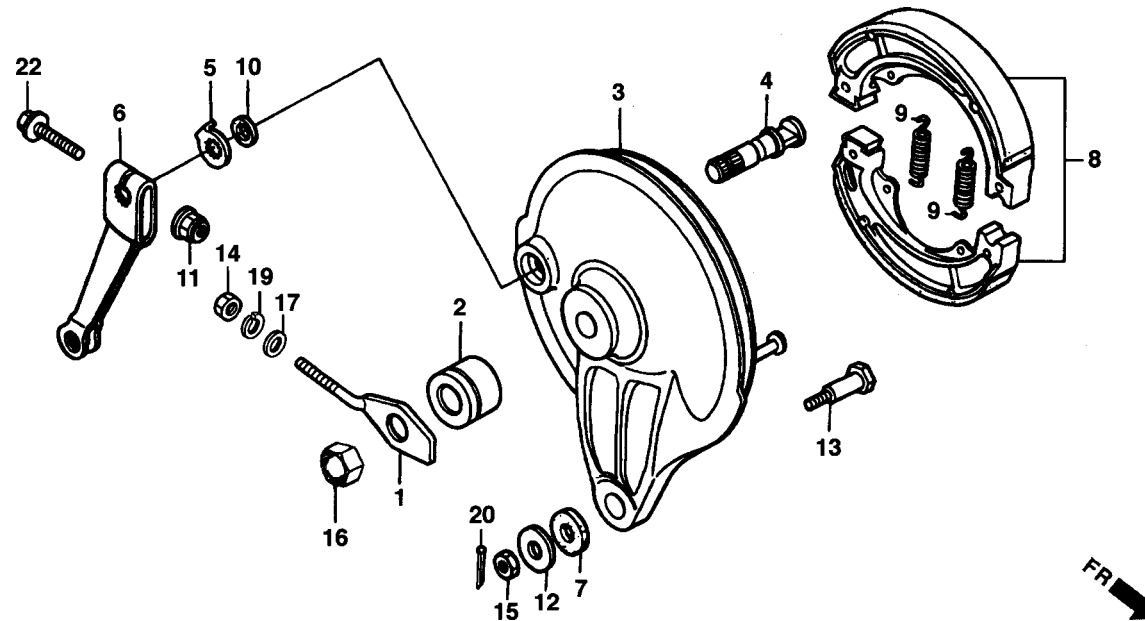
KRST

Service item	F.R.T.	No.	Part Number	Description	Q'ty	Notes
TUBE, TIRE	0.8	1	1111-160	SPOKE SET (FR) DB	36	
.TIRE, FR. WHEEL		2	2501738F135TT	TIRE, FR. WHEEL (2.50 - 17)	1	
AXLE, FR. WHEEL	0.2	3	2251725017-00000	TUBE TIRE	1	
COLLAR, FR. AXLE DISTANCE	0.4	4		FLAP, TIRE (17)	1	
.BEARING, RADIAL BALL, 6301		5	42701-030-007	RIM, FR. WHEEL	1	
(TAMBAHKAN 0.1 UNTUK MASING-MASING)		6	44301-KAN-T40	AXLE, FR. WHEEL	1	
RIM, FR. WHEEL	2.2	7	44311-GN5-900	COLLAR, FR. WHEEL SIDE	1	
		8	44601-GN5-830FMB	HUB, FR, WHEEL	1	
		9	44620-400-000	COLLAR, FR. AXLE DISTANCE	1	
		10	90755-229-003	OIL SEAL, 21X37X7	1	
		11	HB6301	BEARING, RADIAL BALL 6301	2	

08.08.2003

# F - 10

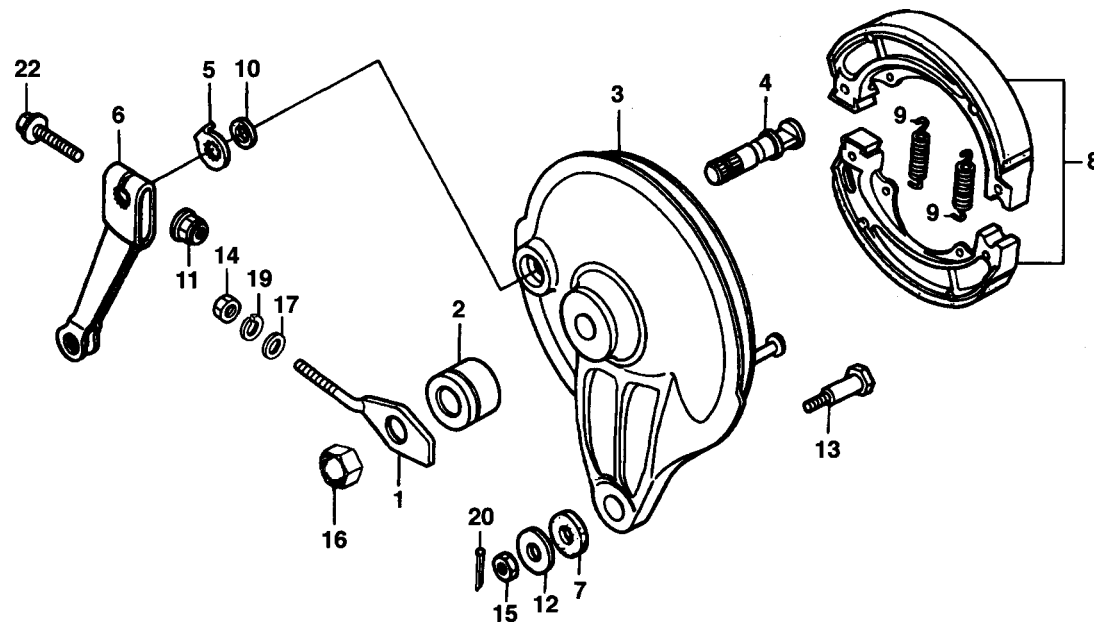
Rear brake panel



KRST

Service item	F.R.T.	No.	Part Number	Description	Q'ty	Notes
SHOE SET, BRAKE	0.4	1	40543-KEV-900	ADJUSTER, R. CHAIN	1	
PANEL COMP., RR. BRAKE	0.5	2	42313-GN5-830	COLLAR, RR. BRAKE PANEL SIDE	1	
(TERMASUK PART YANG BERHUBUNGAN)		3	43100-GN5-960	PANEL COMP., RR. BRAKE	1	
ARM, RR. BRAKE	0.1	4	43141-400-010	CAM, RR. BRAKE	1	
		5	43145-GC5-000	INDICATOR, RR. BRAKE	1	
		6	43410-149-000	ARM, RR. BRAKE	1	
		7	43434-ME1-670	RUBBER, STOPPERARM	1	
		8	45120-001-010	SHOE SET, BRAKE	1	
		9	45133-028-000	SPRING, BRAKE SHOE	2	
		10	45134-250-000	DUST SEAL, BRAKE CAM	1	
		11	90301-KGH-901	NUT, U, 6MM	1	
		12	90505-425-000	WASHER, 8MM	1	
		13	92811-10000	BOLT A, BRAKE STOPPER	1	
		14	94001-06000-0S	NUT, HEX., 6MM	1	
		15	94001-08000-0S	NUT, HEX., 8MM	1	
		16	90306-KGH-901	NUT, U, 12MM	1	
		17	94101-08000	WASHER, PLAIN, 8MM	1	
		18	94102-12000	WASHER, PLAIN, 12MM	1	
		19	94111-10000	WASHER, SPRING, 10MM	1	
		20	94201-20150	PIN, SPLIT, 2.0X15	1	

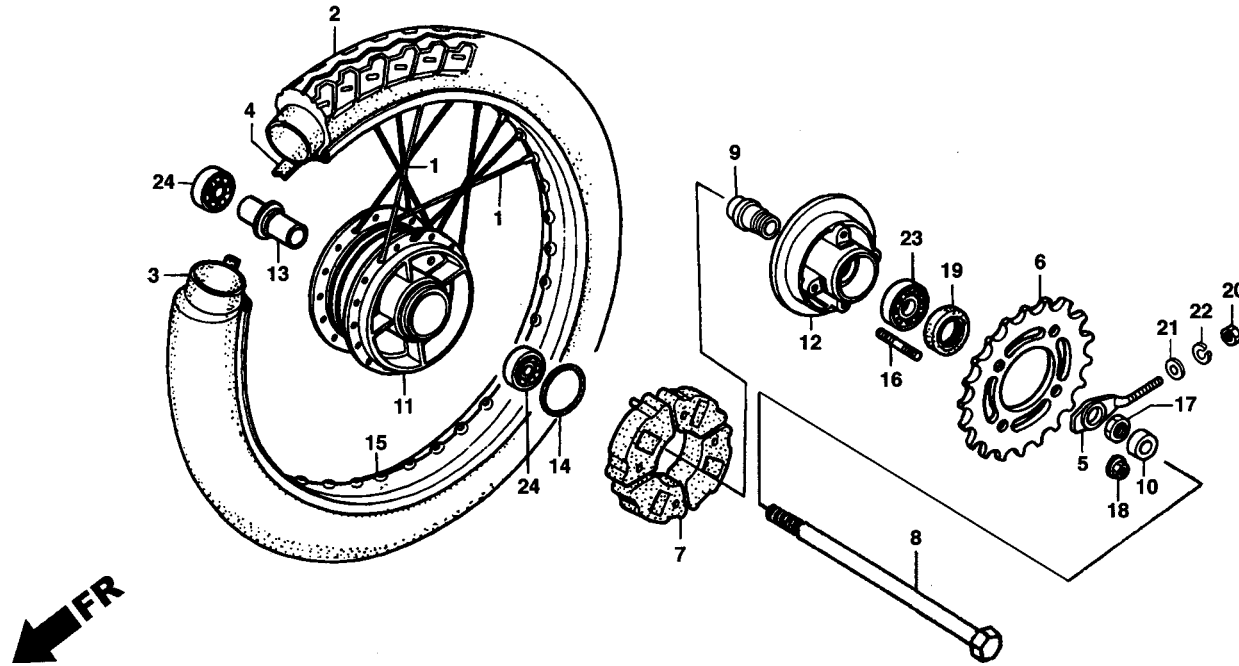
**F - 10**  
Rear brake panel



Service item	F.R.T.	No.	Part Number	Description	Q'ty	Notes
		22	95701-06035-00	BOLT, FLANGE, 6X35	1	

# F - 11

## Rear wheel



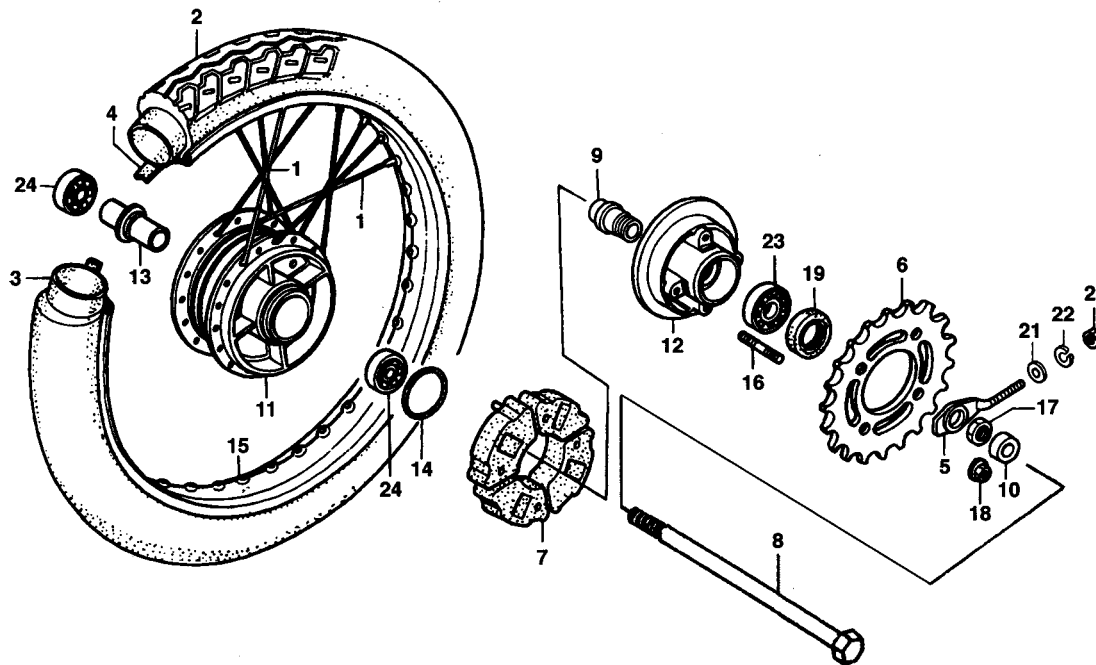
KRST

Service item	F.R.T.	No.	Part Number	Description	Q'ty	Notes
DAMPER RR. WHEEL	0.3	1	1110-159NS	SPOKE SET (RR)	36	
AXLE, RR. WHEEL	0.2	2	2751741PR135TT	TIRE, RR. WHEEL (2.75-17)	1	
SPROCKET, FINAL DRIVEN	0.6	3	275170000-00000	TUBE, TIRE	1	
.BEARING, RADIAL BALL, 6203		4		FLAP, TIRE (17)	1	
SLEEVE, RR. WHEEL	0.4	5	40540-GN5-730	ADJUSTER, L. CHAIN	1	
.COLLAR, RR. AXLE DISTANCE		6	41201-KEV-880	SPROCKET, FINAL DRIVEN	1	
.BEARING, RADIAL BAKK, 6301		7	41241-GB4-770	DAMPER RR., WHEEL	1	
(TAMBAHKAN 0.1 UNTUK MASING-MASING)		8	42301-KFM-900	AXLE, RR. WHEEL	1	
FLANGE ASSY., FINAL DRIVEN		9	42303-KBA-900	SLEEVE, RR. WHEEL	1	
.TIRE, RR.		10	42304-KFM-900	COLLAR, RR. WHEEL SIDE	1	
.TUBE, TIRE		11	42601-GN5-960FMS	HUB, RR. WHEEL	1	
HUB, RR.WHEEL	2.6	12	42610-KEV-880	FLANGE ASSY., FINAL DRIVEN	1	
RIM, RR, WHEEL	2.3	13	42620-GB6-920	COLLAR, RR. AXLE DISTANCE	1	
		14	42653-001-004	O-RING 40.5X3	1	
		15	42701-383-701	RIM, RR. WHEEL	1	
		16	90128-GS4-000	BOLT, STUD, 8X43	1	
		17	90307-001-000	NUT, RR. AXLE SLEEVE	4	
		18	90309-357-000	NUT, HEX., 8MM	1	
		19	91252-KEV-900	OIL SEAL, 27X40X6	4	
		20	94001-06000-0S	NUT, HEX., 6MM	1	

08.08.2003

# F - 11

## Handle lever

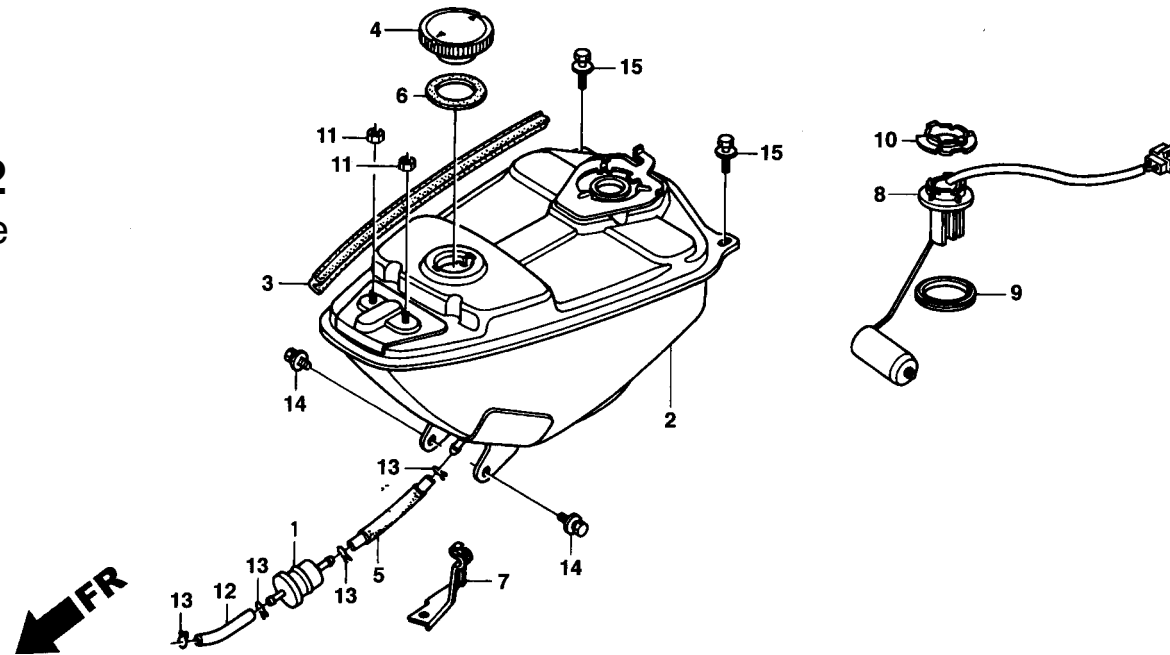


KRST

Service item	F.R.T.	No.	Part Number	Description	Q'ty	Notes
		21	94101-06000	WASHER, PLAIN, 6MM	1	
		22	94111-06000	WASHER, SPRING, 6MM	1	
		23	HB6203	BEARING, RADIAL BALL, 6203	1	
		24	HB6301RS	BEARING, RADIAL BALL, 6301	2	



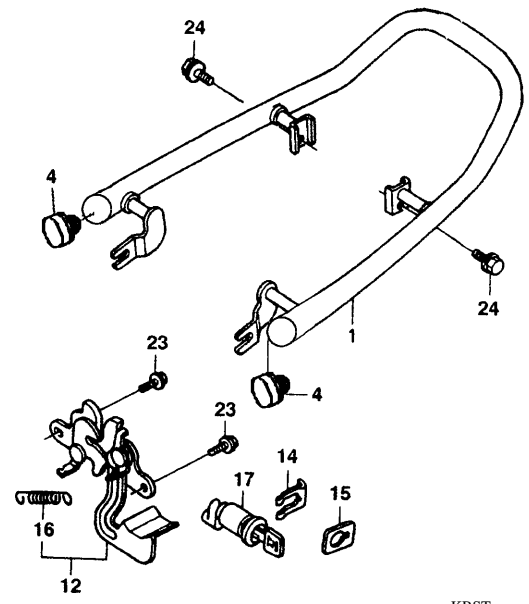
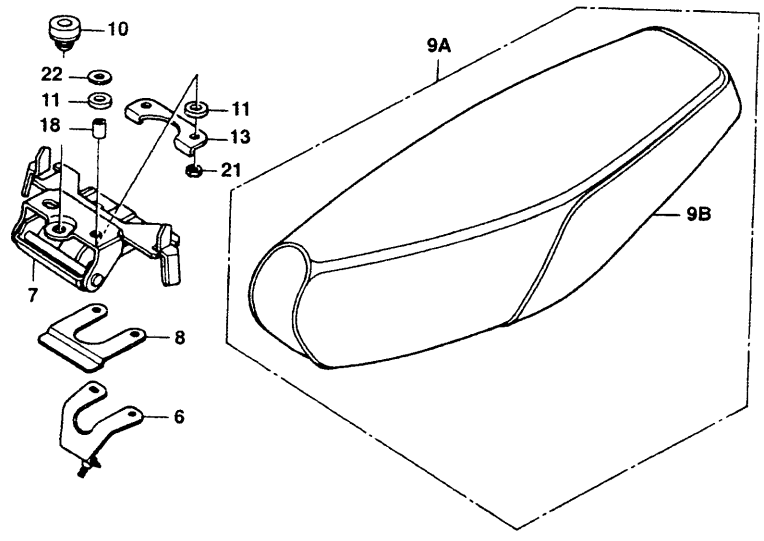
## F - 12 Switch/Cable



KRST

Service item	F.R.T.	No.	Part Number	Description	Q'ty	Notes
STRAINER COMP., FUEL	0.1	1	16910-GAH-690	STRAINER COMP., FUEL	1	
TANK COMP., FUEL	0.5	2	17510-KEV-880	TANK COMP, FUEL	1	
FUEL UNIT	0.3	3	17515-KEV-900	RUBBER, FUEL TANK SIDE	1	
		4	17620-GA7-023	CAP, FUEL FILLER	1	
		5	17630-KRS-W00	TUBE, FUEL, 5.3X350	1	
		6	17631-096-701	PACKING, FUEL FILLER CAP	1	
		7	17640-GN5-910	CLAMPER, FUEL TUBE	1	
		8	37800-KEV-901	FUEL UNIT	1	
		9	37801-GA7-700	PACKING, BASE	1	
		10	37802-GA7-700	RETAINER, FUELUNIT	1	
		11	94001-06000-0S	NUT, HEX., 6MM	2	
		12	95001-55070-40	TUBE, FUEL, 5.3X70	1	
		13	95002-02100	CLIP, TUBE (B10)	4	
		14	95701-06012-00	BOLT, FLANGE, 6X12	2	
		15	95701-08016-00	BOLT, FLANGE, 8X16	2	

**F - 13**  
Seat

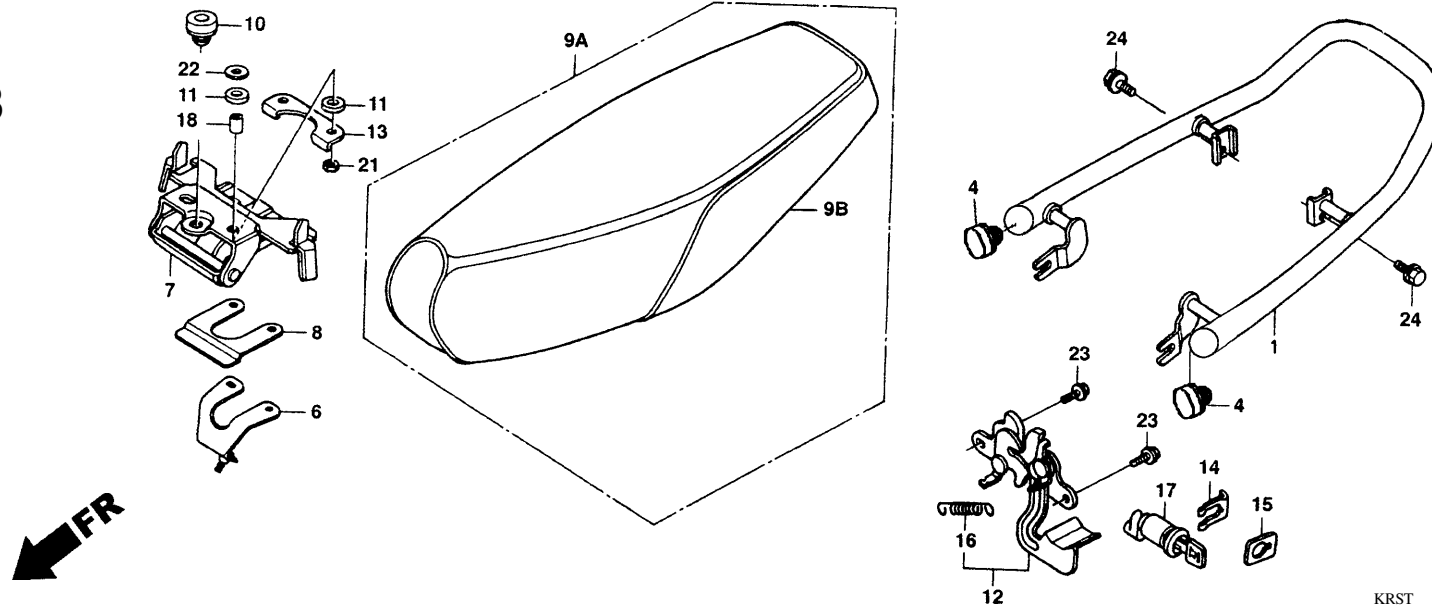


KRST

Service item	F.R.T.	No.	Part Number	Description	Q'ty	Notes
PIPE, RR. GRIP	0.1	1	50410-KRS-A00	PIPE, RR. GRIP	1	
.HINGE COMP., SEAT		4	50415-GN5-F00	CAP, REAR GRIP PIPE END	2	
.SEAT COMP., DOUBLE		6	64350-KEV-900	STAY, BODY COVER	1	
.KEY, SEAT LOCK		7	77110-KEV-900	HINGE COMP., SEAT	1	
SEAT LOCK COMP	0.3	8	77120-KEV-900	PLATE, SEAT HINGE SETTING	1	
		9	77200-KRS-A00	SEAT COMP., DOUBLE	1	
		10	77206-KW6-900	RUBBER, SEAT CUSHION	1	
		11	77207-GN5-910	RUBBER B, SEAT MOUNTING	4	
		12	77230-KEV-900	SEAT LOCK COMP.	1	
		13	77235-KEV-900	PLATE, SEAT HINGE	1	
		14	77235-469-000	SPRING, LOCK KEY SETTING	1	
		15	77236-GW0-000	WASHER, SEAT LOCK	2	
		16	77237-KEV-900	SPRING, SEAT CATCH	1	
		17	77239-GB2-721	KEY, SEAT LOCK	1	
		18	90324-GN5-730	COLLAR, SEAT MOUNTING	2	
		19	90507-GN5-730	WASHER, 3.5X13	2	
		20	93903-22280	SCREW, TAPPING, 3X10	3	

08.08.2003

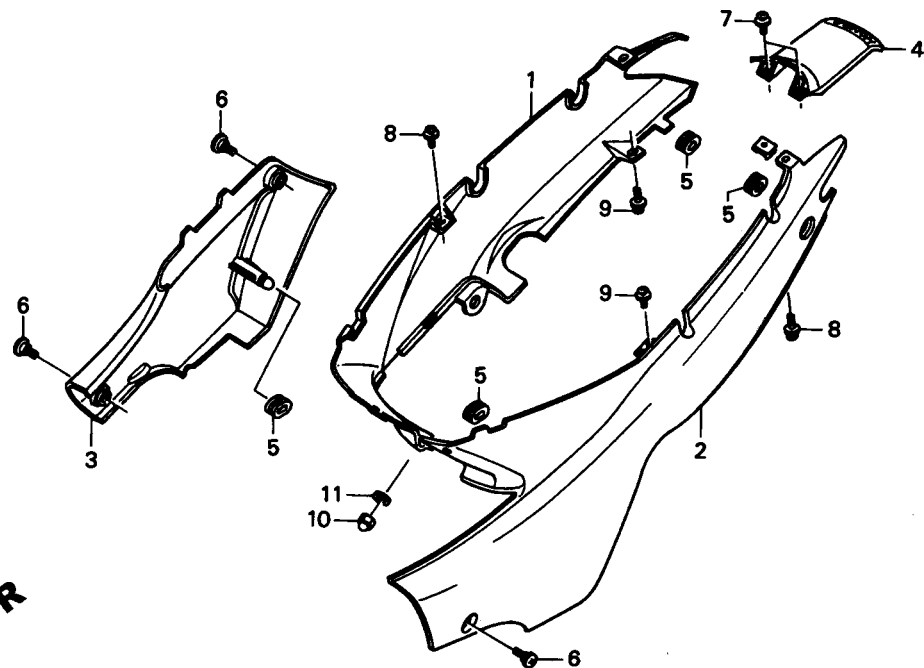
Seat  
F - 13



Service item	F.R.T.	No.	Part Number	Description	Q'ty	Notes
		21	94001-06000-0S	NUT, HEX., 6MM	2	
		22	94103-06000	WASHER, PLAIN, 6MM	2	
		23	95701-06012-00	BOLT, FLANGE, 6X12	2	
		24	95701-08014-00	BOLT, FLANGE, 8X14	2	

# F - 14

## Side Cover



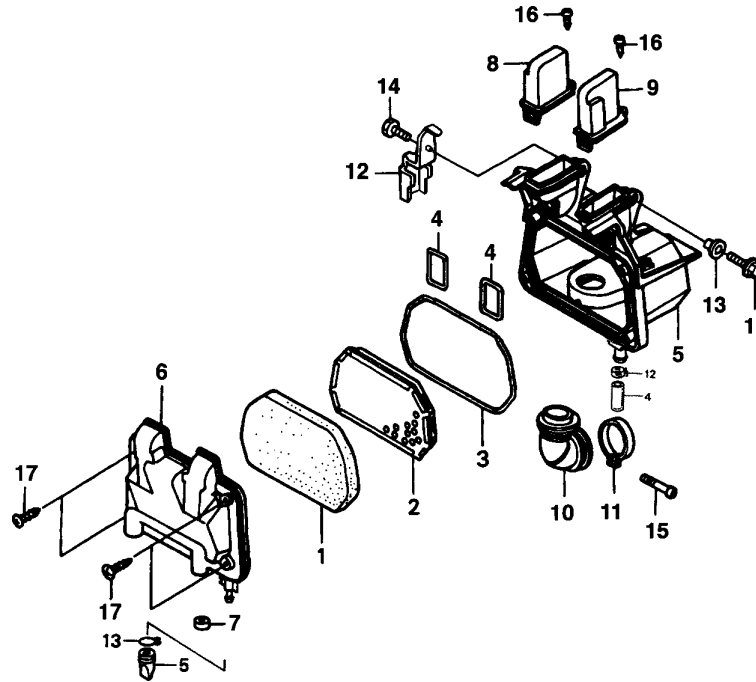
KRST

Service item	F.R.T.	No.	Part Number	Description	Q'ty	Notes
COVER, R. BODY	0.1	1	64330-KEV-880FMB	COVER, R. BODY (BLACK)	1	
.COVER, L. BODY			64330-KEV-880FMP	COVER, R. BODY (SHRPL BL)	1	
.COVER, R. SIDE		2	64340-KEV-880FMB	COVER, L. BODY (BLACK)	1	
COVER, TAIL			64340-KEV-880FMP	COVER, L. BODY (SHRPL BL)	1	
		3	83500-KEV-900FMB	COVER, R. SIDE (BLACK)	1	
			83500-KEV-900FMP	COVER, R. SIDE (SHRPL BL)	1	
		4	83510-KEV-900FMB	COVER, TAIL (BLACK)	1	
			83510-KEV-900FMP	COVER, TAIL (SHRPL BL)	1	
		5	83551-GE2-000	GROMMET, AIR CLEANER CASE	1	
		6	90107-KW7-900	BOLT, FAIRING SETTING	3	
		7	90380-GM9-740	SCREW, SPECIAL, 6X15	2	
	8	91509-GE2-760	SCREW, PAN, 5X11.5	2		
	9	93894-06016-08	SCREW-WASHER, 6X16	2		
	10	94021-05020-0S	NUT, CAP, 5MM	1		
	11	94103-05200	WASHER, PLAIN, 5MM	1		

08.08.2003

# F - 15

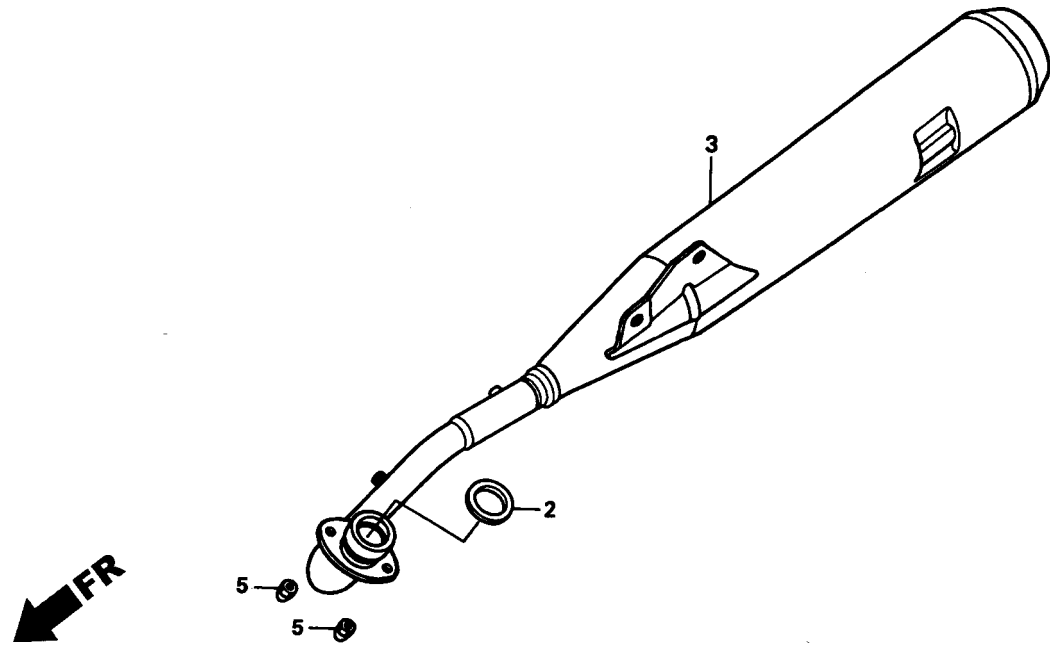
## Air cleaner



KRST

Service item	F.R.T.	No.	Part Number	Description	Q'ty	Notes
ELEMENT, AIR CLEANER	0.3	1	17205-GN5-900	ELEMENT, AIR CLEANER	1	
TUBE, AIR CLEANER CONNECTING		2	17212-GN5-900	TRAP COMP., FRAME	1	
CASE, AIR CLEANER	0.4	3	17213-GN5-900	SEAL, AIR CLEANER COVER	1	
COVER, AIR CLEANER CASE	0.2	4	17214-GN5-900	SEAL, AIR CLEANER CASE	2	
		5	17230-KFV-950	CASE, AIR CLEANER	1	
		6	17231-KFL-840	COVER, AIR CLEANER CASE	1	
		7	17232-GN5-830	PLUG, AIR CLEANER DRAIN	2	
		8	17233-GN5-900	CAP, R. DUCT	1	
		9	17234-GN5-900	CAP, L. DUCT	1	
		10	17253-GN5-900	TUBE, AIR CLEANER CONNECTING	1	
		11	17256-053-010	BAND B, AIR CLEANER CONNECTING	1	
		12	50154-KEV-900	GUIDE, AIR VENT TUBE	1	
		13	90522-028-000	WASHER, CHAIN CASE	1	
		14	92101-06012-0A	BOLT, HEX., 6X12	2	
		15	93500-05020-0A	SCREW, PAN, 5X20	1	
		16	93901-24310	SCREW, TAPPING, 4X12	2	
		17	93903-25410	SCREW, TAPPING, 5X16	4	

**F - 16**  
Exhaust  
muffler



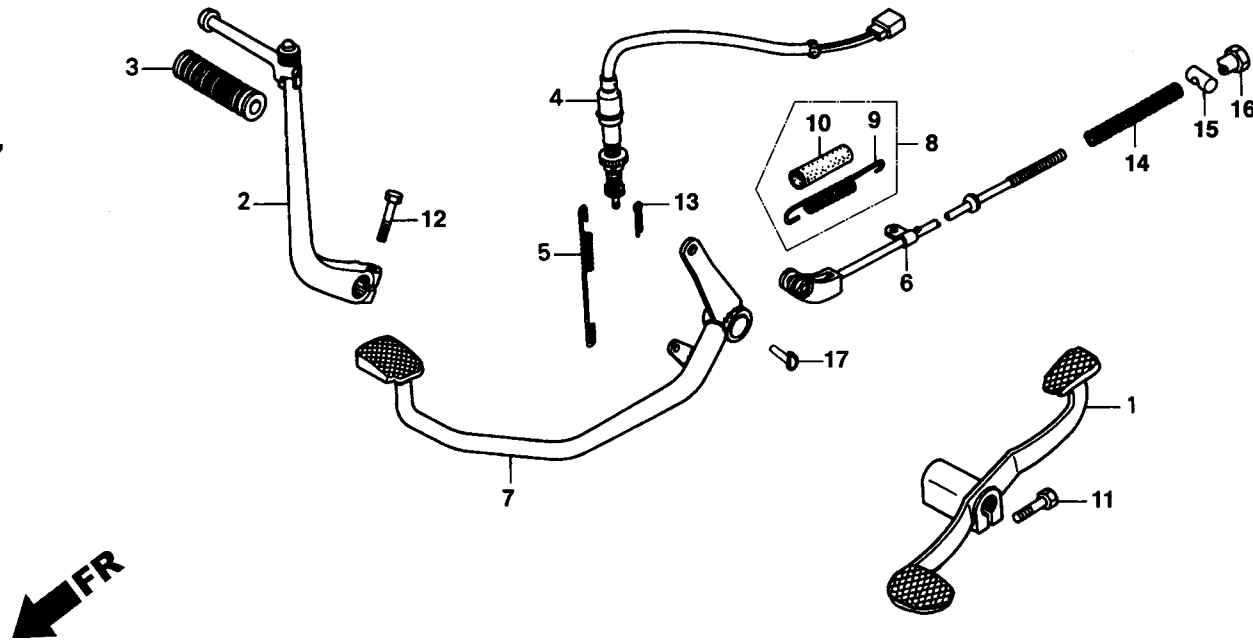
KRST

Service item	F.R.T.	No.	Part Number	Description	Q'ty	Notes
COVER, EX PIPE	0.1	2	18291-HB2-900	GASKET, EX. PIPE	1	
.MUFFLER COMP., EX		3	18350-KRS-A00	MUFFLER COMP., EX	1	
		5	94001-06000-0S	NUT, HEX., 6MM	2	

08.08.2003

# F - 17

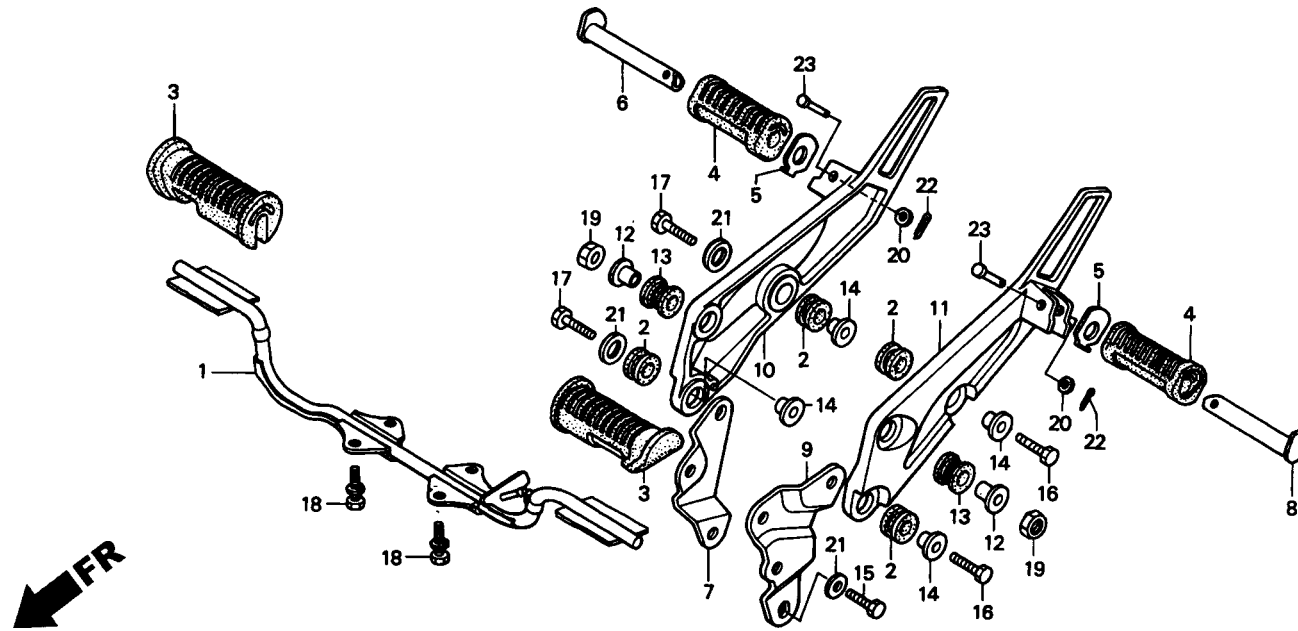
## Pedal/Kick starter arm



KRST

Service item	F.R.T.	No.	Part Number	Description	Q'ty	Notes
PEDAL, GEAR CHANGE	0.1	1	24701-KRS-A00	PEDAL, GEAR CHANGE	1	
ARM ASSY., KICK STARTER		2	28300-KRS-A00	ARM ASSY., KICK STARTER	1	
SWITCH ASSY., RR. STOP	0.2	3	28311-342-000	RUBBER, KICK STARTER	1	
ROD COMP., RR. BRAKE	0.4	4	35350-KEV-950	SWITCH ASSY., RR. STOP	1	
PEDAL COMP., BRAKE	0.5	5	35357-011-000	SPRING, STOP SWITCH	1	
		6	43451-KEV-880	ROD COMP., RR. BRAKE	1	
		7	46500-KRS-A00	PEDAL COMP., BRAKE	1	
		8	46513-KEV-880	SPRING ASSY., RR. BRAKE RETURN	1	
		9	46514-KEV-880	SPRING, BRAKE PEDAL	1	
		10	46514-MK4-000	TUBE, BRAKE PEDAL SPRING	1	
		11	92101-06020-0A	BOLT, HEX., 6X20	1	
		12	92101-06022-0A	BOLT, HEX., 6X22	1	
		13	94201-30250	PIN, SPLIT, 3.0	1	
		14	95014-73100	SPRING A, BRAKE ROD	1	
		15	95015-32001	JOINT B, BRAKE ARM	1	
		16	95015-42000	NUT, BRAKE ROD ADJUSTING	1	
		17	95015-53000	PIN C, JOINT	1	

# F - 18 Step



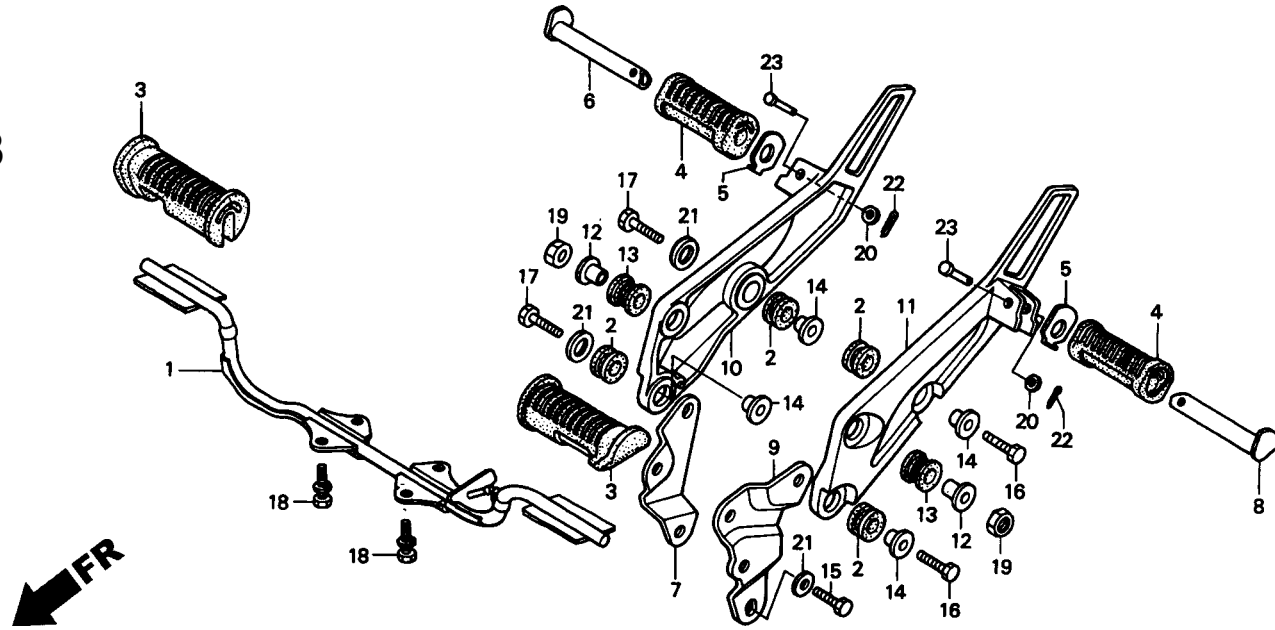
KRST

Service item	F.R.T.	No.	Part Number	Description	Q'ty	Notes
BAR COMP., STEP	0.3	1	50610-KEV-880	BAR COMP., STEP	1	
RUBBER, STEP	0.1	2	50622-KBA-900	RUBBER, STEP HOLDER	4	
(SATU ATAU SEMUANYA)		3	50661-KEV-880	RUBBER, STEP	2	
.BAR, R. PILLION STEP		4	50710-GN5-830	RUBBER, PILLION STEP	2	
(TERMASUK PARTS YANG BERHUBUNGAN)		5	50711-GN5-730	PLATE, PILLION STEP	2	
BRACKET, R. PILLION STEP	0.2	6	50713-GN5-830	BAR, R. PILLION STEP	1	
.BRACKET, L. PILLION STEP		7	50713-KEV-900	STAY, R. PILLION STEP	1	
		8	50714-GN5-830	BAR, L. PILLION STEP	1	
		9	50714-KEV-900	STAY, L. PILLION STEP	1	
		10	50715-KEV-900	BRACKET, R. PILLION STEP	1	
		11	50716-KEV-900	BRACKET, L. PILLION STEP	1	
		12	90116-KEV-900	COLLAR, PILLION STEP MOUNTING	2	
		13	90117-KEV-900	RUBBER, PILLION STEP MOUNTING	2	
		14	90118-KEV-900	COLLAR MUFFLER MOUNT	4	
		15	92101-08020-0A	BOLT, HEX., 8X20	1	
		16	92101-08028-0A	BOLT, HEX., 8X28	2	
		17	92101-08035-0A	BOLT, HEX., 8X35	2	
		18	93412-08020-00	BOLT-WASHER, 8X20	4	
		19	94002-10000-0S	NUT, HEX., 10MM	2	
		20	94101-06000	WASHER, PLAIN, 6MM	2	

08.08.2003



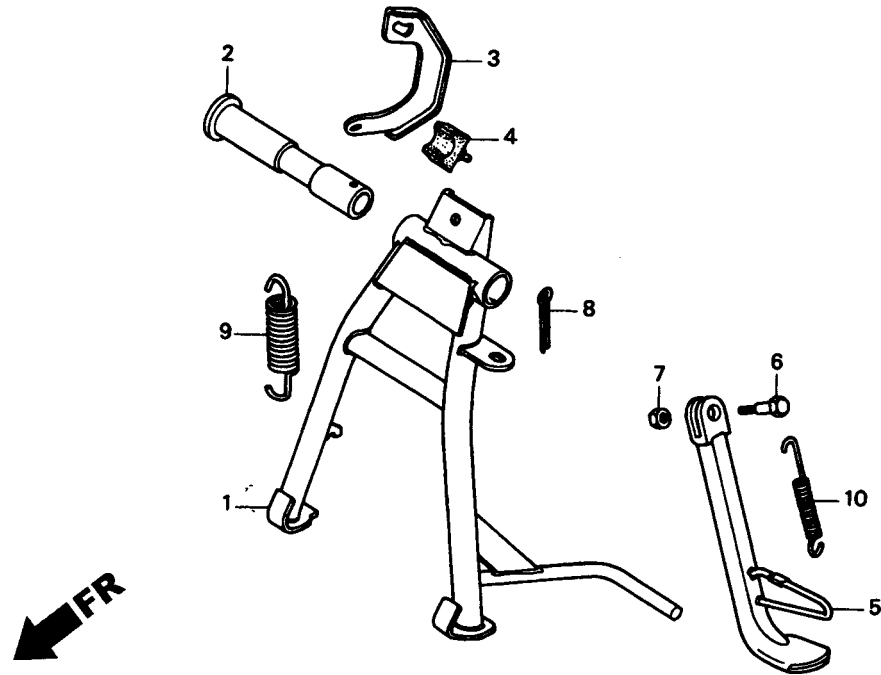
**F - 18**  
Step



KRST

Service item	F.R.T.	No.	Part Number	Description	Q'ty	Notes
		21	94103-08000	WASHER, PLAIN, 8MM	3	
		22	92401-16150	PIN, SPLIT, 1.6X15	2	
		23	95015-83000	PIN C, PILLION STEP	2	

# F - 19 Stand

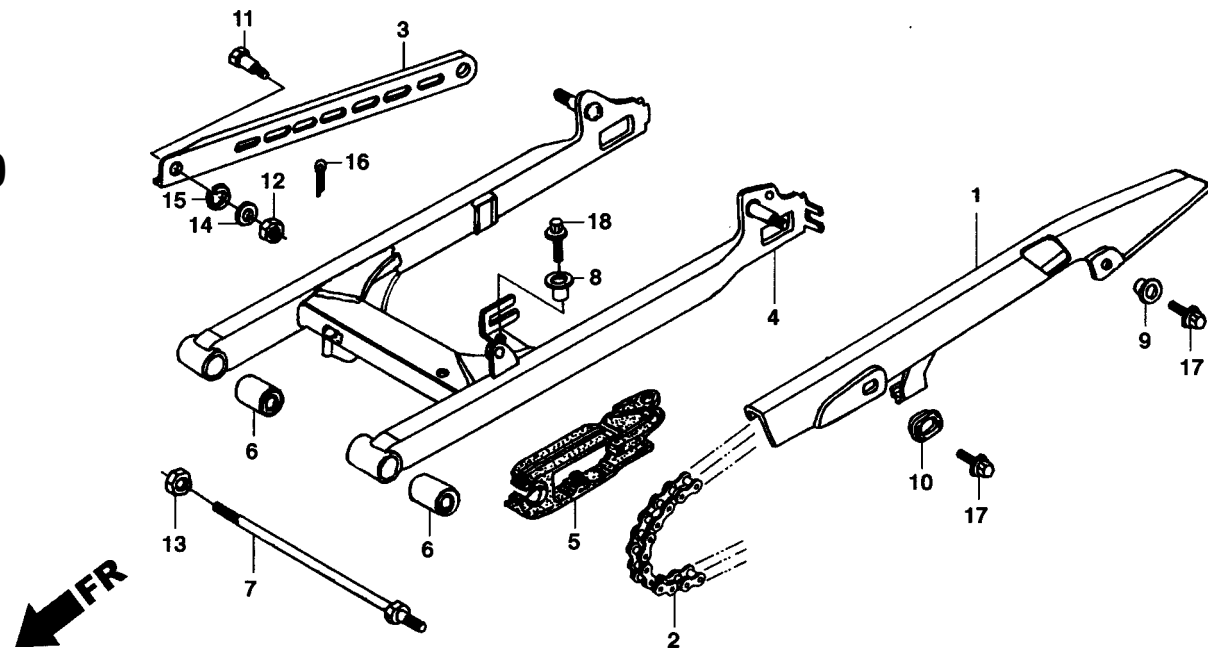


KRST

Service item	F.R.T.	No.	Part Number	Description	Q'ty	Notes
STAND COMP., MAIN	0.4	1	50500-KEV-880	STAND COMP., MAIN	1	
HOOK, MAIN STAND SPRING	0.2	2	50512-087-820	PIPE, RR. BRAKE PIVOT	1	
.BAR COMP., SIDE STAND		3	50523-KEV-880	HOOK, MAIN STAND SPRING	1	
.SPRING D, MAIN STAND		4	50524-397-000	RUBBER, STAND STOPPER	1	
SPRING A, SIDE STAND	0.1	5	50530-KEV-880	BAR COMP., SIDE STAND	1	
		6	90108-223-000	SCREW, SIDE STAND PIVOT	1	
		7	94002-10000-0S	NUT, HEX., 10MM	1	
		8	94201-30250	PIN, SPLIT, 3.0X25	1	
		9	95014-71402	SPRING D, MAIN STAND	1	
		10	95014-72102	SPRING A, SIDE STAND	1	

08.08.2003

## F - 20 Swingarm

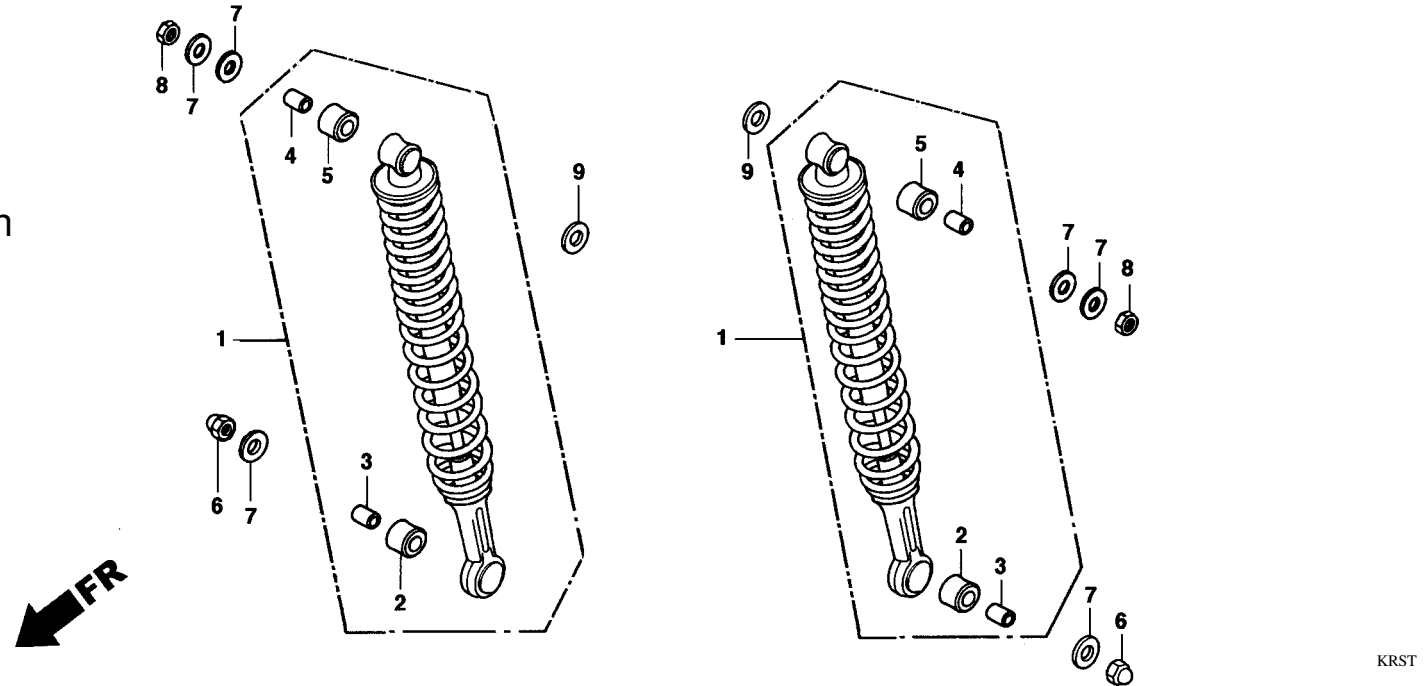


KRST

Service item	F.R.T.	No.	Part Number	Description	Q'ty	Notes
CASE, DRIVE CHAIN	0.1	1	40510-KEV-880	CASE, DRIVE CHAIN	1	
(SATU ATAU SEMUANYA)		2	HC428-104L	CHAIN, DRIVE	1	
CHAIN, DRIVE	0.3	3	43431-KEV-880	ARM, REAR BRAKE STOPPER	1	
.ARM, RR. BRAKE STOPPER		4	52110-KRS-A00	SWINGARM COMP., REAR	1	
		5	52170-KEV-880	SLIDER, CHAIN	1	
		6	52181-001-300	RUBBER, BUSH REAR FORK	1	
		7	90121-KEV-901	BOLT, SWINGARM PIVOT	1	
		8	90503-KEV-880	COLLAR, MAIN SIDE COVER	1	
		9	90563-KC5-000	WASHER, CHAIN CASE SET	1	
		10	90513-405-000	WASHER, 6X9	1	
		11	92812-10000	BOLTA, STOPPER ARM	1	
		12	94001-08000-0S	NUT, HEX., 8MM	1	
		13	94002-10000-0S	NUT, HEX., 10MM	1	
		14	94101-08000	WASHER, PLAIN, 8MM	1	
		15	94111-10000	WASHER, SPRING, 10MM	1	
		16	94201-20150	PIN, SPLIT, 2.0X15	1	
		17	95701-06010-07	BOLT, FLANGE, 6X10	1	
		18	96001-06016-00	BOLT, FLANGE, 6X16	1	

# F - 21

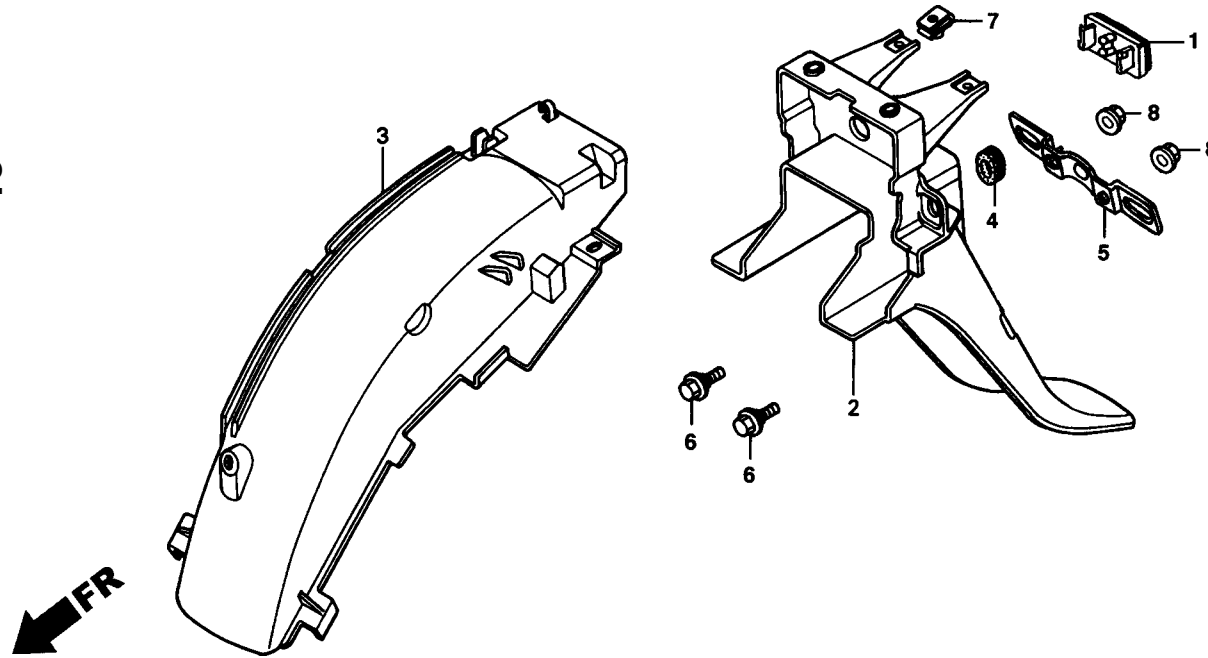
## Rear cushion



Service item	F.R.T.	No.	Part Number	Description	Q'ty	Notes
CUSHION ASSY., RR. (SATU ATAU SEMUANYA)	0.2	1	52400-KEV-882	CUSHION ASSY., RR.	2	
		2	52485-GA7-003	BUSH, RUBBER	2	
		3	52487-GW3-980	COLLAR, RUBBER BUSH	2	
		4	52486-056-000	COLLAR, RR. RUBBER BUSH	2	
		5	52489-399-601	BUSH, UPPER RUBBER	2	
		6	90202-329-000	NUT, FLANGE CAP, 10MM	2	
		7	90528-230-000	WASHER, 10.2X20	6	
		8	94001-10000-0S	NUT, HEX., 10MM	2	
		9	94101-12000	WASHER, PLAIN, 12MM	2	

# F - 22

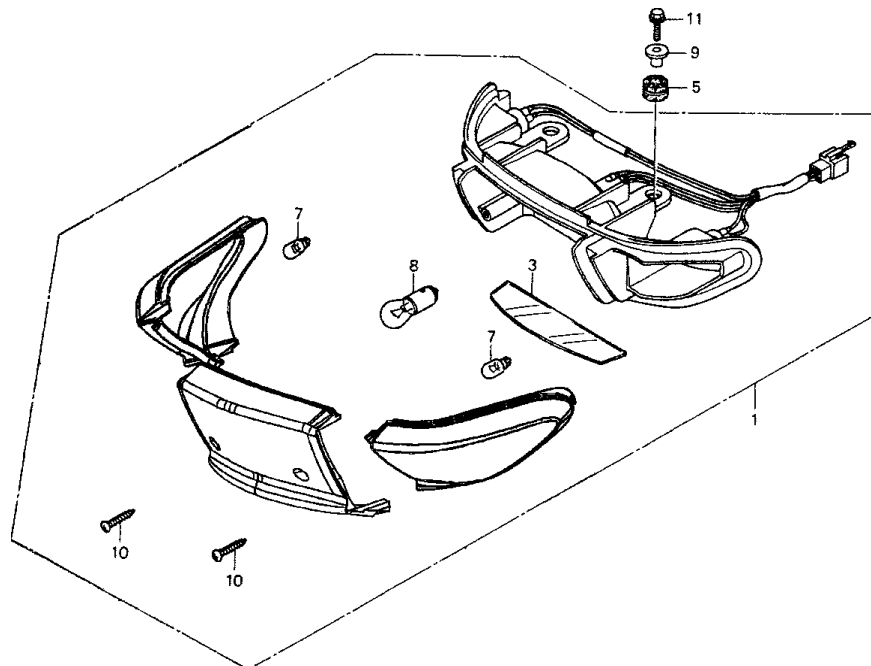
Rear fender



KRST

Service item	F.R.T.	No.	Part Number	Description	Q'ty	Notes
FENDER, RR	0.4	1	33741-KEV-950	REFLECTOR, REFLEX	1	
FENDER, RR. INNER	0.5	2	80100-KEV-880	FENDER, RR.	1	
		3	80101-KEV-880	FENDER, RR. INNER	1	
		4	83551-GE2-000	GROMMET, AIR CLEANER CASE	2	
		5	84701-KEV-880	BRACKET, RR. NUMBER PLATE	1	
		6	90111-162-000	BOLT, FLANGE, 6MM	2	
		7	90344-964-003	NUT C, CLIP, 6MM	2	
		8	94050-06000	NUT, FLANGE, 6MM	2	

**F - 24**  
Rear  
combination  
light

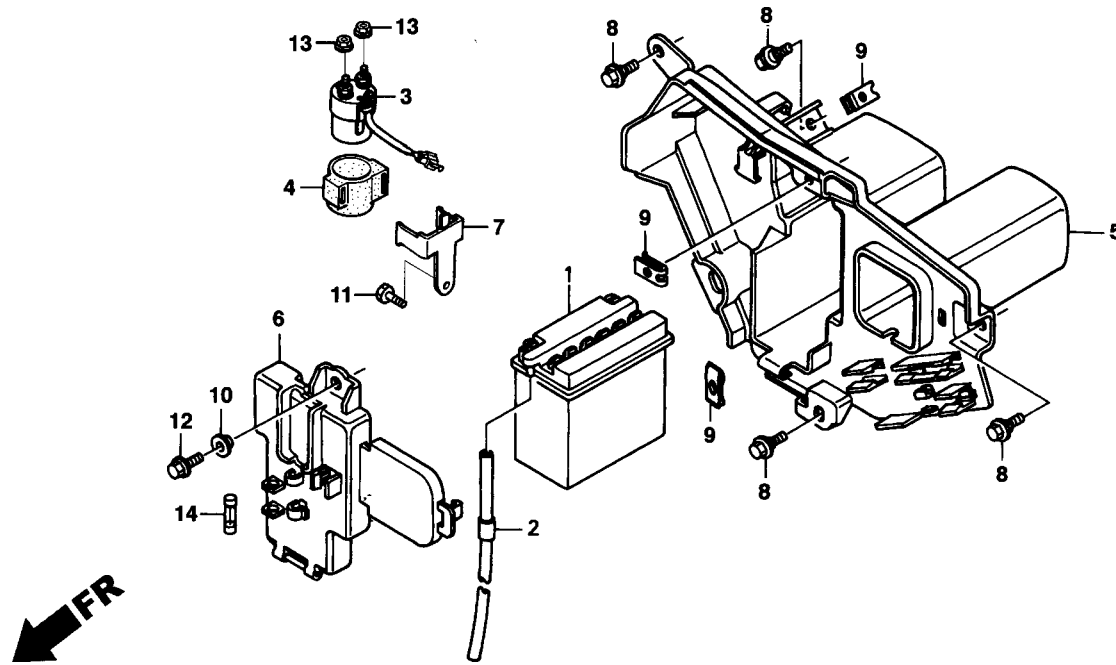


KRST

Service item	F.R.T.	No.	Part Number	Description	Q'ty	Notes
LIGHT ASSY., RR. COMBINATIO	0.3	1	33700-KRS-A00	LIGHT ASSY., RR. COMBINATION	1	
BULB	0.1	2	33701-KRS-A00	LENS, TAILLIGHT	1	
(SATU ATAU SEMUANYA)		3	33702-KEV-901	LENS, LICENSE	1	
		4	33753-KRS-A00	LENS, L. RR. WINKER	1	
		5	33705-KW7-900	RUBBERA, TAILLIGHT MOUNTING	2	
		6	33703-KRS-A00	LENS, R. RR. WINKER	1	
		7	34905-KAN-W01	BULB, WINKER	2	
		8	34906-GB6-921	BULB, TAILLIGHT	1	
		9	61104-428-000	COLLAR, FR. FENDER	2	
		10	93901-24510	SCREW, TAPPING, 4X20	2	
		11	95701-06025-00	BOLT, FLANGE, 6X25	2	

# F - 25

## Battery/ Regulator

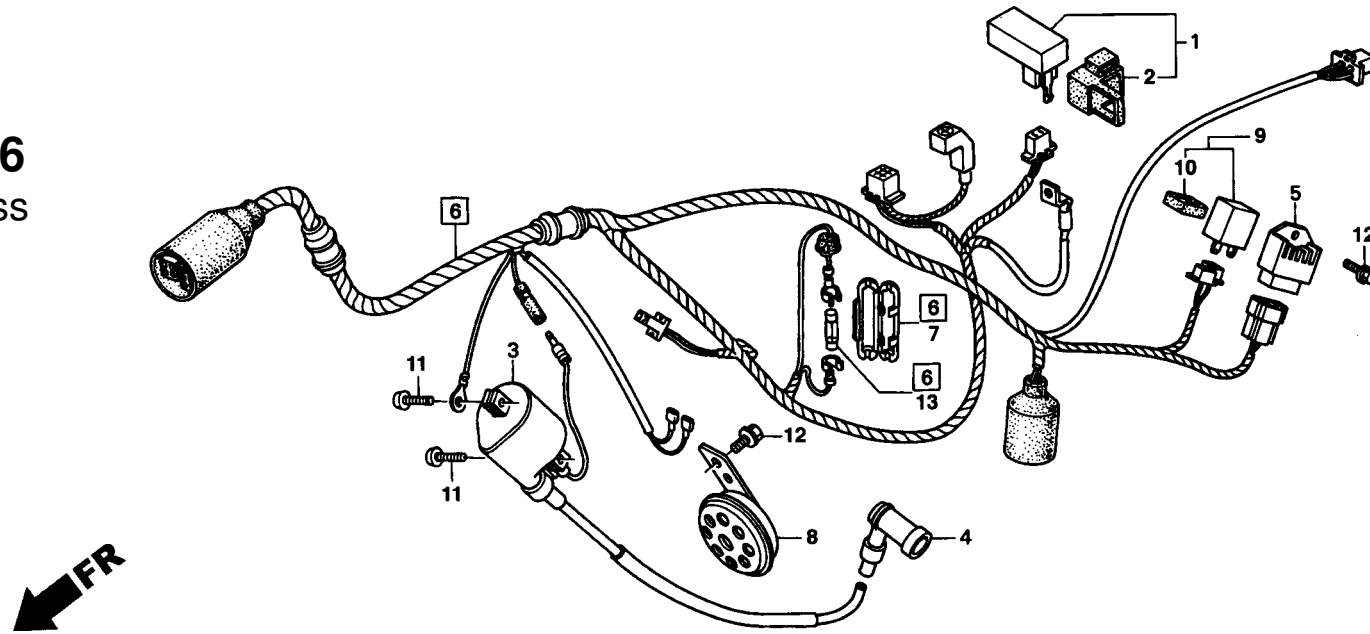


KRST

Service item	F.R.T.	No.	Part Number	Description	Q'ty	Notes
BATTERY ASSY	0.2	1	31500-GN5-FM0	BATTERY ASSY. (12V 4AH)	1	
CASE, BATTERY	0.3	2	31502-GB4-680	TUBE, BATTERY BREATHER	1	
		3	35850-GBG-910	SWITCHASSY., STARTER MAGNETIC	1	
		4	35856-425-000	RUBBER, SHOCK MAGNETIC	1	
		5	50380-KEV-880	CASE, BATTERY	1	
		6	50382-KEV-900	HINGE, BATTERY	1	
		7	50385-KEV-880	STAY, STARTER MAGNETIC SWITCH	1	
		8	90111-162-000	BOLT, FLANGE, 6MM	4	
		9	90344-964-003	NUT C, CLIP, 6MM	3	
		10	90504-KBP-900	COLLAR, MIDDLE COVER	1	
		11	92301-06012-0A	BOLT, RECESSED, 6X12	1	
		12	92301-06014-0A	BOLT, RECESSED, 6X14	1	
		13	94050-06000	NUT, FLANGE, 6MM	2	
		14	98200-11000	FUSE A (10A)	1	

# F - 26

## Wire harness



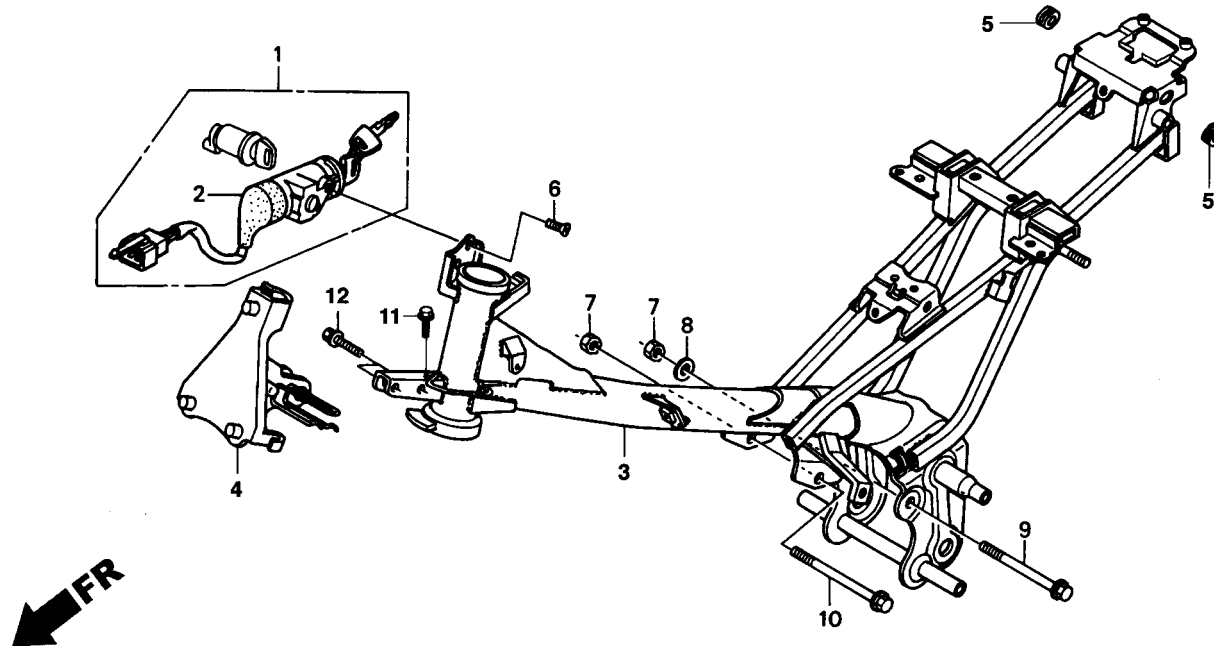
KRST

Service item	F.R.T.	No.	Part Number	Description	Q'ty	Notes
UNIT ASSY C.D.I.	0.4	1	30410-GN5-831	UNIT COMP., C.D.I	1	
.RECTIFIER COMP., REGULATE		2	30401-KEV-880	CUSHION, C.D.I. UNIT	1	
COIL ASSY., IGNITION	0.3	3	30500-KEV-950	COIL ASSY., IGNITION	1	
HARNESS, WIRE	1.2	4	30700-KPH-881	CAP ASSY., NOISE SUPPRESSOR	1	
HORN COMP	0.2	5	31600-GAZ-980	RECTIFIER COMP., REGULATE	1	
.RELAY ASSY., WINKER		6	32100-KRS-A00	HARNESS, WIRE	1	
		7	32113-230-004	CASE, FUSE CONNECTOR	1	
		8	38110-GN5-F00	HORN COMP	1	
		9	38300-KEV-830	RELAY ASSY., WINKER	1	
		10	38306-KK4-000	SUSPENSION, WINKER RELAY	1	
		11	93500-05020-0A	SCREW, PAN, 5X20	2	
		12	95701-06012-00	BOLT, FLANGE, 6X12	2	
		13	98200-11000	FUSE A (10A)	1	

08.08.2003



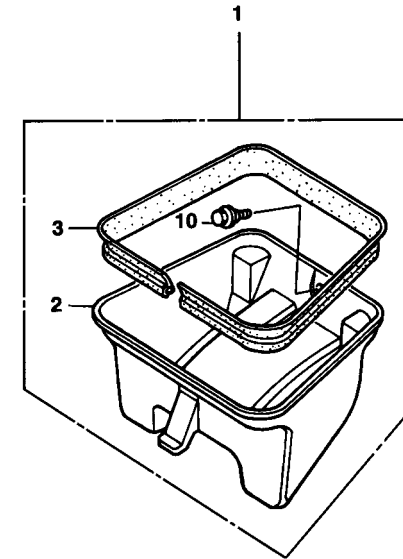
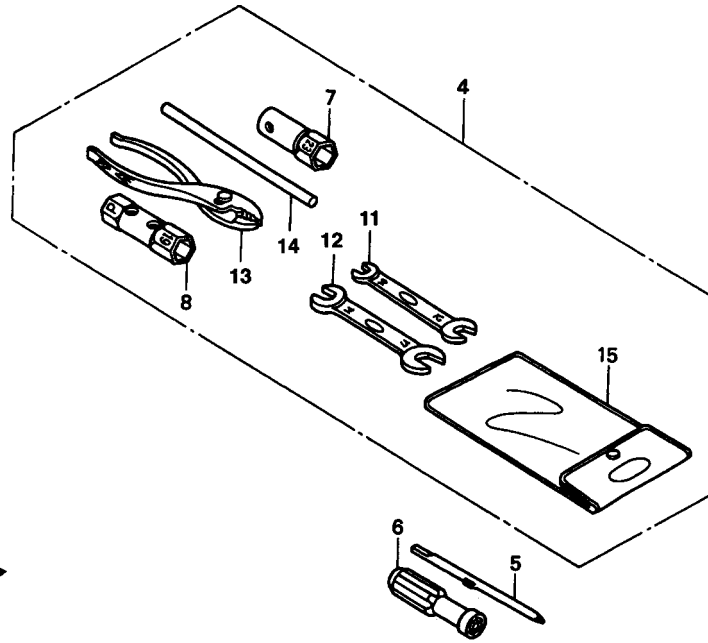
**F - 27**  
Frame body



KRST

Service item	F.R.T.	No.	Part Number	Description	Q'ty	Notes
KEY SET	0.7	1	35010-KEV-950	KEY SET	1	
SWITCH ASSY., COMBINATION & LOCK	0.5	2	35100-KEV-950	SWITCH ASSY., COMBINATION & LOCK	1	
BODY COMP., FRAME	*5.0	3	50100-KRS-A00	BODY COMP., FRAME	1	
STAY, FR. TOP COVER	0.4	4	64221-KEV-880	STAY, FR. TOP COVER	1	
		5	83551-GE2-000	GROMMET, AIR CLEANER CASE	2	
		6	90164-028-000	SCREW, U-LOCK FLAT, 6X12	2	
		7	94001-08090-0S	NUT, HEX., 8MM	2	
		8	94111-08000	WASHER, SPRING, 8MM	1	
		9	95301-08100-00	BOLT, HEX., 8X100	1	
		10	95301-08110-08	BOLT, HEX., 8X110	1	
		11	95701-06012-00	BOLT, FLANGE, 6X12	1	
		12	95701-08032-00	BOLT, FLANGE, 8X32	2	

**F - 28**  
Tools

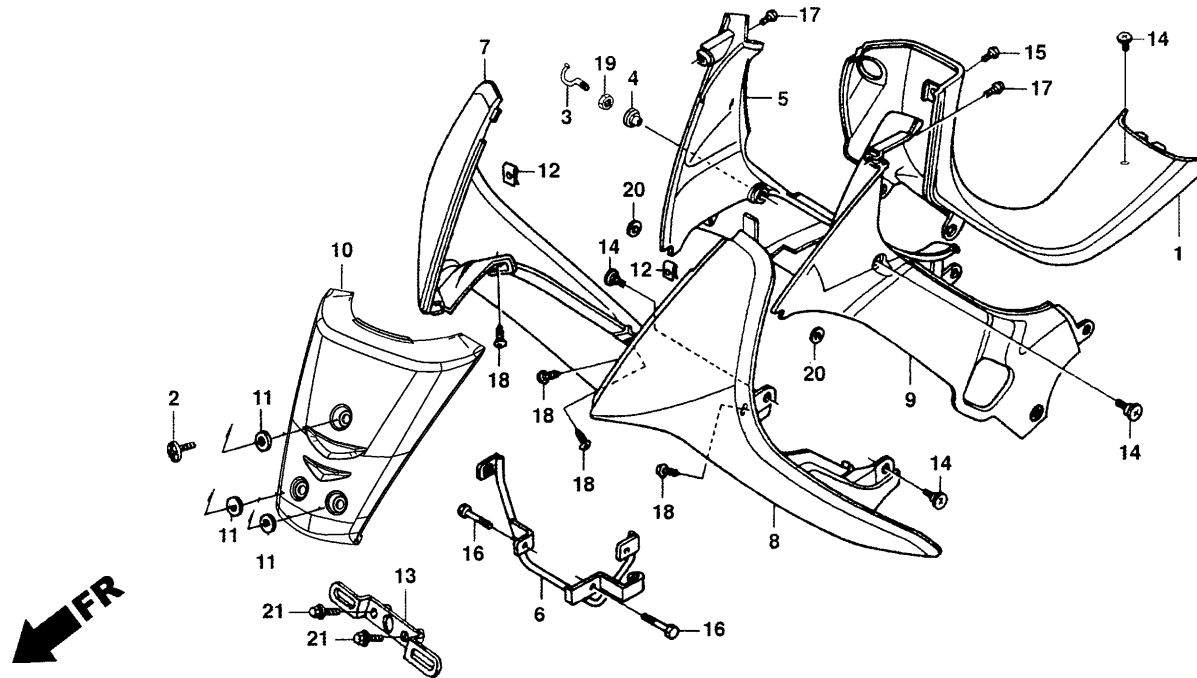


KRST

Service item	F.R.T.	No.	Part Number	Description	Q'ty	Notes
		1	80140-KEV-880	BOX COMP., UTILITY	1	
		2	80150-KEV-880	BOX, UTILITY	1	
		3	80160-KEV-900	RUBBER, SEAL	1	
		4	89010-KEV-880	TOOL SET	1	
		5	89102-538-000	PLUS MINUS 2 DRIVE	1	
		6	89103-538-000	GRIP	1	
		7	89214-041-000	WRENCH, BOX, 23MM	1	
		8	89216-GBG-770	WRENCH, SPARK PLUG	1	
		10	90111-162-000	BOLT, FLANGE, 6MM	1	
		11	99001-10120	SPANNER, 10X12	1	
		12	99001-14170	SPANNER, 14X17	1	
		13	99002-13500	PLIERS, 135	1	
		14	99005-01000	BAR A, HANDLE	1	
		15	99008-01600	BAG, TOOL, 160MM	1	

# F - 29

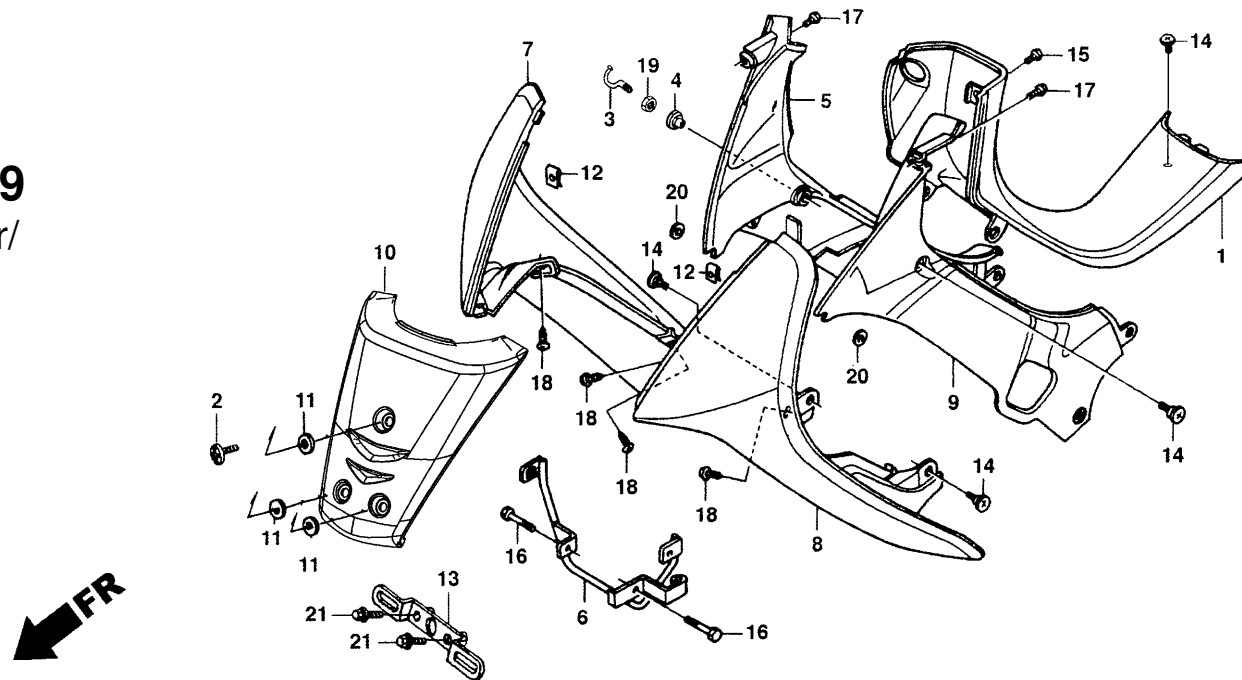
## Main pipe



KRST

Service item	F.R.T.	No.	Part Number	Description	Q'ty	Notes
COVER, FR. TOP	0.1	1	64320-KEV-790	COVER, MAIN PIPE	1	
COVER, MAIN PIPE SIDE (TAMBAHKAN 0.1 UNTUK MASING-MASING)		2	64321-GN5-830	SCREW, FRONT COVER	1	
		3	64341-KEV-FM0	HOOK, COVER R. MAIN PIPE SIDE	1	
COVER, MAIN PIPE	0.2	4	64342-KEV-FM0	COLLAR, COVER R. MAIN PIPE SIDE	1	
STAY, LEG SHIELD		5	64400-KEV-880FMB	COVER, R. MAIN PIPE SIDE (BLACK)	1	
SHIELD, LEG (TAMBAHKAN 0.1 UNTUK MASING-MASING)			64400-KEV-880FMH	COVER, R. MAIN PIPE SIDE (SLV)	1	
			64400-KEV-880FMK	COVER, R. MAIN PIPE SIDE (MAGNA RED)	1	
			64400-KEV-880FMP	COVER, R. MAIN PIPE SIDE (SHRPL BL)	1	
		6	64410-KRS-970	STAY, LEG SHIELD	1	
		7	64430-KEV-900FMB	SHIELD, R. LEG (BLACK)	1	
			64430-KEV-900FMH	SHIELD, R. LEG (SLV)	1	
			64430-KEV-900FMK	SHIELD, R. LEG (MAGNA RED)	1	
			64430-KEV-900FMP	SHIELD, R. LEG (SHRPL BL)	1	
		8	64440-KEV-900FMB	SHIELD, R. LEG (BLACK)	1	
			64440-KEV-900FMH	SHIELD, R. LEG (SLV)	1	
			64440-KEV-900FMK	SHIELD, R. LEG (MAGNA RED)	1	
			64440-KEV-900FMP	SHIELD, R. LEG (SHRPL BL)	1	

**F - 29**  
Main pipe cover/  
Leg shield

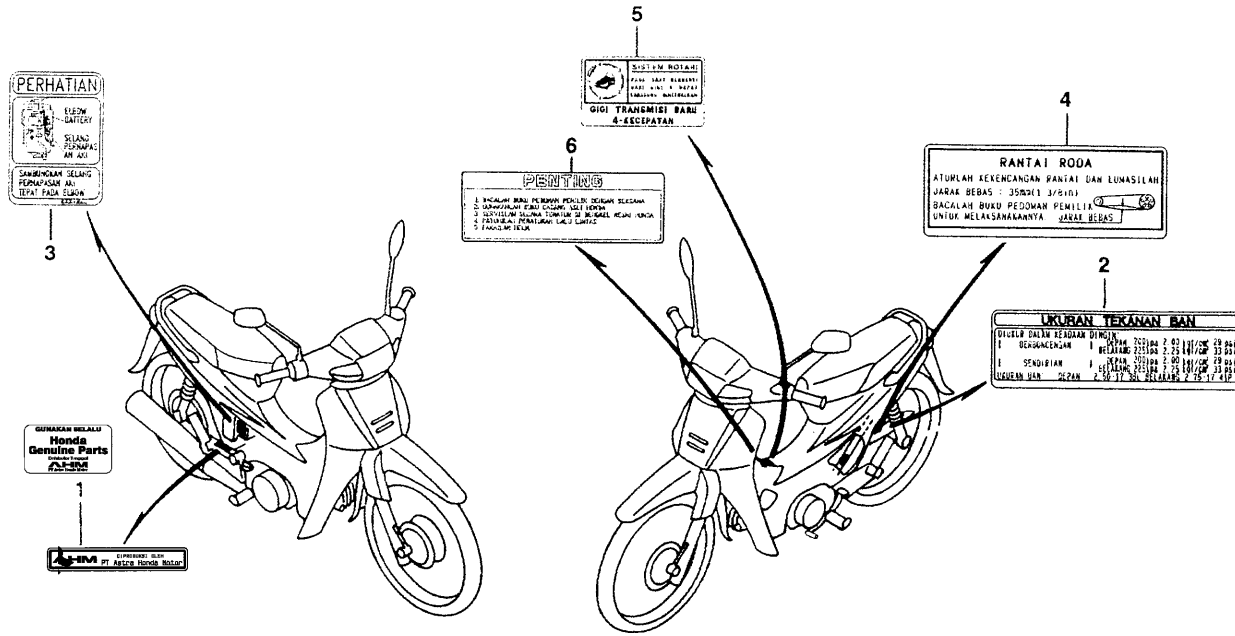


KRST

Service item	F.R.T.	No.	Part Number	Description	Q'ty	Notes
		9	64450-KEV-880FMB	COVER, L. MAIN PIPE SIDE (BLACK)	1	
			64450-KEV-880FMH	COVER, L. MAIN PIPE SIDE (SLV)	1	
			64450-KEV-880FMK	COVER, L. MAIN PIPE SIDE (MAGNA RED)	1	
			64450-KEV-880FMP	COVER, L. MAIN PIPE SIDE (SHRPL BL)	1	
		10	64500-KRS-690FMB	COVER, FR. TOP (BLACK)	1	
			64500-KEV-900FMP	COVER, FR. TOP (SHRPL BL)	1	
		11	64510-KEV-900	CUSHION., FRONT TOP COVER	3	
		12	64521-MN5-900	NUT, CLIP, 4MM	2	
		13	81110-KRS-A00	BRACKET., FRONT NUMBER PLATE	1	
		14	90107-KW7-900	BOLT, FAIRING SETTING	4	
		15	91509-GE2-760	SCREW, PAN, 5x11.5	1	
		16	92101-06020-0A	BOLT, HEX., 6x20	2	
		17	93891-04020-07	SCREW-WASHER, 4x20	2	
		18	93903-35210	SCREW, TAPPING, 5x12	6	
		19	94001-06000-0S	NUT, HEX., 6MM	1	
		20	94101-10000	WASHER, PLAIN, 10MM	2	
		21	95701-06032-08	BOLT, FLANGE, 6x32	2	

08.08.2003

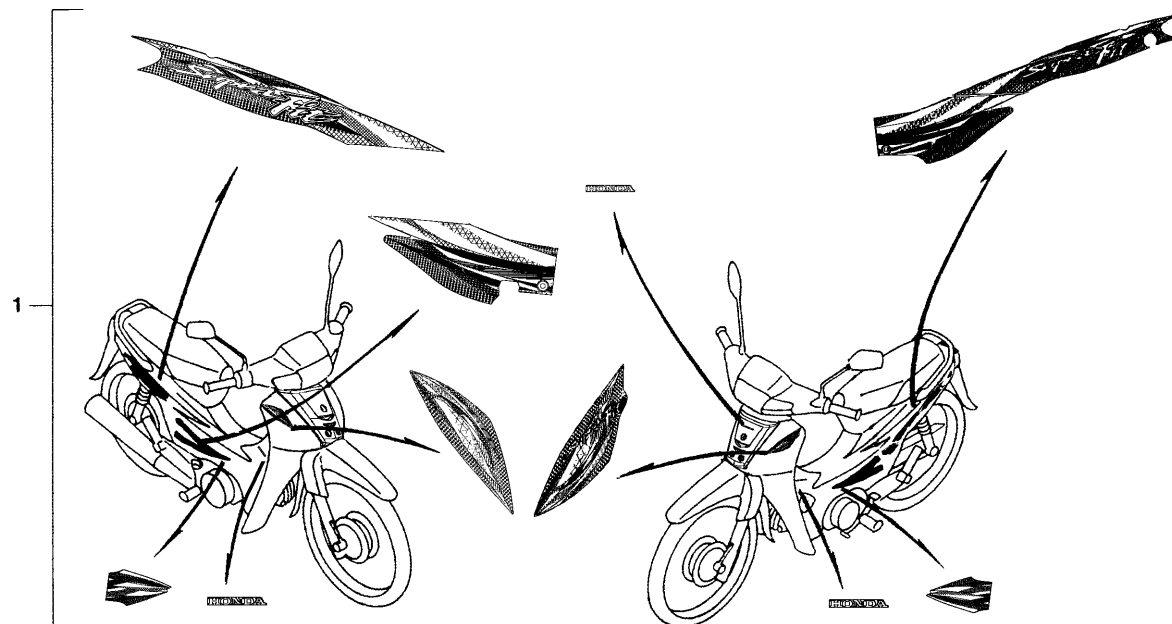
**F - 30**  
Caution label



KRST

Service item	F.R.T.	No.	Part Number	Description	Q'ty	Notes
		1	87128-KEV-FM0	PLATE, NAME	1	
		2	87505-KEV-880	LABEL, TIRE	1	
		3	87506-KEV-880	MARK, BATTERY CAUTION	1	
		4	87507-KEV-880	LABEL, DRIVE CHAIN	1	
		5	87512-GN8-111	LABEL, SHIFT PATTERN	1	
		6	87560-KC5-920	MARK, DRIVE CAUTION	1	

**F - 31**  
Emblem/  
Stripe/Mark



KRST

Service item	F.R.T.	No.	Part Number	Description	Q'ty	Notes
		1	871X0-KRS-A00ZA	STRIPE SET #1 KRST	1	
			871X0-KRS-A00ZB	STRIPE SET #2 KRST	1	
			871X0-KRS-A00ZC	STRIPE SET #3 KRST	1	
			871X0-KRS-A00ZD	STRIPE SET #4 KRST	1	
			871X0-KRS-A00ZE	STRIPE SET #5 KRST	1	
			871X0-KRS-A00ZF	STRIPE SET #6 KRST	1	