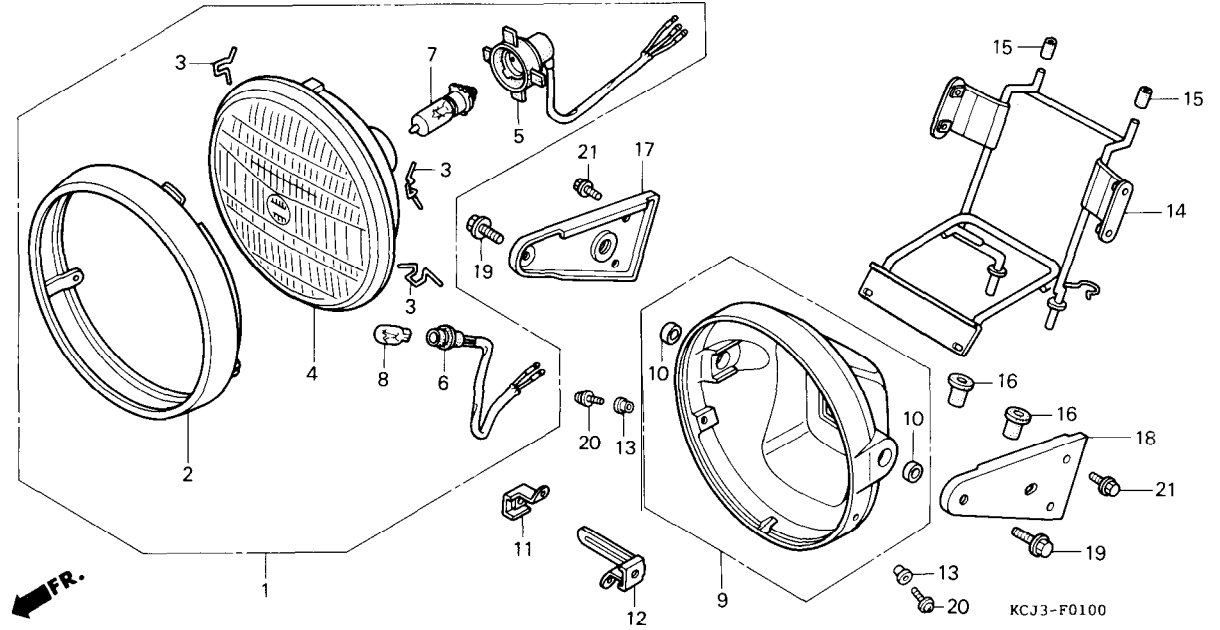


F - I

Headlight

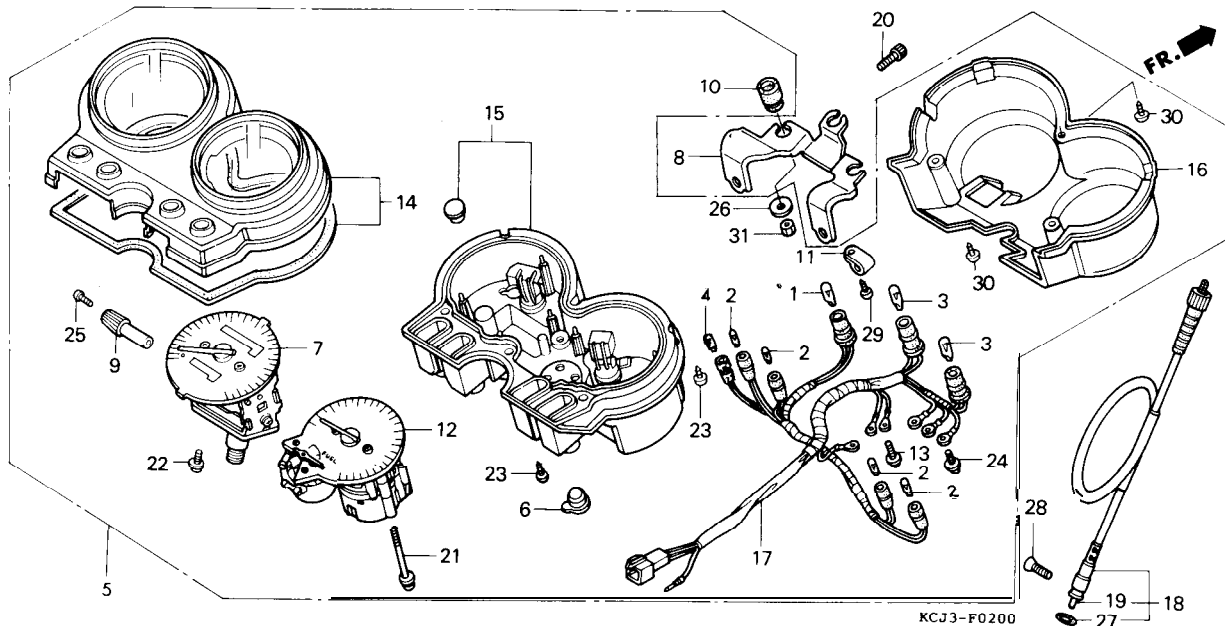


KCJ3-F0100

Service item Bagian yang diservis	F. R. T.	Ref.No. Nomor Petunjuk	Part No. Nomor Part	Description Nama - Part	Reqd. No. Jumlah GL 200	Serial No. Nomor Serie	Notes Catatan
HEADLIGHT ASSY.....	0.1	1	33100-KCJ-691	HEADLIGHT ASSY.....	1		
BULB, HEADLIGHT		2	33101-KCJ-691	RIM COMP., HEADLIGHT.....	1		
HEADLIGHT UNIT.....	0.2	3	33108-369-003	SPRING, HEADLIGHT SETTING (STANLEY)	3		
(INC. RELATIVE PART - termasuk part yang berhubungan		4	33120-KCJ-691	HEADLIGHT UNIT.....	1		
C:ASE, HEADLIGHT.....	0.3	5	33130-KCJ-691	SOCKET COMP., HEADLIGHT.....	1		
BRACKET, R. HEADLIGHT CASE (ADD 0.1 FOR EACH. - tambahkan 0,1 untuk masing²)		6	33150-KCJ-691	SOCKET COMP., POSITION LIGHT . . .	1		
STAY, HEADLIGHT.....	0.6	7	34901-KC5-003	BULB, HEADLIGHT (12V 35/36.5W)	1		
		8	34908-GAC-003	BULB, WEDGE BASE (12V 3.4W)...	1		
		9	61300-KCJ-690	CASE, HEADLIGHT.....	1		
		10	61302-KBW-900	COLLAR, HEADLIGHT CASE.....	2		
		11	61303-KBW-900	NUT, HEADLIGHT CASE SETTING...	1		
		12	61304-KBW-900	NUT, L. HEADLIGHT CASE.....	1		
		13	61304-379-690	COLLAR, HEADLIGHT SETTING.....	2		
		14	61311-KCJ-690	STAY, HEADLIGHT.....	1		
		15	61312-KBP-900	BOOT, HEADLIGHT BRACKET.....	2		
		16	61312-358-300	GROMMET, HEADLIGHT CASE.....	2		
		17	61313-KCJ-690	BRACKET, R. HEADLIGHT CASE....	1		
		18	61314-KCJ-690	BRACKET, L. HEADLIGHT CASE....	1		
		19	90100-438-850	BOLT, SPECIAL FLANGE, 8X22....	2		
		20	93892-05016-07	SCREW-WASHER, 5X16.....	2		
		21	96001-06010-00	BOLT, FLANGE, 6X10.....	4		

F - 2

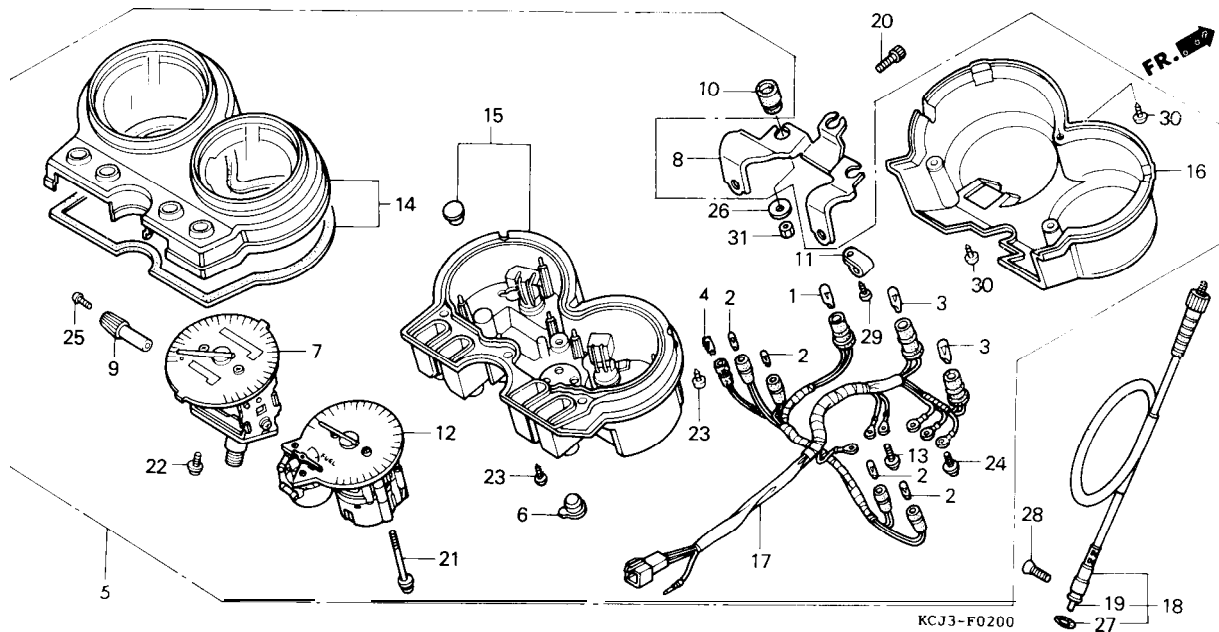
Meter



Service item Bagian yang diservis	F.R.T.	Ref.No. Nomor petunjuk	Part No. Nomor Part	Description Nama Part	Reqd. No. Jumlah	Serial No Nomor Serie	Notes Catatan
METER ASSY., COMBINATION.....	0 4	1	34908-GA7-701	BULB, WEDGE BASE (12V3.4W) ...	1		
PEEDOMETER ASSY.....	0 6	2	34908-KM1-671	BULB, WEDGE BASE (12V3W)....	4		
TACHO & FUEL METER		3	34908-MB9-871	BULB, WEDGE BASE (12V1.7W) ...	2		
CASE ASSY., UPPER		4	34908-MG9-951	BULB, WEDGE BASE (12V1.7W)	1		
CASE ASSY., UNDER		5	37100-KCJ-691	METER ASSY., COMBINATION	1		
SOCKET COMP.							
OVER.....	0 3	6	37113-ML7-008	CAP.....	1		
ABLE ASSY., SPEEDOMETER.....	0 1	7	37200-KCJ-691	SPEEDOMETER ASSY.....	1		
ABLE, INNER.....	0 2	8	37211 -KCJ-691	BRACKET, METER.....	1		
		9	37213-KY6-008	KNOB.....	1		
		10	37215-KCJ-691	RUBBER, METER SETTING.....	3		
		11	37215-KS3-901	CLAMP.....	1		
		12	37250-KCJ-691	TACHO & FUEL METER.....	1		
		13	37305-KE5-008	SCREW-WASHER, 3X22.....	3		
		14	37614-KCJ-691	CASE ASSY., UPPER.....	1		
		15	37615-KY6-681	CASE ASSY., UNDER.....	1		
		16	37618-KY6-008	COVER.....	1		
		17	37619-KCJ-691	SOCKET COMP.....	1		
		18	44830-KW1-900	CABLE ASSY., SPEEDOMETER.....	1		
		19	44831-KW1-900	CABLE, INNER.....	1		
		20	90010-KCJ-690	BOLT, SOCKET, 8MM.....	2		
		21	90032-ML7-671	SCREW, TAPPING, 4X36.....	2		
		22	90035-166-008	SCREW-WASHER, SPECIAL, 4X10...	2		
		23	90101 -KY6-008	SCREW, TAPPING, 3X14.....	3		
		24	90108-GN2-008	SCREW-WASHER, 3X10.....	3		
		25	90158-KM7-911	SCREW, PAN, 2X6.....	1		

F - 2

Meter



KCJ3-F0200

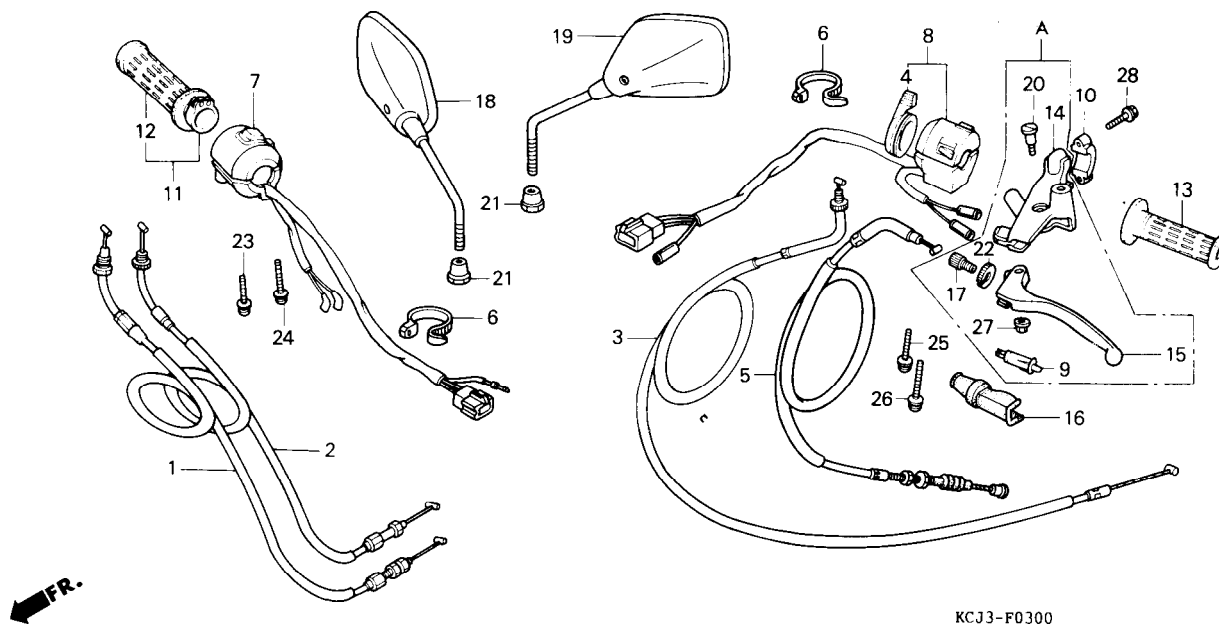
Service item
Bagian yang diservis

F. R. T.

Ref.No. Nomor Petunjuk	Part N o. Nomor Part	Description Nama Part	Reqd. No. Jumlah GL 200	Serial No. Nomor Serie	Notes Catatan
26	90525-030-000	WASHER B, HANDLE HOLDER			
27	91256-KK3-840	O-RING, 10X1.5.....	SETTING 3		
28	93700-05016-0A	SCREW, OVAL, 5X16.....	1		
29	93903-24420	SCREW, TAPPING, 4X16.....	1		
30	93903-24480	SCREW, TAPPING, 4X16.....	3		
31	94001-06000-0S	NUT, HEX., 6MM.....	3		

F - 3

Handle lever • Switch • Cable

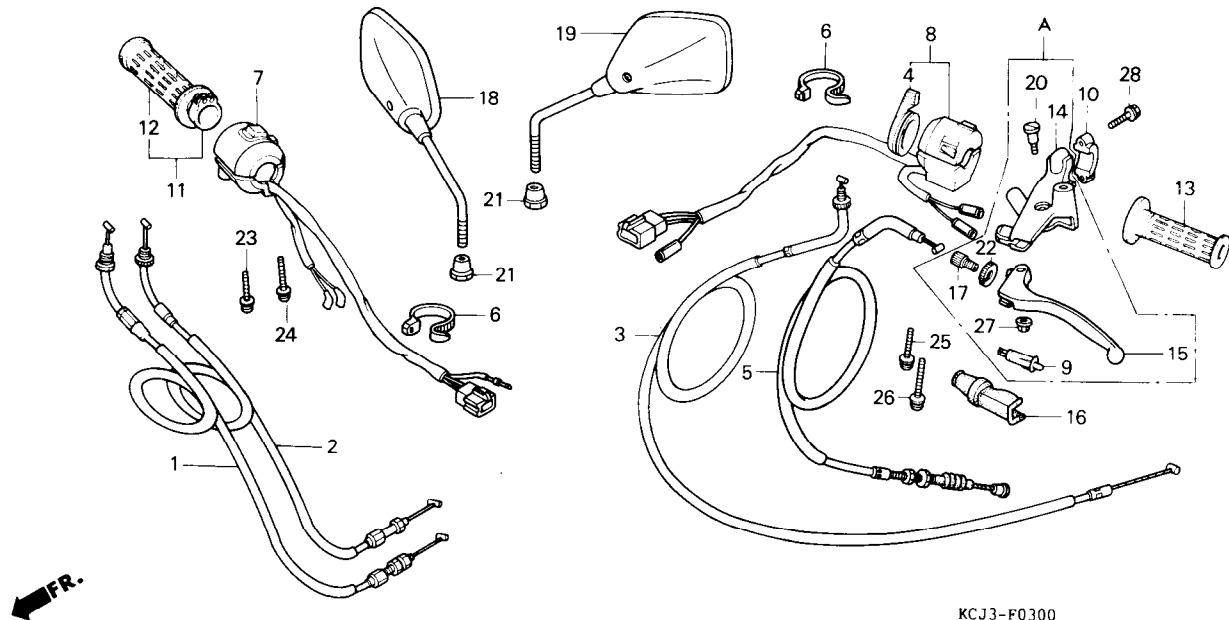


KCJ3-F0300

Service item Bagian yang diservis	F. R. T.	Ref.No. Nomor Petunjuk	Part No. Nomor Part	Description Nama - Part	Reqd. No. Jumlah GL 200	Serial No. Nomor Serie	Notes Catatan
CABLE COMP., THROTTLE..... (CONE OR ALL - satuatausemuanya)	0.4	1	17910-KCJ-690	CABLE COMP. A, THROTTLE.....	1		
.CABLE COMP., CHOKE		2	17920-KCJ-690	CABLE COMP. B, THROTTLE.....	1		
LEVER, CHOKE.....	0.3	3	17950-KCJ-690	CABLE COMP., CHOKE.....	1		
.GRIP, R. HANDLE		4	17962-KCJ-690	LEVER, CHOKE.....	1		
CABLE COMP., CLUTCH.....	0.2	5	22870-KCJ-690	CABLE COMP., CLUTCH.....	1		
.GRIP COMP., R.		6	32161-404-000	BAND B1, WIRE.....	2		
.BRACKET, HANDLE LEVER SWITCH ASSY., STARTER LIGHTING KILL.	0.6	7	35150-KCJ-690	SWITCH ASSY., STARTER LIGHTING KILL	1		
SWITCH ASSY., WINKER.....	0.5	8	35200-KCJ-690	SWITCH ASSY., WINKER.....	1		
S'WITCH COMP., FR. LEVER.....	0.1	9	35330-413-003	SWITCH COMP., FR. LEVER.....	1		
GRIP, L. HANDLE LEVER COMP., L. HANDLE		10	45517-166-006	HOLDER, MASTER CYLINDER.....	1		
		11	53140-MR4-900	GRIP COMP., R.....	1		
		12	53165-MR4-900	GRIP, R. HANDLE.....	1		
		13	53166-MR4-900	GRIP, L. HANDLE.....	1		
		14	53172-KT7-750	BRACKET, HANDLE LEVER.....	1		
		15	53178-KCJ-690	LEVER COMP., L. HANDLE.....	1		
		16	53180-425-010	BOOT, HANDLE LEVER.....	1		
		17	53192-349-690	BOLT, CLUTCH WIRE ADJUSTING...	1		
		18	88210-KCJ-305	MIRROR COMP., R. BACK.....	1		
		19	88220-KCJ-305	MIRROR COMP., L. BACK.....	1		
		20	90113-438-000	BOLT, L. STEERING HANDLE LEVER PIVOT	1		
		21	90314-GN5-910	NUT, LOCK.....	2		
		22	90321-MR8-000	NUT, FIXING.....	1		
		23	93892-05020-07	SCREW-WASHER, 5X20.....	1		
			1993.10.01	E	F-3		

F - 3

Handle lever • Switch • Cable

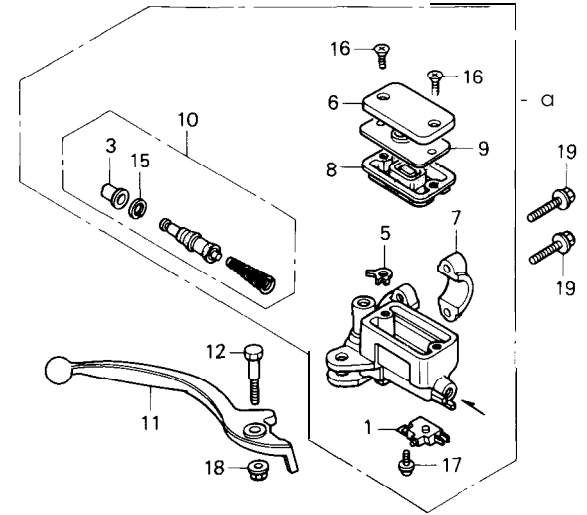
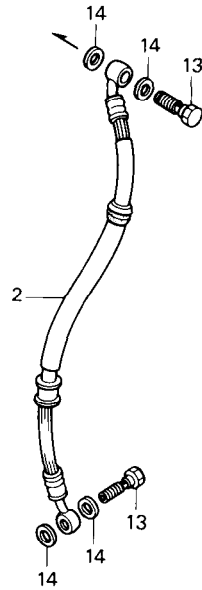


KCJ3-F0300

Service item Bagian yang diservis	F. R. T.	Ref.No. Nomor Petunjuk	Part No. Nomor Part	Description Nama Part	Reqd. No. Jumlah GL 200	Serial No. Nomor Serie	Notes Catatan
		24	93892-05025-07	SCREW-WASHER, 5X25.....	1		
		25	93892-05035-07	SCREW-WASHER, 5X35.....	1		
		26	93892-05045-07	SCREW-WASHER, 5X45.....	1		
		27	94050-06000	NUT, FLANGE, 6MM.....	1		
		28	96001-06022-07	BOLT, FLANGE, 6X22.....	2		
		A	53170-KCJ-690	LEVER ASSY, L. HANDLE.....	1		

F - 4

Front brake master
cylinder

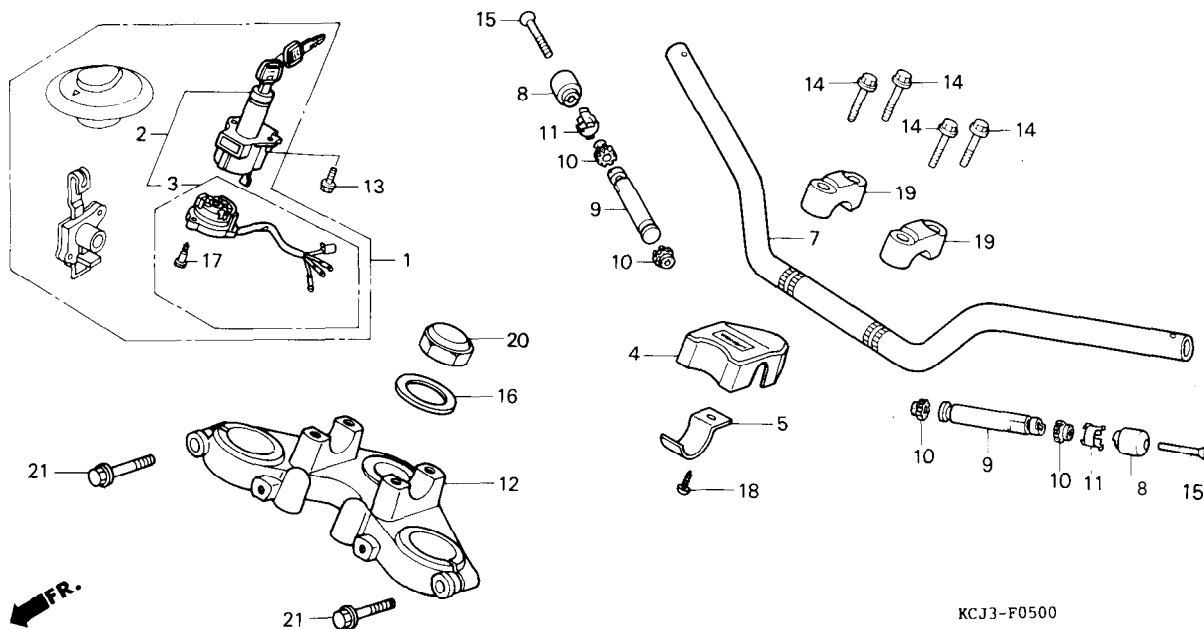


KCJ3-F0400

Service item Bagian yang diservis	F.R.T.	Ref.No. Nomor Petunjuk	Part No. Nomor Part	Description Nama Part	Reqd. No. Jumlah GL 200	Serial No. Nomor Serie	Notes Catatan
SWITCH ASSY., FR. STOP.....	0.1	1	35340-MA5-671	SWITCH ASSY., FR. STOP.....	1		
DIAPHRAGM		2	45126-KCJ-691	HOSE COMP., FR. BRAKE.....	1		
LEVER, R. STEERING HANDLE		3	45504-410-003	BOOT COMP.....	1		
HOSE COMP., FR. BRAKE.....	0.4	4	45510-KCJ-305	CYLINDER SUB ASSY., FR. BRAKE MASTER	1		
CYLINDER SUB ASSY., FR. BRAKE MASTER		5	45512-MA6-006	PROTECTOR.....	1		
		6	45513-HA2-006	CAP, MASTER CYLINDER.....	1		
		7	45517-166-006	HOLDER, MASTER CYLINDER.....	1		
		8	45520-MG7-006	DIAPHRAGM.....	1		
		9	45521-HA2-006	PLATE, DIAPHRAGM.....	1		
		10	45530-471-831	CYLINDER SET, MASTER.....	1		
		11	53175-KCJ-690	LEVER, R. STEERING HANDLE.....	1		
		12	90114-166-006	BOLT, HANDLE LEVER PIVOT.....	1		
		13	90145-MS9-611	BOLT, OIL, 10x22.....	2		
		14	90545-300-000	WASHER, OIL BOLT.....	4		
		15	90651-MA5-671	CIRCLIP.....	1		
		16	93600-04012-16	SCREW, FLAT, 4X12.....	2		
		17	93893-04012-17	SCREW-WASHER, 4X12.....	2		
		18	94050-06000	NUT, FLANGE, 6MM.....	2		
		19	96001-06022-07	BOLT, FLANGE, 6X22.....	2		

F - 5

Handle pipe-Top bridge

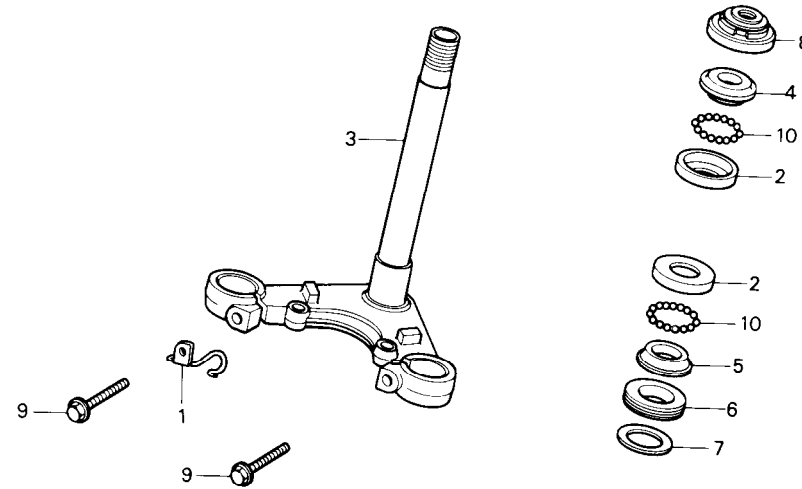


KCJ3-F0500

Service item Bagian yang diservis	F. R. T.	Ref.No. Nomor Petunjuk	Part No. Nomor Part	Description Nama Part	Reqd. No. Jumlah GL 200	Serial No. Nomor Serie	Notes Catatan
KEY SET.....	0.7	1	35010-KCJ-690	KEY SET.....	1		
SWITCH ASSY., COMBINATION & LOCK. 0.5		2	35100-KCJ-690	SWITCH ASSY., COMBINATION & LOCK	1		
.BASE COMP., CONTACT		3	35101-KCJ-690	BASE COMP., CONTACT.....	1		
.PIPE COMP., STEERING HANDLE		4	35105-KCJ-690	COVER, COMBINATION SWITCH.....	1		
.BRIDGE, FORK TOP		5	35106-KCJ-690	STAY, COMBINATION SWITCH COVER SETTING	1		
WEIGHT, STEERING HANDLE.....	0.2						
		7	53100-KCJ-690	PIPE COMP., STEERING HANDLE...	1		
		8	53104-KBW-900	WEIGHT, STEERING HANDLE.....	2		
		9	53104-KR3-000	WEIGHT B, HANDLE.....	2		
		10	53107-MB6-630	RUBBER B, HANDLE WEIGHT.....	4		
		11	53108-MB6-630	RING, HANDLE WEIGHT SNAP.....	2		
		12	53231-KCJ-690	BRIDGE, FORK TOP.....	1		
		13	90104-MJ1-000	BOLT, FLANGE, 8X19.....	2		
		14	90117-KW1-900	BOLT, FLANGE, 6X28.....	4		
		15	90191-MJ0-940	SCREW, OVAL, 6X40.....	2		
		16	90503-011-000	WASHER, STEERING STEM.....	1		
		17	91059-KY2-711	SCREW, TAPPING, 3X16.....	3		
		18	93903-25120	SCREW, TAPPING, 5X10.....	1		
		19	95014-21201	HOLDER A2, HANDLE PIPE UPPER..	2		
		20	95020-15100	NUT E, STEERING STEM.....	1		
		21	95701-08040-07	BOLT, FLANGE, 8X40.....	2		

F - 6

Steering stem

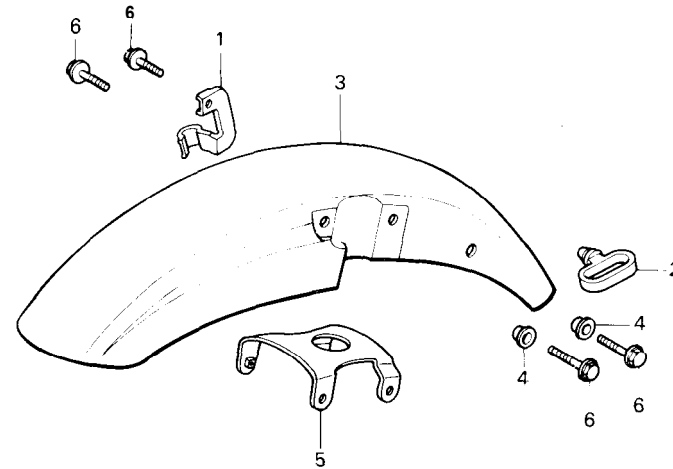


KCJ3-F0600

Service item Bagian yang diservis	F. R. T.	Ref.No. Nomor Petunjuk	Part No. Nomor Part	Description Nama - Part	Reqd. No. Jumlah GL 200	Serial No. Nomor Serie	Notes Catatan
CE, STEERING TOP BALL..... NE OR ALL -satu atau semuanya)	1.0	1	45155-KCJ-690	CLAMPER COMP., BRAKE HOSE.....	1		
		2	50301-041-010	RACE, STEERING TOP BALL.....	2		
ACE, STEERING TOP CONE		3	53200-KCJ-690	STEM COMP., STEERING.....	1		
EM COMP., STEERING.....	1.1	4	5321 I-028-010	RACE, STEERING TOP CONE.....	1		
READ COMP., STEERING HEAD		5	53212-030-010	RACE, STEERING BOTTOM CONE....	1		
TOP. 0.5		6	53214-001-010	DUST SEAL, STEERING HEAD.....	1		
		7	53215-001-000	WASHER, STEERING HEAD DUST SEAL	1		
		8	53220-074-000	THREAD COMP., STEERING HEAD TOP	1		
		9	95801-08040-07	BOLT, FLANGE, 8X40.....	2		
		10	9621 I-06000	BALL, STEEL, #6(3/16).....	42		

F - 7

Front fender

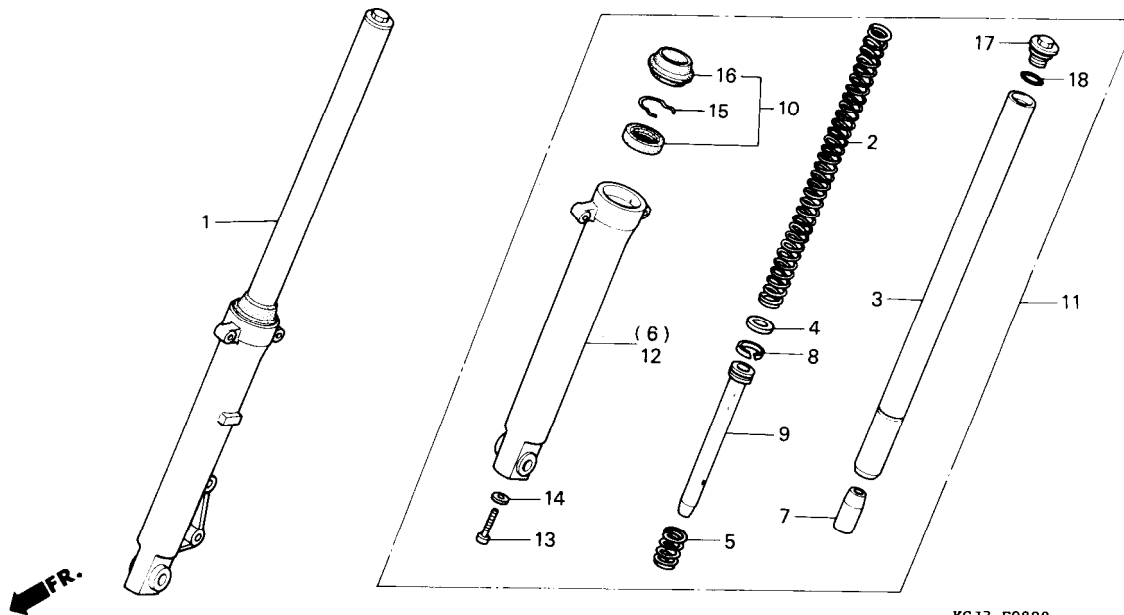


KCJ3-F0700

Service item Bagian yang diservis	F.R.T.	Ref.No. Nomor	Part No. Nomor Part	Description Nama -Part	Reqd. No. Jumlah GL 200	Serial No. Nomor Serie	Notes Catatan
ENDER, FR.....	0.1	1	45156-KBW-900	CLAMPER, FR. BRAKE HOSE.....	1		
		2	45451-473-000	GUIDE, FR. FENDER CABLE.....	1		
		3	61100-KCJ-690ZC	FENDER, FR. *G142M*			
				TASMANIA GREEN METALLIC	1		
			61100-KCJ-690ZD	*NH1*.....BLACK	1		
			61100-KCJ-690ZE	*RP140M*			
				VORTEX PURPLE METALLIC	1		
			61100-KCJ-690ZF	*R202CU*.....CANDY LAC RED-U	1		
		4	61101-KCJ-690	COLLAR, FR. FENDER SETTING....	4		
		5	61102-KCJ-690	STAY, FR. FENDER.....	1		
		6	96001-06025-00	BOLT, FLANGE, 6X25.....	4		

F - 8

Front fork

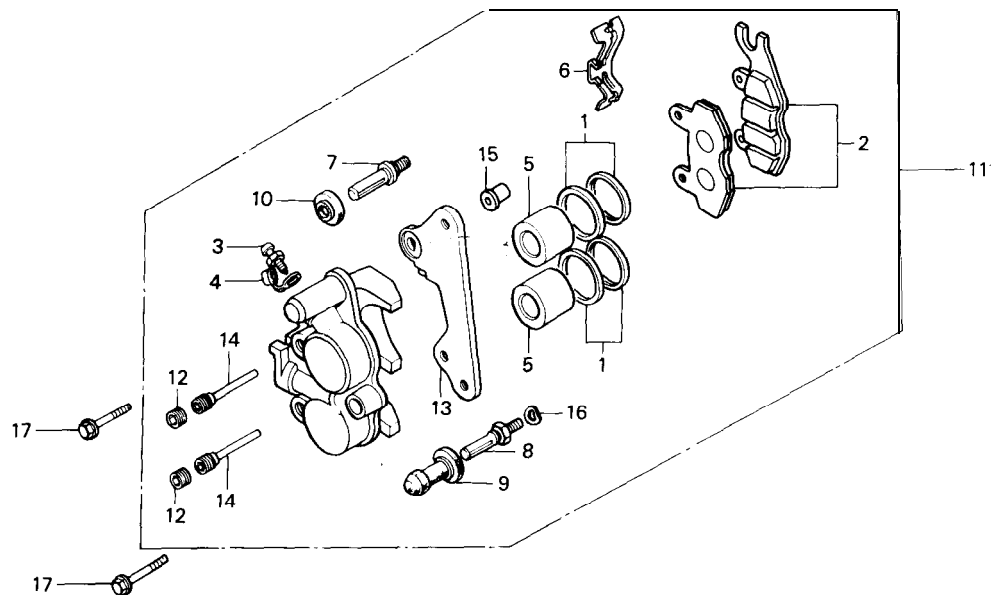


KCJ3-F0800

Service item Bagian yang diservis	F. R. T.	Ref.No. Nomor Petunjuk	Part No. Nomor Part	Description Nama - Part	Reqd. No. Jumlah GL 200	Serial No. Nomor Serie	Notes Catatan
FORK ASSY., FR.....	0.5	1	51400-KCJ-691	FORK ASSY., R. FR.....	1		
(ADD 0.2 FOR EACH. - tambahkan 0.2 untuk masing ²)		2	51401-KCJ-691	SPRING, FR. FORK.....	2		
SPRING, FR. FORK.....	0.2	3	51410-KCJ-691	PIPE COMP., FR. FORK.....	2		
PIPE COMP., FR. FORK.....	0.8	4	51412-KK4-003	RING, BACK UP.....	2		
(ADD 0.5 FOR EACH. - tambahkan 0,5 untuk masing ²)		5	51412-369-000	SPRING, FR. CUSHION REBOUND...	2		
SEAL SET, FR. FORK (ADD 0.5 FOR EACH. - tambahkan 0.5 untuk masing ²)	0.9	6	51420-KCJ-691	CASE, R. BOTTOM.....	1		
CASE, R. BOTTOM.....		7	51432-447-731	PIECE, OIL LOCK.....	2		
(ADD 0.5 FOR EACH. - tambahkan 0.5 untuk masing ²)		8	51437-613-003	RING, PISTON.....	2		
SEAL SET, FR. FORK.....		9	51440-KCJ-691	PIPE, SEAT.....	2		
(ADD 0.6 FOR EACH. - tambahkan 0.6 untuk masing ²)		10	51490-GAA-305	SEAL SET, FR. FORK.....	2		
		11	51500-KCJ-691	FORK ASSY., L. FR.....	1		
		12	51520-KCJ-691	CASE, L. BOTTOM.....	1		
		13	90116-383-721	BOLT, SOCKET, 8MM.....	2		
		14	90544-283-000	WASHER, SPECIAL, 8MM.....	2		
		15	90601-354-000	RING, OIL SEAL STOP.....	2		
		16	91254-GAA-003	DUST SEAL (SHOWA).....	2		
		17	94605-27101	BOLT D1, FORK.....	2		
		18	94608-50000	O-RING, 23X2.8.....	2		

F - 9

Front brake caliper

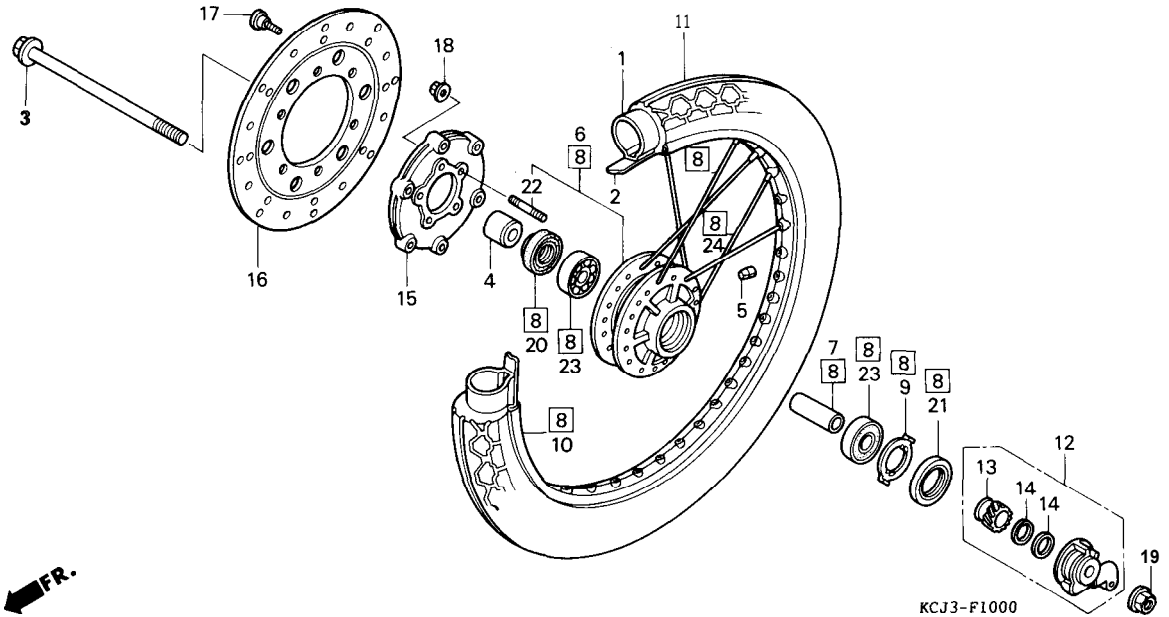


KCJ3-F0900

Service item Bagian yang diservis	F. R. T.	Ref.No. Nomor petunjuk	Part No. Nomor Part	Description Nama Part	Reqd. No. Jumlah GL 200	Serial No. Nomor Serie	Notes Catatan
SEAL SET, PISTON.....	0.6	1	06451-GE2-405	SEAL SET, PISTON.....	2		
PAD SET, FR.....	0.2	2	06455-KR3-405	PAD SET, FR.....	1		
BRACKET, R.		3	43352-568-003	SCREW, BLEEDER.....	1		
PISTON.....	0.5	4	43353-461-771	CAP, BLEEDER.....	1		
(ADD 0.1 FOR EACH. - tambahkan 0,1 untuk masing ²)		5	45107-MN5-006	PISTON.....	2		
(INC. RELATIVE PART - termasuk part yang berhubungan)		6	45108-ML4-006	SPRING, PAD (NISSIN).....	1		
CALIPER ASSY., R. FR.....	0.4	7	45131-GE2-006	PIN A, BOLT.....	1		
		8	45131-GZO-006	BOLT, PIN.....	1		
		9	45132-166-016	BOOT, PIN BOLT.....	1		
		10	45133-MA3-006	BOOT B.....	1		
		11	45200-KCJ-691	CALIPER ASSY., R. FR.....	1		
		12	45203-MG3-016	PLUG, PIN.....	2		
		13	45210-KR3-871	BRACKET, R.....	1		
		14	45215-KA3-732	PIN, HANGER.....	2		
		15	45216-KW6-901	NUT, TORQUE.....	1		
		16	45216-166-006	WASHER, WAVE.....	1		
		17	90155-KY4-901	BOLT, FLANGE, 8X25.....	2		

F-10

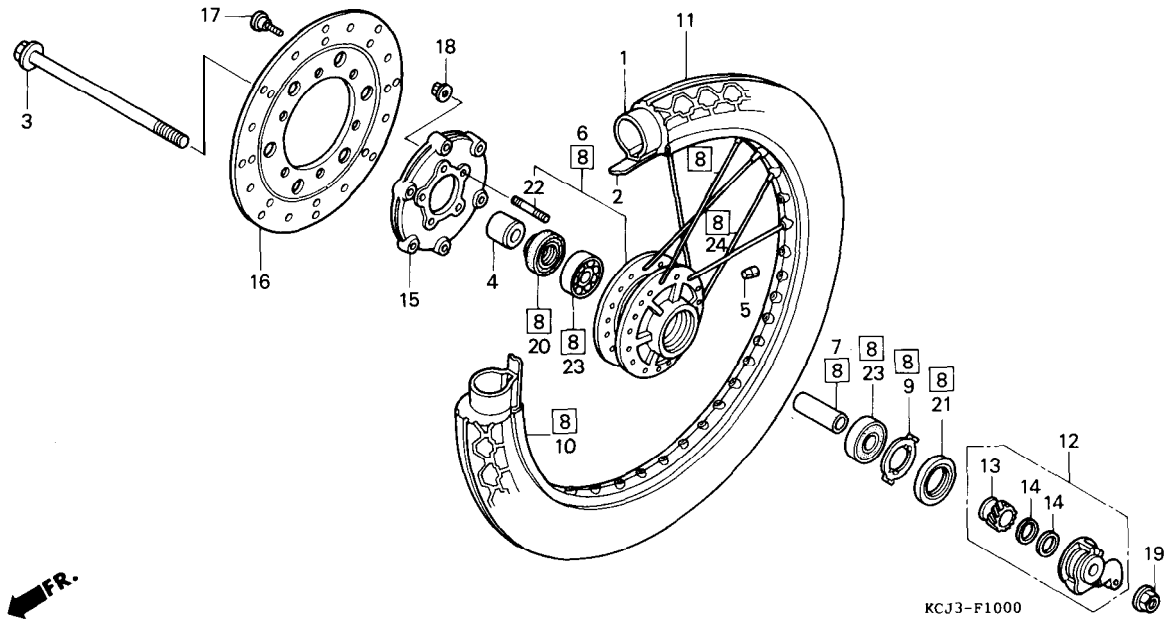
Front wheel



Service item Bagian yang diservis	F. R. T.	Ref.No. Nomor Petunjuk	Part No. Nomor Part	Description Nama - Part	Reqd. No. Jumlah GL 200	Sèrial No. Nomor Serie	Notes Catatan
AXLE, FR. WHEEL.....	0.3	1		TUBE, TIRE (3.00-18).....	1		
BOX ASSY., SPEEDOMETER GEAR		2		FLAP, TIRE (18).....	1		
GEAR, SPEEDOMETER		3	44301-KW1-900	AXLE, FR. WHEEL.....	1		
HUB COMP., FR. WHEEL.....	2.6	4	4431 1-046-000	COLLAR, FR. WHEEL SIDE.....	1		
COLLAR, FR. AXLE DISTANCE.....	0.5	5	44606-283-000	BALANCER (20G).....	N		
BEARING, RADIAL BALL, 6301U ADD 0.1 FOR EACH..		6	44610-KCJ-690	HUB COMP., FR. WHEEL.....	1		
- tambahkan 0,1 untuk masing ²)		7	44620-400-000	COLLAR, FR. AXLE DISTANCE.....	1		
WHEEL SET, FR.....	1.0	8	44650-KCJ-305	WHEEL SET, FR.....	1		
SHIM, FR. WHEEL.....	2.3	9	44680-410-000	RETAINER, GEAR BOX.....	1		
HUB, FR. BRAKE.....	0.4	10	44701-KCJ-690	RIM, FR. WHEEL.....	1		
DISK, FR. BRAKE		11		TIRE, FR. (2.75-18 42P).....	1		
		12	44800-KW1-911	BOX ASSY., SPEEDOMETER GEAR... 1			
		13	44806-399-701	G E A R, S P E E D O M E T E R..... 1			
		14	44808-399-701	WASHER, SPEEDOMETER GEAR..... 2			
		15	45122-KCJ-690ZC	HUB, FR. BRAKE *NH255M* SHIMMER SILVER METALLIC 1			
		16	45251-KR3-000	DISK, FR. BRAKE..... 1			
		17	90105-MK5-010	BOLT, DISK, 8X22..... 6			
		18	90301-473-003	NUT, u , 6MM..... 5			
		19	90306-KFO-003	NUT, FLANGE, 12MM..... 1			
		20	91252-030-003	OIL SEAL, 23 X 37 X 7 (ARAI)..... 1			
		21	91258-410-006	D U S T S E A L, 40X50X5 (NOK)..... 1			
		22	92911-06018-OE	B o L T, s t U D, 6 X 18..... 5			

F-10

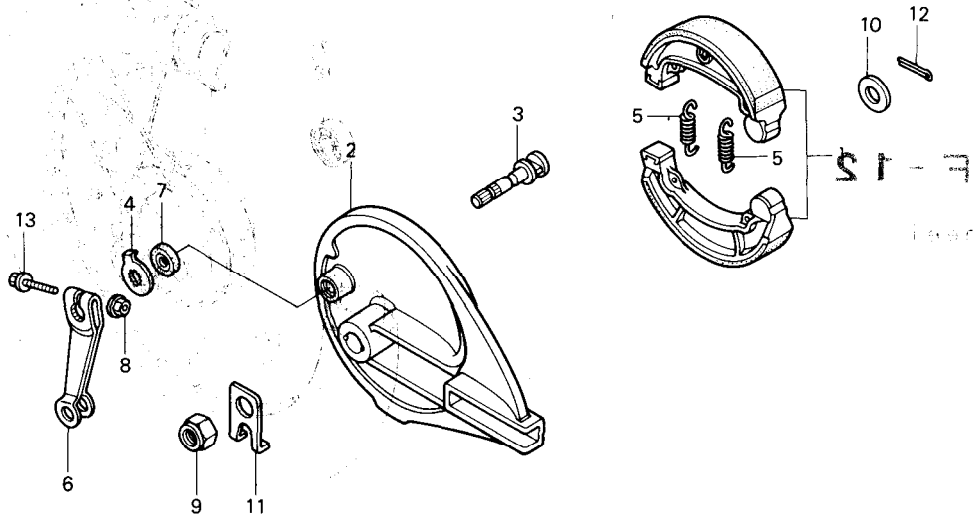
Front wheel



Service item Bagian yang diservis	F.R.T.	Ref.No. Part No. Uomor Nomor Part petunjuk	Description Nama - Part	Reqd. No. Jumlah GL 200	Serial No. Nomor Serie	Notes Catatan
		2 3 96140-63010H 2 4 9-195S	BEARING, RADIAL BALL, 6301RS... SPOKE SET 27518	2 1*		. 1 set = 18 pcs INSIDE SPOKES (9-1 95) 18 pcs OUTSIDE SPOKES (9-1 94.5)

F-11

Rear brake panel

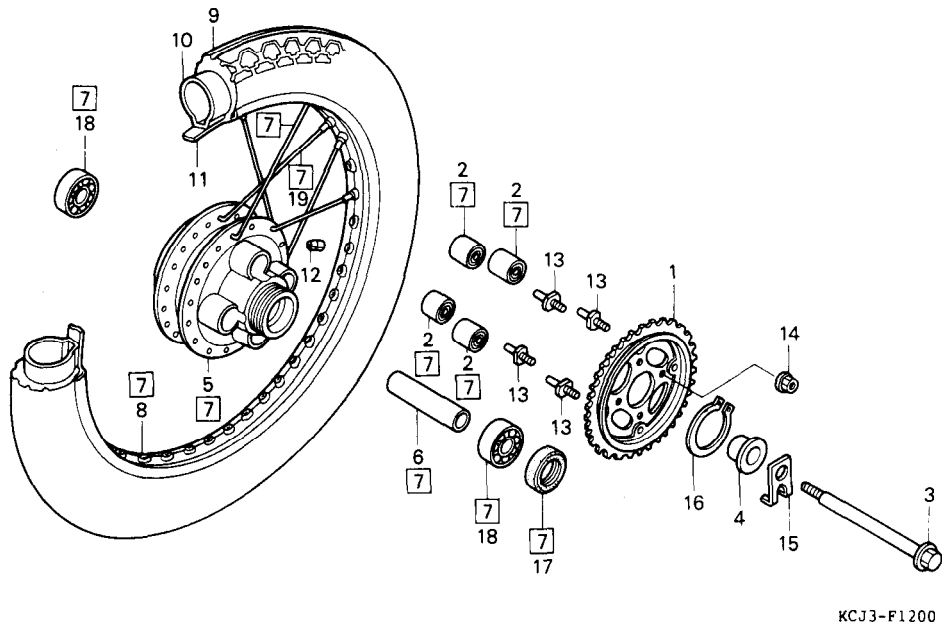


KCJ3-F1100

Service item Bagian yang diservis	F. R. T.	Ref.No. Nomor Petunjuk	Part No. Nomor Part	Description Nama - Part	Reqd. No. Jumlah GL 200	Serial No. Nomor Serie	Notes Catatan
SHOE SET, BRAKE.....	0.5	1	431_20-KCJ-690	SHOE SET, BRAKE.....	1		
PANEL COMP., RR. BRAKE.....	0.6	2	43100-KCJ-690ZC	PANEL COMP., RR. BRAKE *NH255M*	1		
(INC. RELATIVE PART. - termasuk part yang berhubungan)				SHIMMER SILVER METALLIC	1		
ARM, RR. BRAKE.....	0.1	3	43141-ME4-000	CAM, RR. BRAKE.....	1		
		4	43145-399-000	INDICATOR, RR. BRAKE.....	1		
		5	43151-329-000	SPRING, RR. BRAKE SHOE.....	2		
		6	43410-KCJ-690	ARM, RR. BRAKE.....	1		
		7	45134-250-000	DUST SEAL, BRAKE CAM.....	1		
		8	90301-473-003	NUT, U, 6MM.....	1		
		9	90305-ME5-003	NUT, FLANGE, 16MM.....	1		
		10	90524-030-000	WASHER A, HANDLE HOLDER SETTING	1		
		11	90559-KCJ-690	WASHER, RR. AXLE.....	1		
		12	94201-20200	PIN, SPLIT, 2.0X20.....	1		
		13	95701-06035-00	BOLT, FLANGE, 6X35.....	1		

F - 12

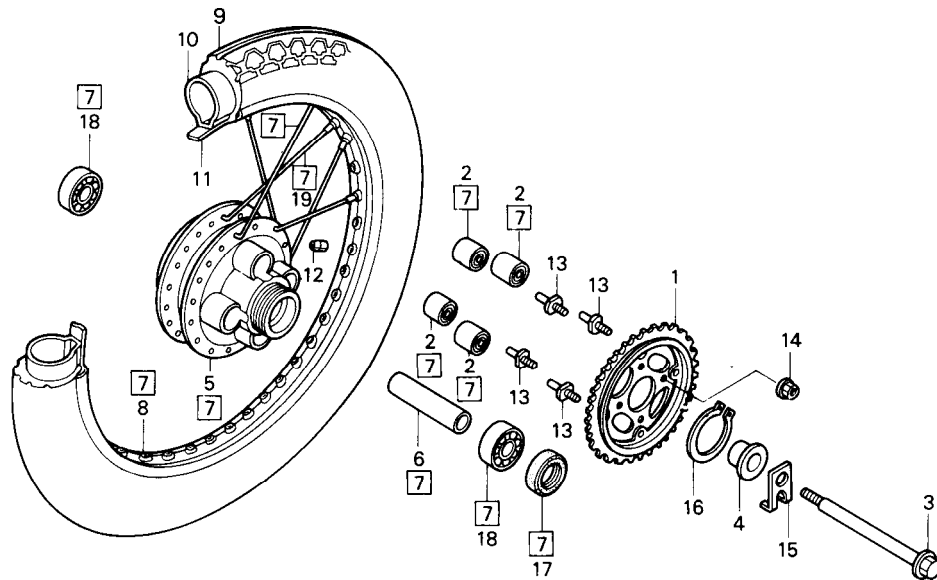
Rear wheel



Service item Bagian yang diservis	F. R. T.	Ref.No. Nomor Petunjuk	Part No. Nomor Part	Description Nama-Part	Reqd. No. Jumlah GL 200	Serial No. Nomor Serie	Notes Catatan
SPROCKET COMP., FINAL DRIVEN... 0.5 COLLAR, RR. AXLE DISTANCE BEARING, RADIAL BALL, 6203U ('ADD 0.1 FOR EACH. (tambahkan 0,1 untuk masing²)		1	41200-KCJ-690	SPROCKET COMP., FINAL DRIVEN (43T)	1		
		2	41241-307-010	BUSH, RR. WHEEL DAMPER	4		
		3	42301-KCJ-690	AXLE, RR. WHEEL	1		
		4	42312-KCJ-690	COLLAR, RR. WHEEL	1		
		5	42601-KCJ-690ZA	HUB COMP., RR. WHEEL *NH255M*	1		
		6	42620-KCJ-690	COLLAR, RR. AXLE DISTANCE	1		
		7	42650-KCJ-3052C	WHEEL SUB ASSY., RR. *NH255M*	1		
		8	42701-KCJ-690	RIM, RR. WHEEL	1		
		9	-	TIRE, RR. (100/90-18 56P)	1		
		10	-	TUBE, TIRE (100/90-18)	1		
		11	-	FLAP, TIRE (18)	1		
		12	44606-283-000	BALANCER (20G)	N		
		13	90128-KBB-900	BOLT, SPROCKET FIXING	4		
		14	90304-GE8-003	NUT, U, 10MM	4		
		15	90559-KCJ-690	WASHER, RR. AXLE	1		
		16	90664-216-000	CIRCLIP, 58MM	1		
		17	90753-GB4-681	OIL SEAL, 27X40X6	1		
		18	96140-62030-10	BEARING, RADIAL BALL, 6203U...	2		

F - 1 2

Rear wheel



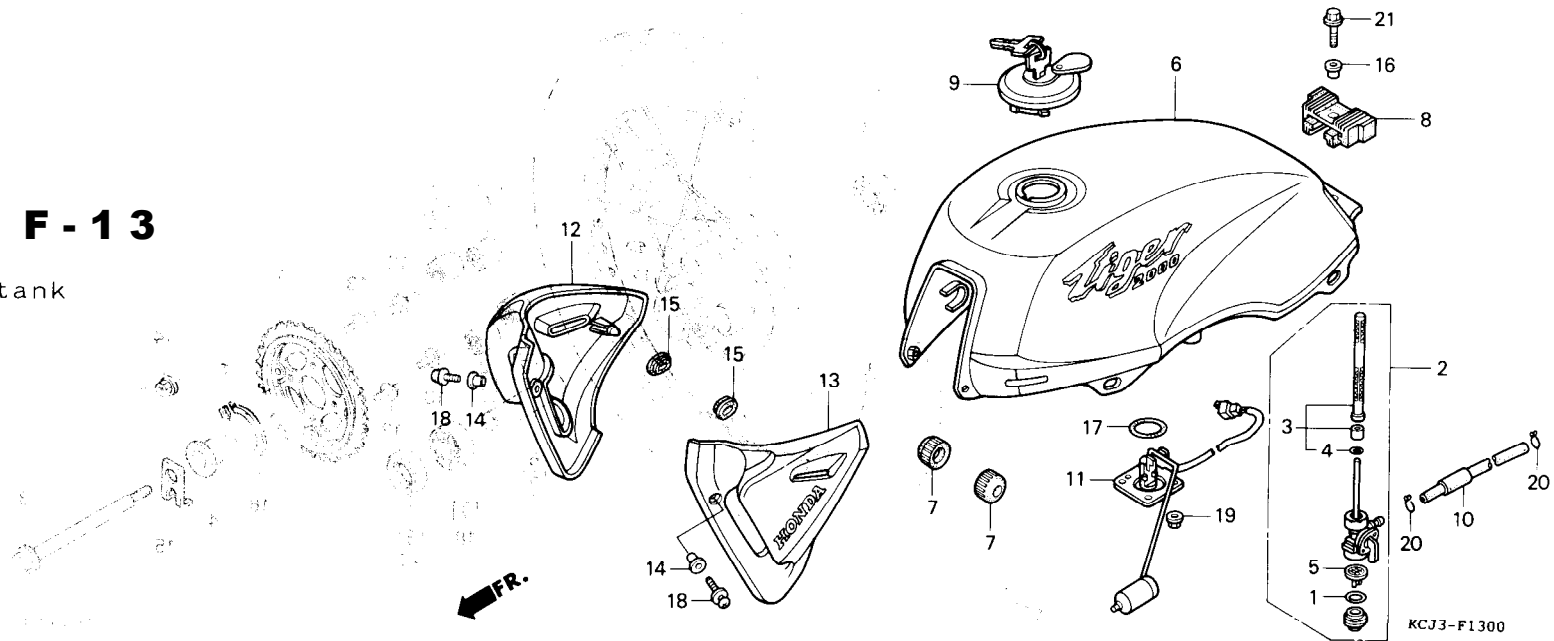
FR.

KCJ3-F1200

Service item Bagian yang diservis	F. R. T.	Ref.No. Part No. Nomor Nomor Part Petunjuk	Description Nama - Part	Reqd. No. Jumlah CL 200	Serial No. Nomor Serie	Notes Catatan
		19 9-161	SPOKE SET 100/9018.....1.			* 1 set = 18 pcs INSIDE SPOKES (9-l 61) 18 pcs OUTSIDE SPOKE: (9-l 62.5)

F - 13

Fuel tank



KCJ3-F1300

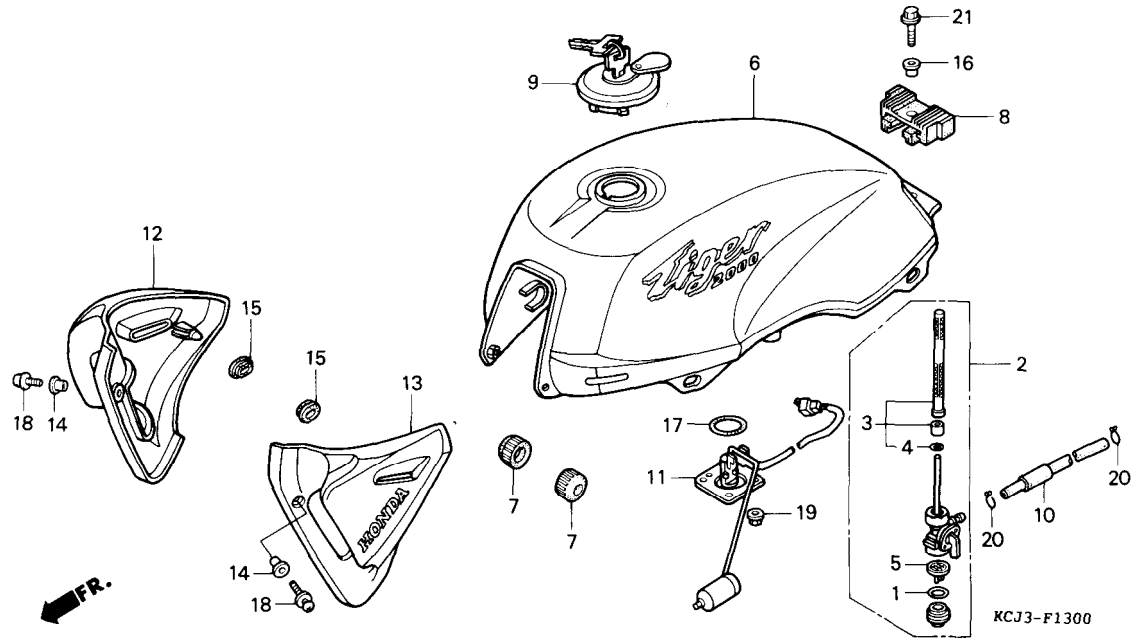
Service Item Bagian yang diservis	Ref.No. Part No. Nomor Nomor Part Petunjuk	Description Nama - Part	Reqd. No. Jumlah GL 200	Serial No. Nomor Serie	Notes Catatan
COCK ASSY., FUEL..... 0.2	1 16173-001-004	PACKING, FUEL STRAINER CUP....	1		
. SCREEN SET, FUEL STRAINER	2 16950-KCJ-691	COCK ASSY., FUEL.....	1		
TANK SUB ASSY., FUEL..... 0.4	3 16952-461-771	SCREEN SET, FUEL STRAINER.....	1		
. FUEL UNIT	4 16958-MA1-731	O-RING.....	1		
. SHROUD SUB ASSY., R..... 0.1	5 16959-471-831	FILTER, CUP.....	1		
. SHROUD SUB ASSY., L.	6 17520-KCJ-691ZC	TANK SUB ASSY., FUEL (WL) *R202CU-TYPE1*	1		
	17520-KCJ-691ZD	TANK SUB ASSY., FUEL (WL) *RP140M-TYPE2*	1		
	17520-KCJ-691ZE	TANK SUB ASSY., FUEL (WL) ● GI 42M - TYPES			
	17520-KCJ-691ZF	TANK SUB ASSY., FUEL (WL) ● NHIF - TYPE4	4		
	17520-KCJ-691ZG	TANK SUB ASSY., FUEL (WL) *NH1E - TYPE5*	1		
	17520-KCJ-691ZH	TANK SUB ASSY., FUEL (WL) *NH1G - TYPE6*			
	7 17611-286-000	CUSHION, FUEL TANK FR.....	2		
	8 17613-MV4-000	CUSHION, FUEL TANK RR.....	1		
	9 17620-460-067	CAP COMP., FUEL FILLER.....	1		
	10 17681-KBW-900	TUBE, FUEL.....	1		
	11 37800-KBW-900	FUEL UNIT.....	1		
	12 50200-KCJ-690ZA	SHROUD SUB ASSY., R. *G142M*			
	50200-KCJ-690ZB	*NH1*.....BLACK	1		

Color chart for fuel tank sub assy.
Tabel warna untuk fuel tank sub assy.

Type	Main body color Warna utama kendaraan
TYPE1 1	Candy lac red
TYPE2 1	Vortex purple metallic
TYPE3	Tasmania green metallic
TYPE4	Black (NH1F)
TYPE5	Black (NH1E)
TY PE6	Black (NH1G)

F-13

Fuel tank



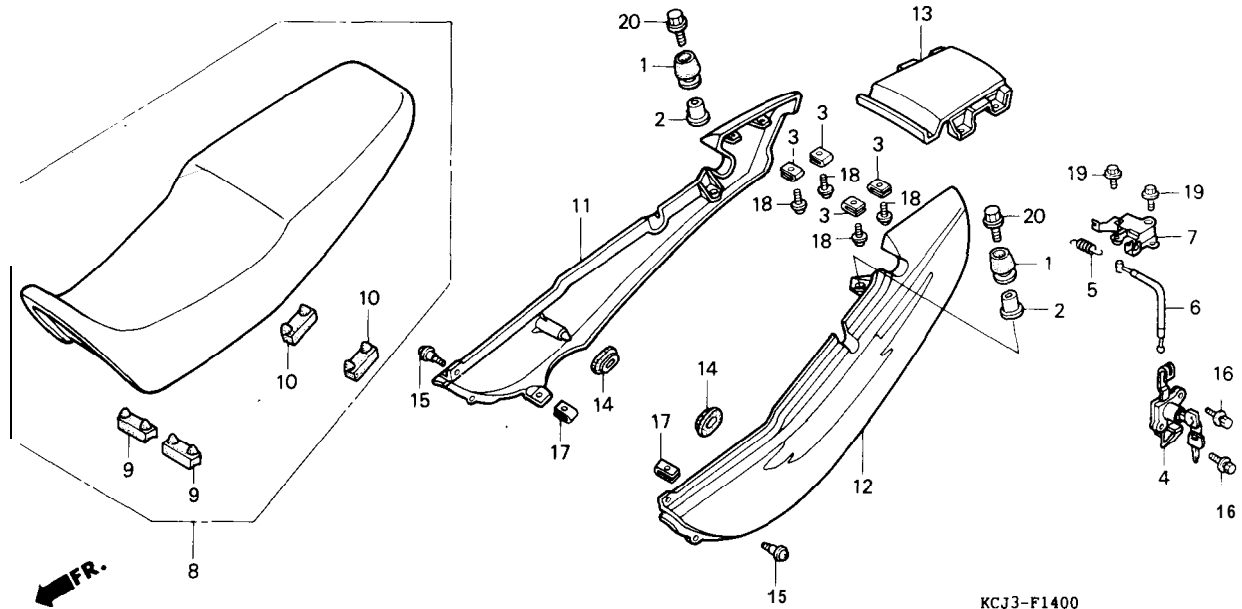
Service i tern
Bagian yang diservis

F.R.T.

Ref.No. Nomor Petunjuk	Part No. Nomor Part	Description Nama - Part	Reqd. No. Jumlah GL 200	Serial No. Nomor Serie	Notes Catatan
12)	50200-KCJ-690ZD	SHROUD SUB ASSY., R. *RP140M*			
		VORTEX PURPLE METALLIC	1		
	50200-KCJ-690ZF	*R202CU*.....CANDY LAC RED-U	1		
13	50300-KCJ-690ZA	SHROUD SUB ASSY., L. *G142M*			
		TASMANIA GREEN METALLIC	1		
	50300-KCJ-690ZB	*NH1*.....BLACK	1		
	50300-KCJ-690ZD	*RP140M*			
		VORTEX PURPLE METALLIC	1		
	50300-KCJ-690ZF	*R202CU*.....CANDY LAC RED-U	1		
14	61102-329-790	COLLAR, RIVETING.....	2		
15	83551-300-000	GROMMET, AIR CLEANER CASE.....	2		
16	90324-KBW-900	COLLAR, FUEL TANK MOUNTING....	1		
17	91305-443-740	O-RING.....	1		
18	93891-05012-07	SCREW-WASHER, 5X12.....	2		
19	94050-06080	NUT, FLANGE, 6MM.....	4		
20	95002-02100	CLIP, TUBE (B10).....	2		
21	95701-08025-08	BOLT, FLANGE, 8X25.....	1		

F - 14

Seat-Rear cowl



KCJ3-F1400

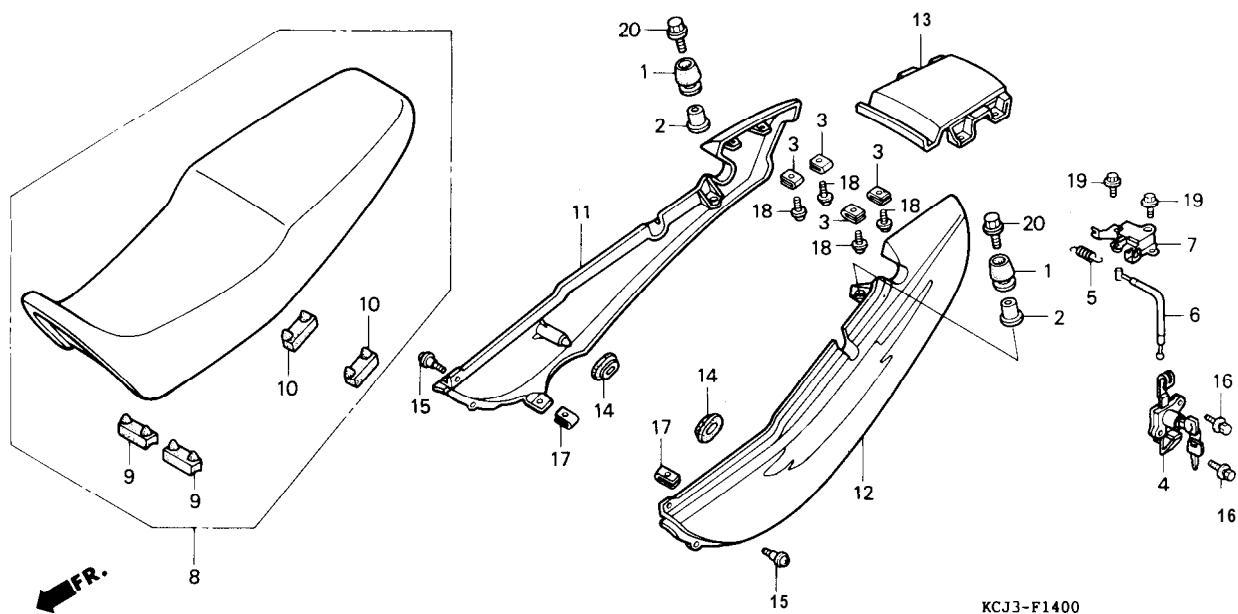
Service item Bagian yang diservis	F. R. T.	Ref.No. Nomor	Part No. Nomor Part	Description Nama Part	Reqd. No. Jumlah GL 200	Serial No. Nomor Serie	Notes Catatan
LOCK ASSY., SEAT.....	0.5	1	61103-KBB-900	RUBBER A, RR. FENDER MOUNTING.	2		
CABLE, SEAT LOCK.....	0.2	2	61104-357-000	COLLAR, FR. FENDER.....	2		
.COWL SUB ASSY., R. RR. SIDE (ADD 0.1 FOR EACH - tambahkan 0,1 untuk masing²)		3	64527-KY2-7G0	NUT, CLIP, 4MM.....	4		
.COWL SUB ASSY., RR. CENTER		4	77110-ML7-922	LOCK ASSY., SEAT..			
BRACKET COMP., SEAT LOCK.....	0.1	5	77151-MB1-870	SPRING, SEAT LOCK.			
SEAT ASSY., DOUBLE		6	77156-KCJ-690	CABLE, SEAT LOCK..	1		
Color chart for left rear side cowl sub assv.		7	77160-KCJ-690	BRACKET COMP., SEAT LOCK.....	1		
Tabel warna untuk left rear side cowl sub assy.		a	77200-KCJ-690	SEAT ASSY., DOUBLE	1		
		9	77204-292-000	RUBBER, SEAT SETTING.....	2		
		10	77205-286-000	RUBBER B, SEAT SETTING.....	2		
		11	77215-KCJ-691ZE	COWL SUB ASSY., R. RR. SIDE *G142M-TYPE3*.....	1		
			77215-KCJ-691ZJ	COWL SUB ASSY., R. RR. SIDE ● R202CU-TYPE1*.....	1		
			77215-KCJ-691ZK	COWL SUB ASSY., R. RR. SIDE *RP140M-TYPE2*.....	1		
			77215-KCJ-691ZL	COWL SUB ASSY., R. RR. SIDE NH1 F-TYPE4			
			77215-KCJ-691ZM	COWL SUB ASSY., R. RR. SIDE NH1 E-TYPE5*.....			
			77215-KCJ-691ZN	COWL SUB ASSY., R. RR. SIDE *NH1G-TYPE6*.....			
		12	77225-KCJ-691ZC	COWL SUB ASSY., L. RR. SIDE ● R202CU-TYPE1*.....			
			77225-KCJ-691ZD	COWL SUB ASSY., L. RR. SIDE *RP140M-TYPE2*.....			

Color chart for left
rear side cowl sub assy.
Tabel warna untuk left
rear side cowl sub assy.

Type	Main body color Warna utama kendaraan
TYPE1 2'	Candy lac red
TYPE2 2	Vortex purple metallic
TYPE3	Tasmania green metallic
TYPE4 1	Black (NH1F)
TYPE5 1	Black (NH1E)
TYPE6 1	Black (NH1G)

F-14

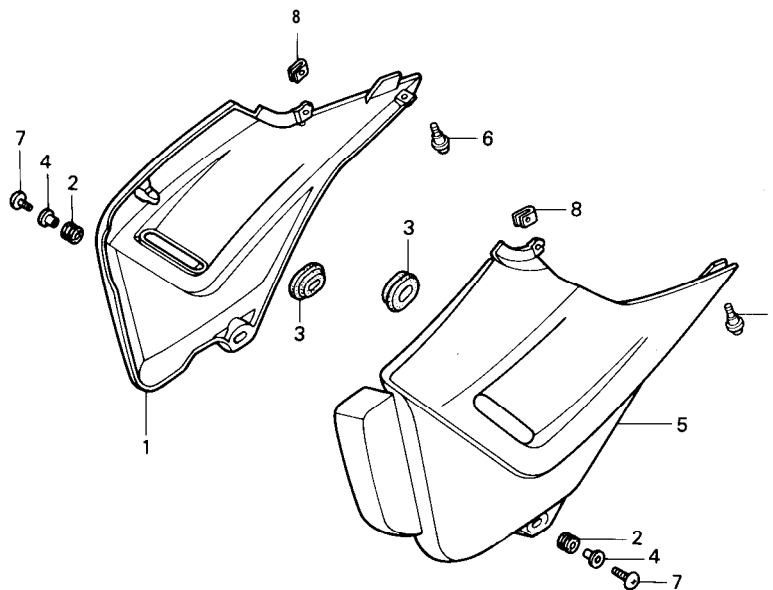
Seat-Rear cowl



Service item Bagian yang diservis	F. R. T.	Ref.No. Part No. Nomor Nomor Part Petunjuk	Description Nama - Part	Reqd. No. Jumlah GL200	Serial No. Nomor Serie	Notes Catatan
		12)77225-KCJ-691ZE	COWL SUB ASSY., L. RR. SIDE *G142M - TYPE3*.....	1		
		77225-KCJ-691ZF	COWL SUB ASSY., L. RR. SIDE *NH1F-TYPE4*.....	1		
		77225-KCJ-691ZG	COWL SUB ASSY., L. RR. SIDE *NH1E-TYPES.....	1		
		77225-KCJ-691ZH	COWL SUB ASSY., L. RR. SIDE *NH1G-TYPE6*.....	1		
		13 77235-KCJ-691ZB	COWL SUB ASSY., RR. CENTER ● G142M.....	1		
		77235 -KCJ -691ZC	COWL SUE ASSY., RR. CENTER NH1*.....	1		
		77235-KCJ-691ZE	COWL SUB ASSY., RR. CENTER *RP140M*.....	1		
		77235-KCJ -691ZG	COWL SUB ASSY.. RR. CENTER R202CU*.....	1		
		14 83551-300-000	GROMMET, AIR CLEANER CASE.....	2		
		15 90101 -GEO-000	SCREW, HINGE PATCH.....	2		
		16 90107-KBW-900	BOLT, BREAK OFF.....	2		
		17 90320-GC3-000	NUT, SPRING, 5MM.....	2		
		18 93894-04012-00	SCREW-WASHER, 4X12.....	4		
		19 95701-06012-08	BOLT, FLANGE, 6X12.....	2		
		20 95701-06025-00	BOLT; FLANGE, 6X25.....	2		

F - 15

Side cover

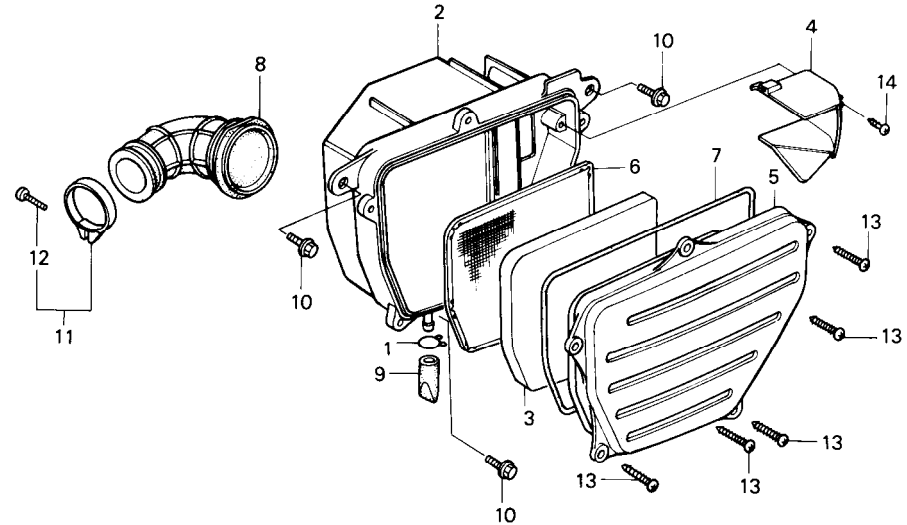


KCJ3-F1500

Service item Bagian yang diservis	F.R.T.	Ref. No. Nomor etunjuk	Part No. Nomor Part	Description Nama Part	Reqd. No. Jumlah GL 200	Serial No. Nomor Serie	Notes Catatan
COVER, R. SIDE..... (ONE OR ALL - satu atau semuanya)	0.1	1	83540-KCJ-690ZA	COVER, R. SIDE *NH303M*			
				MAT AXIS GRAY METALLIC	1		
		2	83545-KCJ-690	RUBBER, SIDE COVER.....	2		
		3	83551-300-000	GROMMET, AIR CLEANER CASE.....	2		
		4	83601-357-000	COLLAR, COVER SETTING.....	2		
		5	83640-KCJ-691ZA	COVER, L. SIDE *NH303M*			
				MAT AXIS GRAY METALLIC	1		
		6	90101 -GEO-000	SCREW, HINGE PATCH.....	2		
		7	90104-KR1 -860	BOLT, SPECIAL, 6X22.....	2		
		8	90320-GC3-000	NUT, SPRING, 5MM.....	2		

F - 16

Air cleaner

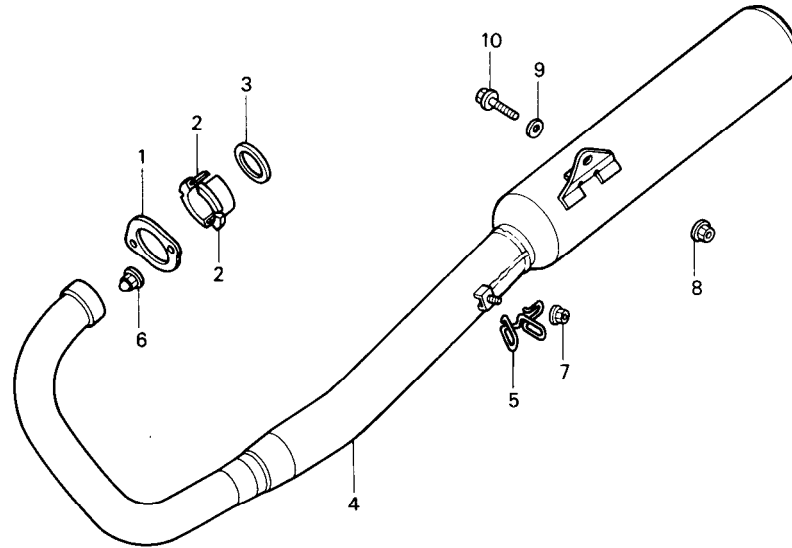


KCJ3-F1600

Service item Bagian yang diservis	F. R. T.	Ref.No. Nomor Petunjuk	Part No. Nomor Part	Description Nama - Part	Reqd. No. Jumlah GL 200	Serial No. Nomor Serie	Notes Catatan
CASE, AIR CLEANER.....	0.6	1	15772-292-010	CLIP, BREATHER TUBE.....	1		
ELEMENT, AIR CLEANER.....	0.1	2	17210-KCJ-690	CASE, AIR CLEANER.....	1		
COVER, AIR CLEANER CASE		3	17213-KCJ-690	ELEMENT, AIR CLEANER.....	1		
GUARD, AIR CLEANER ELEMENT.....	0.2	4	17214-KW1-900	DUCT, AIR CLEANER.....	1		
TUBE, AIR CLEANER CONNECTING...	0.5	5	17220-KCJ-690	COVER, AIR CLEANER CASE.....	1		
		6	17222-KBW-900	GUARD, AIR CLEANER ELEMENT....	1		
		7	17226-KW1-900	SEAL, AIR CLEANER.....	1		
		8	17253-KBW-900	TUBE, AIR CLEANER CONNECTING..	1		
		9	17358-170-000	TUBE, DRAIN.....	1		
		10	90111-187-000	BOLT, FLANGE, 6MM.....	3		
		1 1	90652-KBB-900	BAND, AIR CLEANER CONNECTING TUBE (52)	1		
		12	93500-05025-06	SCREW, PAN, 5X25.....	1		
		13	93903-25420	SCREW, TAPPING, 5X20.....	5		
		14	93903-34320	SCREW, TAPPING, 4X12.....	1		

F-17

Exhaust muffler

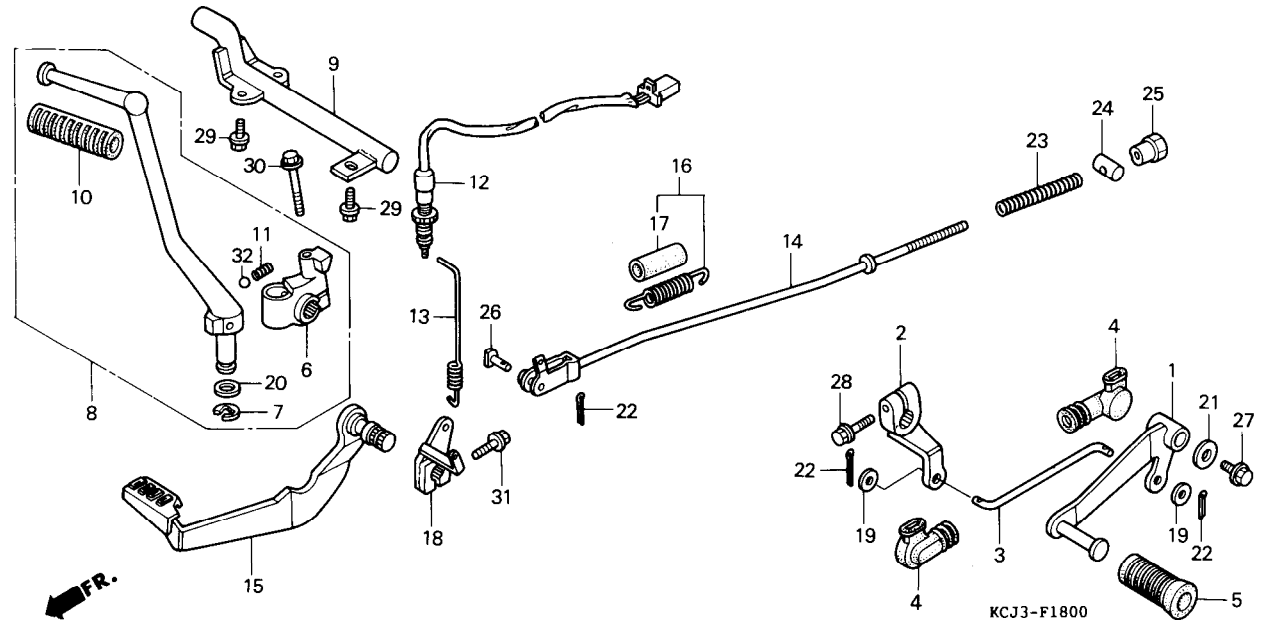


KCJ3-F1700

Service item Bagian yang diservis	F.R.T.	Ref.No. Nomor Petunjuk	Part No. Nomor Part	Description Nama Part	Reqd. No. Jumlah GL 200	Serial No. Nomor Serie	Notes Catatan
GASKET, EX. PIPE.....	0.2	1	18231-KBW-900	JOINT, EX. PIPE.....	1		
MUFFLER COMP., EX.		2	18233-KBW-900	COLLAR, EX. PIPE JOINT.....	2		
		3	18291-MN5-650	GASKET, EX. PIPE.....	1		
		4	18300-KCJ-690	MUFFLER COMP., EX.....	1		
		5	50125-KCJ-690	GUIDE, HOSE.....	1		
		6	90304-MJ0-920	NUT, CAP, 7MM.....	2		
		7	94050-06000	NUT, FLANGE, 6MM.....	1		
		8	94050-10000	NUT, FLANGE, 10MM.....	1		
		9	94103-10000	WASHER, PLAIN, 10MM.....	1		
		10	95801-10055-00	BOLT, FLANGE, 10X55.....	1		

F-18

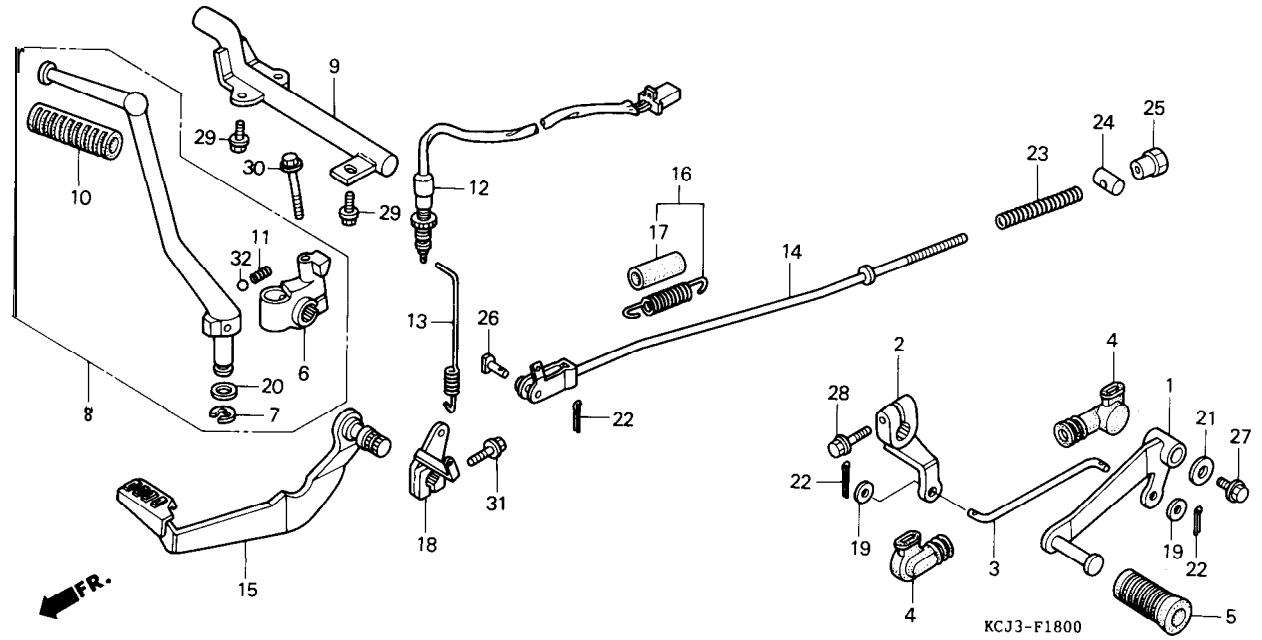
Peda l



Service item Bagian yang diservis	F. R. T.	Ref.No. Part No. Nomor Nomor Part Petunjuk	Description Nama Part	Reqd. No. Jumlah GL 200	Serial No. Nomor Serie	Notes Catatan
PEDAL, GEAR CHANGE.....	0.1	1 24701 -KCJ -690	PEDAL, GEAR CHANGE.....	1		
ARM, GEAR CHANGE		2 24711 -KCJ-690	ARM, GEAR CHANGE.....	1		
ROD, TIE		3 24720-KBW-900	ROD, TIE.....	1		
RUBBER, GEAR CHANGE PEDAL		4 24721 -KW1-900	COVER, CHANGE. PEDAL.....	2		
ARM ASSY., KICK STARTER		5 24781 -KR3-770	RUBBER, GEAR CHANGE PEDAL....	1		
RUBBER, KICK STARTER						
PEDAL, BRAKE		6 28241 -KCJ-690	JOINT, KICK ARM.....	1		
JOINT, KICK ARM.....	0.2	7 28293-333-000	CLIP, KICK STARTER ARM.....	1		
STOPPER, KICK ARM.....	0.3	8 28300-KCJ-690	ARM ASSY., KICK STARTER.....	1		
SWITCH ASSY., RR. STOP		9 28307-KCJ-690	STOPPER, KICK ARM.....	1		
ROD COMP., RR. BRAKE		10 28311 -KC5-000	RUBBER, KICK STARTER.....	1		
SHAFT COMP., RR. BRAKE PIVOT...	0.4					
		11 28333-KK0-000	SPRING, KICK STARTER.....	1		
		12 35350-KCJ-690	SWITCH ASSY., RR. STOP.....	1		
		13 35357-KCJ-690	SPRING, STOP SWITCH.....	1		
		14 43451-KCJ-690	ROD COMP., RR. BRAKE.....	1		
		15 46500-KCJ-690	PEDAL, BRAKE.....	1		
		16 46510-KCJ-690	SPRING ASSY., RR. BRAKE PEDAL. 1			
		17 46513-KBW-900	TUBE, BRAKE PEDAL SPRING.....	1		
		18 46515-KBW-900	SHAFT COMP., RR. BRAKE PIVOT..	1		
		19 90502-155-000	WASHER, PLAIN, 7MM.....	2		
		20 90505-116-670	WASHER, 13X20.....	1		
		21 94103-06700	WASHER, PLAIN, 6MM.....	1		
		22 94201-20150	PIN, SPLIT, 2.0X15.....	3		
		23 95014-73100	SPRING A, BRAKE ROD.....	1		
		24 95015-32001	JOINT B, BRAKE ARM.....	1		
		25 95015-42000	NUT B, BRAKE ROD ADJUSTING....	1		

F - 1 8

Peda l



Service item
Bagian yang diservis

F. R. T.

Ref.No. Part n o.
Nomor Nomor Part
Petunjuk

Description
Nama - Part

Reqd. No.
Jumlah
GL200

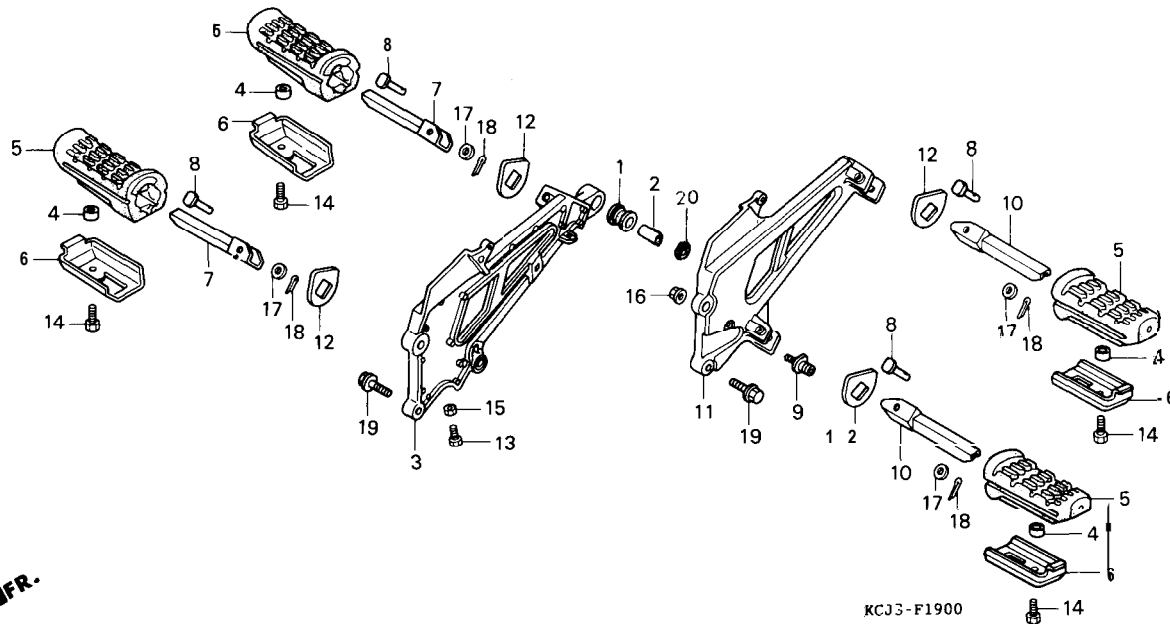
Serial No.
Nomor Serie

Notes
Catatan

269	5015-53000	PIN C, JOINT.....	1		
27	95701-06012-07	BOLT, FLANGE, 6X12	1		
28	95701-06020-07	BOLT, FLANGE, 6X20	1		
29	95701-08016-00	BOLT, FLANGE, 8X16	3		
30	95701-08050-00	BOLT, FLANGE, 8X50	1		
31	95801-08028-07	BOLT, FLANGE, 8X28	1		
32	9621 1-08000	BALL, STEEL, #8(1/4).....	1		

F - 19

Step

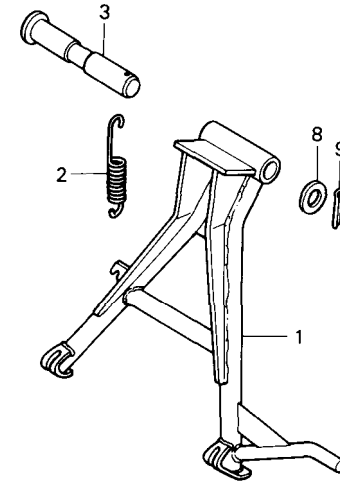
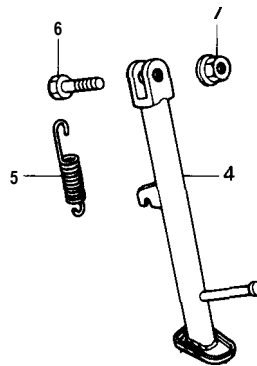


KCJ3-F1900

Service item Bagian yang diservis	F. R. T.	Ref.No. Nomor	Part No. Nomor Part	Description Nama - Part	Reqd. No. Jumlah GL 200	Serial No. Nomor Serie	Notes Catatan
RUBBER, MUFFLER MOUNTING.....	0.3	1	18421-438-670	RUBBER, MUFFLER MOUNTING.....	1		
HOLDER, R. STEP		2	18422-KCJ-690	COLLAR, MUFFLER MOUNTING.....	1		
HOLDER, L. STEP		3	50600-KCJ-690	HOLDER, R. STEP.....	1		
RUBBER, STEP.....	0.1	4	50618-KE8-000	COLLAR, 6.5X11X3.....	4		
ADD 0.1 FOR EACH. (tambahkan 0,1 untuk masing²)		5	50632-MJO-940	RUBBER, STEP.....	4		
BAR COMP., R. STEP PILLION		6	50636-KBW-900	PLATE, PILLION STEP.....	4		
		7	50638-MJO-000	BAR COMP., R. STEP PILLION....	2		
		8	50639-KCJ-690	PIN, STEP BAR JOINT.....	4		
		9	50643-KN6-910	PIVOT, CHANGE PEDAL.....	1		
		10	50648-MJO-000	BAR COMP., L. STEP PILLION....	2		
		11	50700-KCJ-690	HOLDER, L. STEP.....	1		
		12	50713-KBW-900	WASHER, STEP.....	4		
		13	90001-HA5-000	BOLT, HEX., 6X28.....	1		
		14	92101-06012-0G	BOLT, HEX., 6X12.....	4		
		15	94001-06000-0S	NUT, HEX., 6MM.....	1		
		16	94050-08080	NUT, FLANGE, 8MM.....	1		
		17	94102-08000	WASHER, PLAIN, 8MM.....	4		
		18	94201-20150	PIN, SPLIT, 2.0X15.....	4		
		19	95701-10030-00	BOLT, FLANGE, 10X30.....	2		
		20	94103-10000	WASHER, PLAIN, 10MM.....	1		

F - 20

Stand

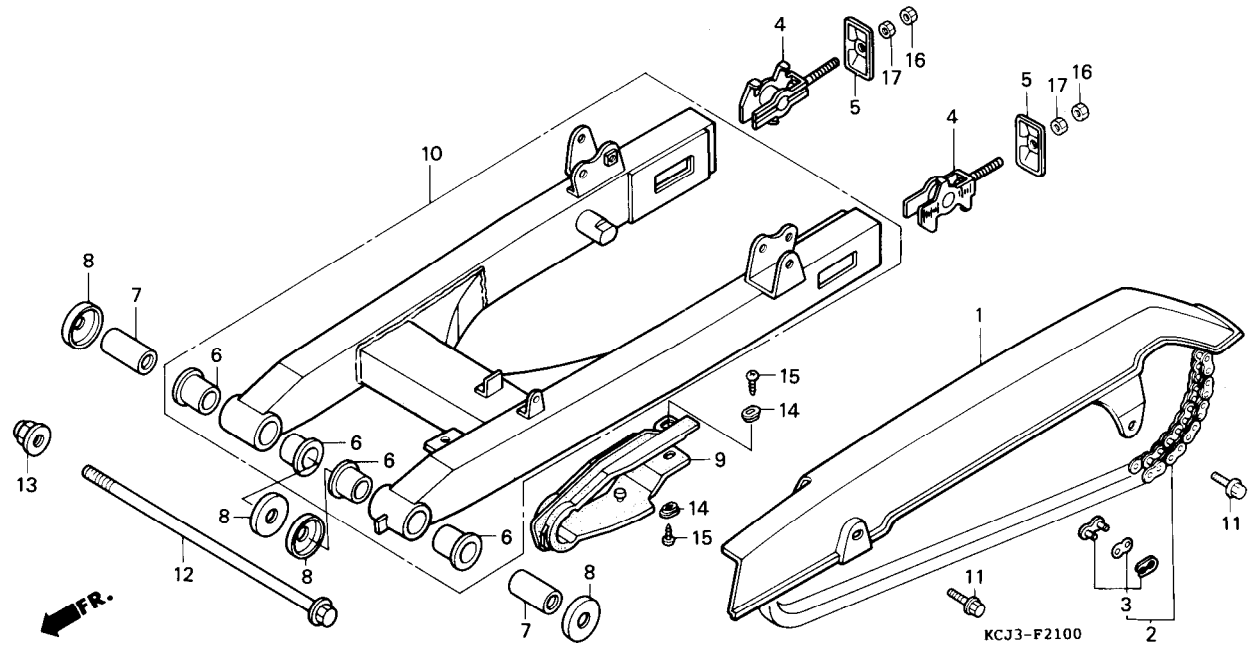


KCJ3-F2000

Service item Bagian yang diservis	F. R. T.	Ref.No. Nomor Petunjuk	Part n o. Nomor Part	Description Nama Part	Reqd. No. Jumlah GL 200	Serial No. Nomor Serie	Notes Catatan
STAND COMP., MAIN.....	0.5	1	50500-KCJ-690	STAND COMP., MAIN.....	1		
SPRING G, MAIN STAND.....	0.2	2	50510-460-840	SPRING G, MAIN STAND.....	1		
.BAR COMP., SIDE STAND		3	50526-KBW-900	SHAFT, MAIN STAND PIVOT.....	1		
SPRING A, SIDE STAND.....	0.1	4	50530-KCJ-690	BAR COMP., SIDE STAND.....	1		
		5	50543-KBW-900	SPRING A, SIDE STAND.....	1		
		6	90107-GN1-010	SCREW, SIDE STAND PIVOT.....	1		
		7	90304-GE8-003	NUT, u, 10MM.....	1		
		8	90521-028-000	WASHER, 17X22.....	1		
		9	94201-30250	PIN, SPLIT, 3.0X25.....	1		

F - 21

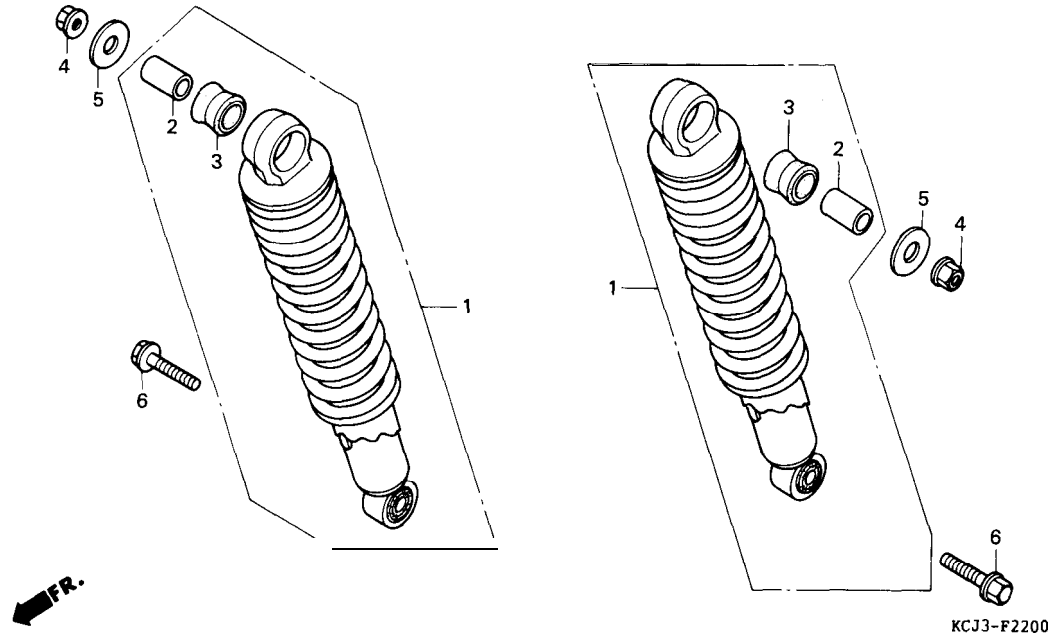
Swingarm·Chain case



Service item Bagian yang diservis	F. R. T.	Ref.No. Nomor Petunjuk	Part No. Nomor Part	Description Nama - Part	Reqd. No. Jumlah GL 200	Serial No. Nomor Serie	Notes Catatan
RSE, DRIVE CHAIN.....	0.1	1	40510-KCJ-690	CASE, DRIVE CHAIN.....	1		
HAIN, DRIVE.....	0.8	2	520-106	CHAIN, DRIVE (FSCM)	1		
SWINGARM SET, RR.		3	40531-KA4-732	JOINT, DRIVE CHAIN (DAIDO)....	1		
JSH, RR. FORK.....	1.0	4	40543-KCJ-690	ADJUSTER, CHAIN.....	2		
(ONE OR ALL- satu atau semuanya)		5	40546-KW8-900	CAP, RR. FORK END.....	2		
OLLAR, RR. FORK PIVOT.....	0.6	6	52108-356-006	BUSH, RR. FORK.....	4		
IDER, CHAIN.....	0.3	7	52141-KWI-900	COLLAR, RR. FORK PIVOT.....	2		
		8	52144-GE2-003	CAP, RR. FORK DUST SEAL (ARAI)	4		
		9	52171-KCJ-690	SLIDER, CHAIN.....	1		
		10	52200-KCJ-305ZB	FORK COMP.,RR. *NH255M*	1		
				SHIMMER SILVER METALLIC	1		
		11	90111-187-000	BOLT, FLANGE, 6MM.....	2		
		12	90121-KBW-900	BOLT, RR. FORK PIVOT.....	1		
		13	90305-GE8-003	N U T , U, 14MM.....	1		
		14	90556-044-000	WASHER, FR. FENDER SETTING....	2		
		15	93901-25220	SCREW, TAPPING, 5X12.....	2		
		16	94001-08000-03	NUT; HEX., 8MM.....	2		
		17	94030-08000	NUT, HEX., 8MM.....	2		

F-22

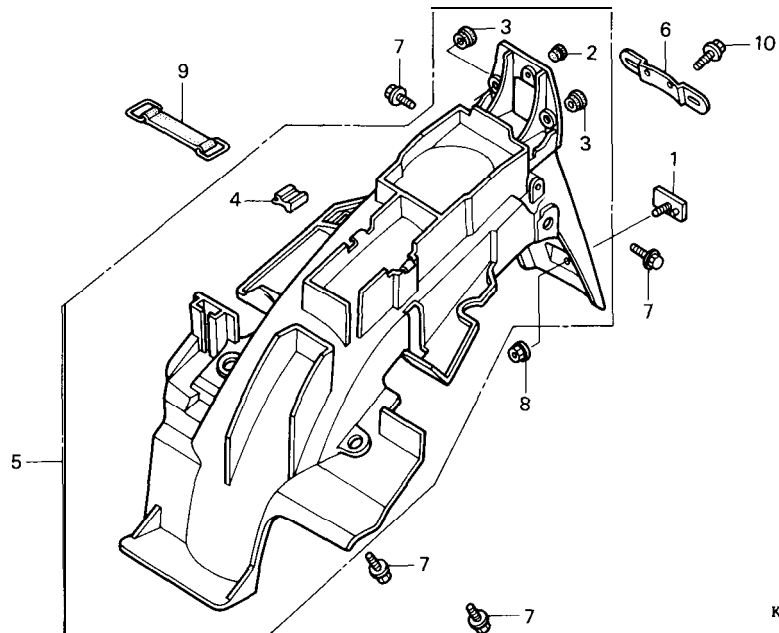
Rear cushion



Service item Bagian Yang diservis	F.H.T.	Ref.No. Nomor Petunjuk	Part No. Nomor Part	De-scription Nama Part	Read. No. Jumlah GL 200	Serial No. Nomor Serie	-Note% Catatan
CUSHION ASSY., RR..... (ADD 0.1 FOR EACH.) -tambahkan 0,1 untuk masing ²)	0.2	1	52400-KCJ-691	CUSHION ASSY., RR.....	2		
BUSH, UPPER RUBBER..... (ONE OR ALL-satu atau semuanya)	0.3	2	52486-056-000	COLLAR, RR. CUSHION RUBBER	2		
		3	52489-399-601	BUSH, UPPER RUBBER (SHOWA)....	2		
		4	94050-10000	NUT, FLANGE, 10MM.....	2		
		5	94103-10000	WASHER, PLAIN, 10MM.....	2		
		6	95801-10035-00	BOLT, FLANGE, 10X35.....	2		

F-23

Rear fender

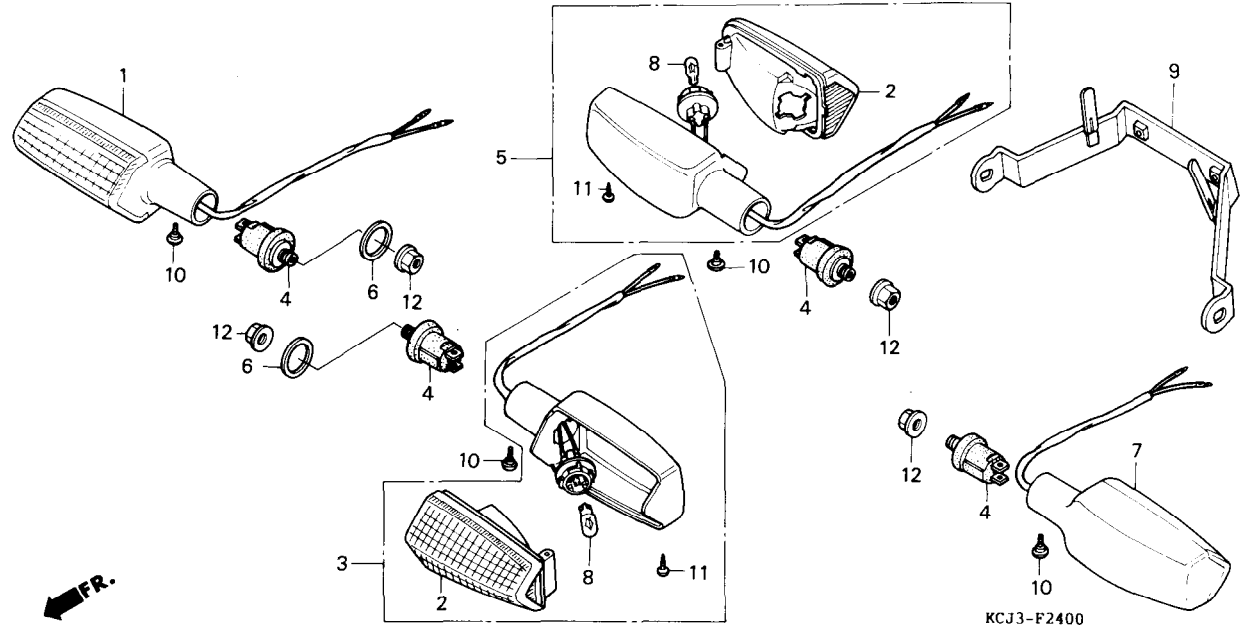


KCJ3-F2300

Service item Bagian Yang diservis	F. R. T.	Ref. No. Nomor	Part No. Nomor Part	Description Nama Part	Reqd. No. Jumlah GL 200	Serial No. Nomor Serie	Notes Catatan
ENDER COMP., RR.....	0.4	1	33741 -KG2-910	REFLECTOR, RR. REFLEX.....	1		
		2	61110-388-000	PLUG, USELESS HOLE.....	1		
		3	61313-KN6-910	RUBBER, HEADLIGHT MOUNTING....	2		
		4	77309-KK6-000	GROMMET, TOOL TRAY.....	1		
		5	801 00-KCJ -690	FENDER COMP., RR.....	1		
		6	84701 -KCJ -690	BRACKET, NUMBER PLATE.....	1		
		7	90111-187-000	BOLT, FLANGE, 6MM.....	4		
		8	94050-06000	NUT, FLANGE, 6MM.....	1		
		9	95012-11001	BAND A, BATTERY.....	1		
		10	95701-06016-07	BOLT, FLANGE, 6X16.....	2		

F - 24

Winker



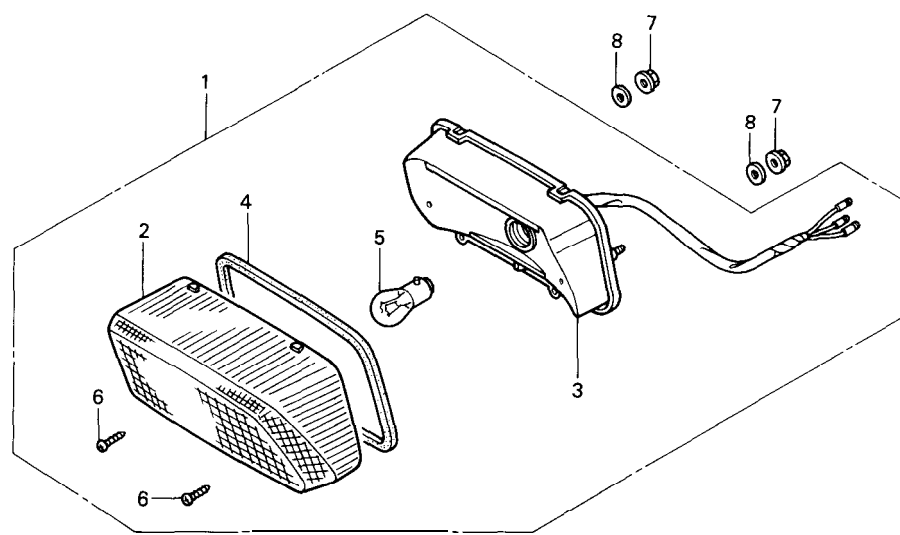
KCJ3-F2400

Service item Bagian yang diservis	F. R. T.	Ref.No. Nomor Petunjuk	Pert No. Nomor Part	Description Nama - Part	Rsqd. No. Jumlah GL 200	Serial No. Nomor Serie	Notes Catatan
WINKER ASSY., R. F R.	0.2	1	33400-KCJ-691	WINKER ASSY., R. FR.	1		
(ADD 0.1 FOR EACH. tambahkan 0,1 untuk masing ²)		2	33430-KAF-000	LENS COMP.	4		
WINKER ASSY., L. FR.		3	33450-KCJ-691	WINKER ASSY., L. FR.	1		
STAY COMP., WINKER		4	33491 -KAF-003	STAY COMP., WINKER.	4		
WINKER ASSY., R. RR.		5	33600-KCJ-691	WINKER ASSY., R. RR.	1		
(ADD 0.1 FOR EACH. - tambahkan 0,1 untuk masing ²)		6	33650-KAF-000	COLLAR, FR. WINKER.	2		
LENS COMP.	0.1	7	33650-KCJ-691	WINKER ASSY., L. RR.	1		
BULB, WINKER		8	34905-KY6-003	BULB, WINKER (12V15W)	4		
		9	50186-KBW-900	STAY, RR. WINKER.	1		
		10	90380-MB2-000	SCREW, SPECIAL, 6x8.	4		
		11	93903-34380	SCREW, TAPPING, 4x12.	4		
		12	94050-I 0000	NUT, FLANGE, 10MM.	4		

FR. →

F - 25

Tai l l i g h

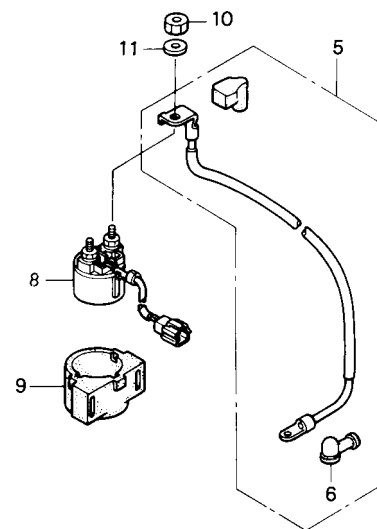
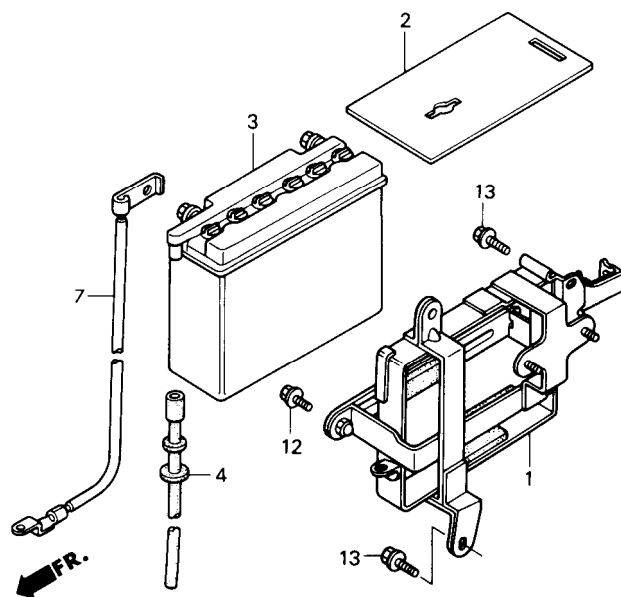


KCJ3-F2500

Service item Bagian yang diservis	F. R. T.	Ref.No. Nomor petunjuk	Part No. Nomor Part	Description Nama Part	Reqd. No. Jumlah GL 200	Serial No. Nomor Serie	Notes Catatan
TAILLIGHT UNIT.....	0.2	1	33701 -KCJ -691	TAILLIGHT UNIT.....	1		
BASE COMP., TAILLIGHT		2	33702-KCJ-691	LENS COMP., TAILLIGHT.....	1		
LENS COMP., TAILLIGHT.....	0.1	3	33703-KCJ-691	BASE COMP., TAILLIGHT.....	1		
BULB, TAILLIGHT		4	33706-KCJ -691	PACKING.....	1		
		5	34906-GB6-921	BULB, TAILLIGHT (12V18/5W)...	1		
		6	93901-24480	SCREW, TAPPING, 4X16.....	2		
		7	94050-06000	NUT, FLANGE, 6MM.....	2		
		8	94103-06000	WASHER, PLAIN, 6MM.....	2		

F - 26

Battery

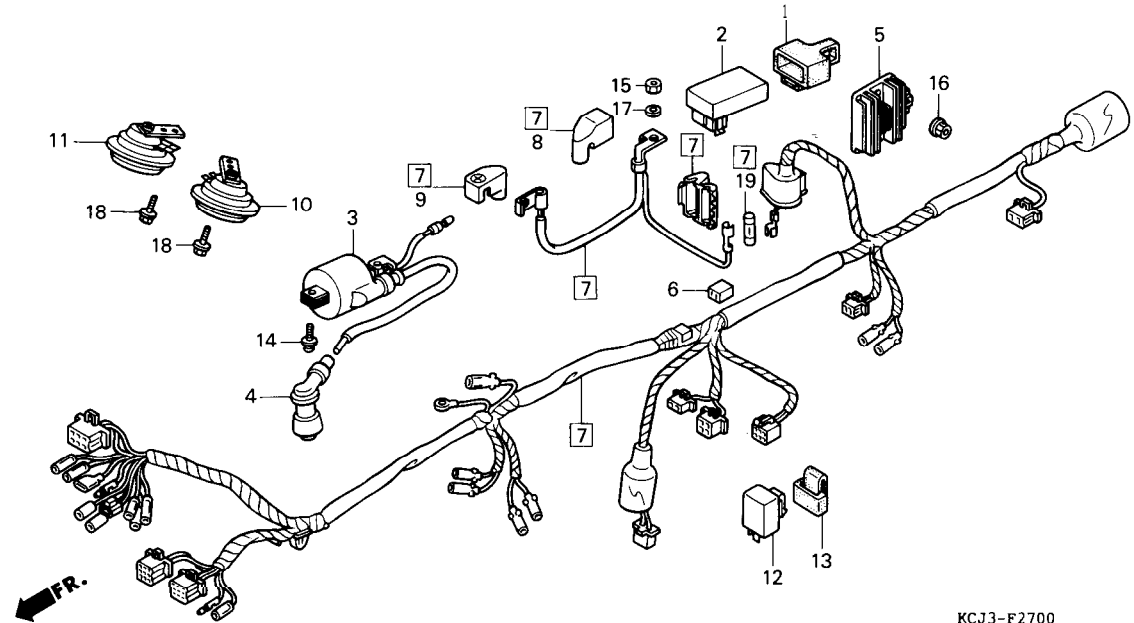


KCJ3-F2600

Service item Bagian yang diservis	F.R.T.	Ref.No. Nomor Petunjuk	Part No. Nomor Part	Description Nama-Part	Reqd. No. Jumlah GL 100	Serial No. Nomor Serie	Notes Catatan
TRAY COMP., BATTERY.....	0.2	1	17232-KCJ-690	TRAY COMP., BATTERY.....	1		
.BATTERY		2	17234-KBW-900	COVER, BATTERY.....	1		
.CABLE, STARTER MOTOR		3	—	BATTERY (12V7AH)	1		
.CABLE, BATTERY EARTH		4	31502-KCJ-690	TUBE, BATTERY BREATHER.....	1		
SWITCH ASSY., STARTER MAGNETIC.	0.3	5	32410-KCJ-690	CABLE, STARTER MOTOR.....	1		
		6	32411-253-000	COVER, STARTER MOTOR TERMINAL.	1		
		7	32601-KCJ-690	CABLE, BATTERY EARTH.....	1		
		8	35850-KCJ-690	SWITCH ASSY., STARTER MAGNETIC	1		
		9	35856-425-000	RUBBER, MAGNETIC SHOCK.....	1		
		10	94002-06080-0s	NUT, HEX., 6MM.....	1		
		11	94111-06800	WASHER, SPRING, 6MM.....	1		
		12	95701-06010-08	BOLT, FLANGE, 6X10.....	1		
		13	95701-06012-07	BOLT/FLANGE, 6X12.....	3		

F - 27

Wire harness.
Ignition coil

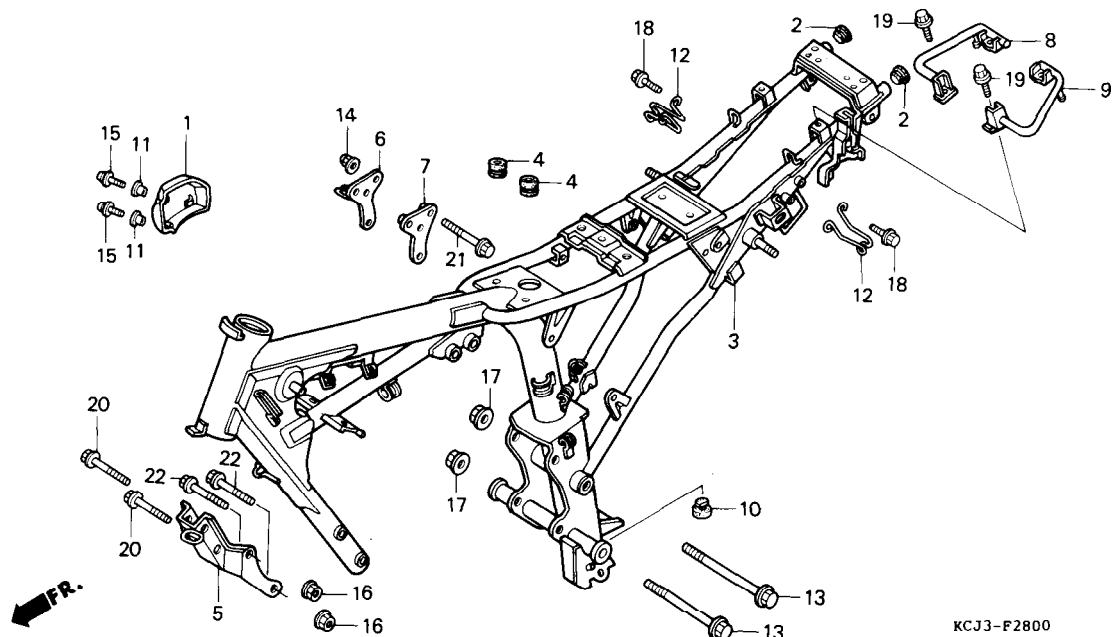


KCJ3-F2700

Service item Bagian yang diservis	F.R.T.	Ref.No. Nomor Petunjuk	Part No. Nomor Part	Description Nama - Part	Reqd. No. Jumlah GL 200	Serial No. Nomor Serie	Notes Catatan
.D.I. UNIT.....	0.4	1	30401-KCJ-690	CUSHION, C.D.I. UNIT.....	1		
COIL ASSY., IGNITION		2	30410-KBW-900	C . D . I . UNIT.....	1		
RECTIFIER ASSY., REGULATOR.....	0.6	3	30510-KCJ-690	COIL ASSY., IGNITION.....	1		
WIRE HARNESS, WIRE.....	1.0	4	30700-GN5-961	CAP ASSY., NOISE SUPPRESSOR...	1		
HORN COMP.....	0.1	5	31600-KG1-920	RECTIFIER ASSY., REGULATOR....	1		
RELAY COMP., WINKER		6	31700-124-008	RECTIFIER ASSY., SILICON (SHINDENGEN)	1		
		7	32100-KCJ-690	HARNESS, WIRE.....	1		
		8	32412-KW1-900	COVER, BATTERY TERMINAL.....	1		
		9	32416-KM3-300	COVER, MAGNETIC SWITCH TERMINAL	1		
		10	38110-KCJ-691	HORN COMP. (HIGH).....	1		
		11	38120-KCJ-691	HORN COMP.(LOW).....	1		
		12	38301-KCJ-691	RELAY COMP., WINKER.....	1		
		13	38306-KJ6-740	SUSPENSION, WINKER RELAY.....	1		
		14	93892-05020-00	SCREW-WASHER, 5X20.....	2		
		15	94002-06080-03	NUT, HEX., 6MM.....	1		
		16	94050-06080	NUT, FLANGE, 6MM.....	2		
		17	94111-06800	WASHER, SPRING, 6MM.....	1		
		18	95701-06012-00	BOLT, FLANGE, 6X12.....	2		
		19	98200-21500	FUSE B (15A).....	2		

F - 28

Frame body



KCJ3-F2800

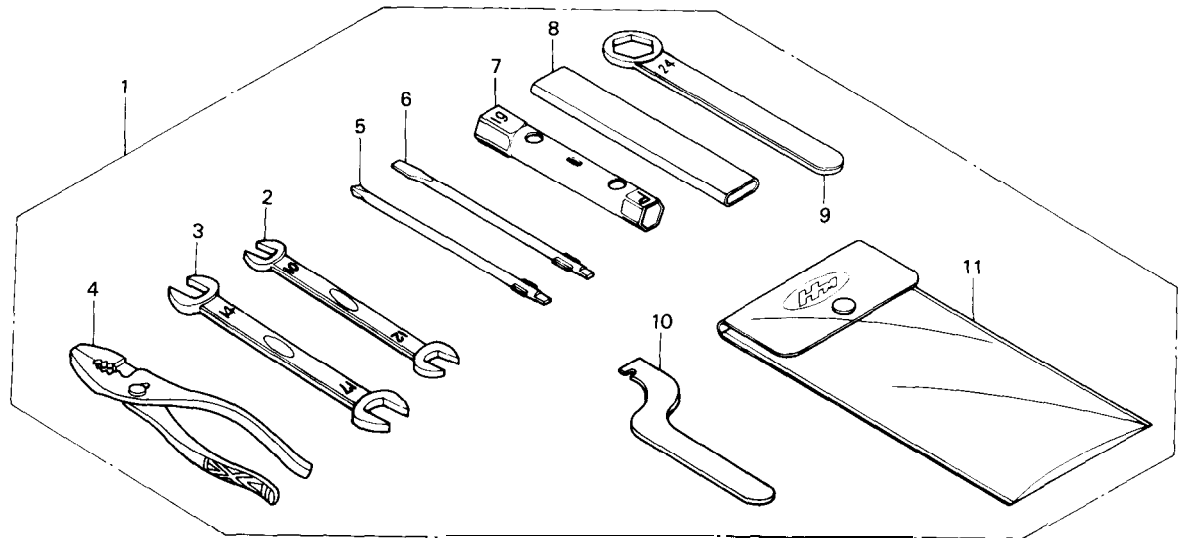
Service item Bagian yang diservis	F.R.T.	Ref.No. omor etunjuk	Part No. Nomor Part	Description Nama Part	Reqd. No. Jumlah GL 200	Serial No. Nomor Serie	Notes Catatan
COVER, CARBURETOR.....	0.1	1	16305-KBW-900ZC	COVER, CARBURETOR *NH167MU*			
BODY COMP., FRAME.....	*5.3	2	19902-865-780	IRON NAIL SILVER METALLIC-U	1		
LATE, FR. ENGINE HANGER.....	0.2	3	50100-KCJ-690	GROMMET A, SIDE COVER.....	2		
PIPE, R. RR. GRIP		4	50328-KCJ-690	BODY COMP., FRAME.....	1		
ADD 0.1 FOR EACH.		5	50351 -KWI-901	RUBBER, SEAT MOUNTING.....	2		
- tambahkan 0,1 untuk masing²)		6	50353-KCJ-690	PLATE, FR. ENGINE HANGER.....	1		
		7	50354-KBW-900	PLATE, R. ENGINE UPPER HANGER.	1		
		a	50400-KCJ-690	PLATE, L. ENGINE UPPER HANGER.	1		
		9	50410-KCJ-690	PIPE, R. RR. GRIP.....	1		
		10	50524-KBW-900	PIPE, L. RR. GRIP.....	1		
		11	61102-329-790	RUBBER, STAND STOPPER.....	1		
		12	a41 1 o-KBW-900	COLLAR, RIVETING.....	2		
		13	90019-399-010	HOOK, LUGGAGE.....	2		
		14	90443-107-000	BOLT, FLANGE, 10X110.....	2		
		15	93891-05012-07	NUT, CAP, 8MM.....	3		
		16	94050-08000	SCREW-WASHER, 5x12.....	2		
		17	94050-10000	NUT, FLANGE, 8MM.....	4		
		18	95701-06014-00	NUT, FLANGE, 10MM.....	2		
		19	95701-08016-08	BOLT, FLANGE, 6X14.....	4		
		20	95801-08055-00	BOLT, FLANGE, 8X16.....	4		
		21	95801-08060-00	BOLT, FLANGE, 8X55.....	2		
		22	95801-08085-00	BOLT, FLANGE, 8X60.....	3		
				BOLT, FLANGE, 8X85.....	2		

1993.10.01

F-28

F-29

Tools

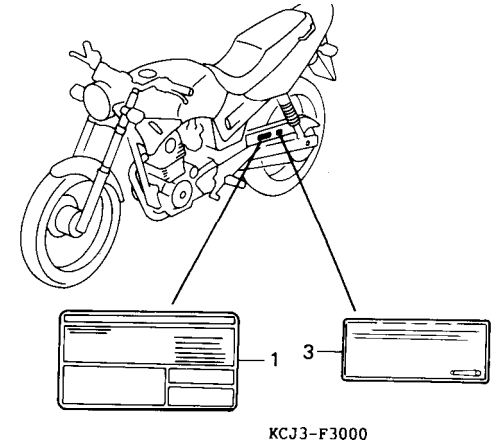
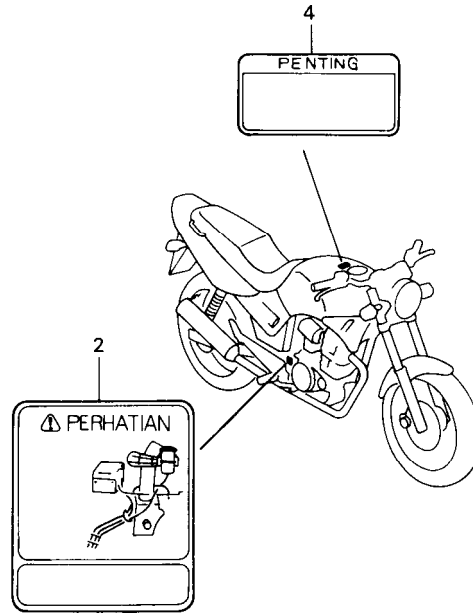


KCJ3-F2900

Service item Bagian yang diservis	F. R. T.	Ref.No. Nomor Petunjuk	Part No. Nomor Part	Description Nama - Part	Reqd. No. Jumlah GL 200	Serial No. Nomor Serie	Notes Catatan
		1	89010-KCJ-690	TOOL SET.....	1		
		2	99001-10120	SPANNER, 10X12.....	1		
		3	99001-14170	SPANNER, 14X17.....	1		
		4	99002-I 3500	PLIERS, 135.....	1		
		5	99003-I 0000	DRIVER 1, PLUS SCREW (NO.2)...	1		
		6	99003-30000	DRIVER 3, MINUS SCREW (NO.2)..	1		
		7	99004-18190	WRENCH, BOX, P18X19.....	1		
		8	99006-I 2000	HANDLE, EYE WRENCH, 120MM.....	1		
		9	99006-24000	WRENCH, EYE, 24MM.....	1		
		10	99007-45000	SPANNER, PIN.....	1		
		11	99008-01600	BAG, TOOL, 160MM.....	1		

F - 30

Caution label



Service item
Bagian Yang diservis

F. R. T.

Ref.No. Part No.
Nomor Nomor Part
Petunjuk

Description
Nama - Part

Reqd. No.
Jumlah
GL 200

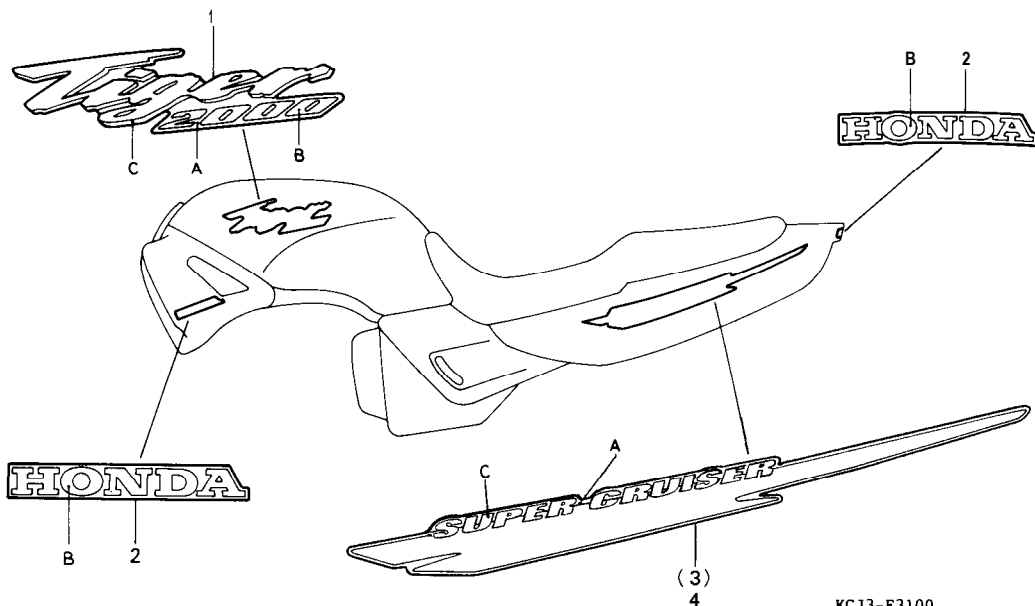
Serial No.
Nomor Serie

Notes
Catatan

1	87505-KCJ-690	LABEL, TIRE.....	1		
2	87506-KCJ-690	MARK, BATTERY CAUTION.....	1		
3	87507-KCJ-690	LABEL, DRIVE CHAIN.....	1		
4	87560-KC5-920ZA	MARK, DRIVE CAUTION *TYPEW*...	1		

F - 3 1

Mark

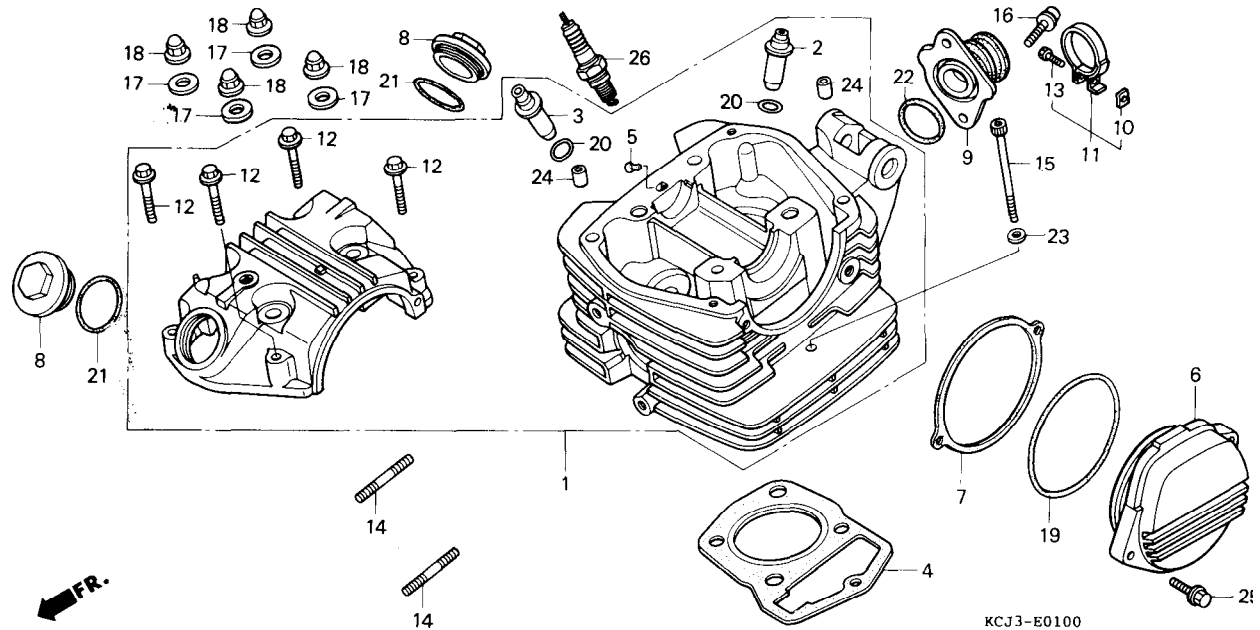


KCJ3-F3100

Service item Bagian yang diservis	F.R.T.	Ref.No. Part n o. Nomor Nomor Part Petunjuk	Description Nama - Part	Reqd. No. Jumlah GL 200	Serial No. Nomor Serie	Notes Catatan
		117513-KCJ-690ZA MARK, FUEL TANK *TYPE1*		2		
		17513-KCJ-690ZB MARK, FUEL TANK *TYPE2*		2		
		17513-KCJ-690ZC MARK, FUEL TANK *TYPE3*		2		
		17513-KCJ-690ZD MARK, FUEL TANK *TYPE4*		2		
		17513-KCJ-690ZE MARK, FUEL TANK *TYPE5*		2		
		17513-KCJ-690ZF MARK, FUEL TANK *TYPE6*		2		
		2 50261 -KCJ -690 MARK, HONDA		3		
		3 77228-KCJ-691ZD STRIPE, R. RR. COWL SIDE				
			TYPE1	1		
		77228-KCJ-691ZE STRIPE, R. RR. COWL SIDE				
			TYPE2	1		
		77228-KCJ-691ZF STRIPE, R. RR. COWL SIDE				
			TYPE3	1		
		77228-KCJ-691ZG STRIPE, R. RR. COWL SIDE				
			TYPE4	1		
		77228-KCJ-691ZH STRIPE, R. RR. COWL SIDE				
			TYPE5	1		
		77228-KCJ-691ZJ STRIPE, R. RR. COWL SIDE				
			TYPE6	1		
		4 77229-KCJ-691ZA STRIPE, L. RR. COWL SIDE				
			TYPE1	1		
		77229-KCJ-691ZB STRIPE, L. RR. COWL SIDE				
			TYPE2	1		
		77229-KCJ-691ZC STRIPE, L. RR. COWL SIDE				
			TYPE3	1		
		77229-KCJ-691ZD STRIPE, L. RR. COWL SIDE				
			TYPE4	1		
		77229-KCJ-691ZE STRIPE, L. RR. COWL SIDE				
			TYPE5	1		
		1993.10.01	E	F-31		

E - 1

Cylinder head

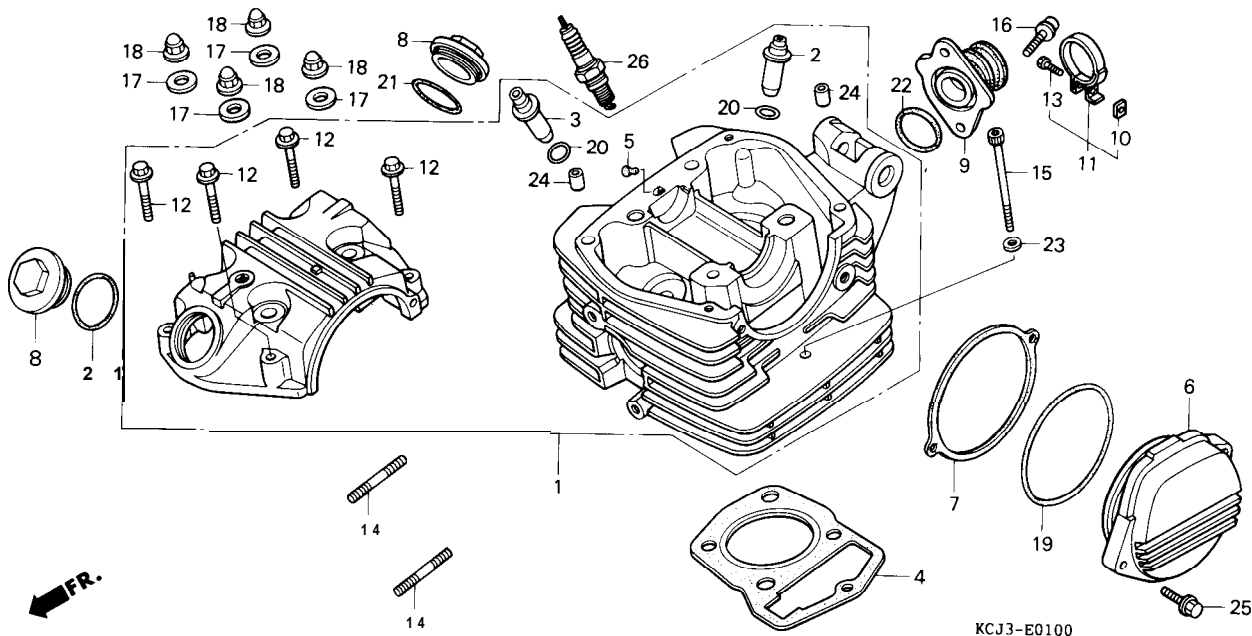


KCJ3-E0100

Service item Bagian yang diservis	F. R. T.	Ref.No. Nomor Petunjuk	Part No. Nomor Part	Description Nama - Part	Reqd. No. Jumlah GL 200	Serial No. Nomor Serie	Notes. Catatan
HEAD ASSY., CYLINDER.....	*4.0	1	12000-KCN-000	HEAD ASSY., CYLINDER.....	1		
GUIDE, VALVE.....	*3.8	2	12204-439-305	GUIDE, IN. VALVE.....	1		
(Inc. REAMING - termasuk reaming)		3	12206-KCN-305	GUIDE, EX. VALVE.....	1		
ADD 0.3 FOR EACH. tambahkan 0,3 untuk masing ²)		4	12251 -KCN-003	GASKET, CYLINDER HEAD.....	1		
ADD 0.7 FOR EACH. tambahkan 0,7 untuk masing ²)		5	12271-383-000	RUBBER, OIL SEAL.....	1		
ADD MORE 0.2 IF PERFORMED. tambahkan 0,2 lagi jika dilaksanakan)		6	12331-KCJ-710	COVER, L. C YLINDER HEAD.....	1		
GASKET, CYLINDER HEAD.....	*2.8	7	12339-KCJ-710	GASKET, PULSE GENERATOR BASE . .	1		
COVER, L. CYLINDER HEAD.....	0.2	8	12361-383-000	CAP, TAPPET ADJUSTING HOLE . . .	2		
INSULATOR, CARBURETOR.....	0.3	9	16210-KCJ-710	INSULATOR, CARBURETOR	1		
BOLT STUD, 7X29 ADD 0.1 FOR EACH. tambahkan 0,1 untuk masing ²)	0.1	10	16222-MV4-300	NUT, SQUARE, 5MM.....	1		
LUG, SPARK.....		11	16223-KS5-000	BAND, INSULATOR	1		
		12	90001 -GHB-700	BOLT, FLANGE, 6X35.....	4		
		13	90023-MM5-000	BOLT, RECESSED, 5x28.....	1		
		14	90041 -KBB-900	BOLT, STUD, 7X29.....	2		
		15	90081 -KBB-900	BOLT, SOCKET, 6X118.....	1		
		16	90091 -MM5-640	BOLT, SOCKET, 6X22.....	2		
		17	90442-028-000	WASHER, SEALING, 8MM.....	4		
		18	90443-107-000	NUT, CAP, 8MM.....	4		
		19	91301-1 07-000	O-RING, 75X2.5	1		
		20	91301-200-000	O-RING, 10X1.6	2		
		21	91303-KK3-830	O-RING, 35x3	2		
		22	91304-HB3-003	O-RING, 33.5X3.0	1		
		23	94101-06000	W A S H E R, P L A I N, 6 M M	1		
		24	94301-08140	P I N, D O W E L, 8 X 1 4	2		
		25	96001-06022-00	BOLT, FLANGE, 4X22.....	2		
			1993.10.01				

E - 1

Cylinder head



Service i tern
Bagian yang diservis

F. R. T.

Ref.No. Part No.
Nomor Nomor Part
Petunjuk

Description
Nama - Part

Reqd. No.
Jumlah
GL 200

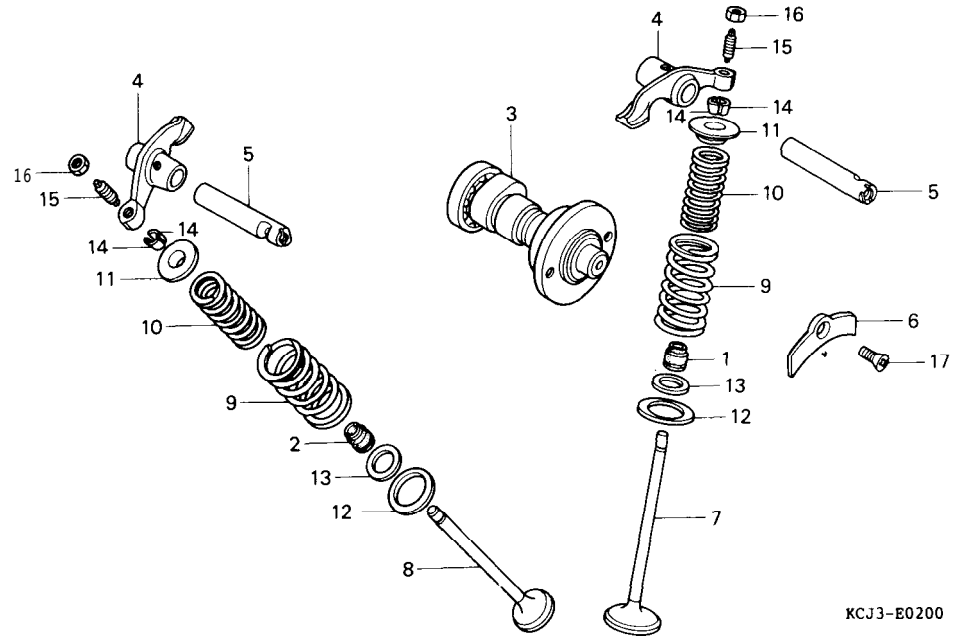
Serial No.
Nomor Serie

Notes
Catatan

26		PLUG, SPARK (DP8EA-9NGK)..... 1
98069-58921		PLUG, SPARK (X24EP-U9 ND)..... 1

E - 2

Camshaft-Valve

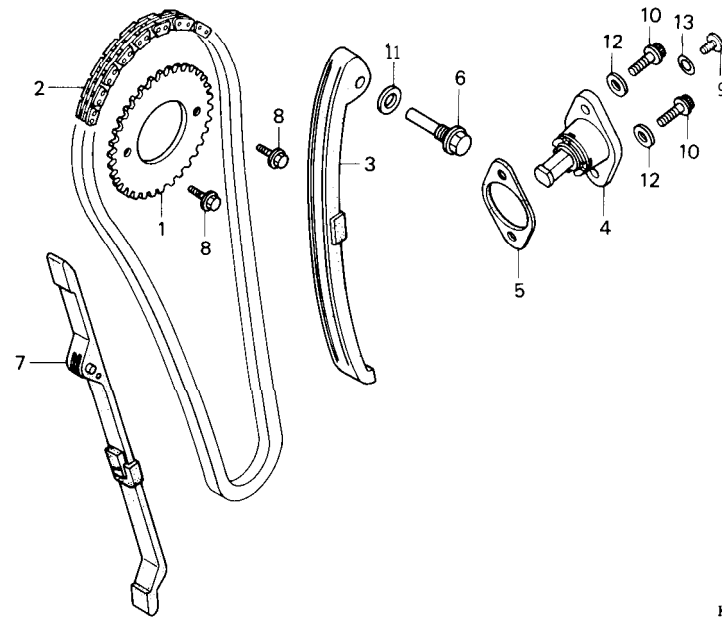


KCJ3-E0200

Service item Bagian yang diservis	F. R. T.	Ref.No. Nomor Petunjuk	Part No. Nomor Part	Description Nama Parr	Reqd. No. Jumlah GL 200	Serial No. Nomor Serie	Notes Catatan
CAMSHAFT COMP.....	*2.8	1	12209-KL4-005	SEAL, VALVE STEM.....	1		
ARM, VALVE ROCKER.....	*2.4	2	12209-428-003	SEAL, VALVE STEM (ARAI).....	1		
(ADD 0.1 FOR EACH. tambahkan 0,1 untuk masing ²)		3	14100-KCJ-710	CAMSHAFT COMP.....	1		
VALVE.....	*3.6	4	14431-383-000	ARM, VALVE ROCKER.....	2		
(ADD 0.2 FOR EACH. tambahkan 0,2 untuk masing ²)		5	14451-437-000	SHAFT, VALVE ROCKER ARM.....	2		
(INC. REFACING - termasuk skur klep) (EXC. VALVE GUIDE REPLACEMENT, kecuali penggantian valve guide)		6	14456-KG2-950	PLATE, VALVE ROCKER ARM SHAFT SETTING	1		
SPRING, VALVE INNER.....	*3.4	7	14711-KBB-900	VALVE, IN.....	1		
(ADD 0.1 FOR EACH. tambahkan 0,1 untuk masing ²)		8	14721-KBB-900	VALVE, EX.....	1		
(INC. RELATIVE PART termasuk part yang berhubungan)		9	14751-383-005	SPRING, VALVE OUTER (NIPPON)..	2		
		10	14761-383-005	SPRING, VALVE INNER (NIPPON)..	2		
		11	14771-107-020	RETAINER, VALVE SPRING.....	2		
		12	14775-107-000	SEAT, VALVE SPRING OUTER.....	2		
		13	14776-107-010	SEAT, VALVE SPRING INNER.....	2		
		14	14781-MB4-000	COTTER, VALVE.....	4		
		15	90012-KN6-930	SCREW, TAPPET ADJUSTING.....	2		
		16	90206-250-000	NUT, TAPPET ADJUSTING.....	2		
		17	93600-06016-0A	SCREW, FLAT, 6X16.....	1		

E - 3

Cam chain • Tensioner

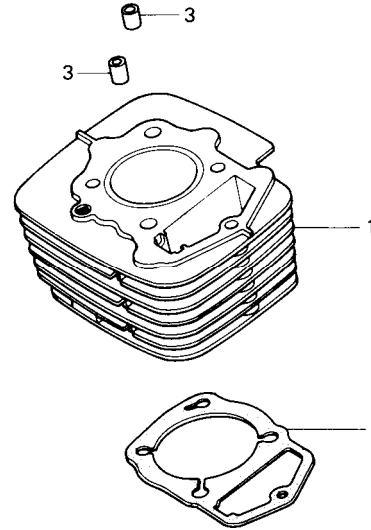


KCJ3-E0300

Service item Bagi yang diservis	F.R.T.	Ref.No. Nomor Petunjuk	Part No. Nomor Part	Description Nama-Part	Reqd. No. Jumlah GL 200	Serial No. Nomor Serie	Notes Catatan
SPROCKET, CAM.....	. 0.7	1	14321-KN6-930	SPROCKET, CAM (34T).....			
CHAIN, CAM.....	. 1.6	2	14401-KBB-901	CHAIN, CAM (102L).....	1		
TENSIONER, CAM CHAIN.....	. 1.7	3	14500-KBB-900	TENSIONER, CAM CHAIN.....	1		
LIFTER ASSY., TENSIONER....	Ø . 4	4	14520-KY7-000	LIFTER ASSY., TENSIONER.....	1		
GASKET, TENSIONER LIFTER		5	14523-KBB-901	GASKET, TENSIONER LIFTER.....	1		
GUIDE, CAM CHAIN.....	. *2.8	7	14550-KCJ-710	GUIDE, CAM CHAIN.....			
		6	14535-437-000	BOLT, CAM CHAIN TENSIONER PIVOT	1		
		8	90002-KW1-900	BOLT, FLANGE, 6X10.....			
		9	90005-KY7-000	SCREW, PAN, 6 X 6.....	1		
		10	90071-MG8-000	BOLT, FLANGE SOCKET, 6X16.....	2		
		11	90475-703-000	WASHER C, 8MM.....	1		
		12	90488-425-000	WASHER, SEALING, 6MM.....	2		
		13	91306-MG3-000	O-RING, 1.5 X 9.5.....	1		

E - 4

Cylinder

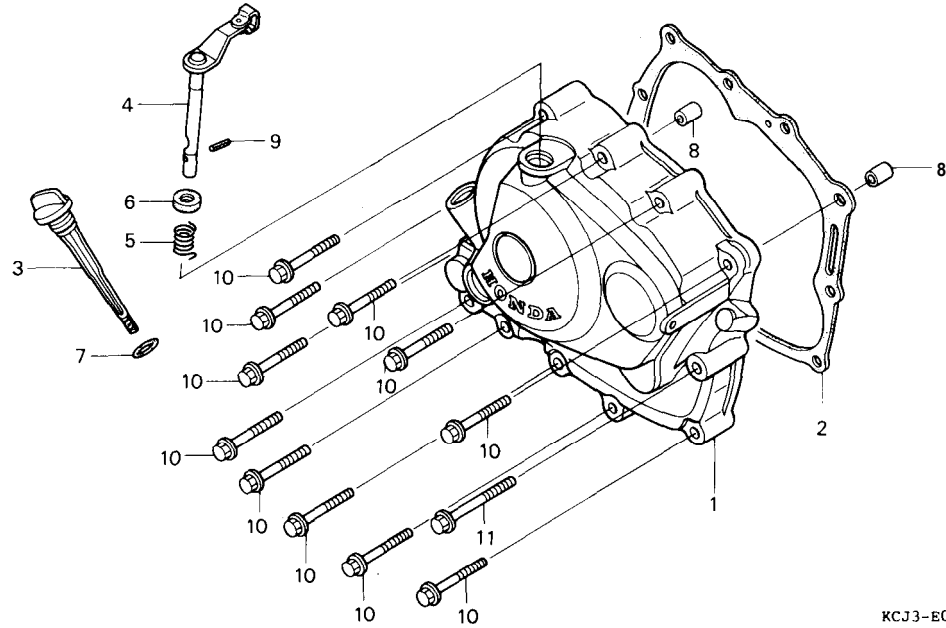


KCJ3-E0400

Service item Bagian yang diservis	F. R. T.	Ref.No. Nomor Petunjuk	Part No. Nomor Part	Description Nama Part	Reqd. No. Jumlah GL 200	Serial No. Nomor Serie	Notes Catatan
CYLINDER COMP.....*3.1		1	121 00-KCN-000	CYLINDER COMP.....1			
GASKET, CYLINDER..... m3.0		2	12191-437-020	GASKET, CYLINDER..... 1			
		3	94301-10200	PIN A, DOWEL, 10X20..... 2			

E - 5

Right crankcase cover

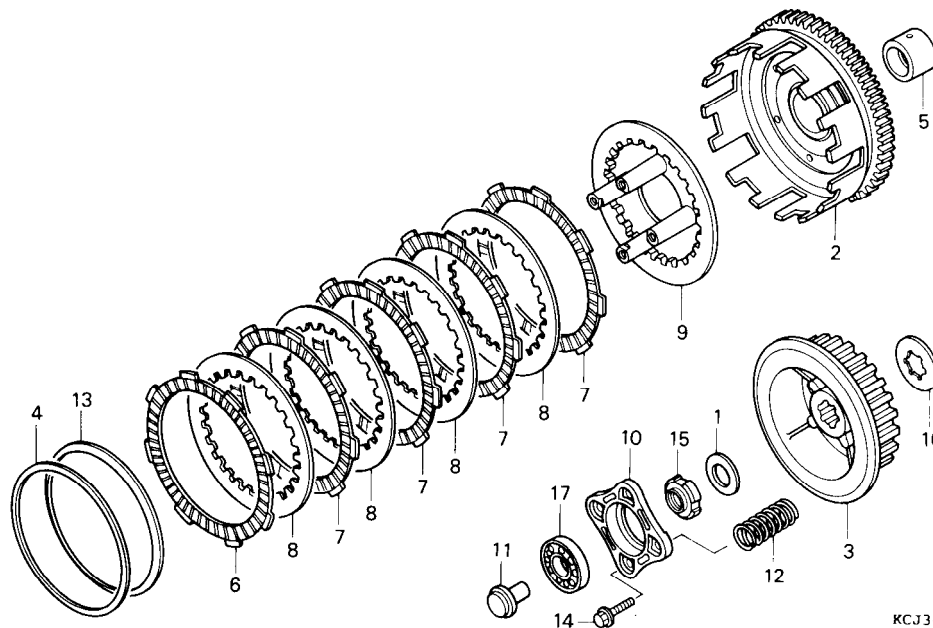


KCJ3-E0500

Service Item Bagian yang diservis	F. R. T.	Ref.No. Nomor Petunjuk	Part No. Nomor Part	Description Nama - Part	Reqd. No. Jumlah GL 200	Serial No. Nomor Serie	Notes Catatan
COVER COMP., R. CRANKCASE.....	0.8	1	11330-KCJ-710	COVER COMP., R. CRANKCASE.....	1		
GASKET, R. COVER.....	0.7	2	11393-KCJ-710	GASKET, R. COVER.....	1		
GAUGE, OIL LEVEL.....		3	15650-KCN-000	GAUGE, OIL LEVEL.....	1		
LEVER COMP., CLUTCH		4	22810-KBB-900	LEVER COMP., CLUTCH.....	1		
OIL SEAL, 12X22X5		5	22815-428-000	SPRING, CLUTCH LEVER.....	1		
		6	91201-148-003	OIL SEAL, 12X22X5 (ARAI).....	1		
		7	91307-035-000	O-RING, 18X3.....	1		
		8	94301-08140	PIN, DOWEL, 8X14.....	2		
		9	94305-30102	PIN, SPRING, 3X10.....	1		
		10	96001-06040-00	BOLT, FLANGE, 6X40.....	11		
		11	96001-06050-00	BOLT, FLANGE, 6X50.....	1		

E - 6

Clutch



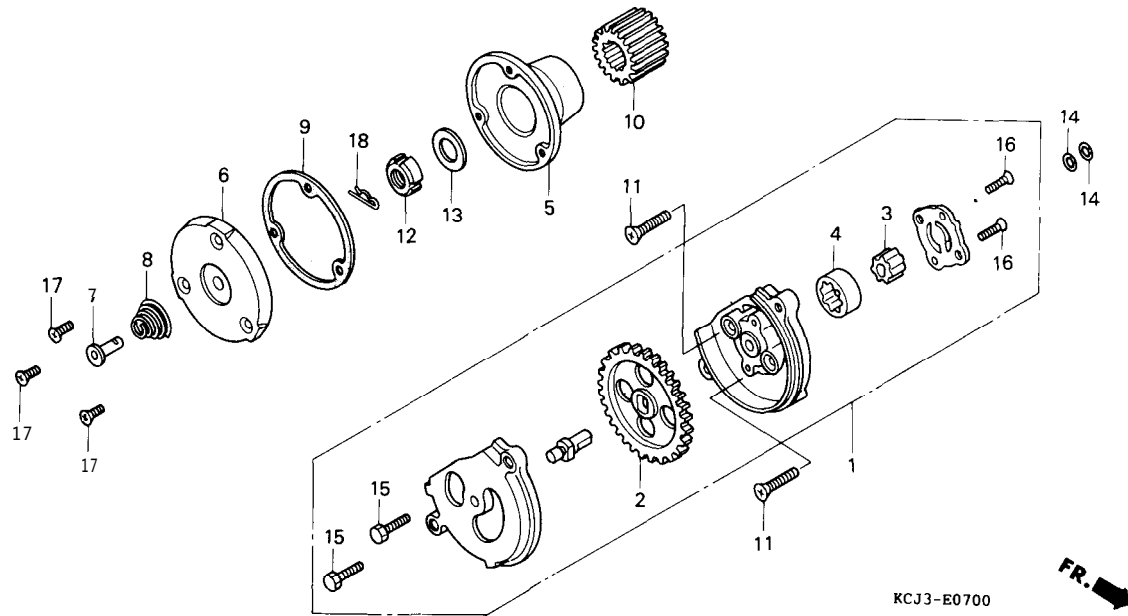
KCJ3-E0600



Service item Bagian yang diservis	F. R. T.	Ref.No. Nomor Petunjuk	Part No. Nomor Part	Description Nama - Part	Reqd. No. Jumlah GL 200	Serial No. Nomor Serie	Notes Catatan
OUTER COMP., CLUTCH.....	1.1	1	15451-107-000	WASHER, OIL FILTER ROTOR LOCKING	1		
.CENTER COMP., CLUTCH		2	22100-KCN-000	OUTER COMP., CLUTCH	1		
.DISK, CLUTCH FRICTION (ONE OR ALL - satu atau semuanya)		3	22121-KCS-650	CENTER COMP., CLUTCH	1		
(INC. RELATIVE PART - termasuk part yang berhubungan)		4	22125-KW7-900	SEAT, JUDDER SPRING	1		
.PLATE, CLUTCH PRESSURE		5	22131-KCN-000	GUIDE, CLUTCH OUTER	1		
ROD, CLUTCH LIFTER.....	0.7	6	22201-MJ8-000	DISK, CLUTCH FRICTION	1		
SPRING, CLUTCH.....	0.8	7	22201-166-000	DISK, CLUTCH FRICTION	4		
(ONE OR ALL- satu atau semuanya)		8	22311-62040H	PLATE, CLUTCH	4		
		9	22350-107-010	PLATE, CLUTCH PRESSURE	1		
		10	22361-437-000	PLATE, CLUTCH LIFTER.....	1		
		11	22366-KCJ-710	ROD, CLUTCH LIFTER	1		
		12	22401-KCJ-710	SPRING, CLUTCH	4		
		13	22402-KW7-900	SPRING, JUDDER	1		
		14	90050-357-000	BOLT, SPECIAL FLANGE, 6X22	4		
		15	90231-KB5-720	NUT, LOCK, 16MM	1		
		16	90461-107-000	WASHER B, SPLINE, 20MM	1		
		17	91008-KK6-000	BEARING, RADIAL BALL, 16003 ...	1		

E-7

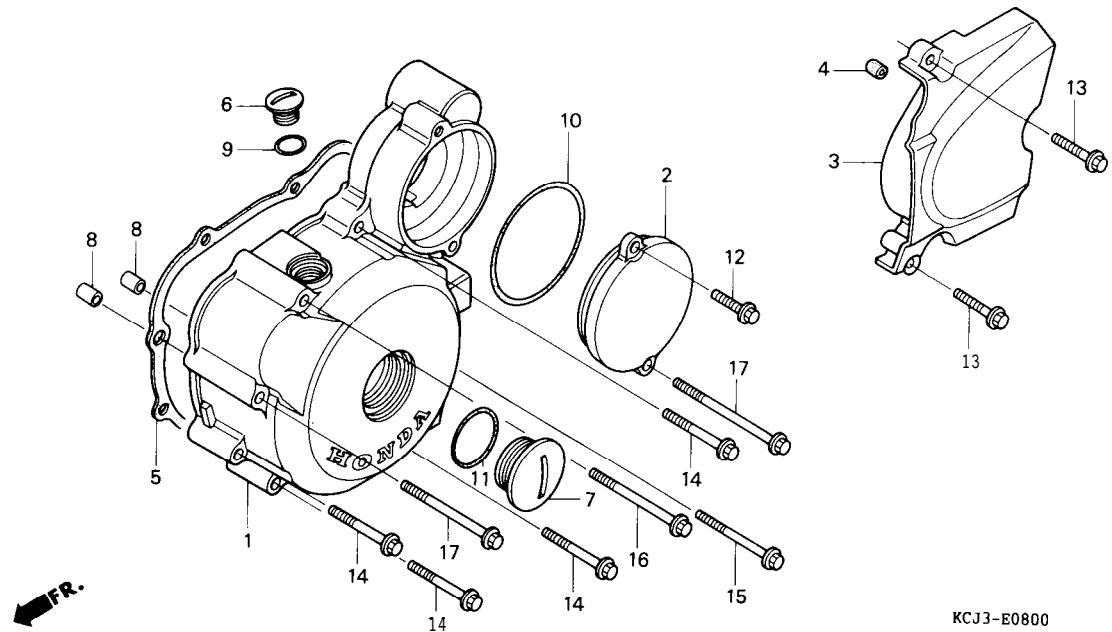
Oil pump



Service item Bagi yang diservis	F.R.T.	Ref.No. Nomor Petunjuk	Part No. Nomor Part	Description Nama-Part	Serial No. Nomor Serie	Notes Catatan
UMP ASSY., OIL.....	0.9	1	15100-KCN-000	PUMP ASSY., OIL.....	1	
ROTOR COMP., OIL FILTER		2	15131-KBB-900	GEAR, OIL PUMP DRIVE (34T)....	1	
EAR, OIL PUMP DRIVE.....	0.8	3	15331-399-000	ROTOR, OIL PUMP INNER (YAMADA)	1	
CAP, OIL FILTER ROTOR		4	15332-399-000	ROTOR, OIL PUMP OUTER (YAMADA)	1	
EAR, PRIMARY DRIVE.....	1.1	5	15430-440-030	ROTOR COMP., OIL FILTER.....	1	
		6	15436-107-000	CAP, OIL FILTER ROTOR.....	1	
		7	15441-KCS-650	THROUGH, OIL.....	1	
		8	15446-107-000	SPRING, OIL THROUGH.....	1	
		9	15459-107-000	GASKET, OIL FILTER ROTOR CAP..	1	
		10	23121-KCN-000	GEAR, PRIMARY DRIVE (22T)....	1	
		11	90101-440-000	SCREW, FLAT, 6X30.....	2	
		12	90231-KCS-651	NUT, LOCK, 16MM.....	1	
		13	90434-KN6-930	WASHER, 16MM.....	1	
		14	91304-KK3-830	O-RING, 9.4X2.4.....	2	
		15	92101-05020-0A	BOLT, HEX., 5X20.....	2	
		16	93600-04012-0A	SCREW, FLAT, 4X12.....	2	
		17	93700-05012-0A	SCREW, OVAL, 5X12.....	3	
		18	94251-08000	PIN, LOCK, 8MM.....	1	

E - 8

Left crankcase cover

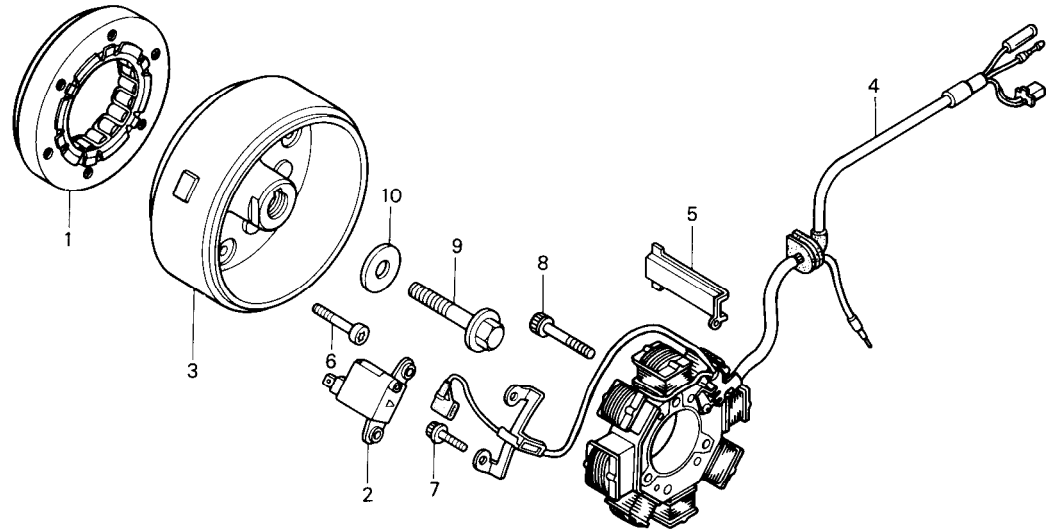


KCJ3-E0800

Service item Bagian yang diservis	F. R. T.	Ref.No. Nomor Petunjuk	Part No. Nomor Part	Description Nama - Part	Reqd. No. Jumlah GL 200	Serial No. Nomor Serie	Notes Catatan
OVER, L. CRANKCASE.....	0.9	1	11341-KCJ-710	COVER, L. CRANKCASE.....	1		
OVER, REDUCTION GEAR.....	0.2	2	11355-KCN-000	COVER, REDUCTION GEAR.....	1		
OVER, L. RR. CRANKCASE.....	0.1	3	11361-KCJ-710	COVER, L. RR. CRANKCASE.....	1		
ASKET, L. COVER.....	0.6	4	11363-437-620	RUBBER, RR. COVER MOUNTING....	1		
		5	11395-KCJ-710	GASKET, L. COVER.....	1		
		6	90084-KCJ-710	CAP, A.C. GENERATOR.....	1		
		7	90087-KCJ-710	C A P, 30MM.....	1		
		8	90703-HC4-000	PIN, DOWEL, 10X14.....	2		
		9	91303-377-000	O-RING, 13.8X2.5.....	1		
		10	91304-MN5-003	O-RING, 63X3 (ARAI).....	1		
		11	91356-425-003	O-RING, 29.7X2.4 (NOK).....	1		
		12	96001-06020-00	BOLT, FLANGE, 6X20.....	1		
		13	96001-06025-00	BOLT, FLANGE, 6X25.....	2		
		14	96001-06040-00	BOLT, FLANGE, 6X40.....	4		
		15	96001-06050-00	BOLT, FLANGE, 6X50.....	1		
		16	96001-06060-00	BOLT, FLANGE, 6X60.....	1		
		17	96001-06070-00	BOLT, FLANGE, 6X70.....	2		

E - 9

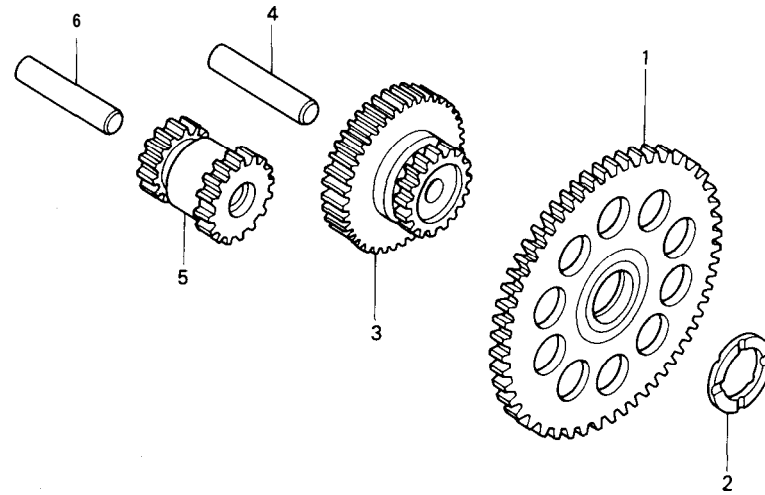
Generator



KCJ3-E0900

Service item Bagian yang diservis	F. R. T.	Ref.No. Uomor Petunjuk	Part No. Nomor Part	Description Nama - Part	Reqd. No. Jumlah GL 200	Serial No. Nomor Serie	Notes Catatan
CLUTCH COMP., STARTING ONE WAY. 1.0		1	28125-KW3-006	CLUTCH COMP., STARTING ONE WAY	1		
FLYWHEEL COMP.		2	30300-HA0-033	IGNITION PULSE GENERATOR COMP. (TEC)	1		
IGNITION PULSE GENERATOR COMP.. 0.8		3	31110-KCJ-711	FLYWHEEL COMP.....	1		
STATOR COMP..... 0.9		4	31120-KCJ-711	STATOR COMP.....	1		
		5	32975KCN-000	GUIDE, A.C. GENERATOR CORD....	1		
		6	90085-413-781	BOLT, SOCKET, 6MM.....	6		
		7	90089-KAS-900	BOLT, FLANGE SOCKET, 5X14..	2		
		8	90092-KE5-000	BOLT, STOPPER TENSIONER SHAFT.	3		
		9	90163-HA8-000	BOLT, UBS, 10X48.....	1		
		10	90403-KN6-930	WASHER, 10X24.....	1		

FR. 



KCJ3-E1000

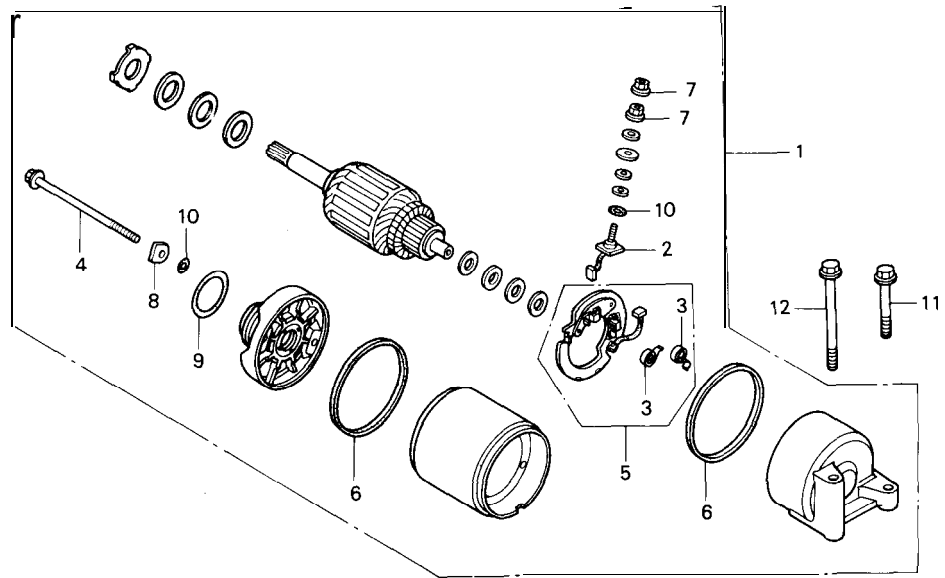
E - 1 0

Starting gear

Service item Bagian yang diservis	F. R. T.	Ref.No. Nomor Petunjuk	Part No. Nomor Part	Description Nama - Part	Reqd. No. Jumlah GL 200	Serial No. Nomor Serie	Notes Catatan
EAR COMP., STARTING DRIVEN....	0.8	1	281 10-KCN-000	GEAR COMP., STARTING DRIVEN...	1		
EAR, REDUCTION.....	0.3	2	28114-KN6-930	COLLAR, STARTING DRIVEN GEAR..	1		
EAR, IDLE.....	0.7	3	28130-KCN-000	GEAR, REDUCTION (61T/17T).....	1		
		4	28132-KN6-930	SHAFT, REDUCTION GEAR.....	1		
		5	28140-KCN-000	GEAR, IDLE (15T/16T).....	1		
		6	28142-KW1-900	SHAFT, IDLE GEAR.....	1		

E-11

Starting motor

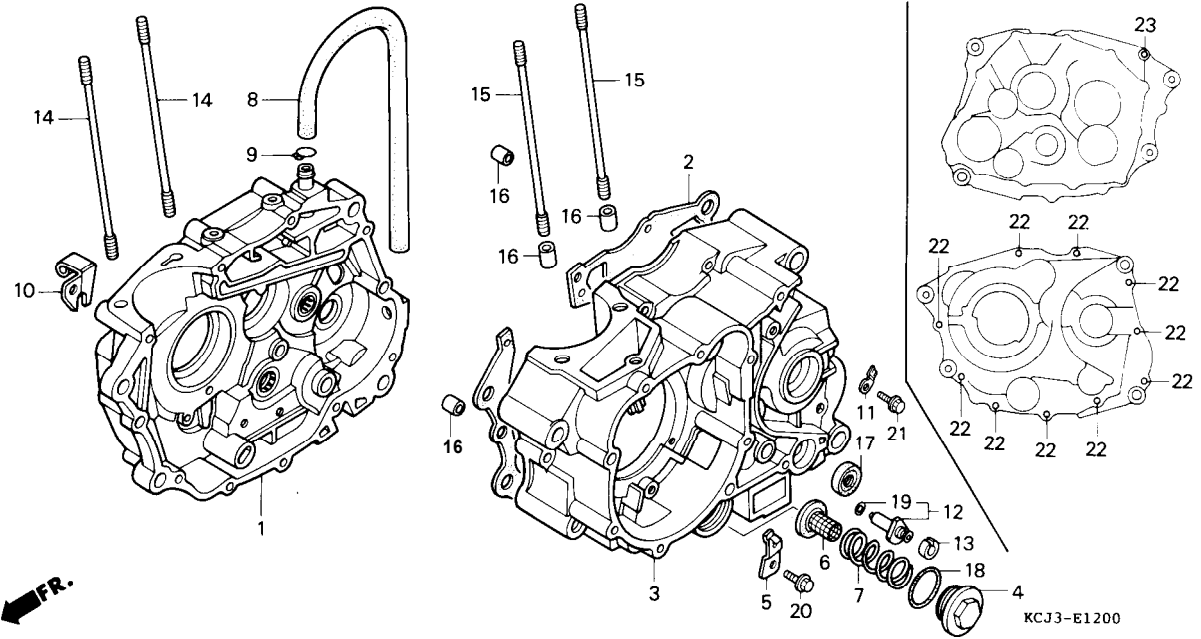


KCJ3-E1100

Service item Bagian yang diservis	F. R. T.	Ref.No. Nomor Petunjuk	Part No. Nomor Part	Description Nama - Part	Req. No. Jumlah GL 200	Serial No. Nomor Serie	Notes Catatan
OTOR ASSY., STARTING.....	0.3	1	31200-KCN-003	MOTOR ASSY., STARTING (MITSUBA)	1		
R U S H S E T, T E R M I N A L.....	0.5	2	31201-KS5-901	BRUSH SET, TERMINAL.....	1		
HOLDER SET, BRUSH		3	31204-KS5-901	SPRING, CARBON BRUSH.....	2		
		4	31205-MN4-008	BOLT, SETTING.....	2		
		5	31206-KW1-901	HOLDER SET, BRUSH.....	1		
		6	31207-KS5-901	RING.....	2		
		7	90071-MB0-000	NUT-WASHER, 6MM.....	2		
		8	90122-MN4-008	WASHER, STEEL PLATE.....	2		
		9	91309-425-003	O-RING, 24.4x3.1 (ARAI).....	1		
		10	91320-MB0-000	O-RING.....	3		
		11	95801-06035-00	BOLT, FLANGE, 6X35.....	1		
		12	95801-06060-00	BOLT, FLANGE, 6X60.....	1		

E - 1 2

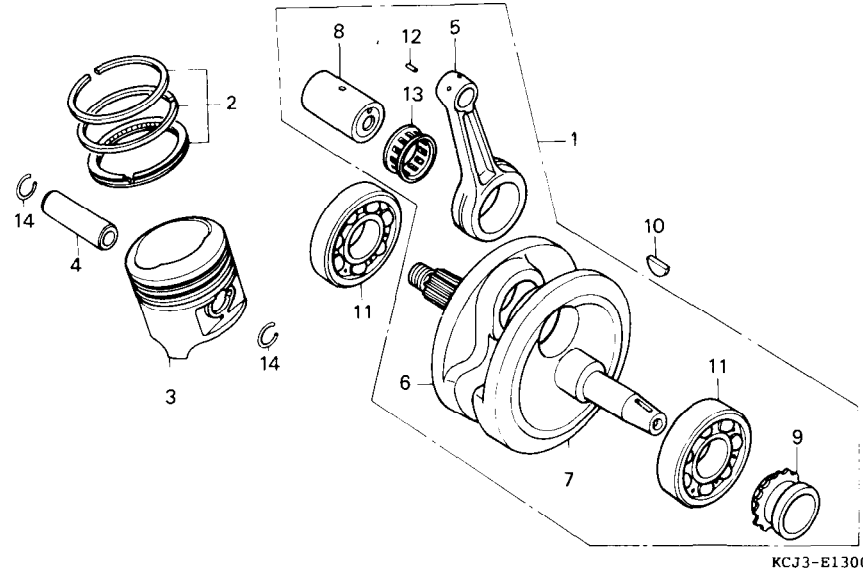
Crankcase



Service item Bagian yang diservis	F. R. T.	Ref.No. Uomor petunjuk	Part No. Nomor Part	Description Nama-Part	Reqd. No. Jumlah GL 200	Serial No. Nomor Serie	Notes Catatan
CRANKCASE COMP., R.....	*4.9	1	11100-KCJ-710	CRANKCASE COMP., R.....	1		
ASKET, CRANKCASE.....	*4.4	2	11191-KCJ-710	GASKET, CRANKCASE.....	1		
CRANKCASE COMP., L.....	X5.8	3	11200-KCJ-710	CRANKCASE COMP., L.....	1		
SCREEN, OIL FILTER.....	Ø.1	4	12361-383-000	CAP, TAPPET ADJUSTING HOLE....	1		
INC. RELATIVE PART (termasuk part yang berhubungan)		5	14513-KBB-900	PLATE, CAM CHAIN PETTING.....	1		
		6	15421-107-000	SCREEN, OIL FILTER.....	1		
		7	15426-107-000	SPRING, OIL FILTER SCREEN....	1		
		8	15761-KCJ-710	TUBE, BREATHER.....	1		
		9	15772-292-010	CLIP, BREATHER TUBE.....	1		
		10	22838-437-000	HOLDER, CLUTCH WIRE.....	1		
		11	32976-KCN-000	CLAMPER, WIRE HARNESS.....	1		
		12	35750-GS3-003	CONTACT, NEUTRAL SWITCH.....	1		
		13	35752-028-300	SPACER, NEUTRAL SWITCH.....	1		
		14	90031-KN6-930	BOLT A, CYLINDER STUD.....	2		
		15	90032-KN6-930	BOLT B, CYLINDER STUD.....	2		
		16	90703-HC4-000	PIN, DOWEL, 10x14.....	4		
		17	91206-286-013	OIL SEAL, 14X28X7 (ARAI).....	1		
		18	91303-KK3-830	O-RING, 35X3.....	1		
		19	91312-107-000	O-RING, 7X1.7.....	1		
		20	95701-06012-08	BOLT, FLANGE, 6X12.....	1		
		21	96001-06012-00	BOLT, FLANGE, 6X12.....	1		
		22	96001-06050-00	BOLT, FLANGE, 6X50.....	10		
		23	96001-06060-00	BOLT, FLANGE, 6X60.....	1		

E-13

Crankshaft • Piston



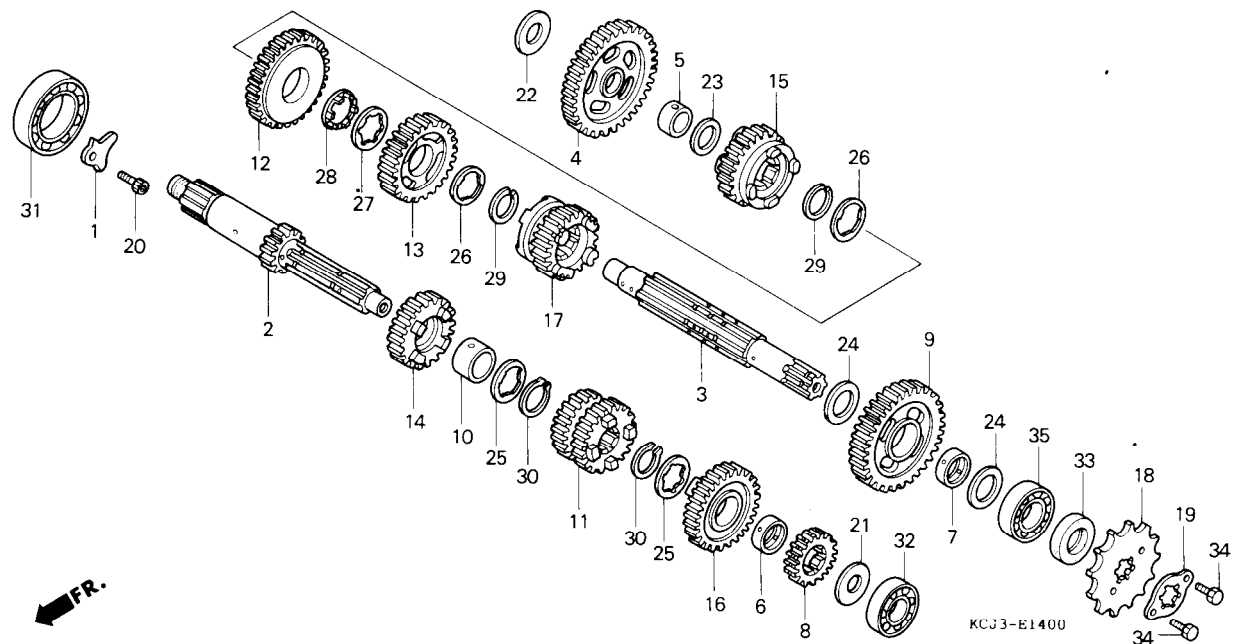
Service item Bagian yang diservis	F. R. T.	Ref.No. Nomor	Part No. Nomor Part	Description Nama Part	Reqd. No. Jumlah GL 200	Serial No. Nomor Serie	Notes Catatan
RANKSHAFT COMP.....	*5.3	1	13000-KCN-000	CRANKSHAFT COMP.....	1		Selection table of connecting rod large end bearing roller (Radial Clearance 0 ~ 8 μm) Tabel pemilihan bantalan ujungbesar batang penggerak (Toleransi Radial 0 ~ 8 μm)
ING SET, PISTON.....	*3.2	2	13011-KBB-305	RING SET, PISTON (STD.).....	1		
PISTON.....	*3.1		13021-KBB-305	RING SET, PISTON (OS 0.25)....	(1)		
			13031-KBB-305	RING SET, PISTON (OS 0.50)....	(1)		
IN, PISTON.....	*3.1	3	13101-KBB-901	PISTON (STD.).....	1		
			13102-KBB-305	PISTON (OS 0.25).....	(1)		
			13103-KBB-305	PISTON (OS 0.50).....	(1)		
OD, CONN E CTING. (ACTUAL TIME)		4	13111-440-000	PIN, PISTON.....	1		
		5	13201-KCN-300	ROD, CONNECTING.....	1		
EARING, RADIAL BALL, 28X72X18.	*4.6	6	13311-KCN-300	CRANKSHAFT, R.....	1		
		7	13321-KCN-300	CRANKSHAFT, L.....	1		
		8	13380-KCN-300	PIN COMP., CRANK.....	1		
		9	14311-KN6-931	SPROCKET, TIMING.....	1		
		10	90701-HB6-010	KEY, WOODRUFF, 25X14X4.....	1		
		11	91001-KC6-961H	BEARING, RADIAL BALL, 28X72X18	2		
		12	91102-KC6-003	ROLLER, 4X14.8 A (RED).....	18		
			91103-KC6-003	ROLLER, 4X14.8 B (BLUE).....	18		
			91104-KC6-003	ROLLER, 4X14.8 C (WHITE).....	18		
		13	91105-KW3-003	RETAINER, CONNECTING ROD LARGE END	1		
		14	94601-I 5000	CLIP, PISTON PIN, 15MN.....	2		

Connecting rod I.D. 38 φ	a	A	B	C
Crank pin O.D. 30 φ	-0.003 ~ -0.001	-0.001 ~ +0.001	+0.001 ~ +0.003	+0.003 ~ +0.005
1 or Green	-0.001 ~ +0.001	Blue 91103- KC6-003	Red 91102- KC6-003	
2 or Yellow	+0.001 ~ +0.003	Blue 91103- KC6-003		Red 91102- KC6-003
3 or White	+0.003 ~ +0.005	White 91104- KC6-003	Blue 91103- KC6-003	
4 or Blue	+0.005 ~ +0.007		White 91104- KC6-003	Blue 91103- KC6-003
5 or Brown	+0.007 ~ +0.009			White 91104- KC6-003

Connecting rod I.D. 38 φ	D	E	F
Crank pin O.D. 30 φ	+0.005 ~ +0.007	+0.007 ~ +0.009	+0.009 ~ +0.011
1 or Green	-0.001 ~ +0.001		
2 or Yellow	+0.001 ~ +0.003		
3 or White	+0.003 ~ +0.005	Red 91102- KC6-003	
4 or Blue	+0.005 ~ +0.007		Red 91102- KC6-003
5 or Brown	+0.007 ~ +0.009	Blue 91103- KC6-003	Red 91102- KC6-003

E - 14

Transmisson

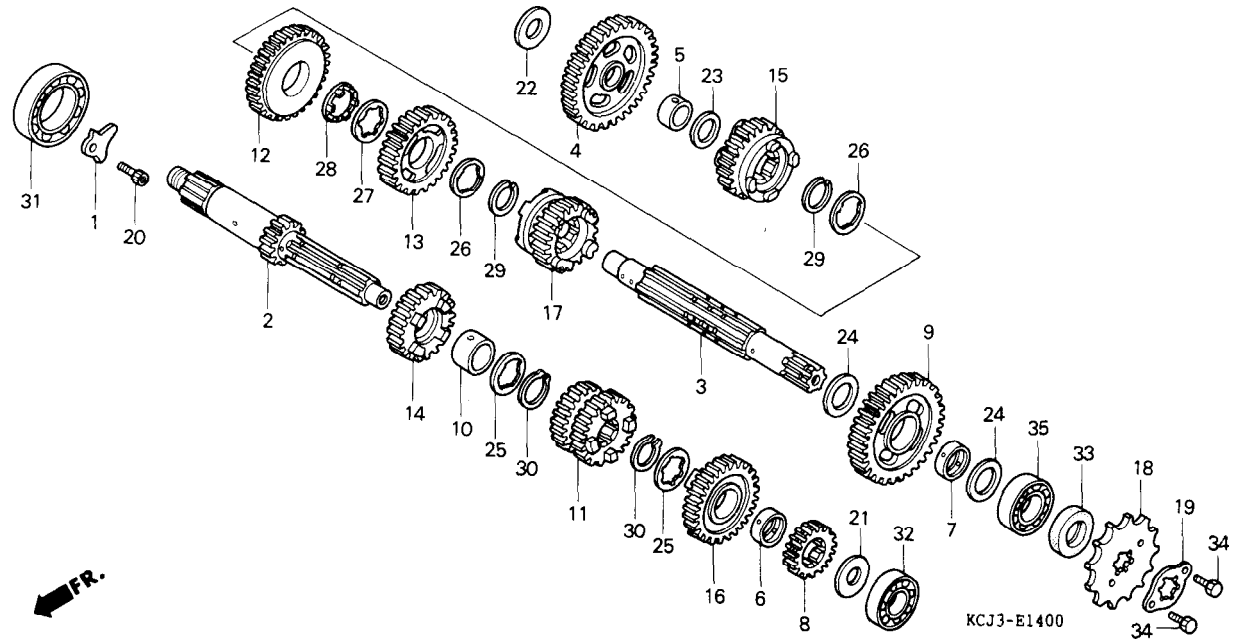


Service item Bagian yang diservis	F.R.T.	Ref.No. Nomor Petunjuk	Part No. Nomor Part	Description Nama - Part	Reqd. No. Jumlah GL 200	Serial No. Nomor Serie	Notes Catatan
AINSHAFT COMP., TRANSMISSION..	*4.6	1	11108-KCJ-710	PLATE, BEARING SETTING.....			
INC. RELATIVE PART (termasuk part yang berhubungan)		2	23210-KCJ-710	MAINSHAFT COMP., TRANSMISSION..	1		
COUNTERSHAFT, TRANSMISSION		3	23221-KCJ-710	COUNTERSHAFT, TRANSMISSION....	1		
INC. RELATIVE PART (termasuk part yang berhubungan)		4	23421-KCJ-710	GEAR, COUNTERSHAFT LOW.....	1		
		5	23427-439-000	COLLAR, COUNTERSHAFT LOW GEAR.	1		
WHEN SERVICING COMP., UNIT, F.R.T. IS 4.8		6	23431-KA2-000	BUSH, 20MM.....	1		
		7	23431-437-000	BUSH, 20MM.....	1		
jika unit lengkap diservis, F.R.T. adalah 4,8)		a	23441-KCJ-710	GEAR, MAINSHAFT SECOND.....			
PROCKET, DRIVE..... 0.2		9	23451-KCJ-710	GEAR, COUNTERSHAFT SECOND.....			
		10	23452-KW1-900	BUSH, 20X23X9.....			
		11	23461-KCJ-710	GEAR, MAINSHAFT THIRD & FOURTH			
		12	23471-KCJ-710	GEAR, COUNTERSHAFT THIRD.....			
		13	23491-KCJ-710	GEAR, COUNTERSHAFT FOURTH.....			
		14	23501-KCJ-710	GEAR, MAINSHAFT FIFTH.....			
		15	23511-KCJ-710	GEAR, COUNTERSHAFT FIFTH.....	1		
		16	23512-KCJ-710	GEAR, MAINSHAFT TOP.....	1		
		17	23513-KCJ-710	GEAR, COUNTERSHAFT TOP.....			
		18	23801-KK1-010	SPROCKET, DRIVE (13T)...	1		
		19	23811-KR3-600	PLATE A2, FIXING.....	1		
		20	90001-KN6-930	BOLT, SOCKET, 6X16.....	1		
		21	90451-107-000	WASHER, THRUST, 15MM....			
		22	90451-365-000	WASHER, THRUST, 15MM....			
		23	90452-437-000	WASHER, THRUST, 16.5MM..			
		24	90454-107-000	WASHER, THRUST, 20MM....	2		
		25	90455-107-000	WASHER A, SPLINE, 20MM..	2		

1993.10.01

E-14

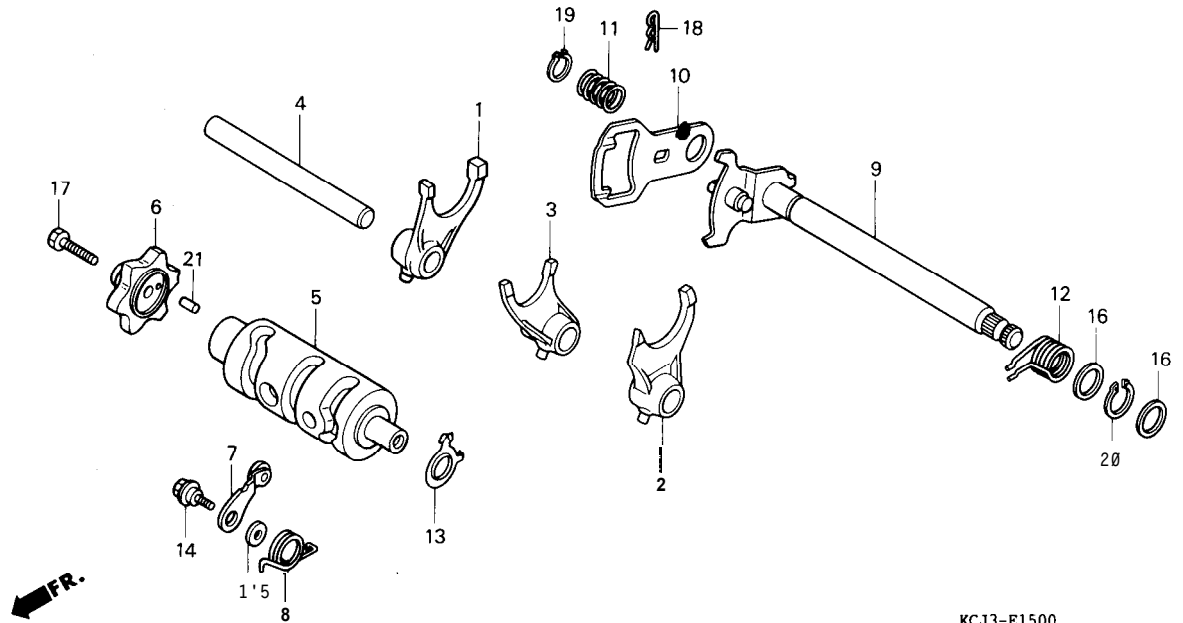
Transmisi



Service item Bagian yang diservis	F. R. T.	Ref.No. Pert No. Nomor Nomor Part Petunjuk	Description Nama - Part	Req. No. Jumlah GL 200	Serial No. Nomor Serie	Notes Catatan
		26 90463-437-000	WASHER, SPLINE.....	2		
		27 90464-360-000	WASHER, COUNTERSHAFT THIRD SPLINE	1		
		28 90465-360-000	WASHER, LOCK.....	1		
		29 90601-437-000	CIRCLIP, EXTERNAL, 22MM.....	2		
		30 90605-200-000	SET RING, 20MM.....	2		
		31 91005-KCN-003	BEARING, RADIAL BALL, 20X55X111			
		32 96100-62020H	BEARING, RADIAL BALL, 6202U...	1		
		33 91201-030-033	OIL SEAL, 20X34X7 (ARAI).....	1		
		34 92101-06010-0A	BOLT, HEX., 6X10.....	2		
		35 96100-62040H	BEARING, RADIAL BALL, 6204....	1		

E-15

Gearshift drum

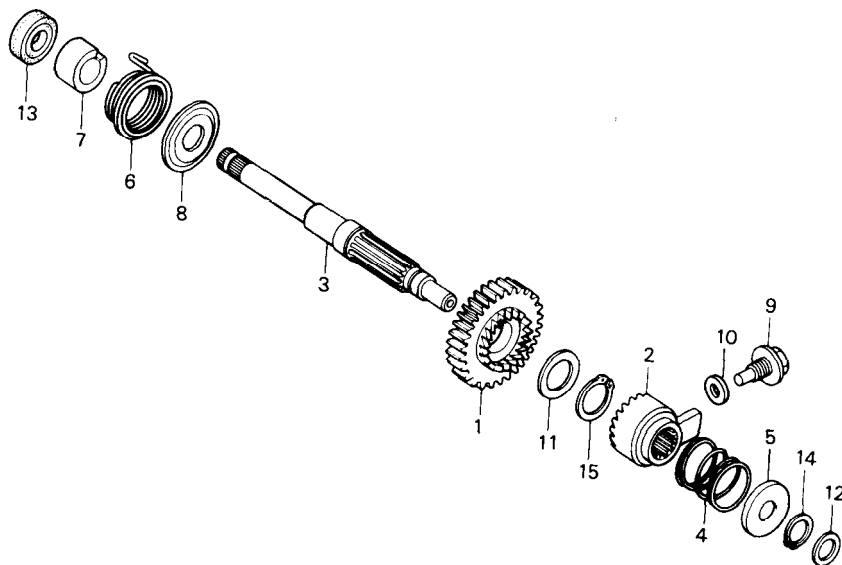


KCJ3-E1500

Service item Bagian yang diservis	F. R. T.	Ref.No. Jomor tetunjuk	Part No. Nomor Part	Description Nama - Part	Reqd. No. Jumlah di 200	Serial No. Nomor Serie	Notes Catatan
ORK, GEARSHIFT.....	*4.4	1	24211-KW1-900	FORK, R. GEARSHIFT.....	1		
ONE OR ALL -satu atau semuanya)		2	24221-427-010	FORK, L. GEARSHIFT.....	1		
DRUM, GEARSHIFT		3	24231-107-010	FORK, CENTER GEARSHIFT.....	1		
AM, GEARSHIFT.....	1.2	4	24241-KCS-650	SHAFT, GEARSHIFT FORK GUIDE...	1		
TOPPER COMP., GEARSHIFT DRUM..	0.8	5	24301-KCJ-710	DRUM, GEARSHIFT.....	1		
INC. RELATIVE PART		6	24411-446-650	CAM, GEARSHIFT.....	1		
termasuk part yang berhubungan)		7	24430-KCJ-710	STOPPER COMP., GEARSHIFT DRUM.	1		
PLATE, GEARSHIFT		8	24435-437-000	SPRING, SHIFT DRUM STOPPER....	1		
PINDLE COMP., GEARSHIFT.....	0.9	9	24610-446-650	SPINDLE COMP., GEARSHIFT.....	1		
		10	24621-446-650	PLATE, GEARSHIFT.....	1		
		11	24631-107-000	SPRING, GEARSHIFT PLATE.....	1		
		12	24651-437-000	SPRING, GEARSHIFT RETURN.....	1		
		13	35753-KG2-951	ROTOR, NEUTRAL SWITCH.....	1		
		14	90023-KW1-900	BOLT, GEARSHIFT DRUM STOPPER ARM PIVOT	1		
		15	90408-KW1-900	WASHER, 6MM.....	1		
		16	90451-001-000	WASHER, THRUST, 14NN.....	2		
		17	92101-06025-0A	BOLT, HEX., 6X25.....	1		
		18	94251-10000	PIN, LOCK, 10MM.....	1		
		19	94510-12000	CIRCLIP, EXTERNAL, 12MM.....	1		
		20	94510-14000	CIRCLIP, EXTERNAL, 14MM.....	1		
		21	96220-40100	ROLLER, 4X10.....	1		

E - 1 6

Kick starter spindle

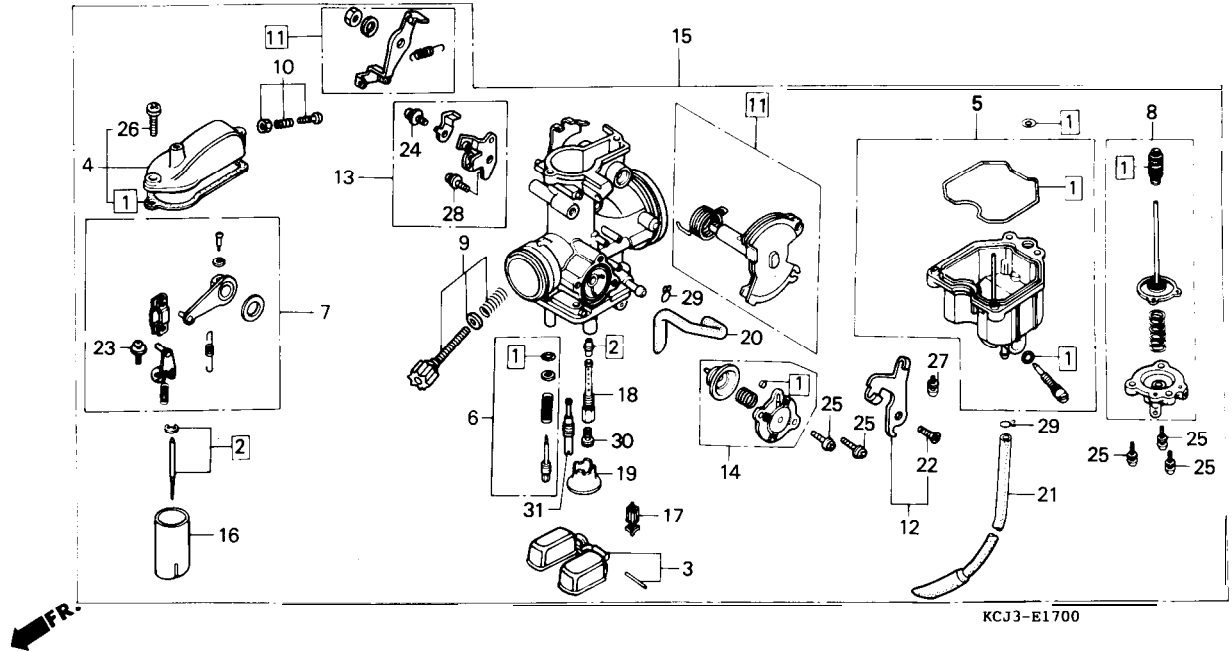


KCJ3-E1600

Service item Bagi yang diservis	F. R. T.	Ref. No. Nomor Petunjuk	Part No. Nomor Part	Description Nama-Part	Reqd. No. Jumlah GL 200	Serial No. Nomor Serie	Notes Catatan
PINDLE, KICK STARTER.....	*3.9	1	28211-KCJ-710	PINION, KICK STARTER.....	1		
INC. RELATIVE PART (termasuk part yang berhubungan)		2	28221-KCJ-710	RATCHET, KICK STARTER.....	1		
		3	28251-KC6-000	SPINDLE, KICK STARTER.....	1		
OIL SEAL, 16X28X7.....	0.6	4	28253-KCJ-710	SPRING, KICK STARTER RATCHET	1		
		5	28254-437-000	SEAT, RATCHET SPRING.....	1		
		6	28261-KCJ-710	SPRING, KICK STARTER.....	1		
		7	28262-437-000	COLLAR, KICK SPINDLE.....	1		
		8	28263-KCJ-710	RETAINER, STARTER SPRING.....	1		
		9	90004-437-000	BOLT, KICK RATCHET.....	1		
		10	90401-KCJ-710	WASHER, 12NN.....	1		
		11	90453-107-000	WASHER A, THRUST, 20MM.....	1		
		12	90459-107-000	WASHER, THRUST, 12MM.....	1		
		13	91204-259-003	OIL SEAL, 16X28X7 (ARAI).....	1		
		14	94510-16000	CIRCLIP, EXTERNAL, 16MM.....	1		
		15	94510-20000	CIRCLIP, EXTERNAL, 20MM.....	1		

E - 17

Carburetor



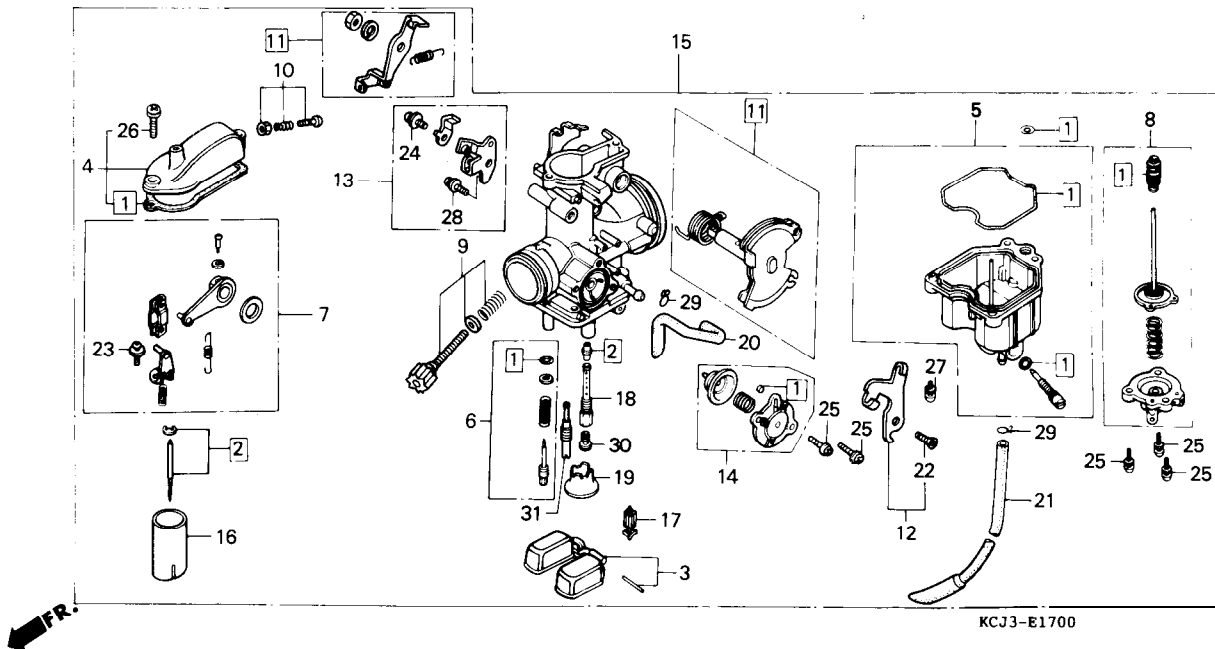
KCJ3-E1700

Service item Bagian yang diservis	F. R. T.	Ref.No. Part No. Jomor Nomor Part Petunjuk	Description Nama - Part	Reqd. No. Jumlah GL 200	Serial No. Nomor Serie	Notes Catatan
GASKET SET.....	1.0	① 16010-428-671	GASKET SET.....	1		
NEEDLE SET, JET.....	0.9	② 16012-KCJ-710	NEEDLE SET, JET.....	1		
FLOAT SET.....	0.6	3 16013-439-921	FLOAT SET.....	1		
VALVE COMP., FLOAT		4 16014-KZ1-670	TOP SET.....	1		
CLIP, TUBE		5 16015-KCJ-710	CHAMBER SET, FLOAT.....	1		
TOP SET.....	0.4					
CHAMBER SET, FLOAT		6 16016-402-004	SCREW SET A.....			
ARM SET, LINK.....	0.8	7 16018-428-671	ARM SET, LINK.....			
LINK SET		8 16021-KCJ-710	DIAPHRAGM SET, PUMP.....			
DIAPHRAGM SET, PUMP.....	0.5	9 16028-KBW-901	SCREW SET B.....			
VALVE SET, AIR CUT.....	0.3	10 16029-426-003	SCREW SET C.....			
CARBURETOR ASSY.....	0.7					
VALVE, THROTTLE		⑪ 16033-KCJ-710	LINK SET.....	1		
		12 16037-KCJ-710	STAY SET.....	1		
		13 16038-KCJ-710	STAY SET, CHOKE.....	1		
		14 16048-KB7-901	VALVE SET, AIR CUT.....	1		
		15 16100-KCJ-710	CARBURETOR ASSY.....	1		
		16 16111-KBW-900	VALVE, THROTTLE.....	1		
		17 16155-397-971	VALVE COMP., FLOAT.....	1		
		18 16165-KBW-900	HOLDER, NEEDLE JET.....	1		
		19 16168-382-014	HOLDER, JET.....	1		
		20 16198-KBW-900	TUBE.....	1		
		21 16199-KCJ-710	TUBE.....	1		
		22 93600-05010-1H	SCREW, FLAT, 5X10.....	1		
		23 93892-03008-18	SCREW-WASHER, 3x8.....	2		
		24 93892-04008-18	SCREW-WASHER, 4x8.....			
		25 93892-04012-18	SCREW-WASHER, 4X12.....			

1993.10.01

E-17

Carburetor



Service item Bagian-yang diservis	F. R. T.	Ref.No. Nomor Petunjuk	Part No. Nomor Part	Description Nama - Part	Reqd. No. Jumlah GL 200	Serial No. Nomor Serie	Notes Catatan
		26	93892-04014-18	SCREW-WASHER, 4X14.....	2		
		27	93892-04016-18	SCREW-WASHER, 4X16.....	3		
		28	93892-05010-18	SCREW-WASHER, 5X10.....	1		
		29	95002-02659	CLIP, TUBE (B6.5).....	2		
		30	99101-393-1200	J E MAIN, #120.....	1		
		31	99103-440-0380	JET, SLOW, #38.....	1		