

 **HONDA**

PART CATALOG

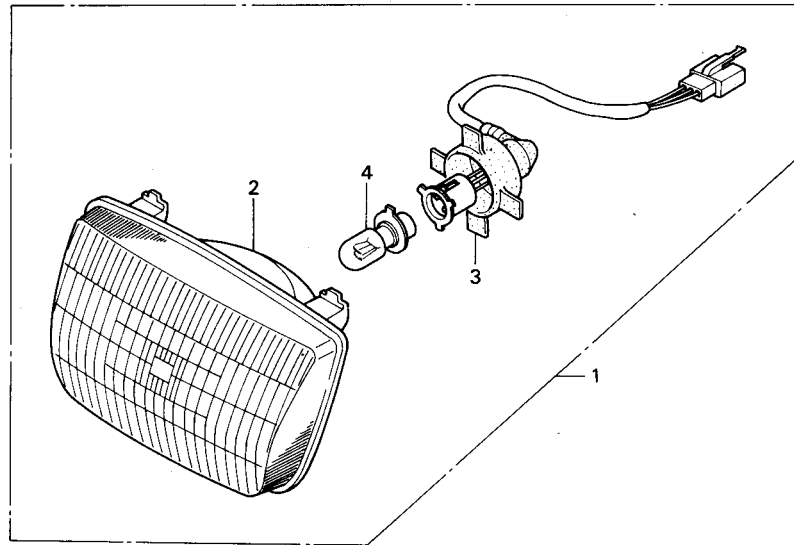
EDISI 1

ATTEA
LEGENDA



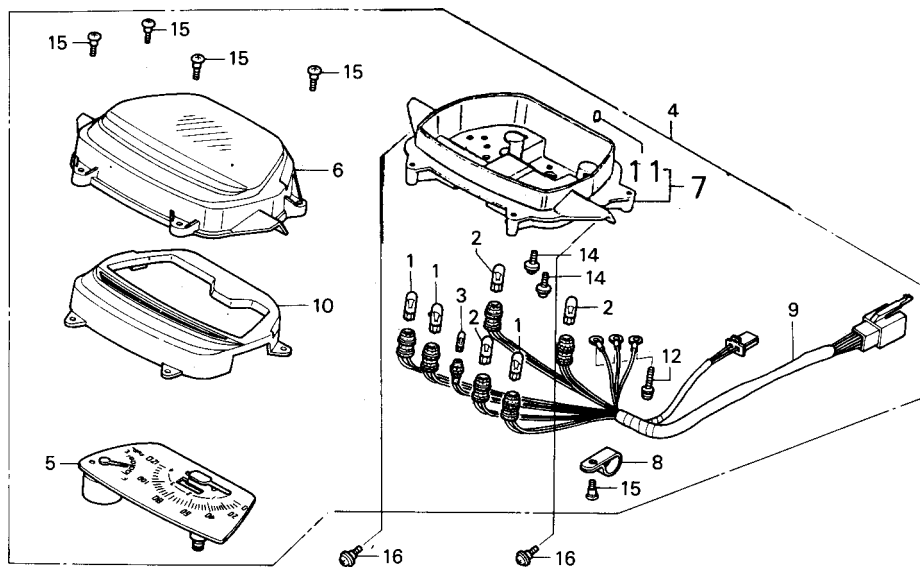
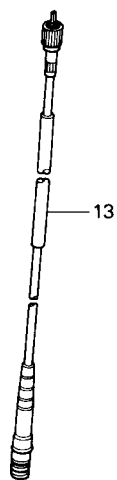
Menu Utama

F - 1
Headlight



Service item	F.R.T.	No.	Part Number	Description	Q'ty	Notes
HEADLIGHT ASSY	0.2	1	33100-GN5-831	HEADLIGHT ASSY	1	
.HEADLIGHT UNIT		2	33120-GN5-831	HEADLIGHT UNIT	1	
SOCKET COMP., HEADLIGHT	0.3	3	33130-GN5-831	SOCKET COMP., HEADLIGHT	1	
BULB, HEADLIGHT	0.1	4	34901-066-003	BULB, HEADLIGHT (STANLEY) (12V 25W)	1	

F - 2 Speedometer

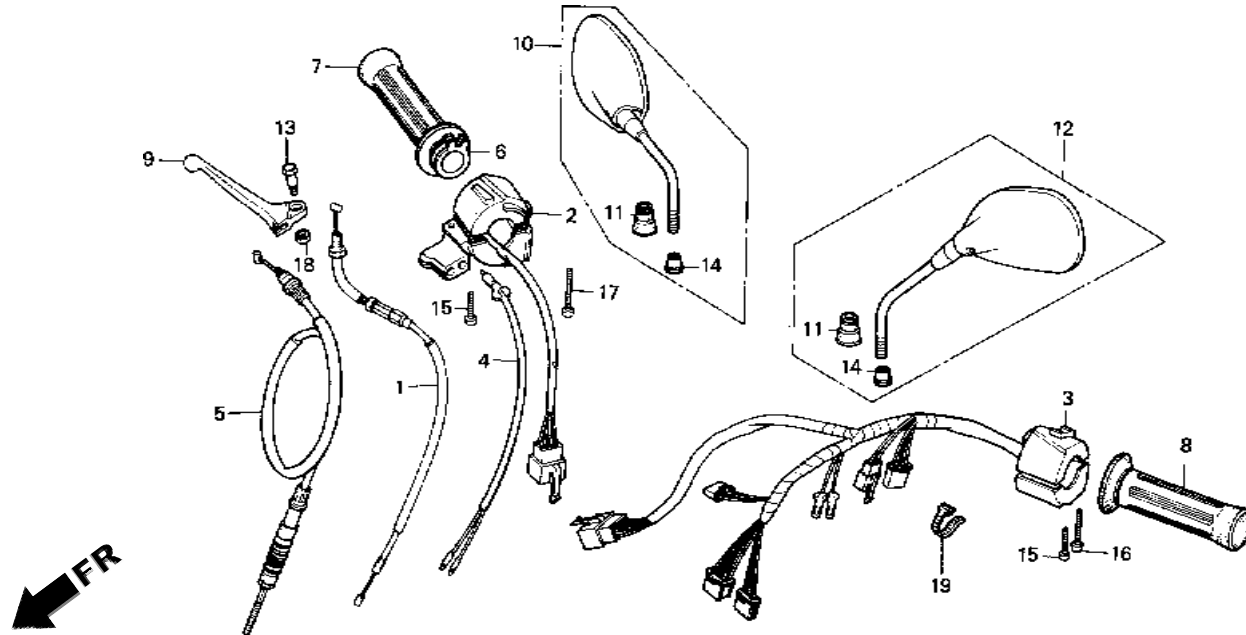


3

Service item	F.R.T.	No.	Part Number	Description	Q'ty	Notes
SPEEDOMETER ASSY	0.4	1	34908-GA7-701	BULB, WEDGE BASE (12V 3.4W)	3	
SPEEDOMETER COMP.	0.5	2	34908-MB9-871	BULB, WEDGE BASE (12V 1.7W)	3	
.CASE		3	34908-MG9-951	BULB, WEDGE BASE (14V3W)	1	
.SOCKET COMP.		4	37200-KFV-841	SPEEDOMETER ASSY.	1	
LENS METER.	0.3	5	37210-GN5-831	SPEEDOMETER COMP.	1	
.PANEL ASSY.		6	37211-GN5-831	LENS	1	
.CABLE COMP., SPEEDOMETER		7	37212-GN5-831	CASE ASSY.	1	
		8	37215-MB6-831	CLAMP	1	
		9	37223-GN5-831	SOCKET COMP	1	
		10	37302-GN5-831	PLATE, REFLECTING ASSY	1	
		11	37304-198-901	RUBBER, CUSHION	4	
		12	37305-KE5-008	SCREW-WASHER, 3X22	3	
		13	44830-GN5-830	CABLE COMP., SPEEDOMETER	1	
		14	90035-166-008	SCREW-WASHER, SPECIAL	2	
		15	93903-24420	SCREW, TAPPING, 4X16	5	
		16	93903-25310	SCREW, TAPPING, 5X16	2	

F - 3

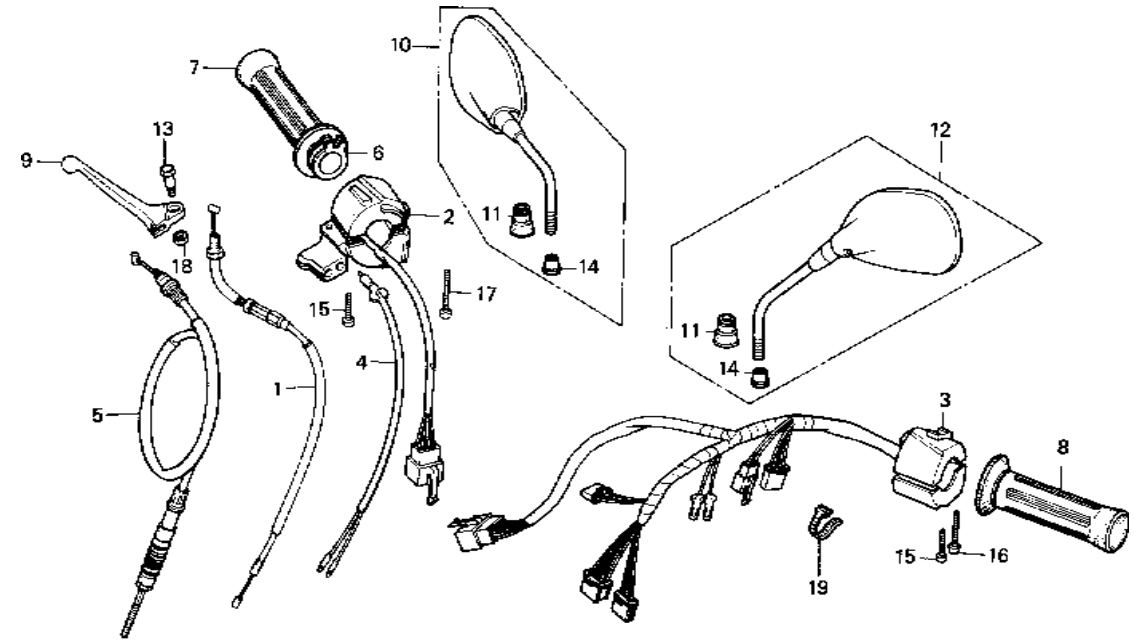
Handle Lever/ Switch/Cable



Service item	F.R.T.	No.	Part Number	Description	Q'ty	Notes
CABLE COMP., THROTTLE	0.5	1	17910-GN5-900	CABLE COMP., THROTTLE	1	
.SWITCH ASSY., WINKER		2	35150-GN5-830	SWITCH ASSY., STARTER LIGHTING	1	
.SWITCH ASSY., LIGHTING	0.6		35150-GN5-840	SWITCH ASSY., LIGHTING	1	
.SWITCH ASSY., STARTER LIGHTING						
SWITCH ASSY FR. STOP	0.3	3	35200-GN5-830	SWITCH ASSY., WINKER	1	
.PIPE THROTTLE GRIP		4	35345-GW0-900	SWITCH ASSY., FR. STOP	1	
CABLE COMP., FR BRAKE	0.4	5	45450-GN5-830	CABLE COMP., FR. BRAKE	1	
GRIP, R. HANDLE	0.2					
GRIP, L. HANDLE	0.1	6	53141-GC8-000	PIPE, THROTTLE GRIP	1	
.LEVER, R. STEERING HANDLE		7	53165-GC8-000	GRIP, R. HANDLE	1	
		8	53166-GC8-000	GRIP, L. HANDLE	1	
		9	53175-GN5-780	LEVER, R. STEERING HANDLE	1	
		10	88110-KFV-860	MIRROR ASSY., R. BACK	1	
		11	88113-GN5-900	CAP, LOCK NUT	2	
		12	88120-KFV-860	MIRROR ASSY., L. BACK	1	
		13	90115-GE0-000	BOLT, HANDLE LEVER PIVOT	1	
		14	90314-GN5-910	NUT, LOCK	2	
		15	93500-05028-0A	SCREW, PAN, 5X28	2	

15.01.2001

F - 3
 Handle Lever/
 Switch/Cable

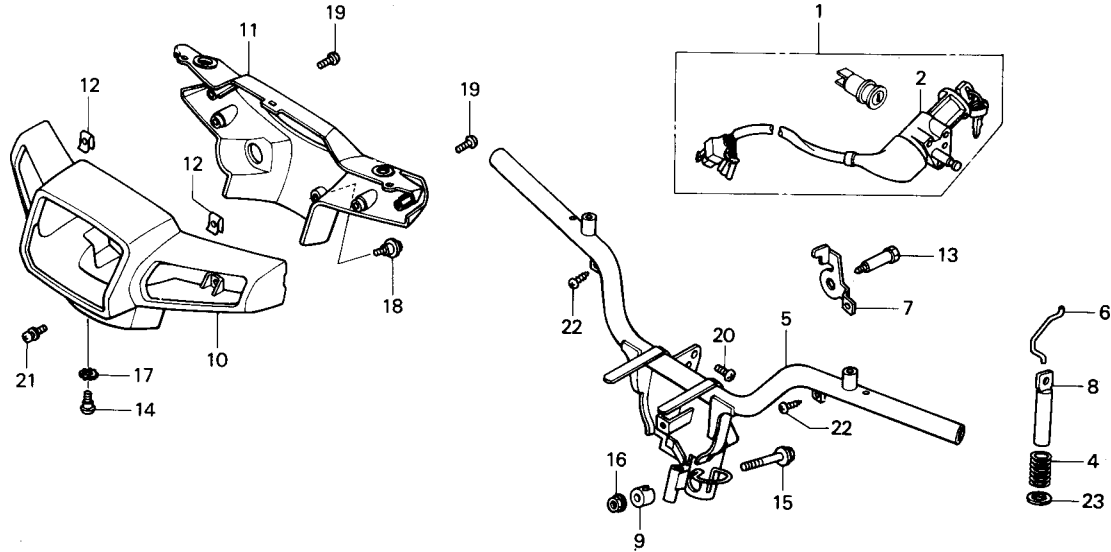


3

Service item	F.R.T.	No.	Part Number	Description	Q'ty	Notes
		16	93500-05035-0A	SCREW, PAN, 5X35	1	
		17	93500-05040-0A	SCREW, PAN, 5X40	1	
		18	94001-05000-0S	NUT, HEX., 5MM	1	
		19	95014-62100	BAND B1, WIRE	1	

F - 4

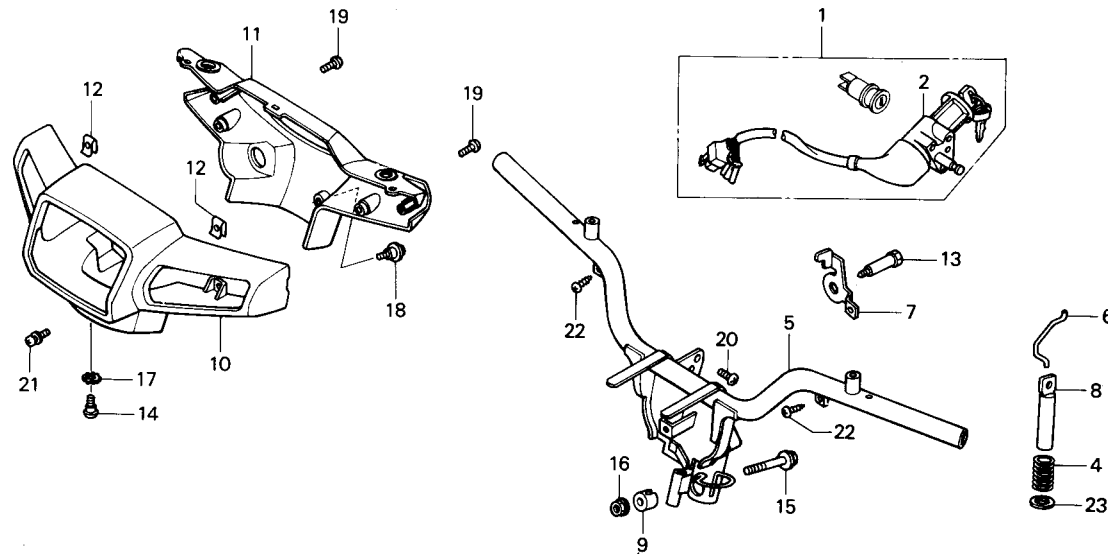
Steering Handle/Handle Cover



Service item	F.R.T.	No.	Part Number	Description	Q'ty	Notes
KEY SET	0.8	1	35010-GN5-830	KEY SET	1	
SWITCH ASSY., COMBINATION & LOCK	0.6	2	35100-GN5-830	SWITCH ASSY., COMBINATION & LOCK	1	
HANDLE COMP., STEERING	0.7	4	47133-GN5-900	SPRING, HANDLE LOCK	1	
LEVER, HANDLE LOCK	0.4	5	53100-GN5-830	HANDLE COMP., STEERING	1	
.PIN, HANDLE LOCK						
COVER, FR. HANDLE	0.3	6	53107-GN5-900	RQfi, HANDLE LOCK	1	
.COVER, RR. HANDLE						
		7	53108-GN5-900	LEVER, HANDLE LOCK	1	
		8	53109-GN5-780	PIN, HANDLE LOCK	1	
		9	53125-GN5-960	COLLAR, HANDLE SETTING	1	
		10	53205-GN5-830FMB	COVER, FR. HANDLE *NH1*	1	
		11	53206-GN5-830FMB	COVER, RR. HANDLE *NH1*	1	
		12	64521-MN5-000	NUT, CLIP, 4MM	2	
		13	90023-GN2-000	BOLT, SEAT LOCK	1	
		14	90101-GJ6-000	BOLT, ADJUSTING	1	
		15	90106-GN5-900	BOLT, FLANGE, 10X50	1	

F - 4

Steering Handle/ Handle Cover

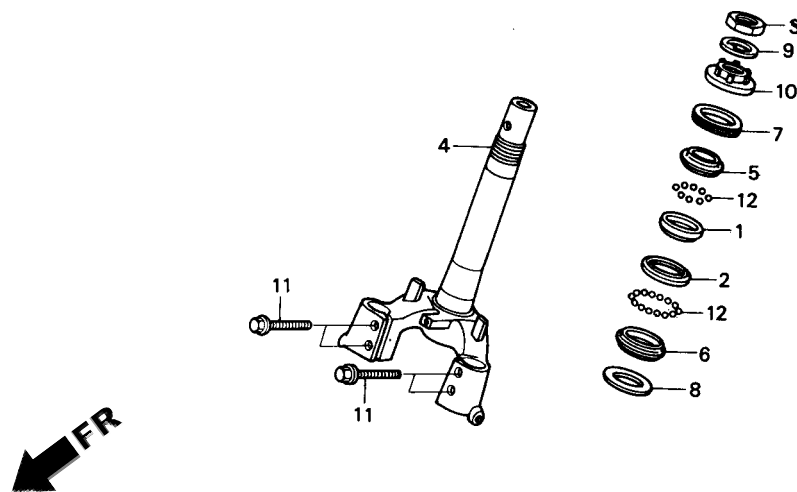


3

Service item	F.R.T.	No.	Part Number	Description	Q'ty	Notes
		16	90304-GE8-003	NUT, U, 10MM	1	
		17	90307-GJ6-003	WASHER, LOCK, ~MM	1	
		18	91508-GC8-00	SCREW, PAN, 5X7	1	
		19	93500-04016-06	SCREW, PAN, 4X16	2	
		20	93500-06010-0A	SCREW, PAN, 6 x 10	2	
		21	93891 -05020-00	SCREW-WASHER, 5 x 20	1	
		22	93903-34380	SCREW, TAPPING, 4 x 12	2	
		23	94102- 10000	WASHER, PLAIN, 10MM	1	

F - 5

Steering Stem

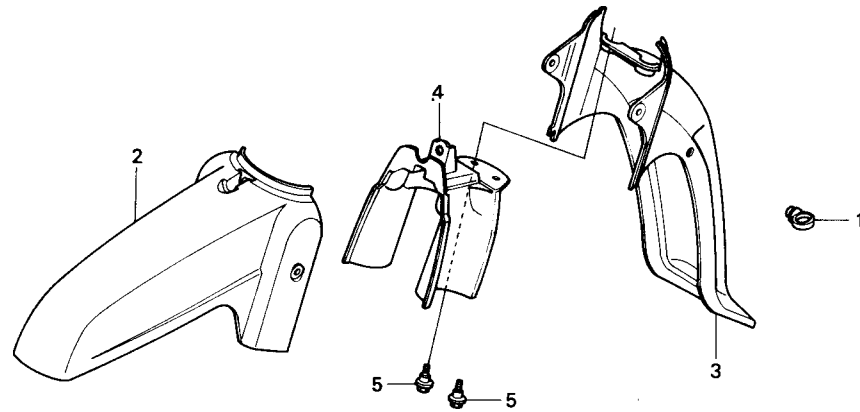


Service item	F.R.T.	No.	Part Number	Description	Q'ty	Notes
RACE, STEERING BALL 1.4 (ONE OR ALL)		1	50301-GN5-901	RACE, STEERING TOP BALL	1	
.RACE STEERING BOTTOM CONE		2	50302-GN5-900	RACE, STEERING BOTTOM BALL	1	
STEMP COMP., STEERING 1.5		3	50306-GN5-900	NUT, STEERING STEM LOCK	1	
RACE, STEERING TOP CONE 0.9		4	53200-GN5-830	STEM COMP., STEERING	1	
.THREAD COMP., STEERING HEAD TOP		5	53211-GN5-900	RACE, STEERING TOP CONE	1	
		6	53212-GN5-900	RACE, STEERING BOTTOM CONE	1	
		7	53214-GN5-900	DUST SEAL, STEERING HEAD	1	
		8	53215-GN5-900	WASHER, STEERING HEAD DUST SEAL	1	
		9	53216-GN5-830	WASHER, STEERING STEM NUT	1	
		10	53220-GN5-900	THREAD COMP., STEERING HEAD TOP	1	
		11	95801-10045-00	BOLT, FLANGE, 10X45	4	
		12	96211-06000	BALL, STEEL, #6 (3/16)	52	

15.01.2001

F - 6

Front Fender

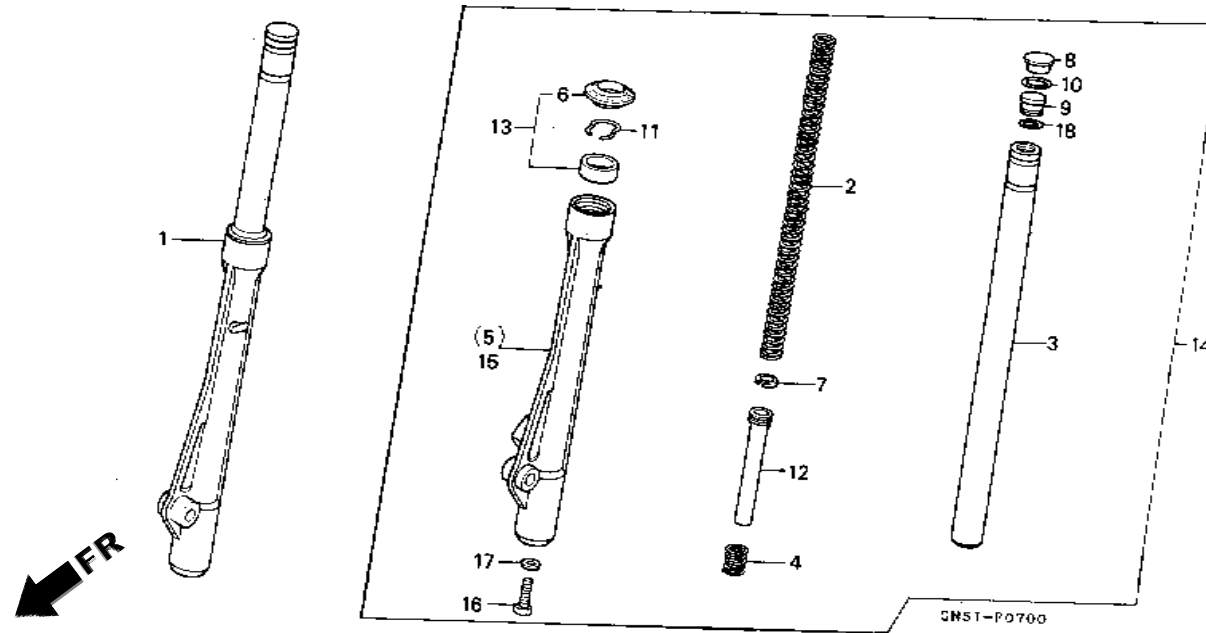


3

Service item	F.R.T.	No.	Part Number	Description	Q'ty	Notes
FENDERA, FR	0.1	1	45451-086-910	GROMMET, WIRE	1	
FENDER B, FR	0.2	2	63101-GBG-830FMB	FENDERA, FR. *NH1*	1	
.FENDER, INNER		3	61102-GBG-830FMB	FENDER B, FR. *NH1*	1	
		4	61103-KFV-940	FENDER, INNER	1	
		5	90111-162-000	BOLT, FLANGE, 6MM	1	

F - 7

Front Fork

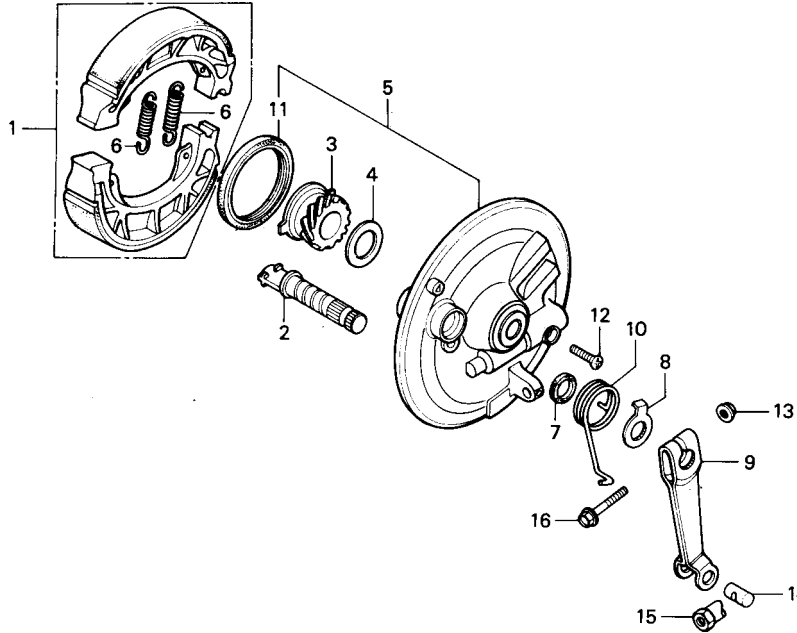


Service item	F.R.T.	No.	Part Number	Description	Q'ty	Notes
FORK ASSY., FR	0.5	1	51400-KFV-861	FORK ASSY., R. FR	1	
(ADD 0.1 FOR EACH)						
SPRING, FR. FORK	0.3	2	51401-GN5-781	SPRING, FR. FORK	2	
(ADD 0.1 FOR EACH)						
PIPE COMP., FR. FORK	0.8	3	51410-GN5-781	PIPE COMP., FR	2	
(ADD 0.4 FOR EACH)						
CASE, BOTTOM	0.9	5	51421-GN5-831	CASE, R. BOTTOM	1	
(ADD 0.5 FOR EACH)						
SEAL SET, FR. FORK	0.7	13	51490-GN5-305	SEAL SET, FR. FORK	2	
(ADD 0.5 FOR EACH)						
		6	51425-GN5-901	DUST SEAL	2	
		7	51437-GM0-003	RING, PISTON	2	
		8	51449-GM0-003	CAP, FORK PIPE	2	
		9	51454-GM0-003	SEAT, SPRING' UPPER	2	
		10	51456-GM0-003	RING, STOPPER	2	
		11	51466-065-901	RING, OIL SEAL STOPPER	2	
		12	51470-GN5-901	PIPE, SEAT	2	
		14	51500-KFV-861	FORK ASSY., L. FR	1	
		15	51521-GN5-831	CASE, L. BOTTOM	1	
		16	90116-383-721	BOLT, SOCKET, 8MM	2	
		17	90544-283-000	WASHER, SPECIAL, 8MM	2	
		18	91356-GM0-003	O-RING	2	

15.01.2001

F - 8

Front Brake Panel



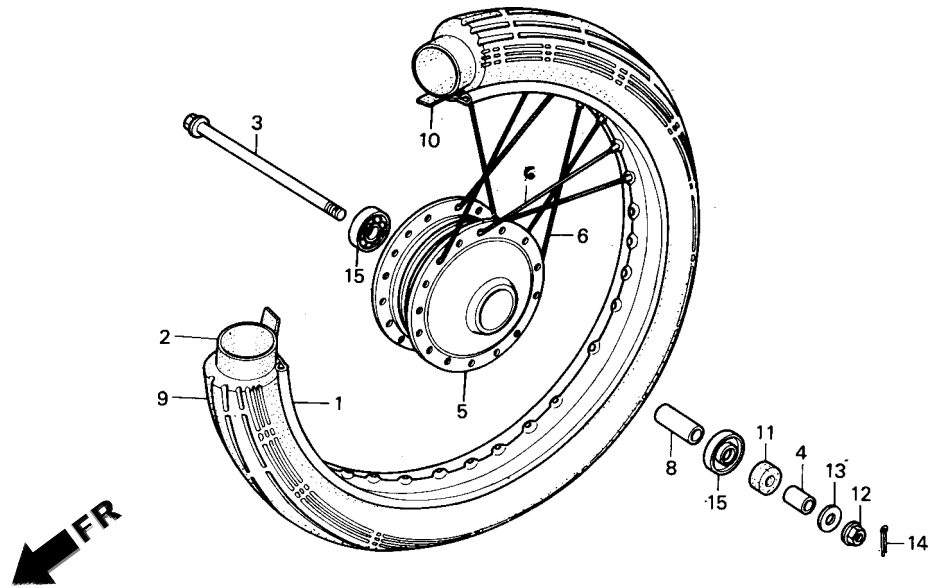
3

Service item	F.R.T.	No.	Part Number	Description	Q'ty	Notes
SHOE SET, BRAKE	0.4	1	45120-001-010	SHOE SET, BRAKE	1	
.PANEL SUB COMP. FR. BRAKE (INC. RELATIVE PART)		2	43141-KB9-000	CAM, RR. BRAKE	1	
GEAR, SPEEDOMETER	0.3	3	44806-GN5-901	GEAR, SPEEDOMETER	1	
ARM, FR. BRAKE	0.1	4	44808-107-720	WASHER, SPEEDOMETER GEAR	1	
(INC. RELATIVE PART)		5	45010-GN5-305ZA	PANEL SUB COMP., FR. BRAKE	1	
		6	45133-028-000	SPRING, BRAKE SHOE	2	
		7	45134-250-000	DUST SEAL, BRAKE CAM	1	
		8	45145-121-710	INDICATOR, FR. BRAKE	1	
		9	45410-GN5-900	ARM, FR. BRAKE	1	
		10	45435-121-010	SPRING, FR. BRAKE ARM RETURN	1	
		11	91251-GN5-901	DUST SEAL, 47X57X7	1	
		12	93700-05020-0A	SCREW, OVAL, 5X20	1	
		13	94050-06000	NUT, FLANGE, 6MM	1	
		14	95015-32001	JOINT B, BRAKE ARM	1	
		15	95015-42000	NUT B, BRAKE ROD ADJUSTING	1	
		16	95701-06028-00	BOLT, FLANGE, 6X28	1	

15.01.2001

F - 9

Front Wheel

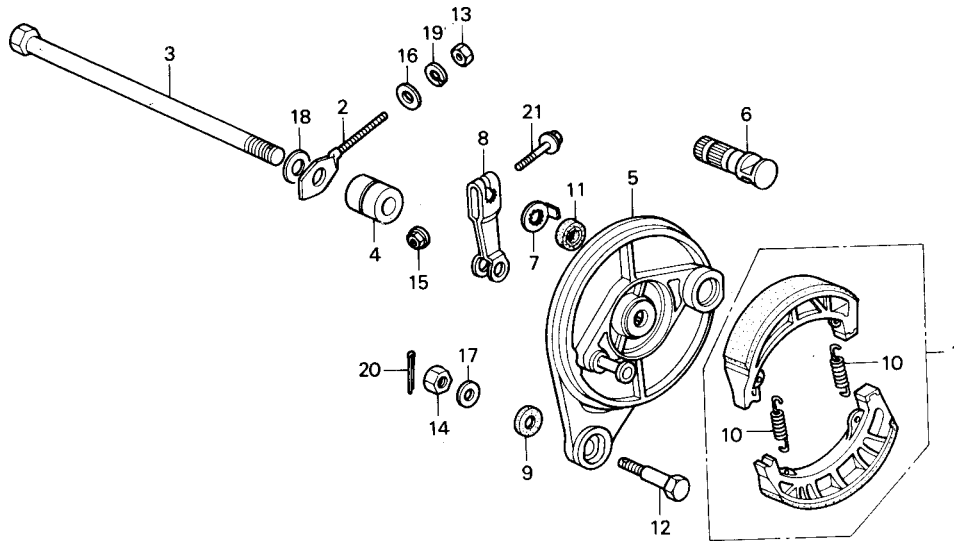


Service item	F.R.T.	No.	Part Number	Description	Q'ty	Notes
RIM, RR. WHEEL	2.2	1	42701-086-910	RIM, RR. WHEEL	1	
TUBE, TIRE	0.8	2	22517-2501700	TUBE. TIRE (2.25/2.50-17)	1	
.TIRE, FR. WHEEL		3	44301-GN5-960	AXLE, FR. WHEEL	1	
AXLE, FR. WHEEL	0.2	4	44311-GN5-900	COLLAR, FR. WHEEL SIDE	1	
HUB, FR. WHEEL	2.5	5	44601-GN5-960FMS	HUB FR. WHEEL NH 310	1	
BEARING, RADIAL BALL, 6301U	0.4	6	1110-159S	SPOKE SET 22517	1	
(ADD 0.1 FOR EACH)		8	44620-400- 000	COLLAR, FR. AXLE DISTANCE	1	
		9	44710-GBG-881	TIRE, FR. WHEEL (2.25-274 PR)	1	
		10	42713-GN8-F00	FLAP, FR TUBE (17)	1	
		11	90755-229-003	OIL SEAL, 21x37x7	1	
		12	94101-12000-0S	NUT, CASTEL, 12MM	1	
		13	94101-12000	WASHER, PLAIN, 12MM	1	
		14	94201-30250	PIN, SPLIT, 3.0X25	1	
		15	HB 6301	BEARING, RADIAL BALL, 6301U	1	

15.01.2001

F - 10

Rear Brake Panel

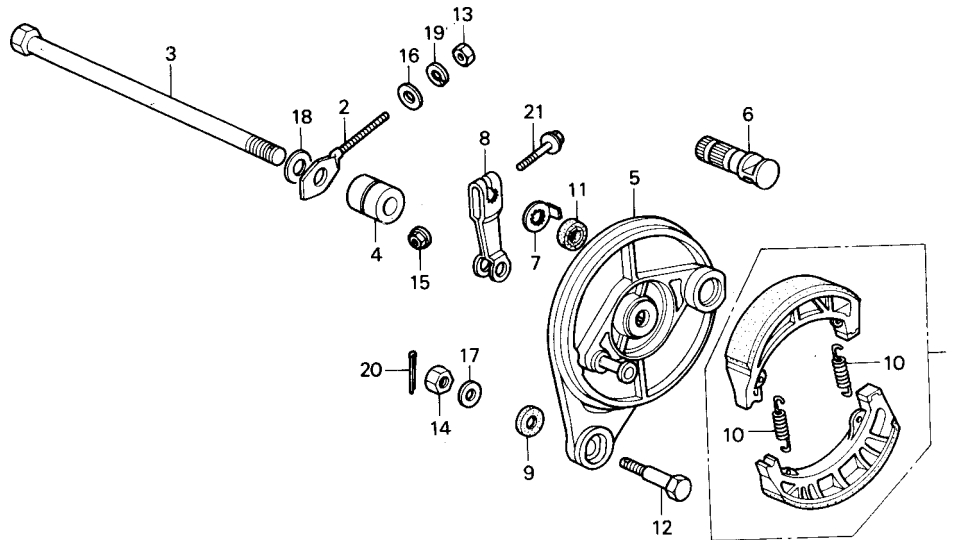


3

Service item	F.R.T.	No.	Part Number	Description	Q'ty	Notes
SHOE SET, BRAKE	0.4	1	45120-000-010	SHOE SET, BRAKE	1	
AXLE, RR. WHEEL	0.2	2	40541-GN5-830	ADJUSTER, R. CHAIN	1	
PANEL COMP., RR. BRAKE	0.5	3	42301-GN5-830	AXLE, RR. WHEEL	1	
(INC. RELATIVE PART)						
ARM, RR. BRAKE	0.1	4	42313-GN5-830	COLLAR, RR. BRAKE PANEL SIDE	1	
(INC. RELATIVE PART)						
		5	43100-GN5-960	PANEL COMP., RR. BRAKE	1	
		6	43141-400-010	CAM, RR. BRAKE	1	
		7	43145-149-000	INDICATOR, RR. BRAKE	1	
		8	43410-149-000	ARM, RR. BRAKE	1	
		9	43434-286-000	RUBBER, STOPPER ARM CUSHION	1	
		10	45133-028-000	SPRING, BRAKE SHOE	2	
		11	45134-250-000	DUST SEAL, BRAKE CAM	1	
		12	92811-10000	BOLT A, BRAKE STOPPER	1	
		13	94001-06000	NUT, HEX., 6MM	1	
		14	94001-08000-0S	NUT, HEX., 8MM	1	
		15	94050-06000	NUT, FLANGE, 6MM	1	

F - 10

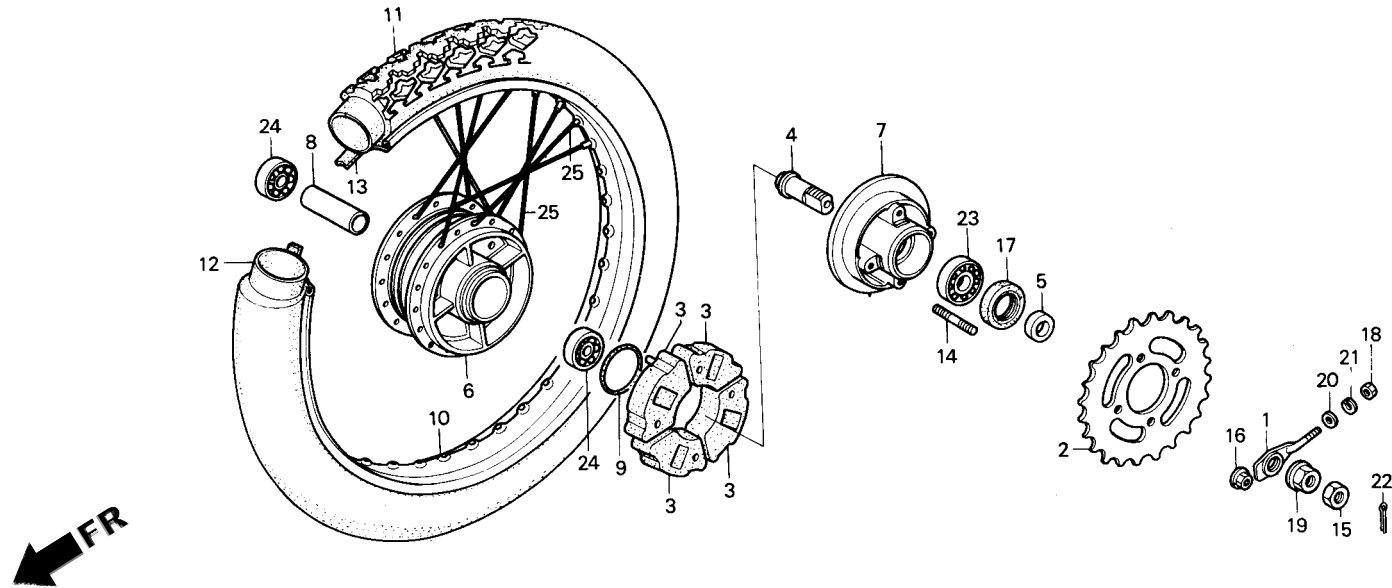
Rear Brake Panel



Service item	F.R.T.	No.	Part Number	Description	Q'ty	Notes
		16	94101-06000	WASHER, PLAIN, 6MM	1	
		17	94101-08000	WASHER, PLAIN, 8MM	1	
		18	94102-12000	WASHER, PLAJN, 12MM	1	
		19	94111-06000	WASHER, SPRING, 6MM	1	
		20	94201-20150	PIN, SPLIT, 2.0X15	1	
		21	95701 -06032-00	BOLT, FLANGE, 6X32	1	

F - 11

Rear Wheel

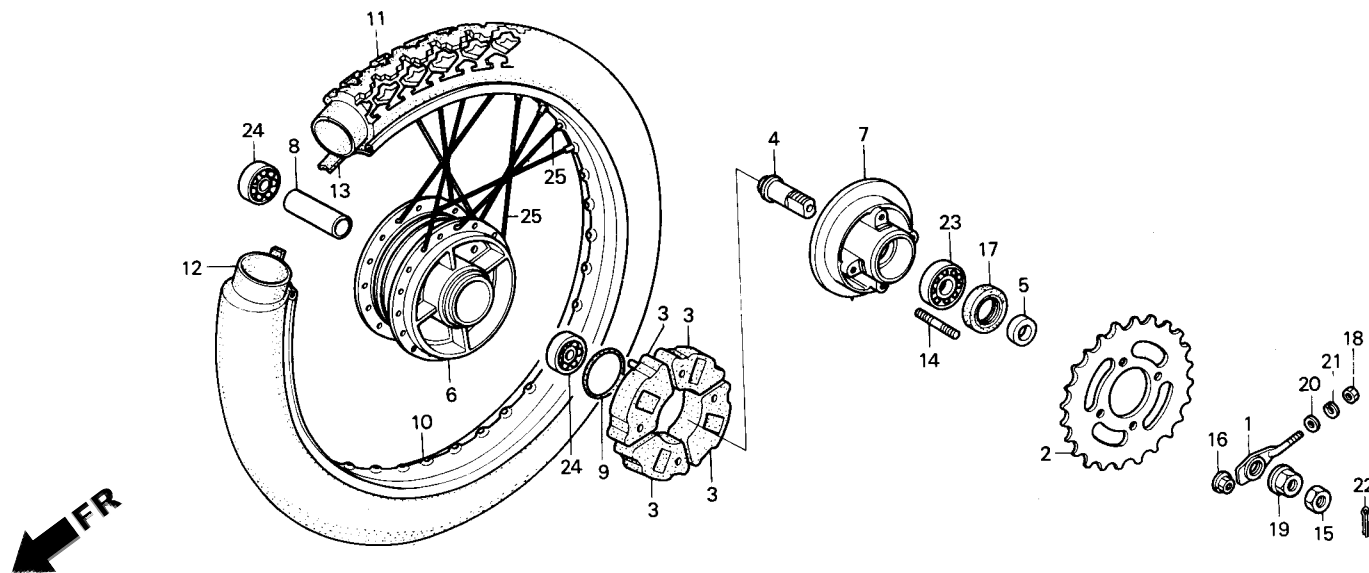


3

Service item	F.R.T.	No.	Part Number	Description	Q'ty	Notes
SPROCKET, FINAL DRIVEN	0.6	1	40540-GN5-830	ADJUSTER, L. CHAIN	1	
DAMPER, RR. WHEEL	0.3	2	41201-GN5-900	SPROCKET, FINAL DRIVEN (36T).	1	
(ONE FOR ALL)						
SLEEVE, RR. WHEEL	0.4	3	41241-GB4-770	DAMPER, RR. WHEEL	1	
.COLLAR, AXLE DISTANCE		4	42303-GN5-830	SLEEVE, RR. WHEEL	1	
.BEARING, RADIAL BALL, 6310U (ADD 0.1 FOR EACH)		5	42304-GN5-900	COLLAR, RR. WHEEL SIDE	1	
HUB, RR. WHEEL	2.6	6	42601-GN5-FMS	HUB, RR. WHEEL *NH310M*	1	
FLANFE, FINAL DRIVEN	0.8	7	42610-GN5-900	FLANGE, FINAL DRIVEN	1	
.TIRE, RR. WHEEL		8	42620-GB6-920	COLLAR, RR. AXLE DISTANCE	1	
.TUBE TIRE		9	42653-001-004	O-RING, 40.5X3 (DUST KEEPER)	1	
RIM, RR. WHEEL	2.3	10	42701-030-007	RIM, RR. WHEEL (1.40 x 17)	1	
		11	42710-087-741	TIRE, RR WHEEL 12.50- 17 4PR	1	
		12		TUBE. TIRE (2.25/2.50 - 17)	1	
		13	42713-GN8-F00	FLAP, TIRE 117)	1	
		14	90128-GS4-000	BOLTSTUD 8 x 48	1	
		15	90307-001-000	NUT, RR AXLE SLEEVE	1	

F - 11

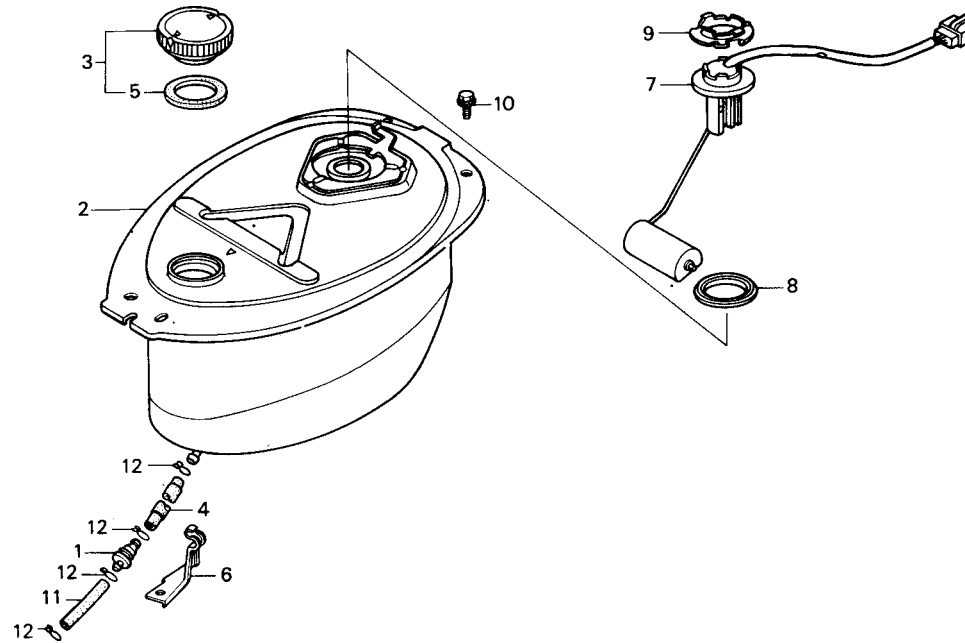
Rear Wheel



Service item	F.R.T.	No.	Part Number	Description	Q'ty	Notes
		16	90309-357-000	NUT, HEX., 8MM.	4	
		17	90753-GK4-003	OIL SEAL, 27X40X6 (ARAI)	1	
		18	94001-06000-0S	NUT, HEX., 6MM	1	
		19	94011-12000-0S	NUT, CASTLE, 12MM	1	
		20	94101-06000	WASHER, PLAIN, 6MM	1	
		21	94111-06000	WASHER, SPRING, 6MM	1	
		22	94201-30250	PIN, SPLIT, 3.0X25	1	
		23	96106-62030	BEARING, RADIAL BALL, 6203U	1	
		24	9610063010	BEARING, RADIAL BALL, 6301U	2	
		25	10-159	SPOKE SET 225I7	1	

F - 12

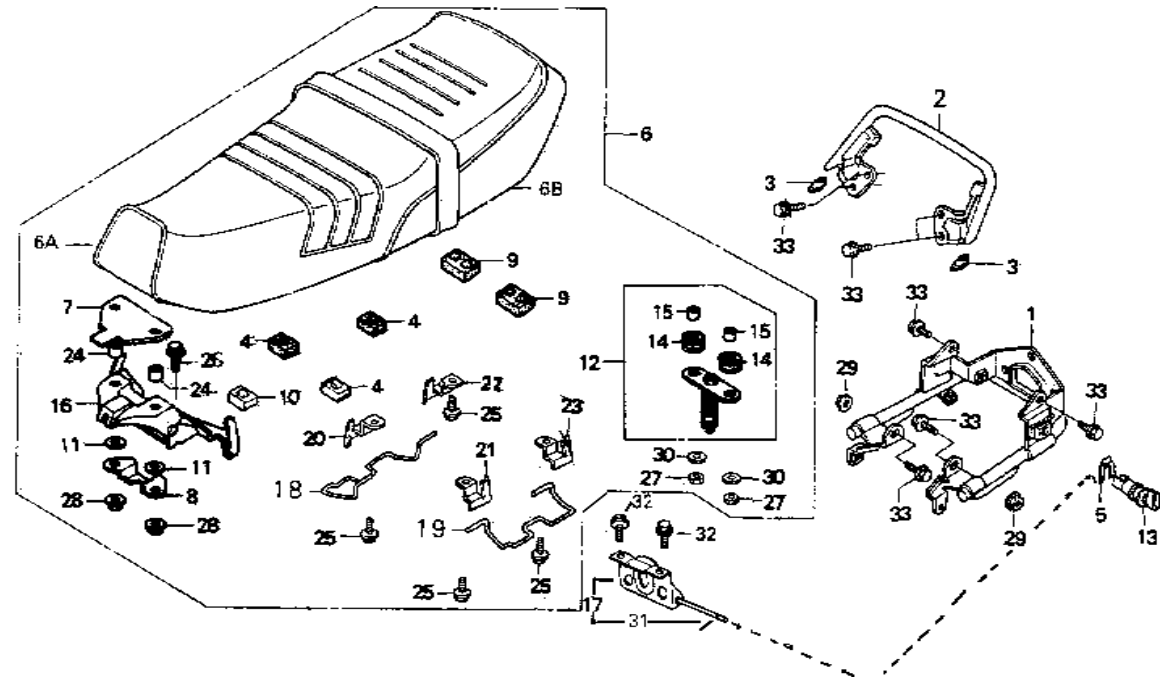
Fuel Tank



Service item	F.R.T.	No.	Part Number	Description	Q'ty	Notes
STRAINER COMP., FUEL	0.4	1	16910-GN5-911	STRAINER COMP.,	1	
TANK COMP., FUEL	0.5	2	17510-GN5-780FMB	TANK COMP., FUEL	1	
FUEL UNIT	0.3	3	17620-GA7-023	CAP, FUEL FILLER	1	
		4	17630-GS4-000	TUBE, FUEL, 5.3X440	1	
		5	17631-096-701	PACKING, FUEL FILLER CAP	1	
		6	17640-GN5-910	CLAFIPER, FUEL TUBE	1	
		7	37800-GN5-901	FUEL UNIT (NIPPON)	1	
		8	37801-GA7-700	PACKING, BASE	1	
		9	37802-GA7-700	RETAINER, FUEL UNIT	1	
		10	93401-06016-00	BOLT-WASHER, 6X16	2	
		11	95001-55050-40	TUBE, FUEL, 5.3x50	1	
		12	95002-02100	CLIP B10, TUBE	4	

F - 13

Seat

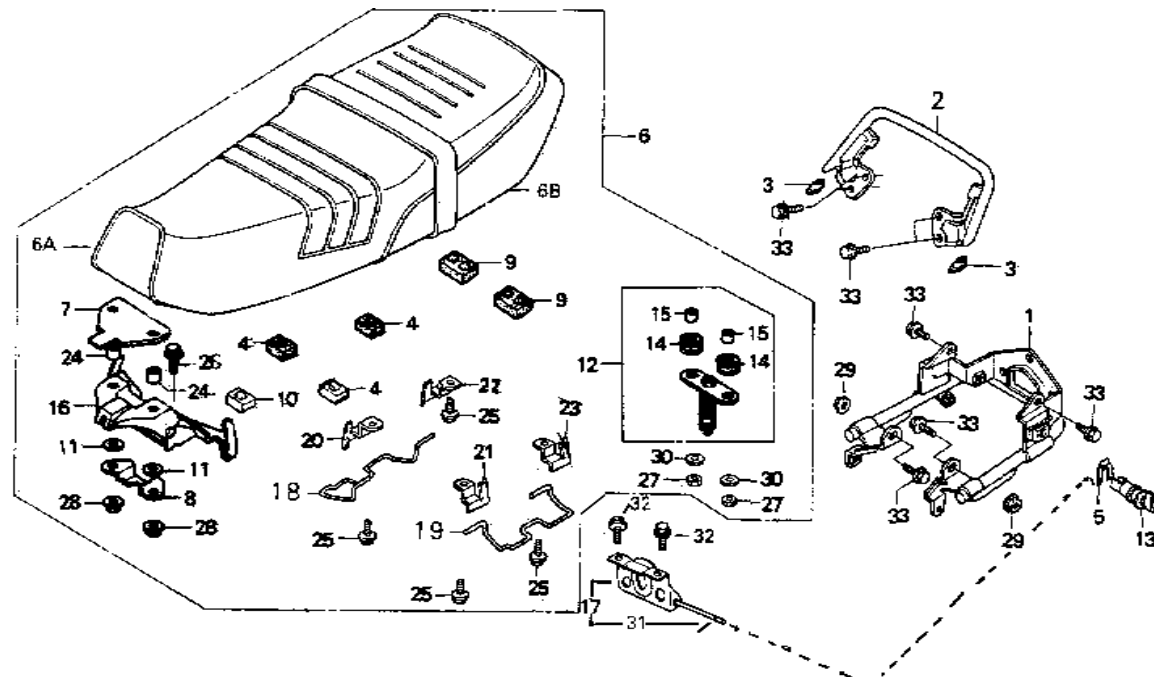


Service item	F.R.T.	No.	Part Number	Description	Q'ty	Notes
GRIP COMP., SIDE	0.3	1	50316-GBG-910	GRIP COMP., SIDE	1	
.CATCH COMP., SEAT		2	50410-KFV-860	GRIP COMP., RR	1	
GRIP COMP., RR	0.1	3	50415-GN5-F00	CAP, RR. GRIP END	1	
.SEAT ASSY., DOUBLE (INC. RELATIVE PART)		4	50524-001-000	RUBBER, MAIN STAND STOPPER	1	
.LOCK ASSY., SEAT		5	75581-GN8-920	SPRING, LOCK KEY SETTING	1	
.HINGE COMP., SEAT		6	77000-GN5-830	SEATASSY,DOUBLE	1	
		6A	77200-KFV-840	SEATCOMP,DOUBLE	1	
		6B	772A0- GN 5-830	SEAT COVER (Kulit saja)	1	
		7	77203-GN5-830	RUBBER, SEAT MOUNTING	1	
		8	77204-GN5-830	PLATE, SEAT HINGE SETTING	1	
		9	77205-GN5-900	RUBBER B, SEAT SFTTING	1	
		10	77206-GN5-830	RUBBER A, SEAT SETTING	1	
		11	77207-GN5-910	RUBBER B, SEAT MOUNTING	1	
		12	77220-GN5-830	BAR ASSY., SEAT LOCK	1	
		13	77220-KAN-900	LOCK ASSY., SEAT	1	
		14	77228-340-001	RUBBER, SEAT LOCK BAR CUSHION	1	
		15	77229-340-001	COLLAR, SEAT LOCK BAR	1	

15.01.2001

F - 13

Seat

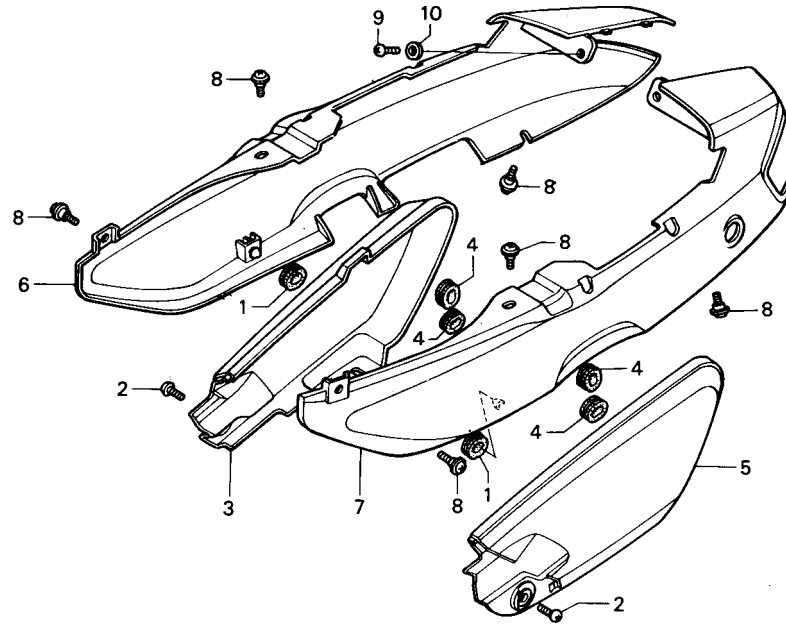


3

Service item	F.R.T.	No.	Part Number	Description	Q'ty	Notes
		16	77230-GN5-830	HINGE COMP., SEAT	1	
		17	77230-GN8-920	CATCH COMP., SEAT	1	
		18	77234-GN5-830	HOOK, R. ROPE	1	
		19	77235-GN5-830	HOOK, L. ROPE	1	
		20	77240-GN5-830	STAY, R. FR. ROPE HOOK	1	
		21	77241-GN5-830	STAY, L. FR. ROPE HOOK	1	
		22	77242-GN5-830	STAY, R. RR. ROPE HOOK	1	
		23	77243-GN5-830	STAY, L. RR. ROPE HOOK	1	
		24	77301-124-000	COLLAR, SEAT MOUNTING	1	
		25	92101-06010-0A	BOLT, HEX., 6X10	4	
		26	93481-06010-00	BOLT,WASHER, 6X16	2	
		27	94001-06000-05	NUT, HEX., 6MM	2	
		28	94050-06000	NUT, FLANGE, 6MM	2	
		29	94050-08000	NUT, FLANGE, 8MM	2	
		30	94103-06000	WASHER, PLAIN, 6MM		
		31	94305-25251	PIN, SPRING, 2X18	1	
		32	95701-06012-00	BOLT, FLANGE, 6X12	2	
		33	95701-08014-00	BOLT, FLANGE, 8X14	8	

F - 14

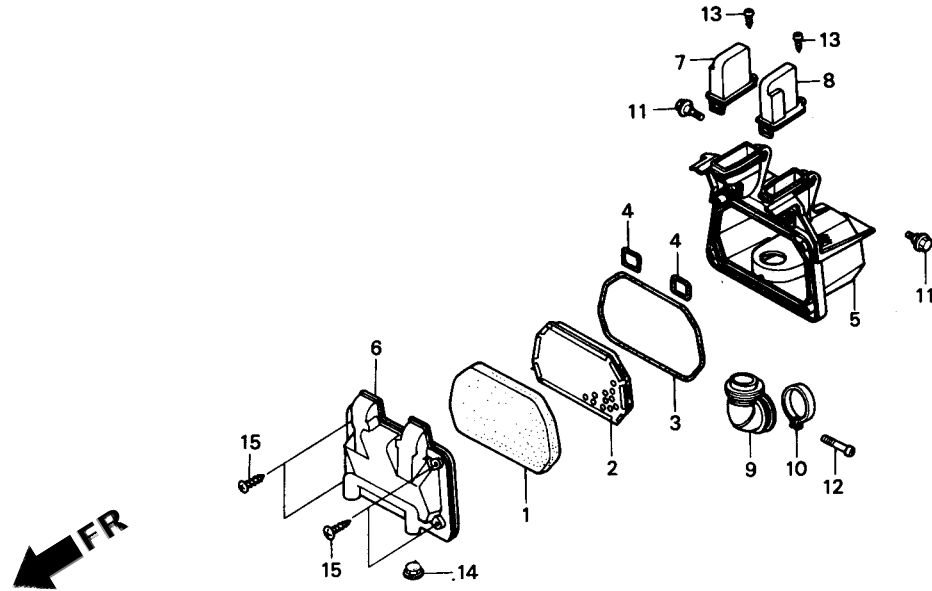
Side Cover



Service item	F.R.T.	No.	Part Number	Description	Q'ty	Notes
COVER, SIDE	0.1	1	64315-GB4-000	GROMMET, TOP COVER	1	
(ONE OR ALL)		2	64321-GN5-830	SCREW, FR,, COVER.	1	
.COVER, R. BODY		3	83500-KEV-840FMB	COVER, R. SIDE	1	
.COVER, L. BODY		4	83551-300-000	GROMMET, AIR CLEANER CASE	1	
		5	83600-KFV-840FMB	COVER, L. SIDE	1	
		6	87121-GBG-910FMB	COVER, R. BODY	1	
		7	87122-GBG-910FMB	COVER, L. BODY	1	
		8	91509-GN5-900	SCREW, PAN, 5X9	1	
		9	93500-06010-1A	SCREW, PAN, 6X10	1	
		10	94103-06000	WASHER, PLAIN, 6MM	1	

F - 15

Air Cleaner

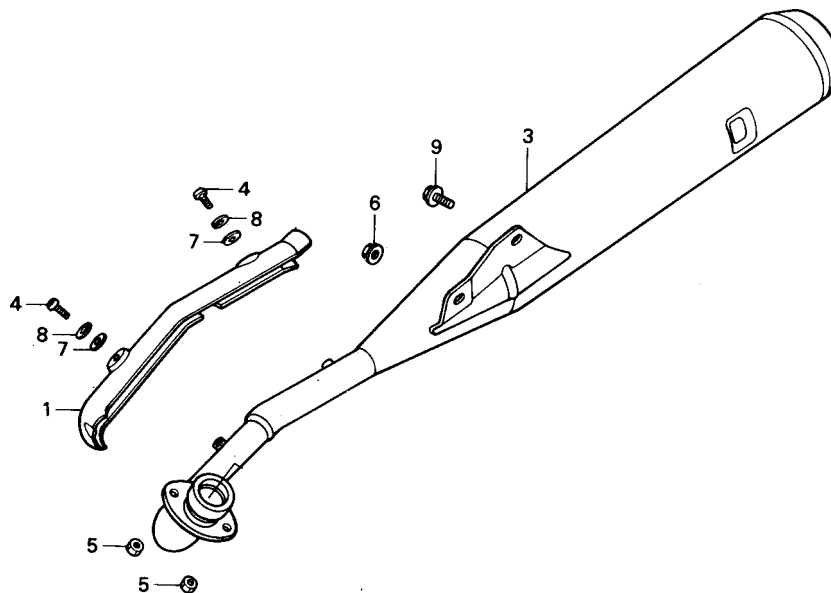


3

Service item	F.R.T.	No.	Part Number	Description	Q'ty	Notes
ELEMENT, AIR CLEANER	0.3	1	17205-GN5-900	ELEMENT, AIR CLEANER	1	
.TUBE, AIR CLEANER CONNECTING		2	17212-GN5-900	TRAP COMP., FRAME	1	
TRAP COMP., FRAME	0.2	3	17213-GN5-900	SEAL, AIR CLEANER COVER	1	
.COVER, AIR CLEANER CASE		4	17214-GN5-900	SEAL, AIR CLEANER CASE	1	
CASE, AIR CLEANER	0.4	5	17230-GN5-830	CASE,	1	
		6	17231-GN5-830	COVER, AIR CLEANER CASE	1	
		7	17233-GN5-900	CAP, R. DUCT	1	
		8	17234-GN5-900	CAP, L. DUCT	1	
		9	17253-GN5-900	TUBE, AIR CLEANER CONNECTING	1	
		10	17256-053-010	BAND B, AIR CLEANER CONNECTING TUBE	1	
		11	90116-ME9-000	BOLT, FLANGE,	2	
		12	93500-05020-0A	SCREW, PAN, 5X20	1	
		13	93901-24310	SCREW, TAPPING, 4X12	2	
		14	17232- GN5 -830	PLUG, A/C DRAIN	2	
		15	93903-2531U	SCREW, TAPPING, 5x16	4	

F - 16

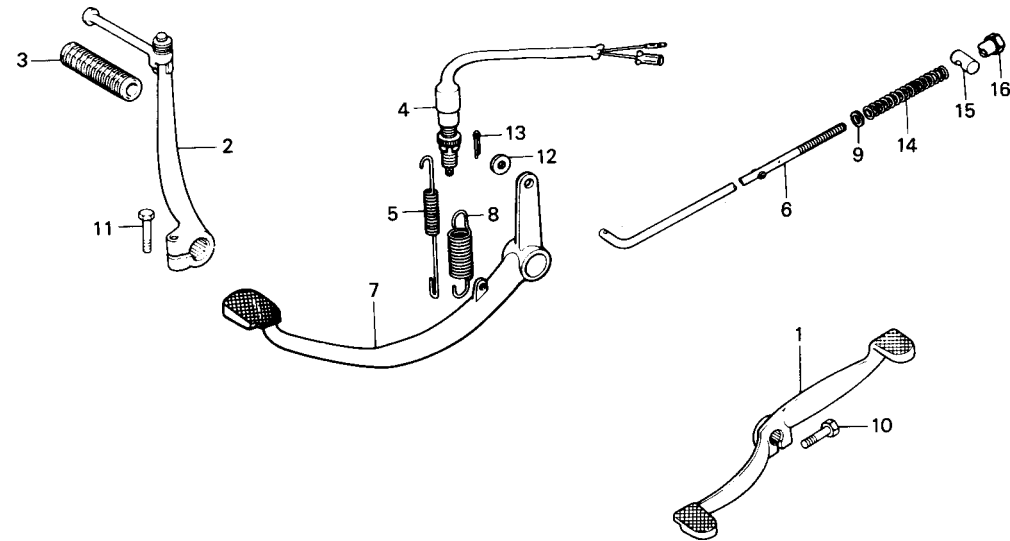
Exhaust Muffler



Service item	F.R.T.	No.	Part Number	Description	Q'ty	Notes
COVER, EX	0.1	1	18240-GN5-900	COVER, EX	1	
MUFFLER COMP., EX	0.2	3	18350-KFV-840	MUFFLER COMP.,EX	1	
		4	93500-05008-4J	SCREW, PAN, 5X8	2	
		5	94001-06000-OS	NUT, HEX., 6MM	2	
		6	94050-08000	NUT, FLANGE, 8MM	1	
		7	94101-05000	WASHER, PLAIN, 5MM	2	
		8	94111-05000	WASHER, SPRING, 5MM	2	
		9	95701-08016-00	BOLT, FLANGE, 8X16	1	

F - 17

Pedal/Kick Starter Arm

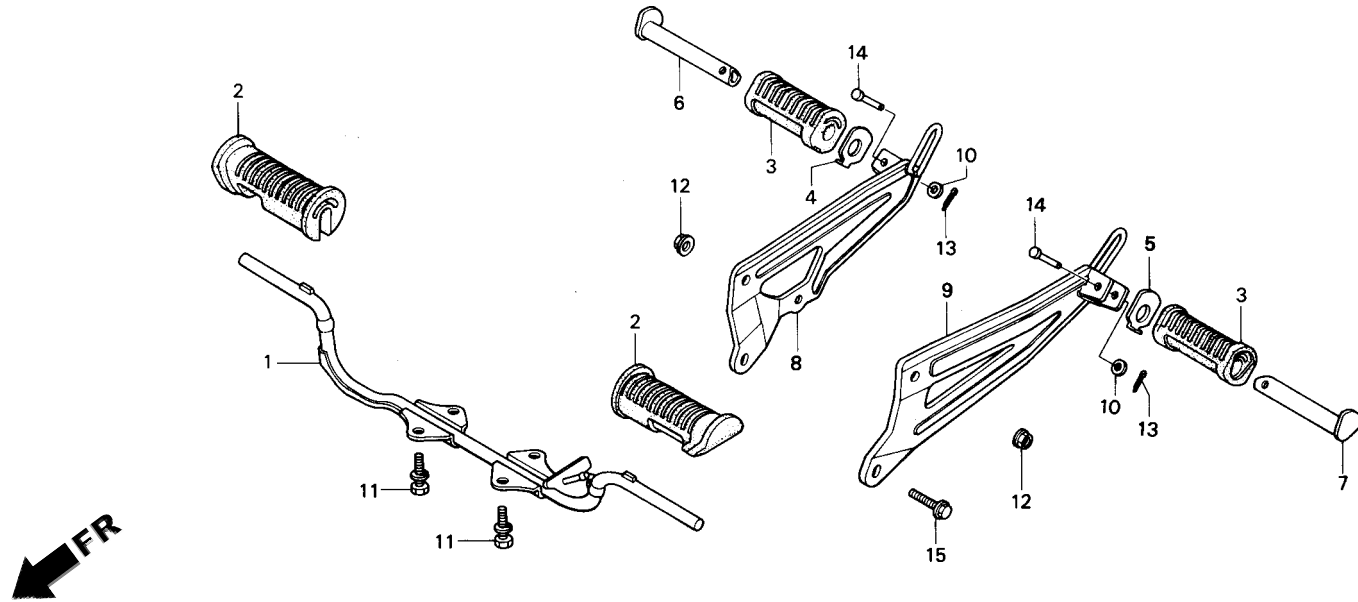


3

Service item	F.R.T.	No.	Part Number	Description	Q'ty	Notes
PEDAL, GEAR CHANGE	0.1	1	24701-GN5-830	PEDAL, GEAR CHANGE	1	
.ARM ASSY., KICK STARTER		2	28300-141-640	ARM ASSY., KICK STARTER	1	
SWITCH ASSY., STOP	0.2	3	28311-342-000	RUBBER, KICK STARTER	1	
ROD, RR. BRAKE	0.4	4	35350-292-003	SWITCH ASSY., STOP	1	
PEDAL COMP., BRAKE	0.5	5	35357-041-000	SPRING, STOP SWITCH	1	
		6	43451-GN5-830	ROD, fir. BRAKE	1	
		7	46500-KFV-840	PEDAL COMP., BRAKE	1	
		8	46514-086-720	SPRING, BRAKE PEDAL	1	
		9	90502-GN5-920	WASHER, 11MM	1	
		10	92101-06020-0A	BOLT, HEX., 6X20	1	
		11	92101-06022-0A	BOLT, HEX., 6X22	1	
		12	94101-05000	WASHER, PLAIN, 5MM	1	
		13	94201-20150	PIN, SPLIT, 2.0X15	1	
		14	95014-73100	SPRING A, BRAKE ROD	1	
		15	95015-32001	JOINT B, BRAKE ARM	1	
		16	95015-42000	NUT B, BRAKE ROD ADJUSTING	1	

F - 18

Step

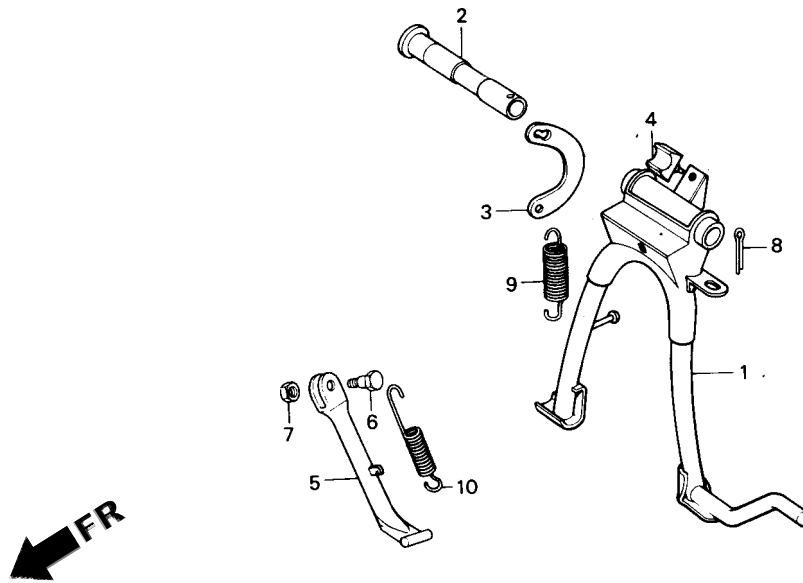


Service item	F.R.T.	No.	Part Number	Description	Q'ty	Notes
BAR COMP., STEP	0.3	1	50610-KFV-840	BAR COMP., STEP	1	
RUBBER, STEP	0.1	2	50661-GN8-F00	RUBBER, STEP	2	
(ONE OR ALL)						
.BAR, R. PILLION STEP		3	50710-GN5-830	RUBBER, PILLION STEP	2	
(INC. RELATIVE PART)		4	50711-GN5-830	PLATE, P. PILLION STEP	1	
.BAR, L. PILLION STEP		5	50712-GN5-830	PLATE, L. PILLION STEP	1	
(INC. RELATIVE PART)		6	50713-GN5-830	BAR, R. PILLION STEP	1	
BRACKET, R. PILLION STEP	0.2	7	50714-GN5-830	BAR, L. PILLION STEP	1	
.BRACKET, L. PILLION STEP		8	50715-GN5-830ZA	BRACKET, R. PILLION STEP	1	
		9	50716-GN5-830ZA	BRACKET, L. PILLION STEP	1	
		10	90502-GN5-830	WASHER, SPECIAL, 6MM	2	
		11	93402-08020-00	BOLT-WASHER, 8X20	4	
		12	94050-10000	NUT, FLANGE, 10MM	2	
		13	94201-16150	PIN, SPLIT, 1.6X15	2	
		14	95015-81000	PIN A, PILLION STEP	2	
		15	95701-08016-00	BOLT, FLANGE, 8X16	1	

15.01.2001

F - 19

Stand

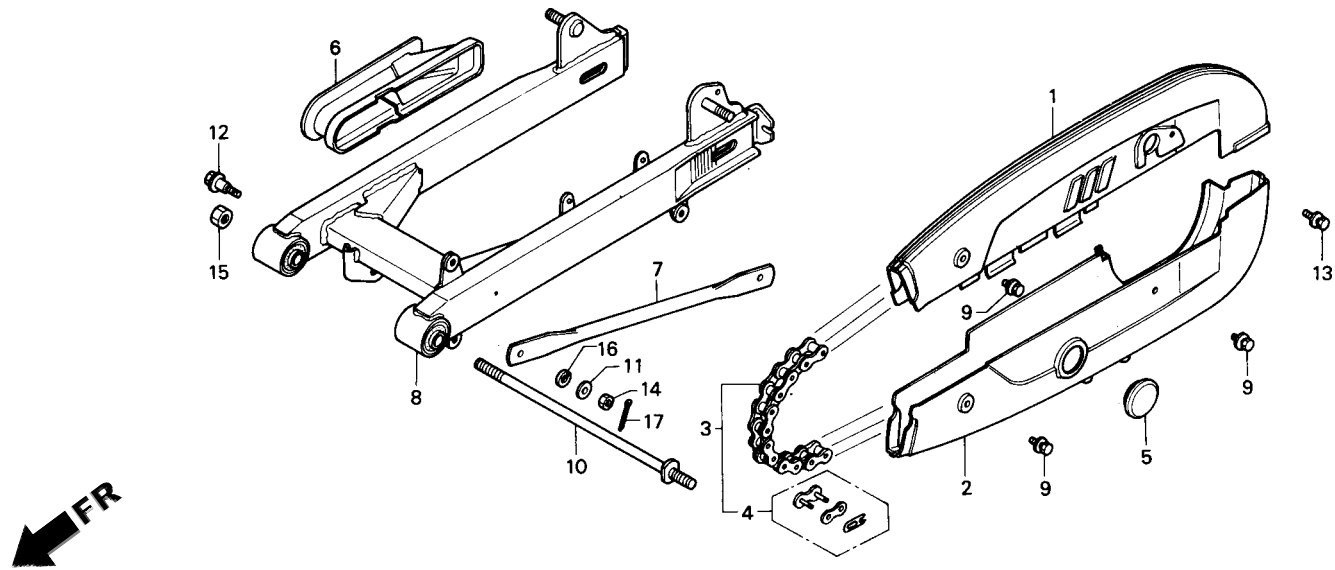


3

Service item	F.R.T.	No.	Part Number	Description	Q'ty	Notes
STAND COMP., MAIN	0.4	1	50500-GN5-830	STAND COMP., MAIN	1	
.PIPE, RR. BRAKE PIVOT		2	50512-087-820	PIPE, RR. BRAKE PIVOT	1	
HOOK, MAIN STAND SPRING	0.2	3	50523-041-000	HOOK, MAIN STAND SPRING	1	
.BAR COMP., SIDE STAND		4	50524-397-000	RUBBER, STAND STOPPER	1	
SPRING D, MAIN STAND	0.1	5	50530-GN5-830	BAR COMP., SIDE STAND	1	
		6	90108-223-000	SCREW, SIDE STAND PIVOT	1	
		7	94002-10000-0S	NUT, HEX., 10MM	1	
		8	94201-30250	PIN, SPLIT, 3.0X25	1	
		9	95014-71402	SPRING D, MAIN STAND	1	
		10	95014-72102	SPRING A, SIDE STAND	1	

F - 20

Rear Fork/Chain Case

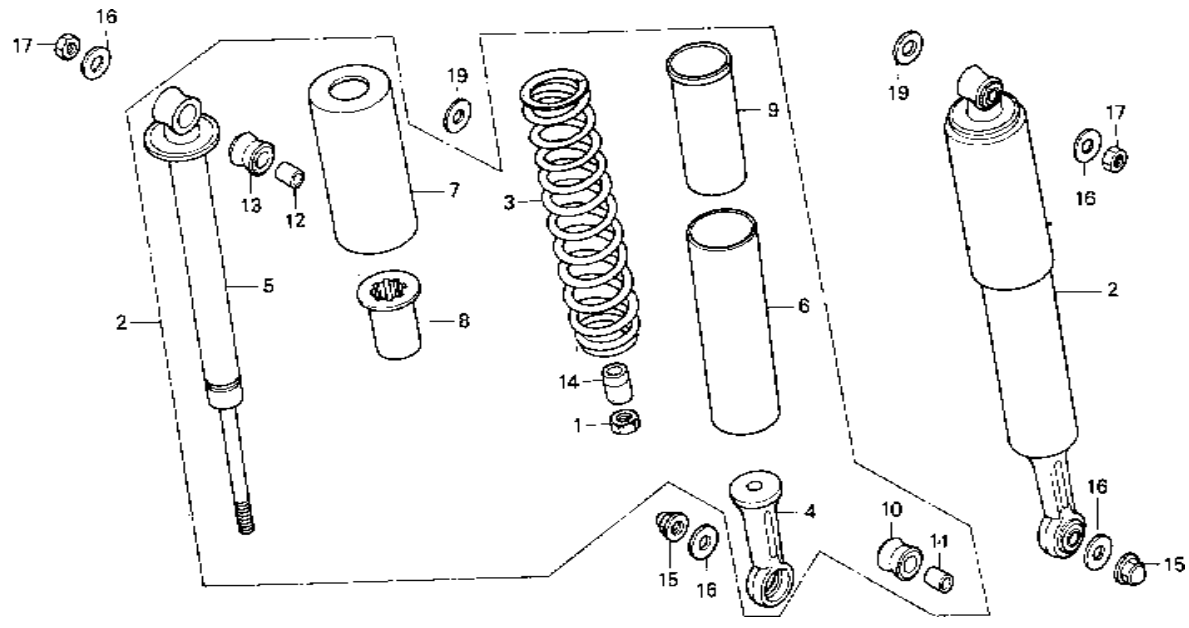


Service item	F.R.T.	No.	Part Number	Description	Q'ty	Notes
CASE, UPPER HALF DRIVE CHAIN ... (ONE OR ALL)	0.1	1	40510-GBG-660FMH	CASE, UPPER HALF DRIVE CHAIN	1	
CHAIN, DRIVE	0.3	2	40520-GBG-660FMH	CASE, UNDER HALF DRIVE CHAIN	1	
.ARM, RR. BRAKE STOPPER		3	HC428-96L	CHAIN, DRIVE	1	
FORK ASSY., RR	0.7	4	40531-205-013	JOINT, DRIVE CHAIN	1	
		5	40545-001-000	CAP, CHAIN CASE PEEP HOLE	1	
		6	40591-GN5-830	PACKING, DRIVE CHAIN CASE	1	
		7	43431-GN5-830	ARM, RR. BRAKE STOPPER	1	
		8	52100-GN5-830ZB	SWING ARM, COMP	1	
		9	90118-383-000	BOLT-WASHER, 6X6	3	
		10	90120-GN5-830	BOLT, RR. FORK PIVOT	1	
		11	90505-425-000	WASHER, 8MM	1	
		12	92812-10000	BOLT A, STOPPER ARM	1	
		13	93081-06010-00	BOLT-WASHER, 6X10	1	
		14	94001-08000-OS	NUT, HEX., 8MM	1	
		15	94002-10000-OS	NUT, HEX., 10MM 1 1	1	
		16	94111-10000	WASHER, SPRING, 10MM	1	
		17	94201-20150	PIN, SPLIT, 2.0X15	1	

15.01.2001

F - 21

Rear Cushion

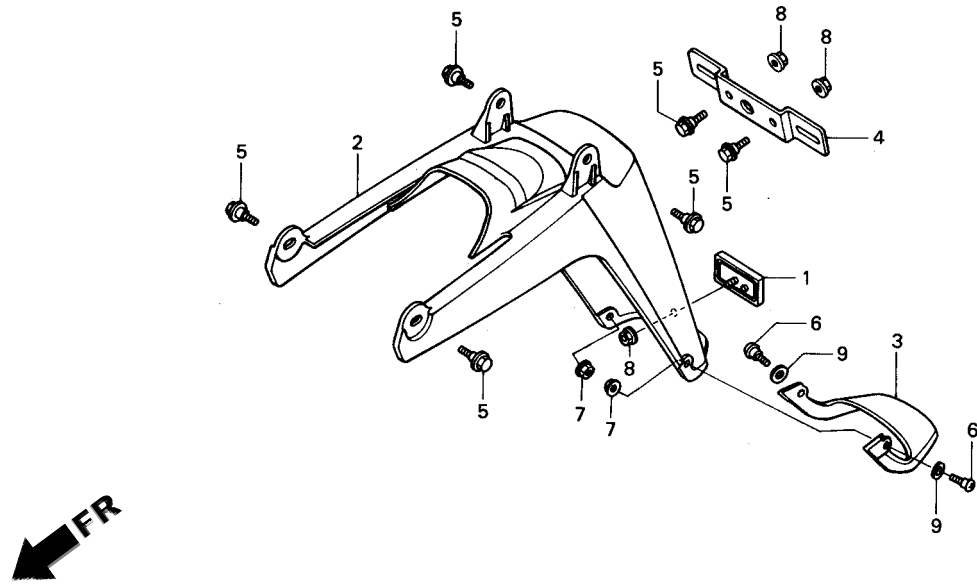


3

Service item	F.R.T.	No.	Part Number	Description	Q'ty	Notes
CUSHION ASSY., RR.	0.2	1	51413-GB4-003	NUT, LOCK, 8MM	2	
(ONE OR ALL)						
DAMPER COMP., RR.	0.4	2	52400-GN5-831	CUSHION ASSY., RR. (SHOWA)	2	
(ADD 0.2 FOR EACH)						
(INC. RELATIVE PART)						
		3	52401-GN5-831	SPRING, RR. CUSHION	2	
		4	52404-459-881	METAL, RR. CUSHION BOTTOM	2	
		5	52410-GNS-831	DAMPER COMP., RR	2	
		6	52423-GN5-831	CASE, RR. CUSHION UNDER	2	
		7	52460-GN5-831	CASE, RR. CUSHION UPPER	2	
		8	52462-GN5:831	GUIDE, SPRING	2	
		9	52476-GN5-901	GUIDE, SPRING	2	
		10	52485-GA7-003	BUSH, RUBBER	2	
		11	52486-GA7-003	COLLAR, RUBBER BUSH	2	
		12	52486-056-000	COLLAR, RR. CUSHION RUBBER BUSH	2	
		13	52489-399-601	BUSH, UPPER RUBBER	2	
		14	52517-178-003	RUBBER, STOPPER	2	
		15	90202-329-000	NUT, FLANGE CAP, 10MM	2	
		16	90528-230-000	WASHER, 10.2X20	4	
		17	94001-10000-OS	NUT, HEX., 10MM	2	
		19	94101-12000	WASHER, PLAIN, 12MM	2	

F - 22

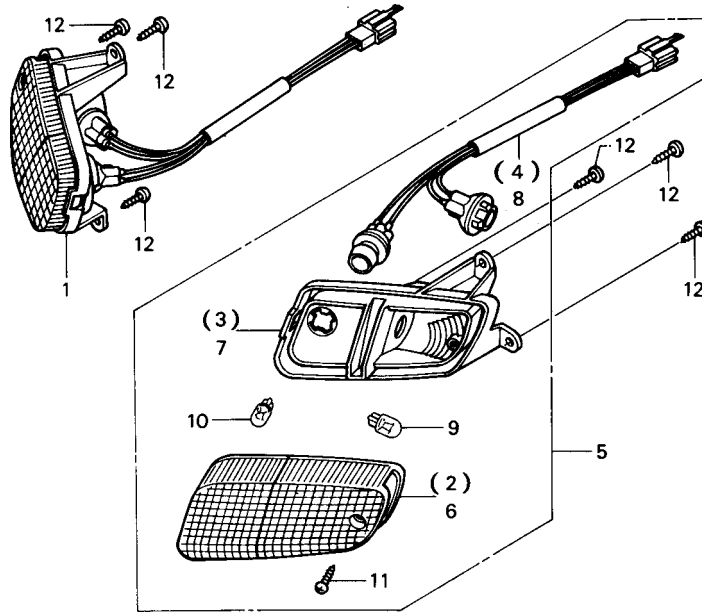
Rear Fender



Service item	F.R.T.	No.	Part Number	Description	Q'ty	Notes
FENDER, RR.	0.3	1	33741-KEV-950	REFLECTOR, RR. REFLEX	1	
MUDGUARD, RR. FENDER	0.1	2	80100-KFV-940FMB	FENDER, RR. *NH1*	1	
		3	80110-GN5-830	MUDGUARD,RRFENPER	1	
		4	84701-GN5-780	BRACKET. NUMBER PLATE	1	
		5	90111-162-000	BOLT,FLANGE,GMM	1	
		6	90300-GB0-900	BOLT, MUDGUARD	1	
		7	94050-04080	NUT, FLANGE, 4MM	1	
		8	94050-06000	NUT, FLANGE, 6MM	1	
		9	94101-06700	WASHER, PLAIN, 6MM	1	

F - 23

Front Winker

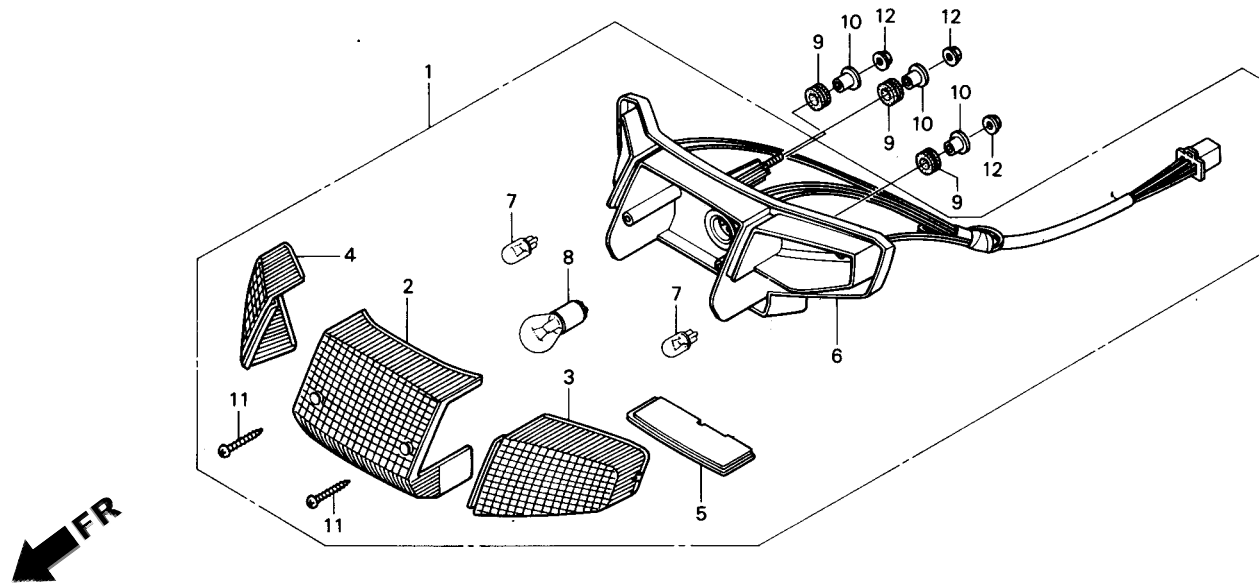


3

Service item	F.R.T.	No.	Part Number	Description	Q'ty	Notes
WINKER ASSY., FR	0.2	1	33400-KFV-840	WINKER ASSY., R. FR. (12V IOW) (1)(I)	1	
(ADD 0.1 FOR EACH)		2	33402-KFV-840	LENS COMP., R.. WINKER	1	
(INC. RELATIVE PART)		3	33403-GN5-831	BASE, R. WINKER	1	
.CORD COMP., R. WINKER		4	33410-GN5-830	CORD COMP., R. WINKER	1	
CORD, COMP., L. WINKER		5	33450-KFV-840	WINKER ASSY., L. FR. (12V10W)	1	
BULB, WINKER	0.1	6	33452-KFV-840	LENS COMP., L. WINKER	1	
(ONE OR ALL)		7	33453-GN5-831	BASE, L. WINKER	1	
		8	33460-GN5-830	CORD COMP., L. WINKER	1	
		9	34905-KAN-W01	BULB, WINKER (12V IOW)	1	
		10	34908-GA7-701	BULB, WEDGE BASE (12V 3.4W)	1	
		11	93901-24480	SCREW, TAPPING, 4X16	1	
		12	93903-24210	SCREW, TAPPING, 4X10	1	

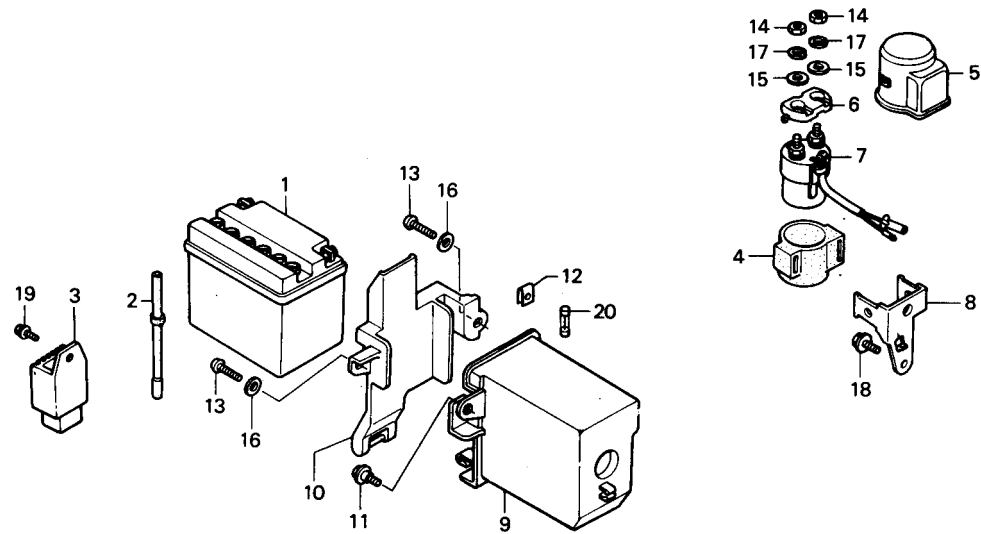
F - 24

Rear Combination Lightr



Service item	F.R.T.	No.	Part Number	Description	Q'ty	Notes
LIGHT ASSY., RR. COMBINATION	0.3	1	33700-KFV-840	LIGHT ASSY., RR. COMBINATION (12V 18/SW)	1	
BASE COMP., RR. COMBINATION	0.4	2	33701-GN5-831	LENS, TAILLIGHT	1	
BULB, WINKER	0.1	3	33702-GN5-831	LENS, R. WINKER	1	
(ONE OR ALL)		4	33703-GN5-831	LENS, L. WINKER	1	
		5	33704-GN5-831	LENS, LICENSE	1	
		6	33705-GN5-831	BASE COMP., RR. COMBINATION	1	
		7	34905-GM9-003	BULB, WINKER (12V IOW)	2	
		8	34906-GB6-92I	BULB, TAILLIGHT (12V 18/5W)	1	
		9	50451-GB6-920	RUBBER, TAILLIGHT SETTING	3	
		10	61104-GN5-830	COLLAR, TAILLIGHT	3	
		11	93901-24480	SCREW, TAPPING, 4X16	2	
		12	94050-05000	NUT, FLANGE, 5MM	3	

F - 25 Battery

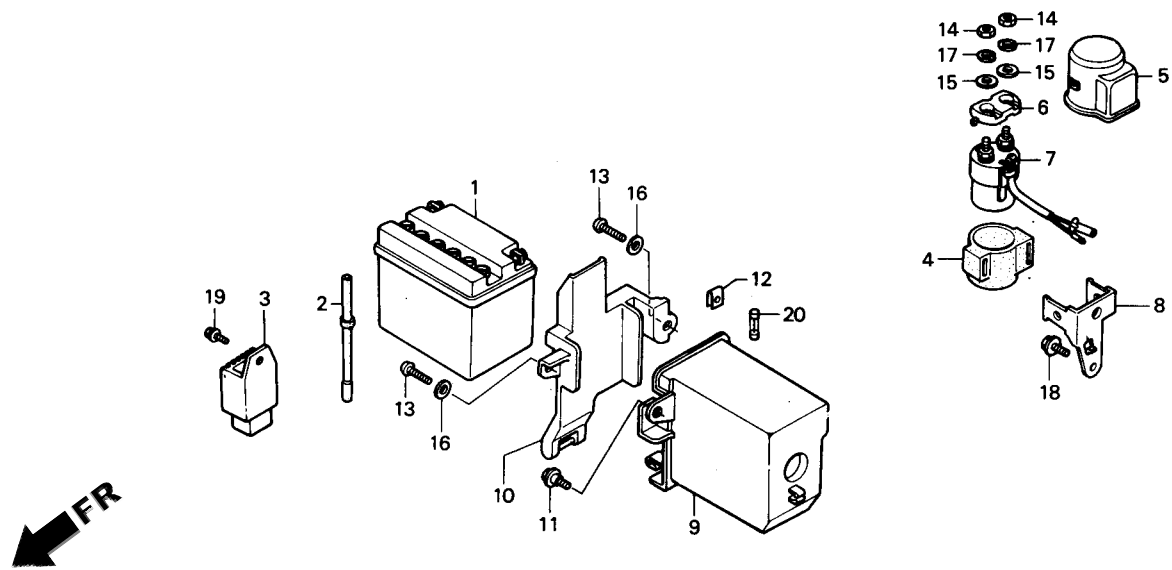


3

Service item	F.R.T.	No.	Part Number	Description	Q'ty	Notes
BATTERY ASSY	0.2	1	35100-GN5-FM0	BATTERY ASSY. (YB5L-B)	1	
RECTIFIER COMP., REGULATE	0.4	2	31502-GB4-680	TUBE, BATTERY BREATHER	1	
SWITCH COMP., STARTER		3	31600-GAZ-980	RECTIFIER COMP., REGULATE	1	
MAGNETIC	0.3	4	35856-GN5-830	RUBBER, SHOCK .	1	
		5	35857-GN5-970	COVER, STARTER MAGNETIC SWITCH	1	
		6	35858-GN5-970	GUIDE, STARTER MAGNETIC SWITCH	1	
		7	35860 GBG-910	SWITCH COMP., STARTER MAGNETIC	1	
		8	38505-GBG-910	STAY, STARTER MAGNETIC SWITCH	1	
		9	50380-GN5-830	CASE, BATTERY	1	
		10	50381-GN5-900	BAND, BATTERY CASE	1	
		11	90111-162-000	BOLT, FLANGE, 6MM	1	
		12	90344-GM9-000	NUT, CLIP, 6MM	1	
		13	93500-06020-0H	SCREW, . PAN, 6X20	2	
		14	94002-06080-0S	NUT, HEX., 6MM	2	
		15	94101-06800	WASHER, PLAIN, 6MM	2	

F - 25

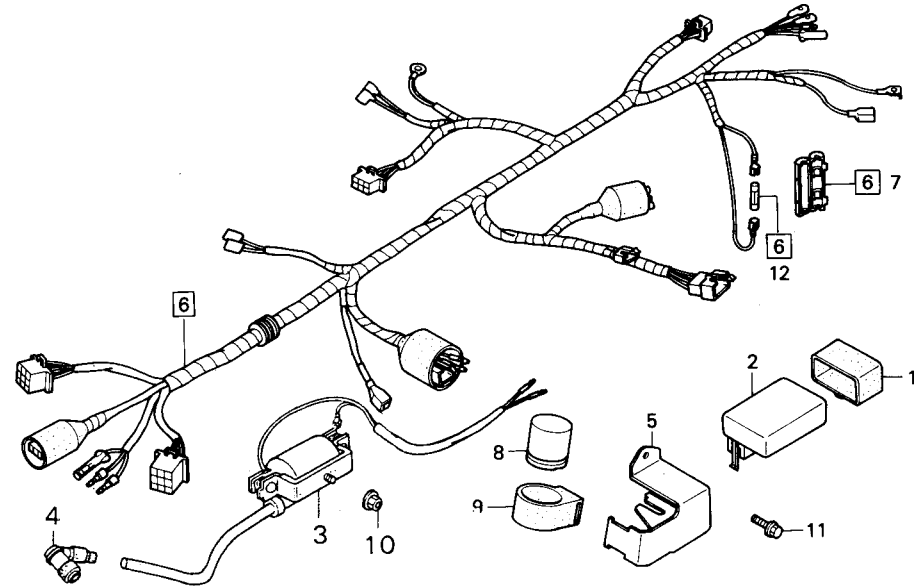
Battery



Service item	F.R.T.	No.	Part Number	Description	Q'ty	Notes
		16	94103-06800	WASHER, PLAIN, 6MM	2	
		17	94111-06800	WASHER, SPRING, 6MM	2	
		18	95701-06010-08	BOLT, FLANGE, 6X10	1	
		19	95701-06016-00	BOLT, FLANGE, 6X16	1	
		20	98200-11000	FUSE A (10A)	1	

F - 26

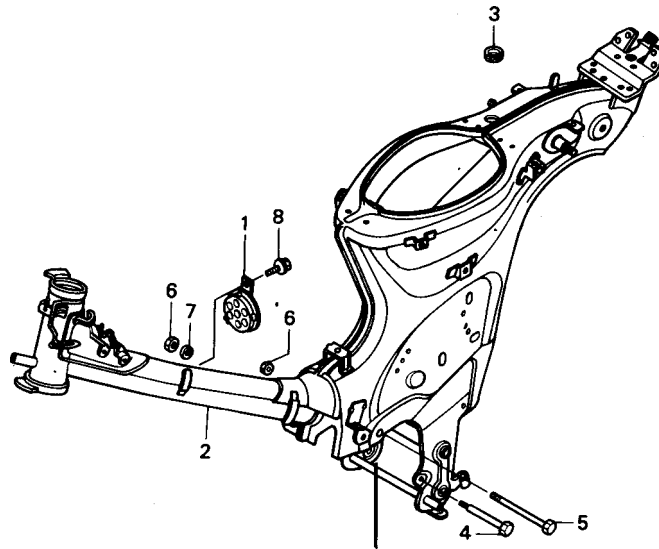
Wire Harness/Ignition Coil



3

Service item	F.R.T.	No.	Part Number	Description	Q'ty	Notes
UNIT COMP., C.D.I	0.4	1	30401-GN5-830	CUSHION, C.D.I. UNIT	1	
COIL ASSY., C.D.I. IGNITION	0.6	2	30410-GN5-831	UNIT COMP., C.D.I	1	
HARNESS, WIRE	1.2	3	30500-GN5-830	COIL ASSY., C.D.I	1	
RELAY COMP., WINKER	0.2	4	30700-GN5-961	CAP ASSY., NOISE	1	
		5	31605-GN5-830	STAY, C.D.I. UNIT	1	
		6	32100-KFV-840	HARNESS, WIRE	1	
		7	32113-230-003	CASE, FUSE CONNECTOR	1	
			32113-230-004	CASE, FUSE CONNECTOR	1	
			32114-230-003	CASE, FUSE CONNECTOR	1	
		8	38301-GBG-910	RELAY COMP., WINKER	1	
		9	38306-KJ6-740	SUSPENSION, WINKER RELAY	1	
		10	94050-06000	NUT, FLANGE, 6MM	1	
		11	95701-06010-08	BOLT, FLANGE, 6X10	1	
		12	98200-11000	FUSE A (10A)	1	

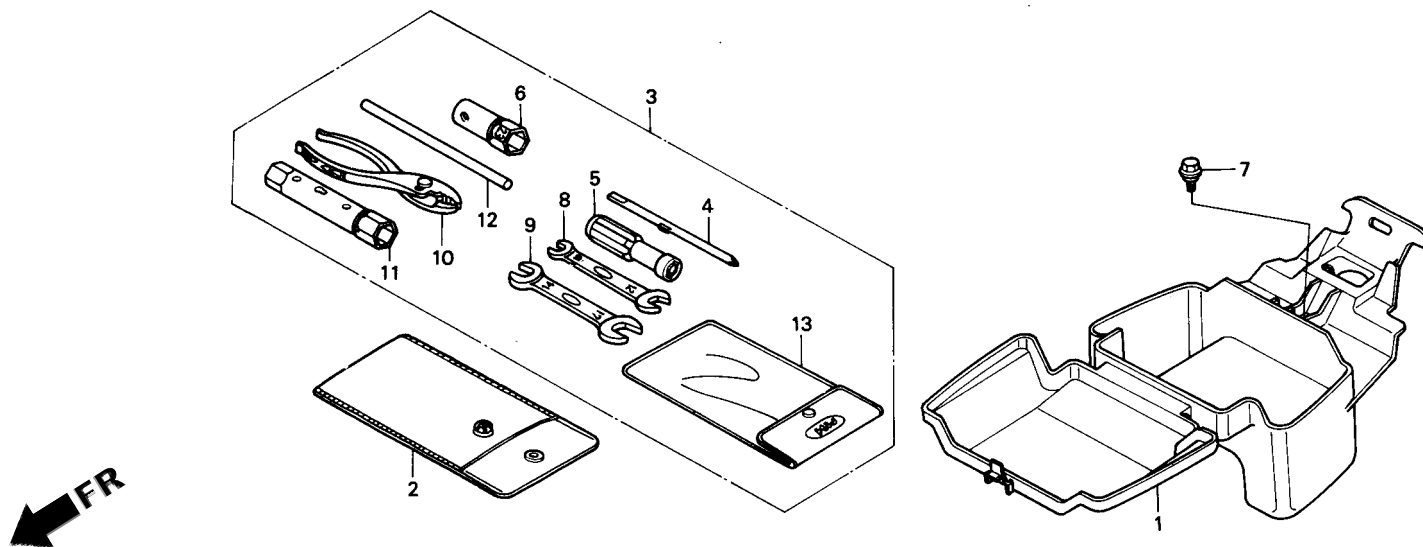
F - 27
Frame Body



Service item	F.R.T.	No.	Part Number	Description	Q'ty	Notes
HORN COMP	0.1	1	38110-GN5-961	HORN COMP.	1	
BODY COMP., FRAME	*5.0	2	50100-GN5-840FMB	BODY COMP., FRAME	1	
		3	50105-GN5-830	GROMMET, CORD	1	
		4	90116-001-010	BOLT, RR. ENGINE UNDER	1	
		5	90120-198-000	BOLT, HEX., 8X120	1	
		6	94030-08000	NUT, HEX., 8MM	2	
		7	94111-08000	WASHER, SPRING, 8MM	1	
		8	95701-06012-00	BOLT, FLANGE, 6X12	1	

F - 28

Tools/Tool Box

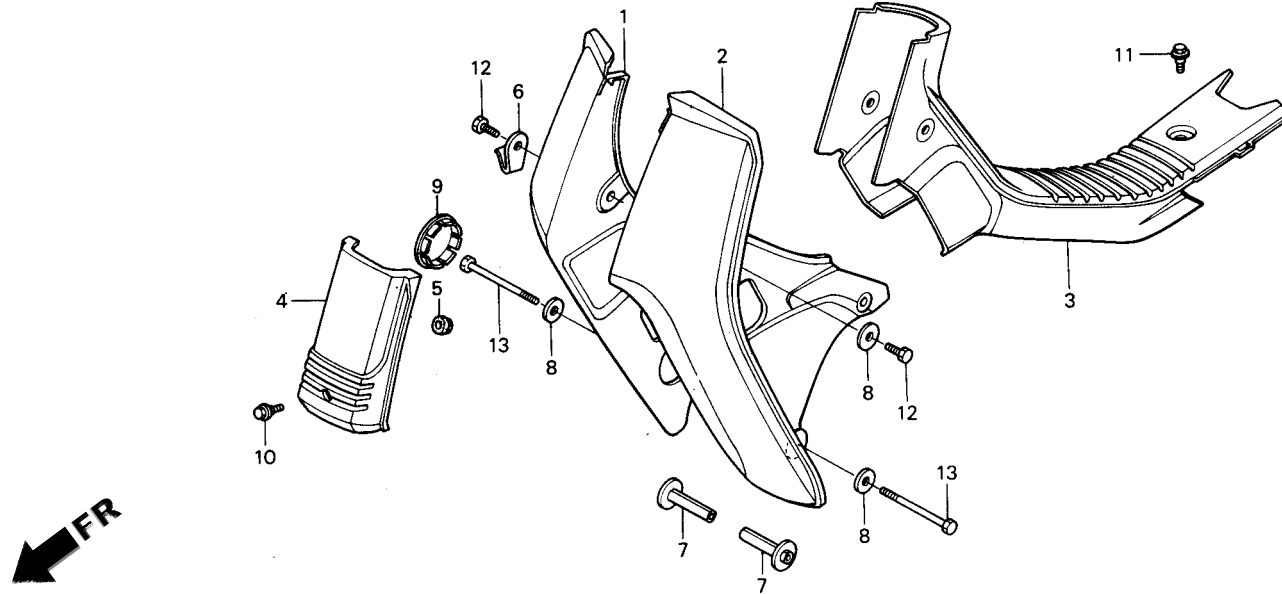


3

Service item	F.R.T.	No.	Part Number	Description	Q'ty	Notes
BOX TOOL	0.1	1	80120-GN5-830	BOX, TOOL	1	
		2	83642-171-000	BAG, OWNERS MANUAL	1	
		3	89010-GN8-920	TOOL SET	1	
		4	89102-538-000	SHAFT, SCREW DRIVER	1	
		5	89103-538-000	GRIP	1	
		6	89214-041-000	WRENCH, BOX, 23MM	1	
		7	90111-162-000	BOLT, FLANGE, 6MM	1	
		8	99001-10120	SPANNER, 10X12	1	
		9	99001-14170	SPANNER, 14X17	1	
		10	99002-13500	PLIERS, 135	1	
		11	99004-16170	WRENCH, BOX, P16X17	1	
		12	99005-02000	BAR B, HANDLE	1	
		13	99008-01600	BAG, TOOL, 160MM	1	

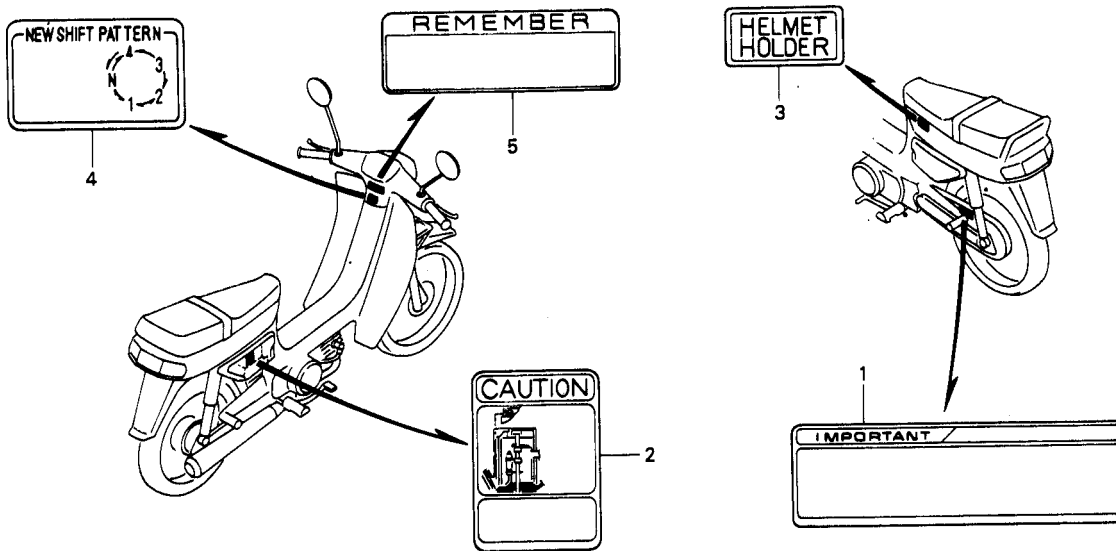
F - 30

Front Cover



Service item	F.R.T.	No.	Part Number	Description	Q'ty	Notes
COVER, FR	0.2	1	64301-KFV-840	COVER, R. FR. *NH138*	1	
(ONE OR ALL)		2	64302-KFV-840	COVER, L. FR. *NH138*	1	
COVER, MAIN PIPE	0.1	3	64303-GN5-830ZA	COVER, MAIN PIPE *NH1*	1	
.COVER, FR. TOP		4	64310-GBG-930FMB	COVER, FR. TOP *NHI*	1	
		6	64341-GN5-960	HOOK, FR. COVER	1	
		7	64345-KFV-840	COLLAR, FR. COVER SETTING	2	
		8	64347-001-000	WASHER, FR. COVER SETTING	3	
		9	64365-040-000ZC	CAP, FR. COVER *NH138*	1	
		10	90103-GN5-630	BOLT, FR. TOP COVER SETTING.	1	
		11	90107-KW7-930	BOLT, COWL SETTING	1	
		12	92101-06018-0A	BOLT, HEX., 6X18	2	
		13	92201-06070-0A	BOLT, HEX., 6X70	2	

F - 31
Caution Label

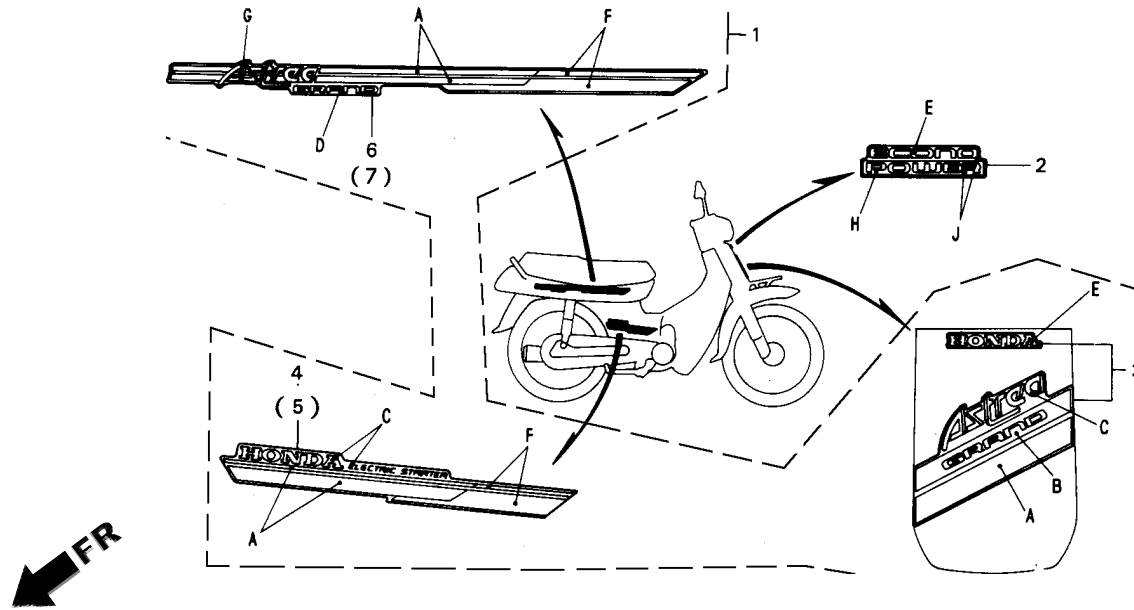


3

Service item	F.R.T.	No.	Part Number	Description	Q'ty	Notes
		1	87505-KFV-840	MARK, TIRE CAUTION	1	
		2	87506-GN5-111	MARK, BATTERY CAUTION	1	
		3	87511-323-670	LABEL, HELMET HOLDER	1	
		4	87512-GN8-111	LABEL, SHIFT PATTERN	1	
		5	87560-KC5-920	MARK, DRIVE CAUTION *TYPEW*..	1	

F - 32

Stripe



Service item	F.R.T.	No.	Part Number	Description	Q'ty	Notes
		1	871X0-KFV-841ZA	STRIPE SET *TYPE1* (RED)	1	
			871X0-KFV-841ZB	STRIPE SET *TYPE2* (BLUE)	1	
			871X0-KFV-841ZC	STRIPE SET *TYPE3* (VIOLET)	1	
		2	87102-GN5-830	MARK, FR. COVER	1	
		3	87101-KFV-840ZA	STRIPE, FR. TOP COVER *TYPE1*	1	
			87101-KFV-840ZB	STRIPE, FR. TOP COVER *TYPE2*	1	
			87101-KFV-840ZC	STRIPE, FR. TOP COVER *TYPE3*	1	
		4	87103-KFV-840ZA	STRIPE, R. SIDE COVER *TYPE1*	1	
			87103-KFV-840ZB	STRIPE, R. SIDE COVER *TYPE2*	1	
			87103-KFV-840ZC	STRIPE, R. SIDE COVER *TYPE3*	1	
		5	87104-KFV-840ZA	STRIPE, L. SIDE COVER *TYPE1*	1	
			87104-KFV-840ZB	STRIPE, L. SIDE COVER *TYPE2*	1	
			87104-KFV-840ZC	STRIPE, L. SIDE COVER *TYPE3*	1	
		6	87105-KFV-840ZA	STRIPE, R. BODY COVER *TYPE1*	1	
			87105-KFV-840ZB	STRIPE, R. BODY COVER *TYPE2*	1	
			87105-KFV-840ZC	STRIPE, R. BODY COVER *TYPE3*	1	
		7	87106-KFV-840ZA	STRIPE, L. BODY COVER *TYPE1*	1	
			87106-KFV-840ZB	STRIPE, L. BODY COVER *TYPE2*	1	
			87106-KFV-840ZC	STRIPE, L. BODY COVER *TYPE3*	1	

15.01.2001